



US00D812768S

(12) **United States Design Patent**
Ranalletta

(10) **Patent No.:** **US D812,768 S**
(45) **Date of Patent:** **** Mar. 13, 2018**

(54) **WORK STATION WITH PLATFORM FOR MEDICAL DOSE PREPARATION**

- (71) Applicant: **Baxter Corporation Englewood**, Englewood, CO (US)
- (72) Inventor: **Joseph V. Ranalletta**, Englewood, CO (US)
- (73) Assignee: **BAXTER CORPORATION ENGLEWOOD**, Englewood, CO (US)
- (**) Term: **15 Years**
- (21) Appl. No.: **29/565,507**
- (22) Filed: **May 20, 2016**

Related U.S. Application Data

- (63) Continuation of application No. 14/438,559, filed as application No. PCT/US2013/032545 on Mar. 15, 2013, now Pat. No. 9,375,079.
- (51) **LOC (11) Cl.** **24-02**
- (52) **U.S. Cl.**
USPC **D24/227**
- (58) **Field of Classification Search**
USPC D24/107, 216, 227, 232, 222, 233, 234;
D7/300, 309, 312, 313, 306, 590;
D26/24, 61-66, 107
(Continued)

(56) **References Cited**

U.S. PATENT DOCUMENTS

- 641,748 A * 1/1900 Smith F16M 11/12
248/124.1
- 4,414,566 A 11/1983 Peyton et al.
(Continued)

FOREIGN PATENT DOCUMENTS

- GB 994977 6/1965
 - JP 7-204253 A 8/1995
- (Continued)

OTHER PUBLICATIONS

Phillips, Jon, Associate Director of Telemedicine; "Telepharmacy at Texas Tech," presented Apr. 30, 2003, published at <http://www.ttuhs.edu/telemedicine/publication.htm> at least by Jun. 22, 2003.
(Continued)

Primary Examiner — Susan Bennett Hattan
Assistant Examiner — Rebecca Tsehaye
(74) *Attorney, Agent, or Firm* — K&L Gates LLP

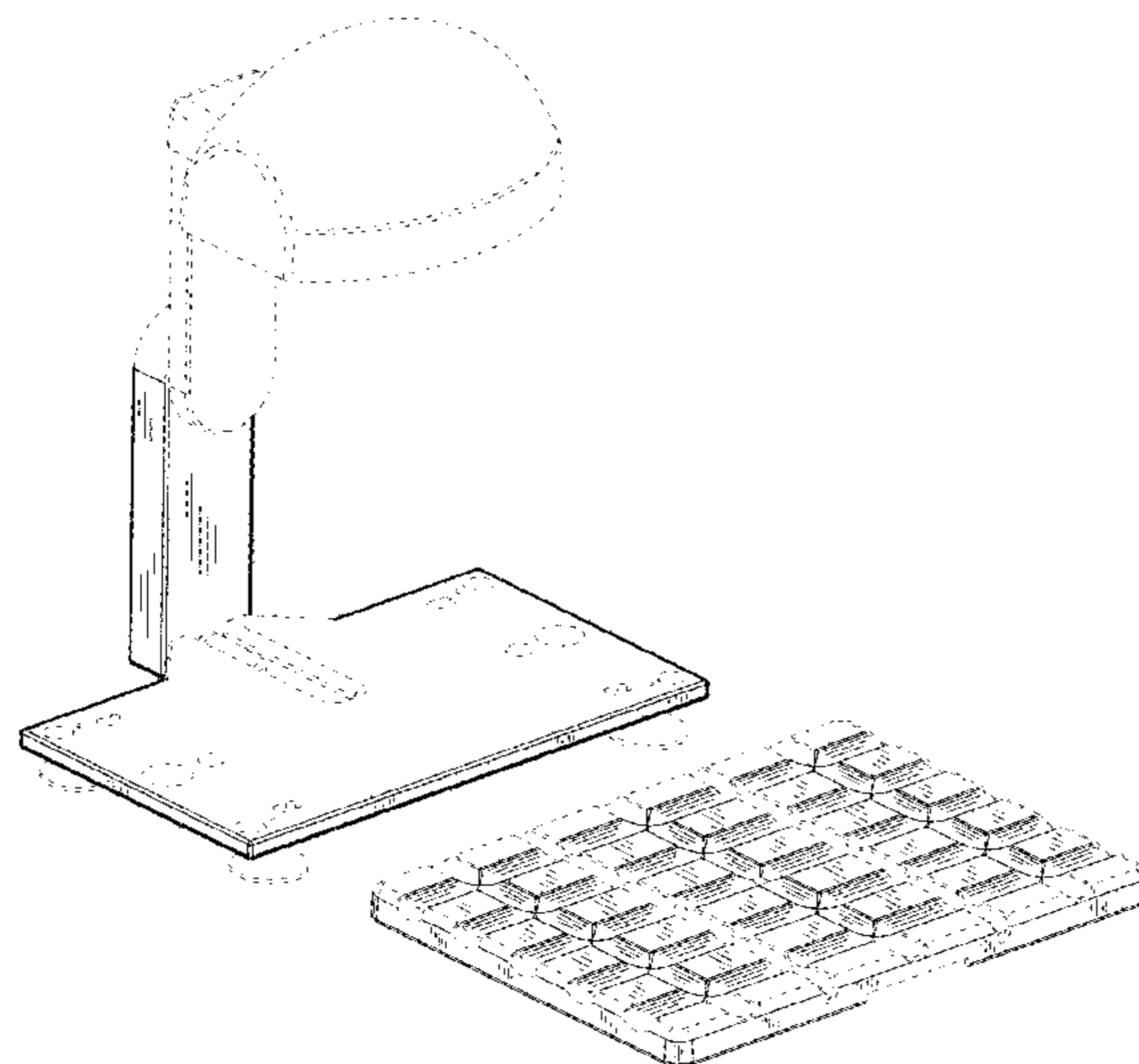
(57) **CLAIM**

The ornamental design for the work station with platform for medical dose preparation, as shown and described.

DESCRIPTION

FIG. 1 is a perspective view of the work station with platform for medical dose preparation showing a platform of the work station with platform for medical dose preparation removed from a stand of the work station with platform for medical dose preparation.
FIG. 2 is a another perspective view of the work station with platform for medical dose preparation of FIG. 1 showing the platform of the work station with platform for medical dose preparation positioned on the stand of the work station with platform for medical dose preparation.
FIG. 3 is a top plan view of the platform of the work station with platform for medical dose preparation; and,
FIG. 4 is a front elevation view of the work station with platform for medical dose preparation of FIG. 1 showing the platform of the work station with platform for medical dose preparation positioned on the stand of the work station with platform for medical dose preparation.
The broken lines depict non-claimed subject matter and form no part of the claimed design.

1 Claim, 4 Drawing Sheets



(58) **Field of Classification Search**

CPC .. G01N 1/00; G01N 1/02; G01N 1/14; G01N 1/10; B05C 5/00; B05C 5/001; F21V 21/10; F21V 21/14; F21V 21/104; F21V 21/108; F16M 11/12; B01L 3/021; A61J 3/002; B65B 57/10

See application file for complete search history.

(56) **References Cited**

U.S. PATENT DOCUMENTS

4,653,010	A	3/1987	Figler et al.	
D293,135	S *	12/1987	Medema	D26/61
5,431,201	A	7/1995	Torchia et al.	
5,509,318	A *	4/1996	Gomes	B01L 3/021 73/863.01
5,651,775	A	7/1997	Walker et al.	
D385,646	S *	10/1997	Chan	D26/107
5,713,485	A	2/1998	Liff et al.	
5,797,515	A	8/1998	Liff et al.	
5,818,528	A	10/1998	Roth et al.	
5,907,493	A	5/1999	Boyer et al.	
D414,578	S *	9/1999	Chen	D26/65
6,068,156	A	5/2000	Liff et al.	
6,283,322	B1	9/2001	Liff et al.	
6,330,491	B1	12/2001	Lion	
6,438,451	B1	8/2002	Lion	
6,471,089	B2	10/2002	Liff et al.	
6,564,121	B1	5/2003	Wallace et al.	
6,581,798	B2	6/2003	Liff et al.	
6,610,973	B1	8/2003	Davis, III	
6,711,460	B1	3/2004	Reese	
6,735,497	B2	5/2004	Wallace et al.	
6,776,304	B2	8/2004	Liff et al.	
6,814,255	B2	11/2004	Liff et al.	
6,877,530	B2	4/2005	Osborne et al.	
6,915,823	B2	7/2005	Osborne et al.	
6,991,002	B2	1/2006	Osborne et al.	
7,006,893	B2	2/2006	Hart et al.	
7,017,622	B2	3/2006	Osborne et al.	
7,028,723	B1	4/2006	Alouani et al.	
7,117,902	B2	10/2006	Osborne	
7,151,982	B2	12/2006	Liff et al.	
7,240,699	B2	7/2007	Osborne et al.	
7,427,002	B2	9/2008	Liff et al.	
7,499,581	B2	3/2009	Tribble et al.	
7,561,312	B1	7/2009	Proudfoot et al.	
7,610,115	B2	10/2009	Rob et al.	
7,753,085	B2	7/2010	Tribble et al.	
7,783,383	B2	8/2010	Eliuk et al.	
D624,225	S *	9/2010	Federico	D26/63
7,931,859	B2	4/2011	Mlodzinski et al.	
7,991,507	B2	8/2011	Liff et al.	
8,191,339	B2	6/2012	Tribble et al.	
8,215,557	B1	7/2012	Reno et al.	
8,220,503	B2	7/2012	Tribble et al.	
8,225,824	B2	7/2012	Eliuk et al.	
D667,961	S *	9/2012	Marmier	D24/232
8,267,129	B2	9/2012	Doherty et al.	
8,271,138	B2	9/2012	Eliuk et al.	
8,280,549	B2	10/2012	Liff et al.	
8,374,887	B1	2/2013	Alexander	
8,386,070	B2	2/2013	Eliuk et al.	
8,554,579	B2	10/2013	Tribble et al.	
D693,480	S *	11/2013	Spieß	D24/232
8,678,047	B2	3/2014	Tribble et al.	
D715,958	S *	10/2014	Bossart	D24/216
D738,152	S *	9/2015	Grasselli	D7/309
D753,428	S *	4/2016	Shao	D7/306
9,382,021	B2	7/2016	Tribble et al.	

2002/0100762	A1	8/2002	Liff et al.
2003/0050731	A1	3/2003	Rosenblum
2003/0231803	A1	12/2003	Huang
2004/0172289	A1	9/2004	Kozic et al.
2004/0204954	A1	10/2004	Lacko
2005/0001033	A1	1/2005	Cheong et al.
2005/0080651	A1	4/2005	Morrison et al.
2006/0178578	A1	8/2006	Tribble et al.
2007/0047980	A1	3/2007	Limer et al.
2007/0216998	A1	9/2007	Sander
2007/0239482	A1	10/2007	Finn et al.
2009/0285762	A1	11/2009	Flower
2009/0324032	A1	12/2009	Chen
2010/0017031	A1	1/2010	Rob et al.
2010/0091281	A1	4/2010	Suzuki
2010/0094653	A1	4/2010	Tribble et al.
2010/0128165	A1	5/2010	Newcomb et al.
2010/0241270	A1	9/2010	Eliuk et al.
2011/0208350	A1	8/2011	Eliuk et al.
2011/0267465	A1	11/2011	Alexander et al.
2012/0097290	A1	4/2012	Mikhaeil
2012/0200596	A1	8/2012	Gotou et al.
2013/0079581	A1	3/2013	Agamaite et al.
2013/0279774	A1	10/2013	Helgason et al.
2013/0314535	A1	11/2013	Yuyama et al.

FOREIGN PATENT DOCUMENTS

JP	2000036032	A	2/2000
JP	2004340770	A	12/2004
JP	2006033291	A	2/2006
JP	2006334062	A	12/2006
JP	2007151001	A	6/2007
JP	2008139201	A	6/2008
JP	2010-056619	A	3/2010
JP	2010170504	A	8/2010
JP	2012-078265	A	4/2012
KR	1020110115927		10/2011
WO	2012056317	A2	5/2012

OTHER PUBLICATIONS

Texas Administrative Code, Title 22, Part 15, Ch 291, Rules 20, 36, and 71-74. Feb. 10, 2004.

Peterson, Charles D. and Anderson, Jr., Howard C.; "The North Dakota Telepharmacy Project: Restoring and Retaining Pharmacy Services in Rural Communities" Feb. 1, 2004.

Cato Reference Manual, Support for Trial Version (Abridged), Vienna, May 2004 Jun. 1, 2004.

Seifert et al.; "The Training of a Telepharmacist: Addressing the Needs of Rural West Texas," American Journal of Pharmaceutical Education 2004; 68 (3) Article 60. Jul. 16, 2004.

Cato Reference Manual, Vienna, May 2005 May 1, 2005.

"GE ImageQuant TL 7.0 Image Analysis Software" User Manual , May 2007, http://nba.uth.tmc.edu/Assets/pdf/other/typhoon_supporting_files/IQTL_UserManual.pdf, Uppsala, Sweden.

"The World's First Fully Integrated Workflow Manager for I.V. Rooms", IntelliFlowRx Brochure, ForHealth Technologies, Inc., United States, May 2008.

Parsons, et al., "Digital Media-Can I Change a Graphic's File Size?", New Perspectives on Computer Concepts-Course Technology, 2011, Cengage Learning, Boston, MA.

BAXA Corporation, DoseEdge The Leading Edge in Dose Management, Brochure, published copyright date 2010.

BAXA Corporation, Product Catalog 2010-2011, published at least by Sep. 15, 2012, <https://web.archive.org/web/20120915210739/http://www.baxa.com/resources/docs/BaxaCatalog.pdf>.

* cited by examiner

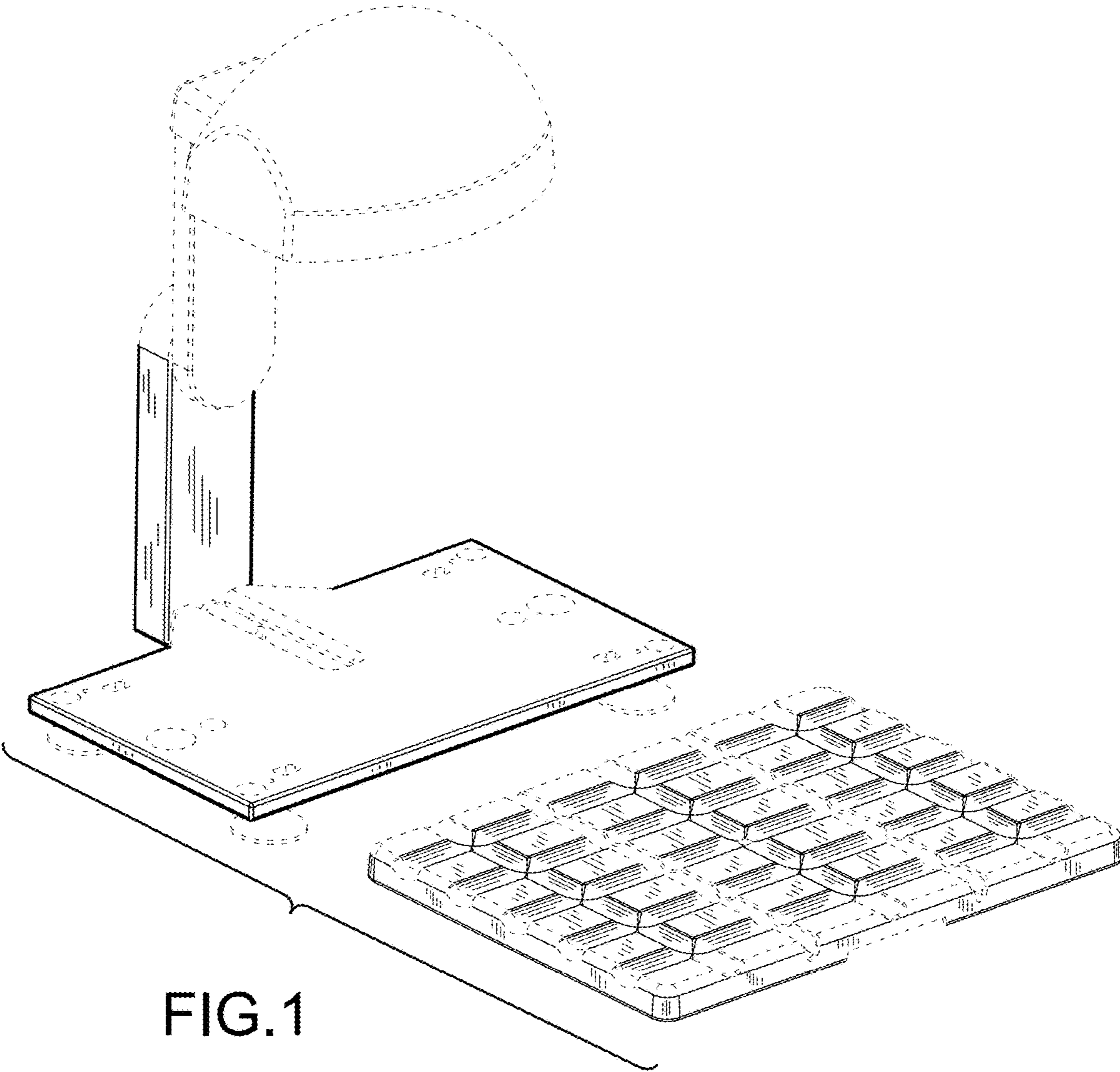


FIG. 1

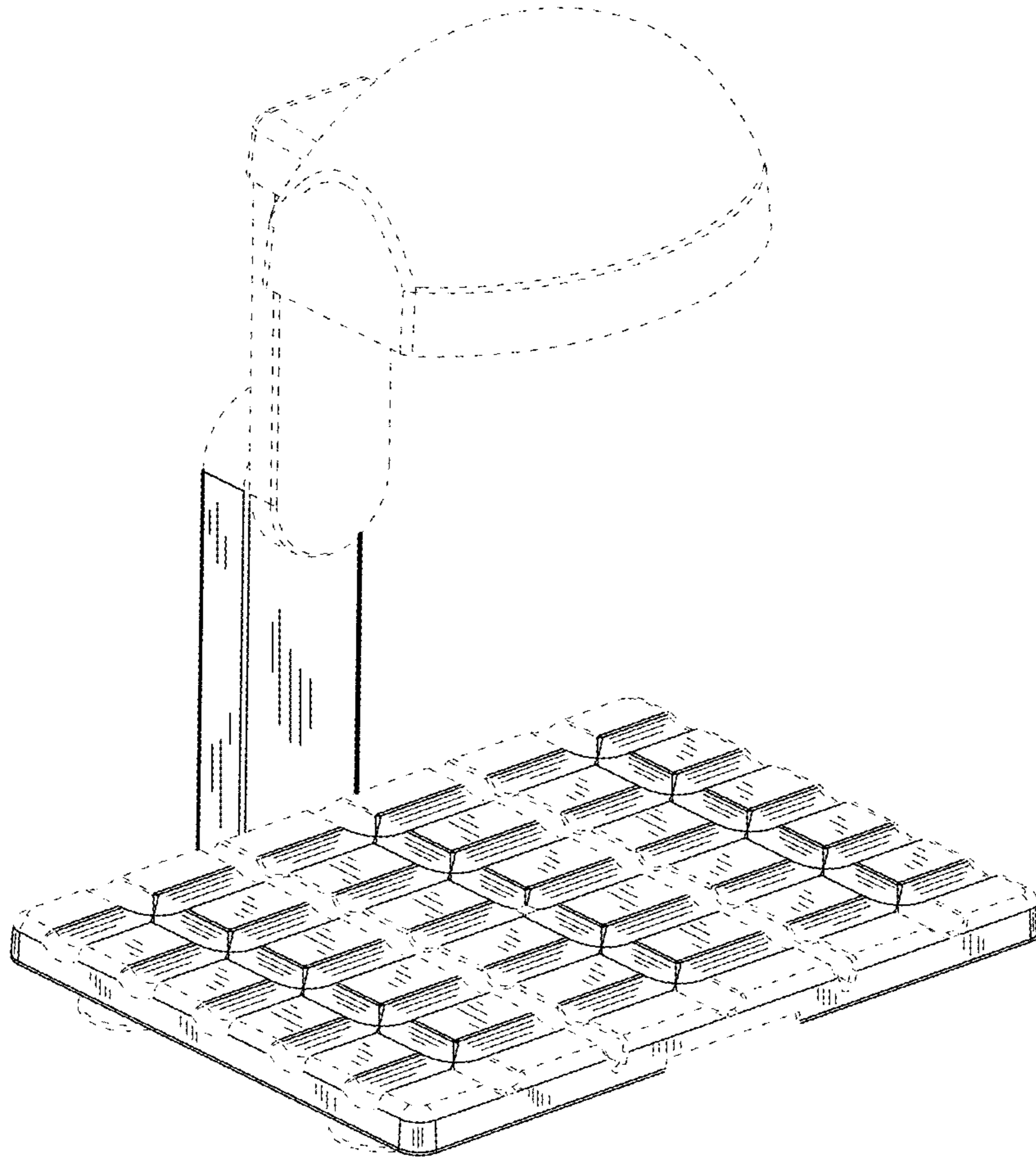


FIG.2

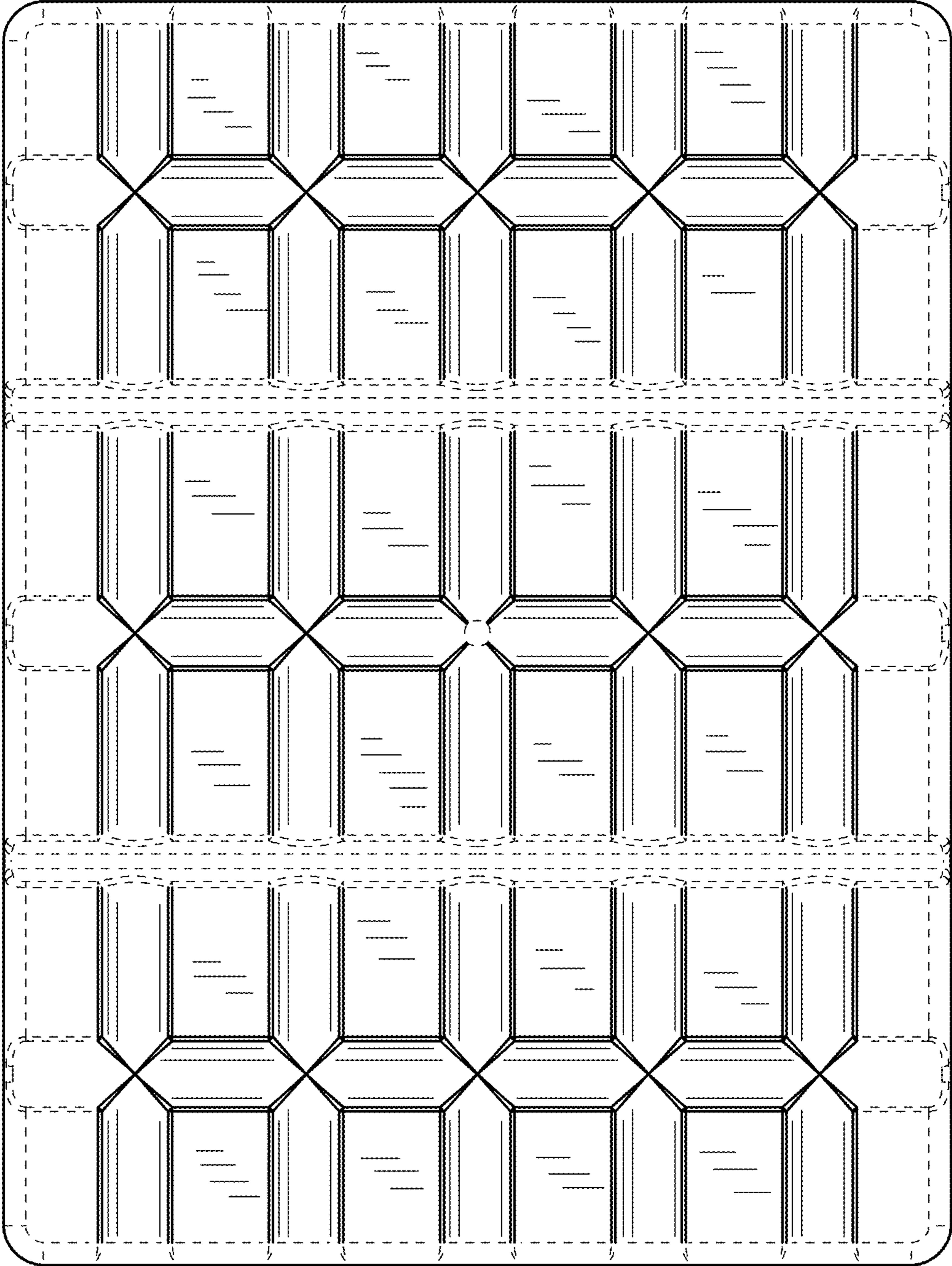


FIG.3

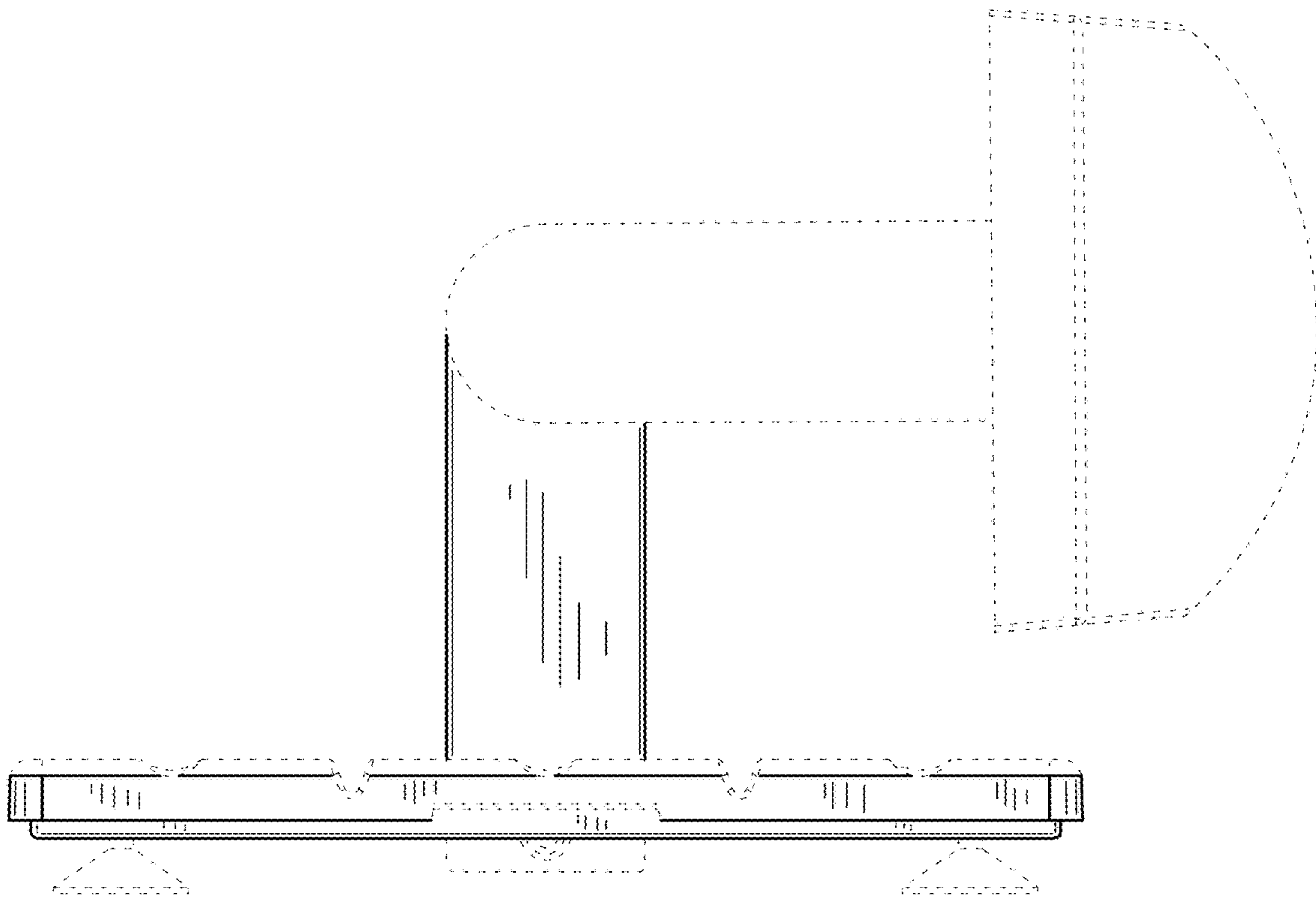


FIG.4

UNITED STATES PATENT AND TRADEMARK OFFICE
CERTIFICATE OF CORRECTION

PATENT NO. : D812,768 S
APPLICATION NO. : 29/565507
DATED : March 13, 2018
INVENTOR(S) : Joseph V. Ranalletta

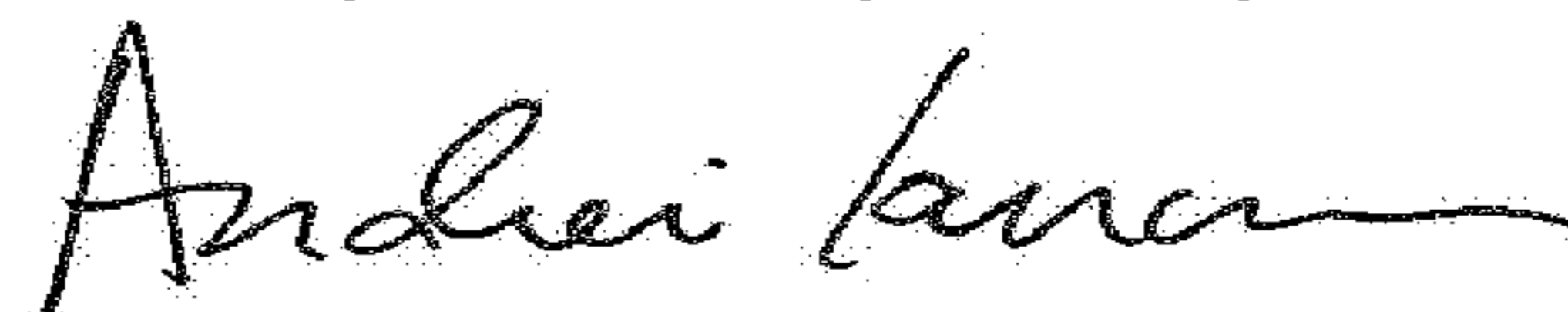
Page 1 of 1

It is certified that error appears in the above-identified patent and that said Letters Patent is hereby corrected as shown below:

On the Title Page

The Related U.S. Application Data (63) reading “Continuation of application No. 14/438,559, filed as application No. PCT/US2013/032545 on Mar. 15, 2013, now Pat. No. 9,375,079” should be changed to “Continuation of application No. 14/438,559 filed on April 24, 2015, now Pat. No. 9,375,079, which is a U.S. national stage entry of Application No. PCT/US2013/032545 filed on March 15, 2013, which claims the benefit of U.S. Provisional Application No. 61/719,256 filed on October 26, 2012”

Signed and Sealed this
Twenty-ninth Day of May, 2018



Andrei Iancu
Director of the United States Patent and Trademark Office