



US00D812767S

(12) **United States Design Patent**  
**Osmus et al.**

(10) **Patent No.:** **US D812,767 S**  
(45) **Date of Patent:** **\*\* Mar. 13, 2018**

(54) **FLOW CELL CARTRIDGE**  
(71) Applicant: **Illumina, Inc.**, San Diego, CA (US)  
(72) Inventors: **James Osmus**, San Diego, CA (US);  
**Richard Lemoine**, San Diego, CA (US); **Anna Quackenbush**, San Diego, CA (US); **Scott Janis**, El Cerrito, CA (US); **Lea Sandra Kobeli**, San Francisco, CA (US)

(73) Assignee: **Illumina, Inc.**, San Diego, CA (US)

(\*\*) Term: **15 Years**

(21) Appl. No.: **29/581,049**

(22) Filed: **Oct. 14, 2016**

(51) **LOC (11) Cl.** ..... **24-02**

(52) **U.S. Cl.**  
USPC ..... **D24/225**

(58) **Field of Classification Search**  
USPC ..... D10/81; D24/169, 216, 223–227, 230, D24/232, 233  
CPC ..... B01L 3/5027; B01L 3/502707  
See application file for complete search history.

(56) **References Cited**

**U.S. PATENT DOCUMENTS**

D456,082 S \* 4/2002 Bouse ..... D24/223  
D540,953 S \* 4/2007 Ramel ..... D24/224  
7,674,615 B2 \* 3/2010 Ramel ..... B01L 3/5023  
422/412  
D655,424 S \* 3/2012 Castanon ..... D24/225

D728,400 S \* 5/2015 McLaughlin ..... D10/78  
D730,216 S \* 5/2015 McLaughlin ..... D10/78  
D735,877 S \* 8/2015 Chang ..... D24/216  
D787,700 S \* 5/2017 Dunaway ..... D24/225  
D799,056 S \* 10/2017 Bourgeois ..... D24/224  
2015/0118739 A1 \* 4/2015 Kobayashi ..... B01L 3/5027  
435/287.2

\* cited by examiner

*Primary Examiner* — Susan Bennett Hattan

*Assistant Examiner* — Leanne Was-Englehart

(74) *Attorney, Agent, or Firm* — Knobbe Martens Olson & Bear LLP

(57) **CLAIM**

The ornamental design for a flow cell cartridge, as shown and described.

**DESCRIPTION**

FIG. 1 is a top perspective view of a flow cell cartridge in accordance with the present invention.

FIG. 2 is a bottom perspective view of the flow cell cartridge of FIG. 1.

FIG. 3 is a left side view of the flow cell cartridge of FIG. 1.

FIG. 4 is a right side view of the flow cell cartridge of FIG. 1.

FIG. 5 is a rear view of the flow cell cartridge of FIG. 1.

FIG. 6 is a front view of flow cell cartridge of FIG. 1.

FIG. 7 is a top view of the flow cell cartridge of FIG. 1; and, FIG. 8 is a bottom view of the flow cell cartridge of FIG. 1.

Broken lines are used to illustrate the environmental structure and form no part of the claimed design.

**1 Claim, 5 Drawing Sheets**

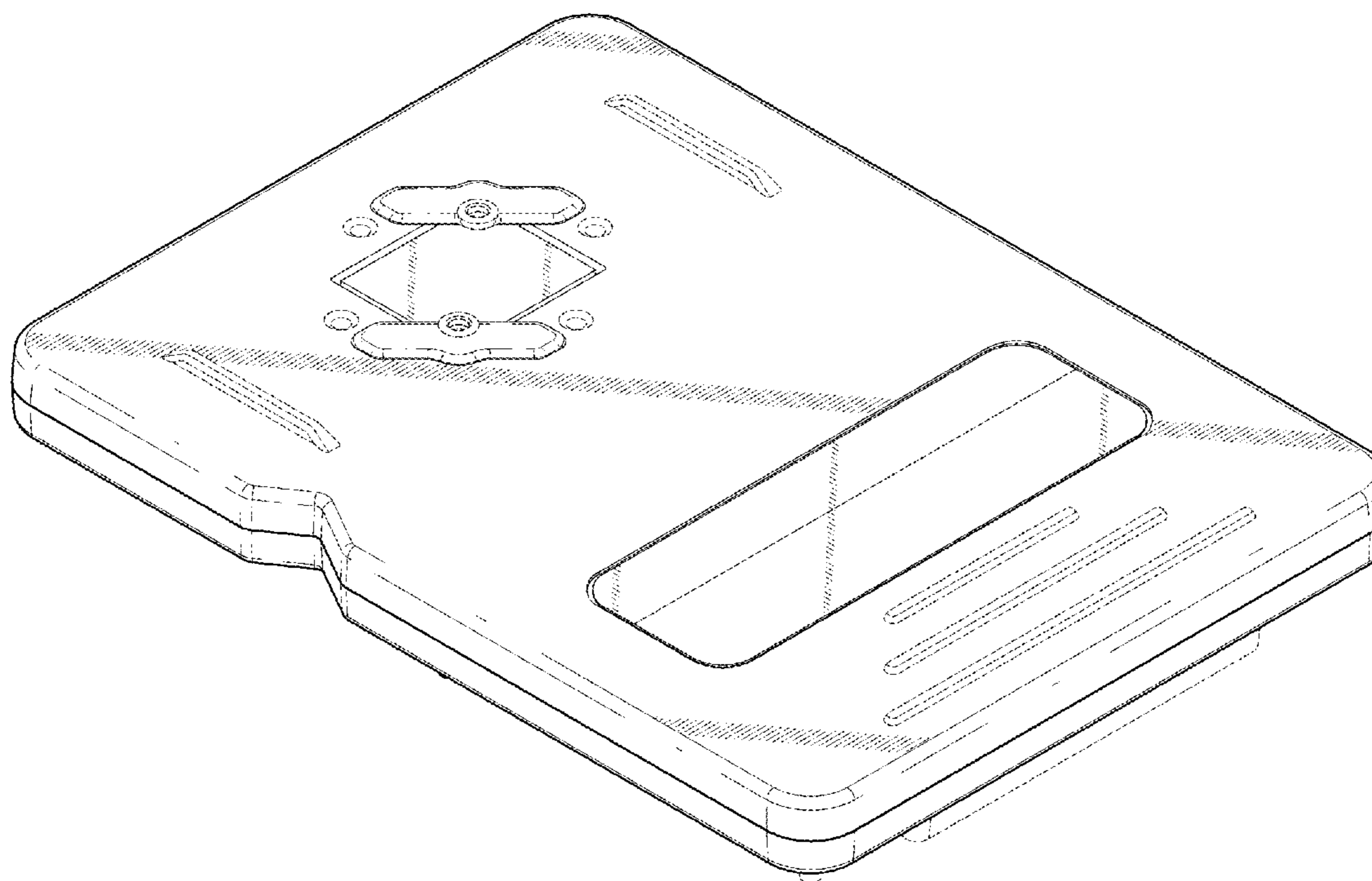


FIG. 1

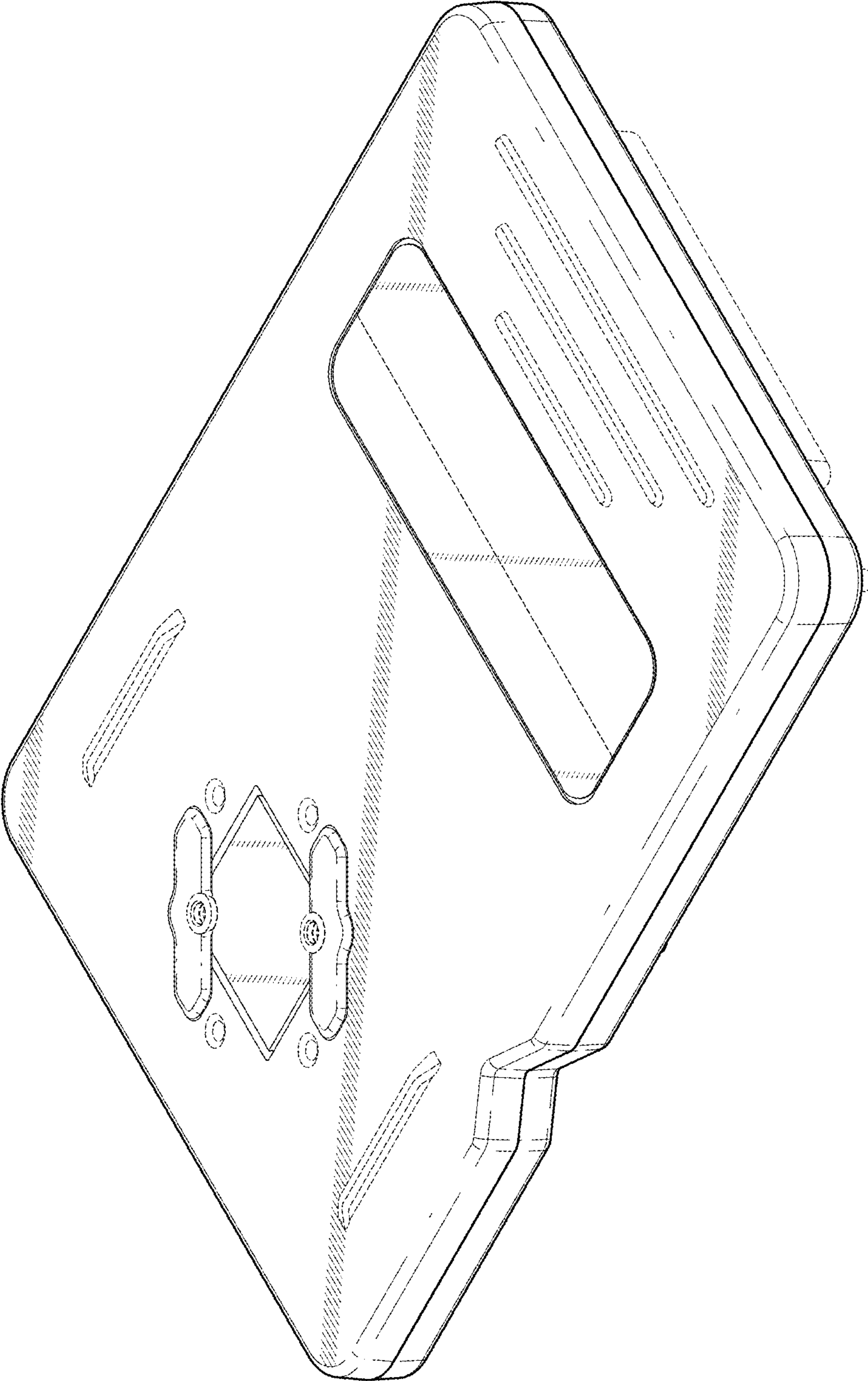
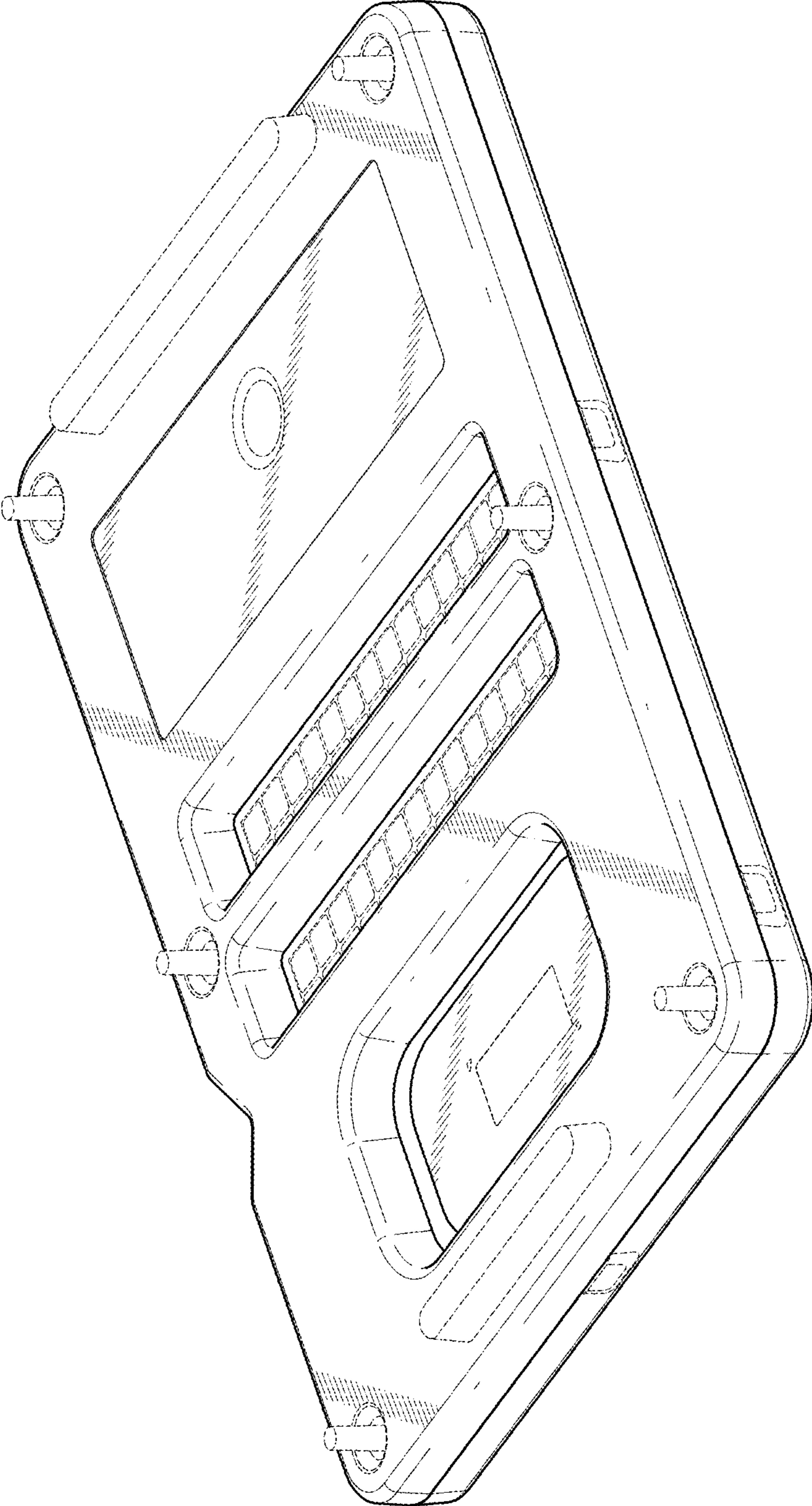


FIG. 2



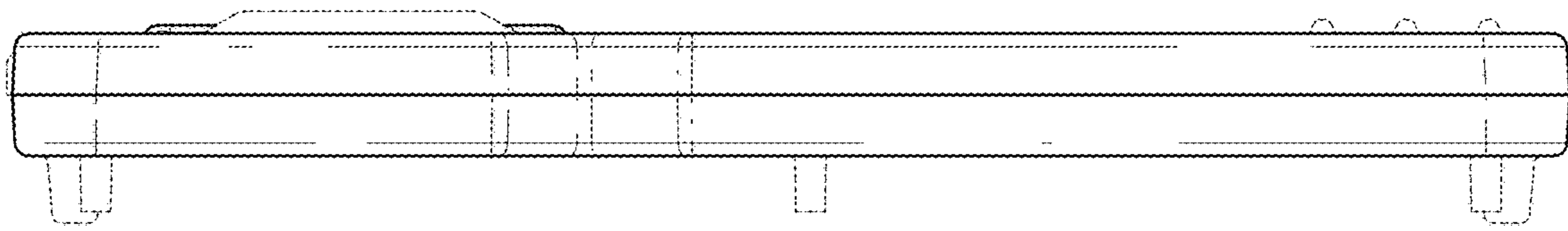


FIG. 3

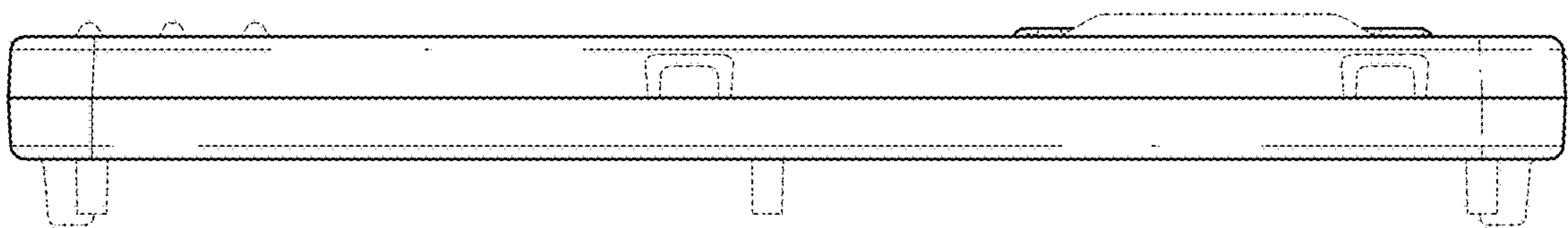


FIG. 4

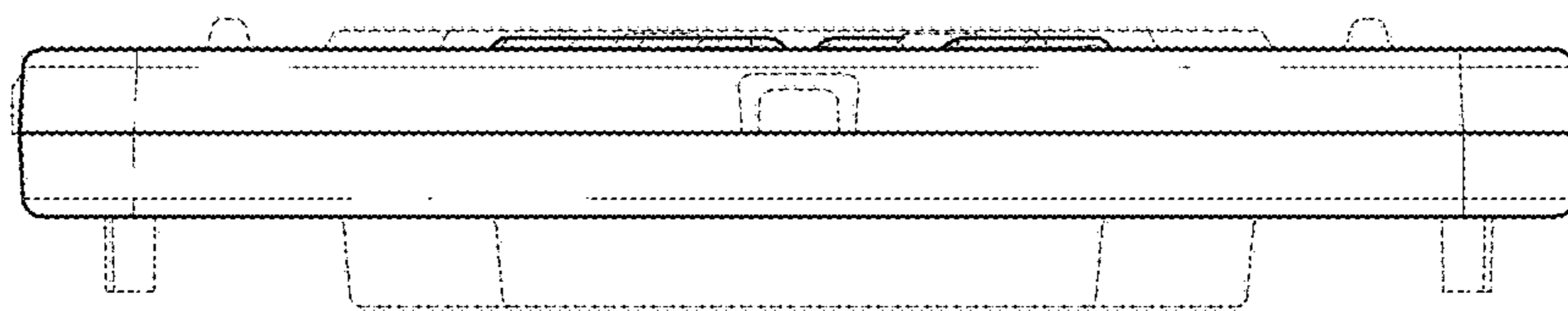


FIG. 5

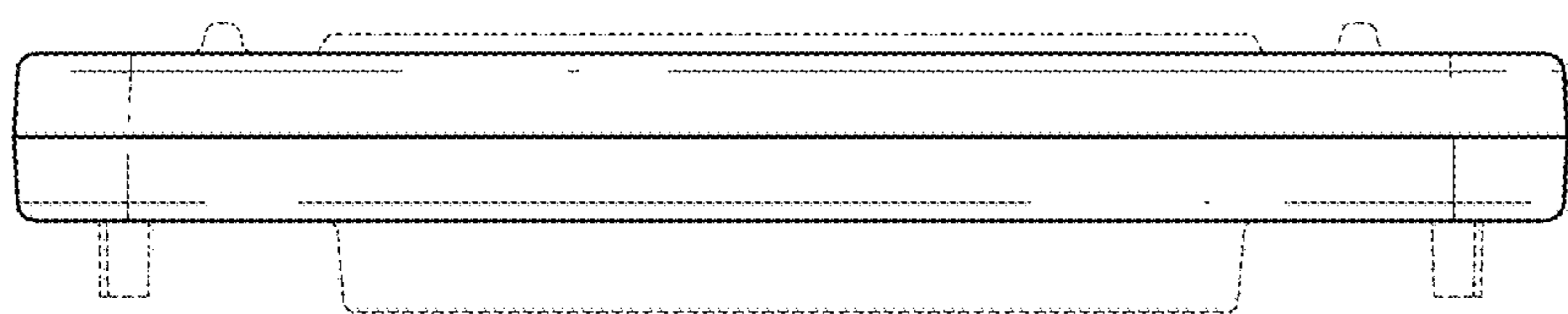


FIG. 6

FIG. 7

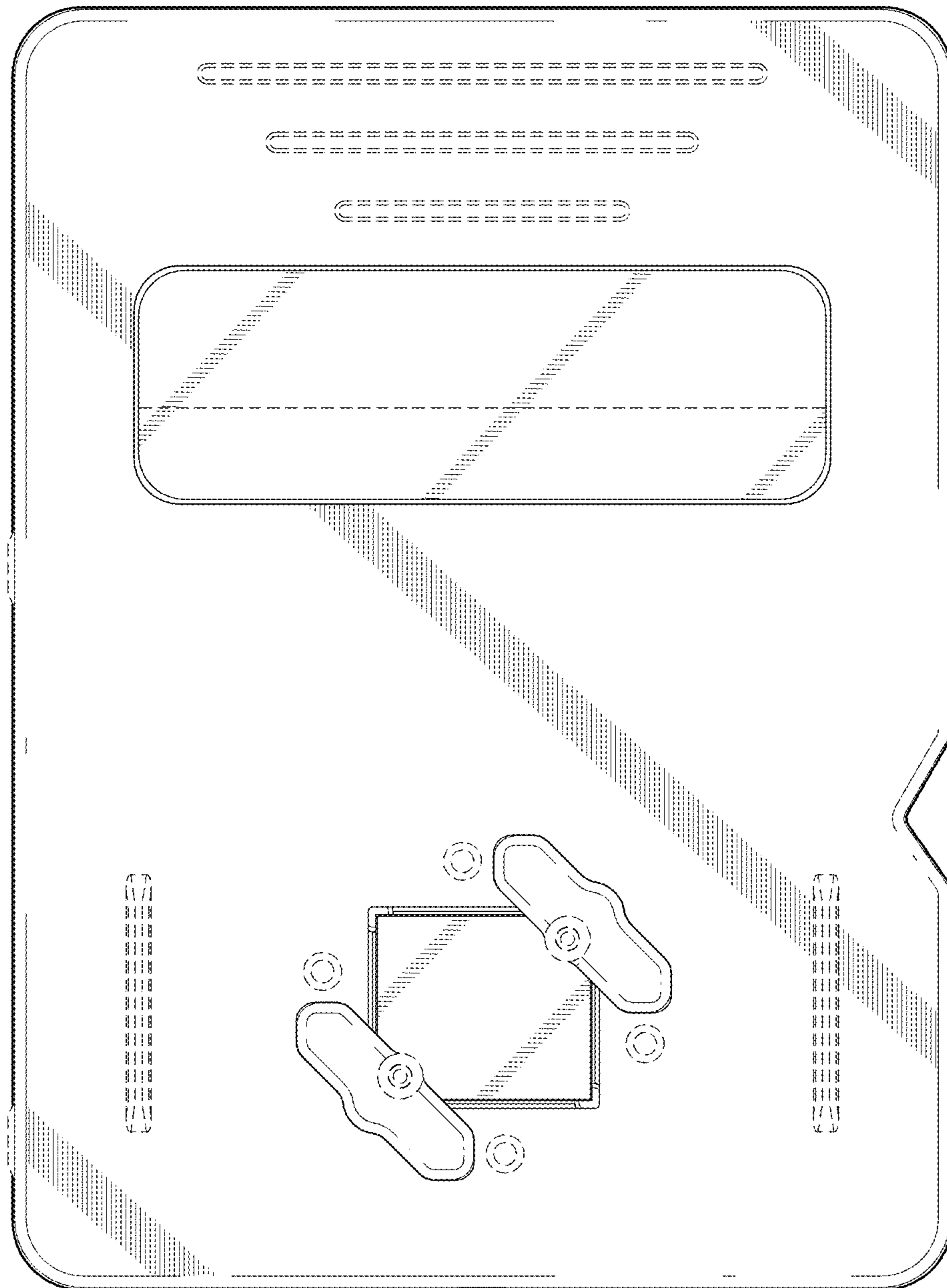


FIG. 8

