



US00D812764S

(12) **United States Design Patent**  
**Knudsen et al.**

(10) **Patent No.:** **US D812,764 S**  
(45) **Date of Patent:** **\*\* Mar. 13, 2018**

(54) **APPARATUS FOR STIMULATION OF THE NERVOUS SYSTEM**

D613,416 S \* 4/2010 Schupman ..... D24/200  
D777,939 S \* 1/2017 Black ..... D21/662  
D790,724 S \* 6/2017 Black ..... D21/662  
D800,329 S \* 10/2017 Cheng ..... D24/211

(71) Applicant: **NEURODAN A/S**, Aalborg (DK)

\* cited by examiner

(72) Inventors: **Dianna Maersk Knudsen**, Loegstoer (DK); **Morten Fjorback**, Gistrup (DK)

*Primary Examiner* — Wan Laymon

(73) Assignee: **NEURODAN A/S**, Aalborg (DK)

*Assistant Examiner* — Clint A Samuel

(\*\*) Term: **15 Years**

(74) *Attorney, Agent, or Firm* — Holland & Hart

(21) Appl. No.: **29/574,786**

(57) **CLAIM**

(22) Filed: **Aug. 18, 2016**

The ornamental design for an apparatus for stimulation of the nervous system, as shown and described.

(30) **Foreign Application Priority Data**

Jul. 6, 2016 (EM) ..... 003296748

(51) **LOC (11) Cl.** ..... **28-03**

(52) **U.S. Cl.**  
USPC ..... **D24/200**

(58) **Field of Classification Search**  
USPC ..... D24/200, 211–215; D21/301, 312, 451, D21/455, 622  
CPC ... A61H 1/00; A61H 9/00; A61H 9/40; A61H 15/00; A61H 23/00; A61H 39/00; A61B 5/0404  
See application file for complete search history.

**DESCRIPTION**

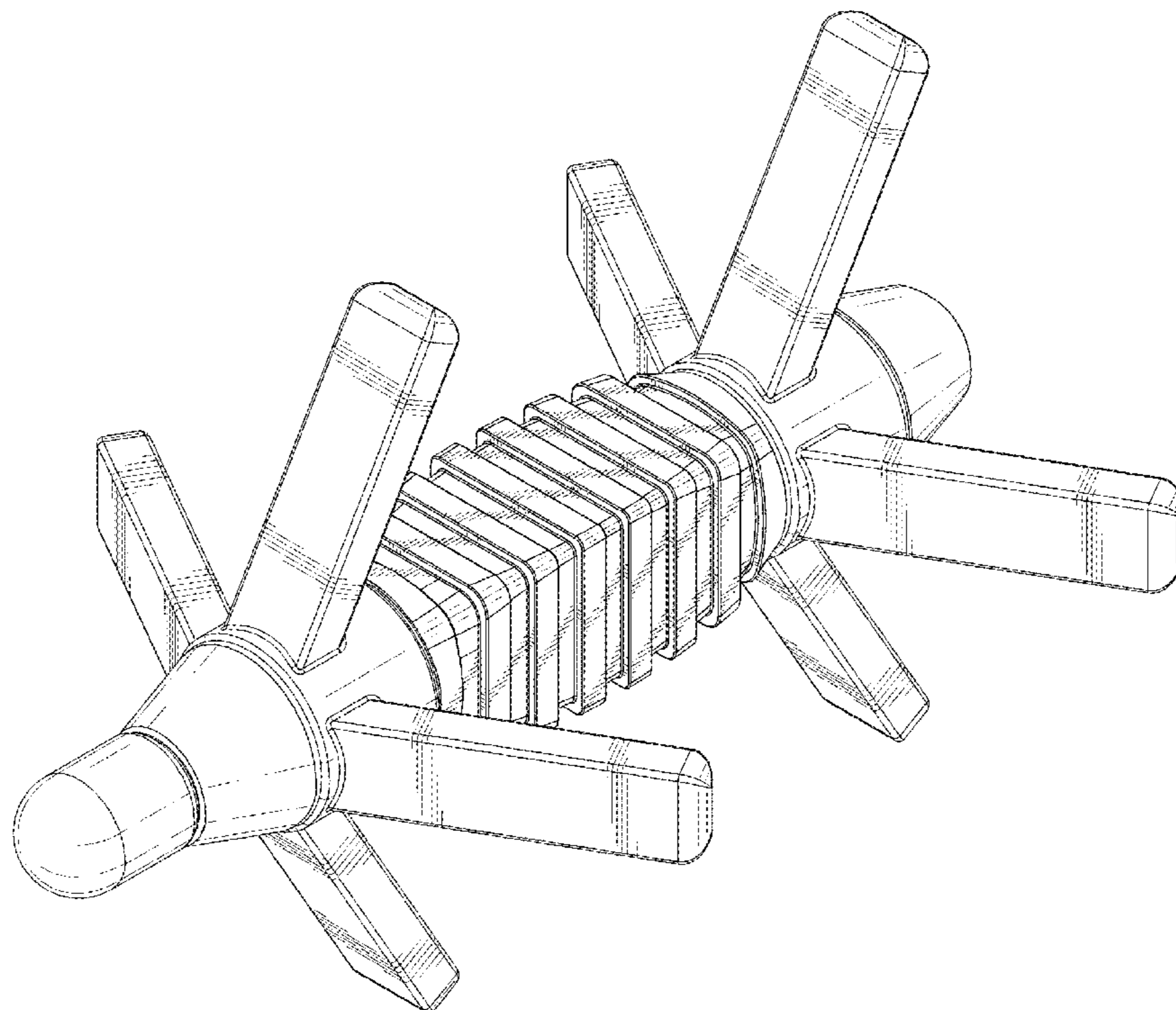
FIG. 1 is a perspective view of an apparatus for stimulation of the nervous system according to the present invention; FIG. 2 is an enlarged perspective view; FIG. 3 is a rear perspective view thereof; FIG. 4 is a left side elevation view thereof; FIG. 5 is a top view thereof (which is identical to the front and rear views); and, FIG. 6 is a right side elevation view thereof. The broken line showing in the drawings is included for the purpose of illustrating environmental subject matter of the apparatus for stimulation of the nervous system and forms no part of the claimed design.

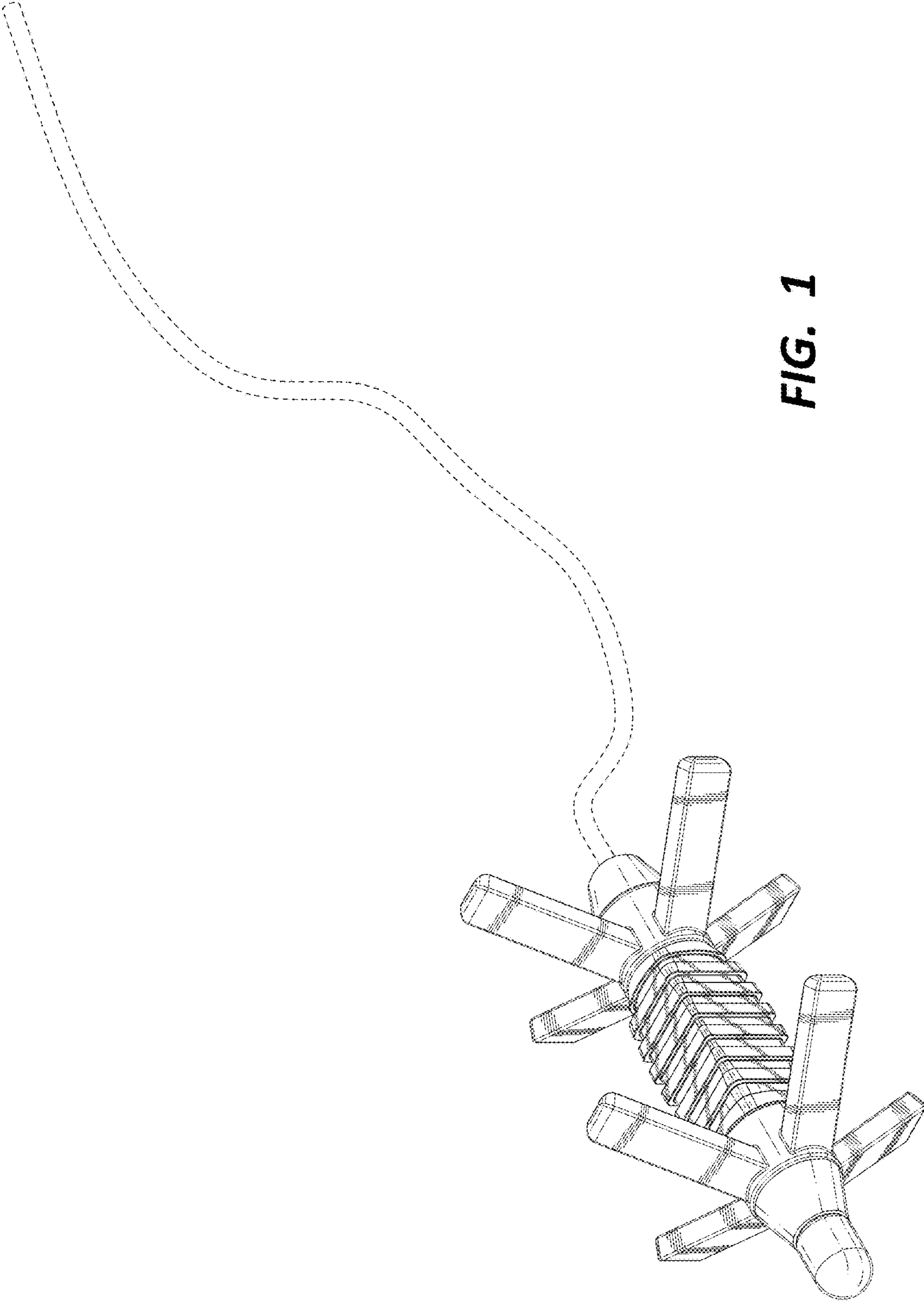
(56) **References Cited**

**U.S. PATENT DOCUMENTS**

D353,008 S \* 11/1994 Van Harn ..... D24/200  
D373,424 S \* 9/1996 Colsen ..... D24/200

**1 Claim, 6 Drawing Sheets**





**FIG. 1**

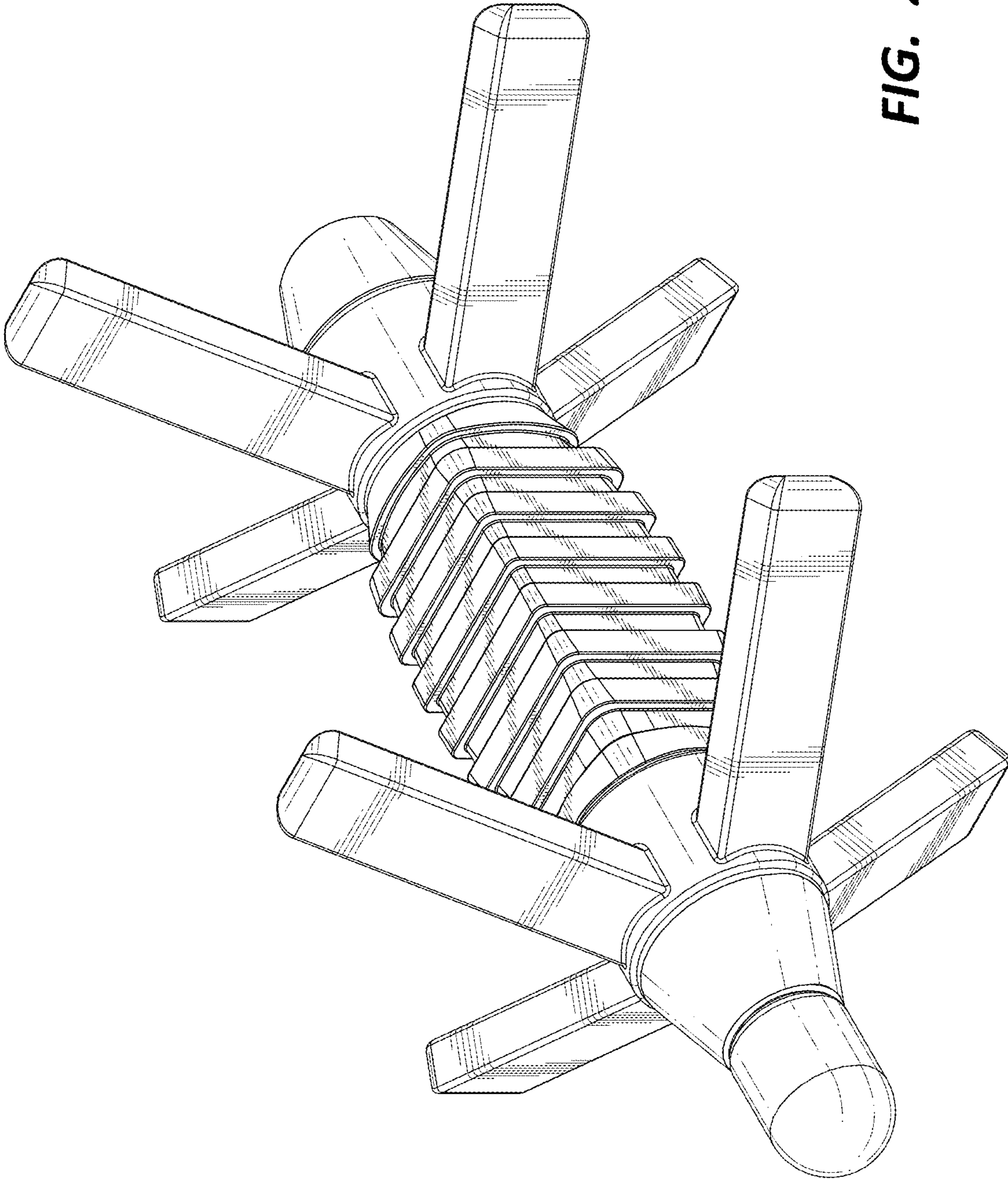


FIG. 2

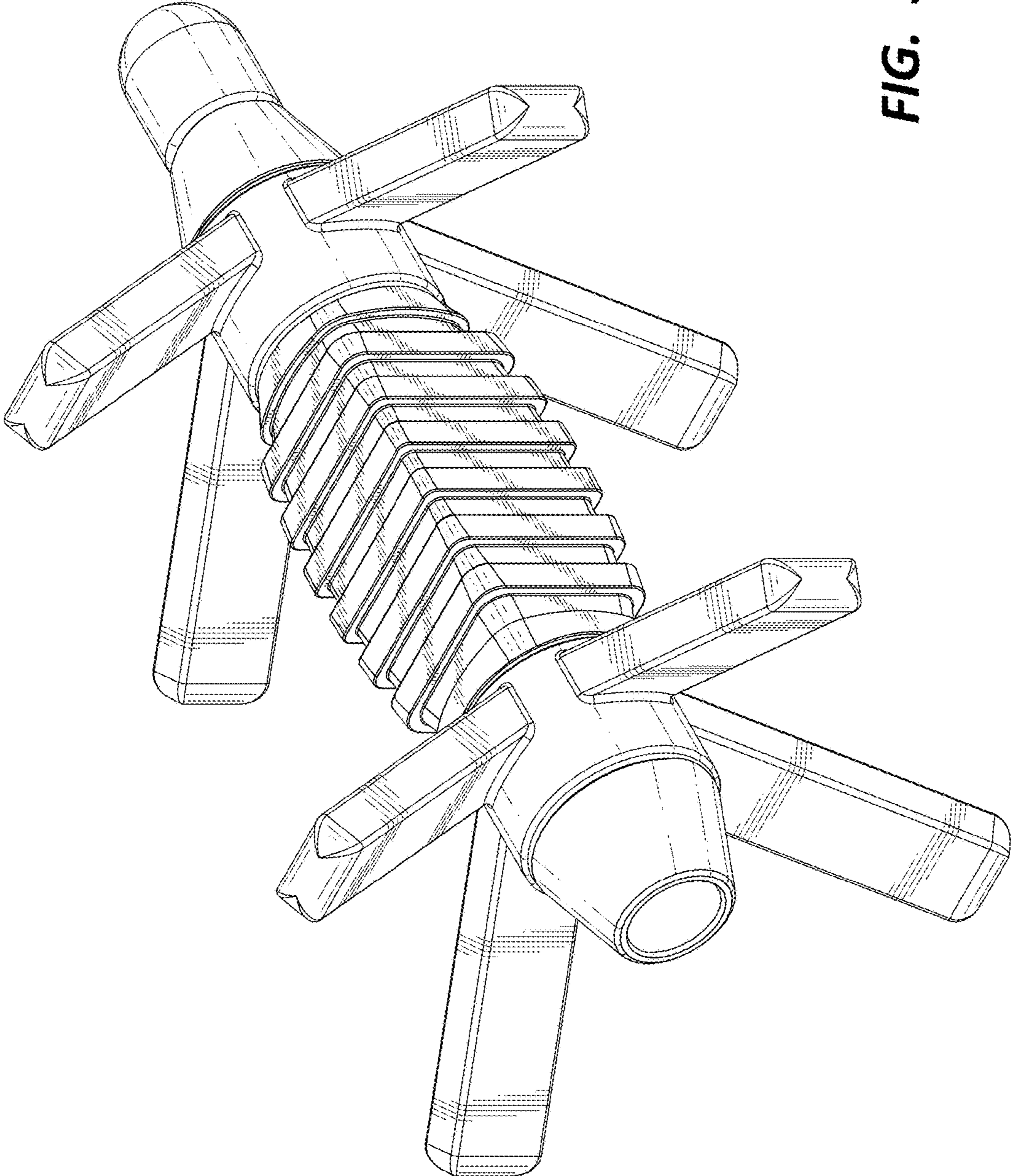
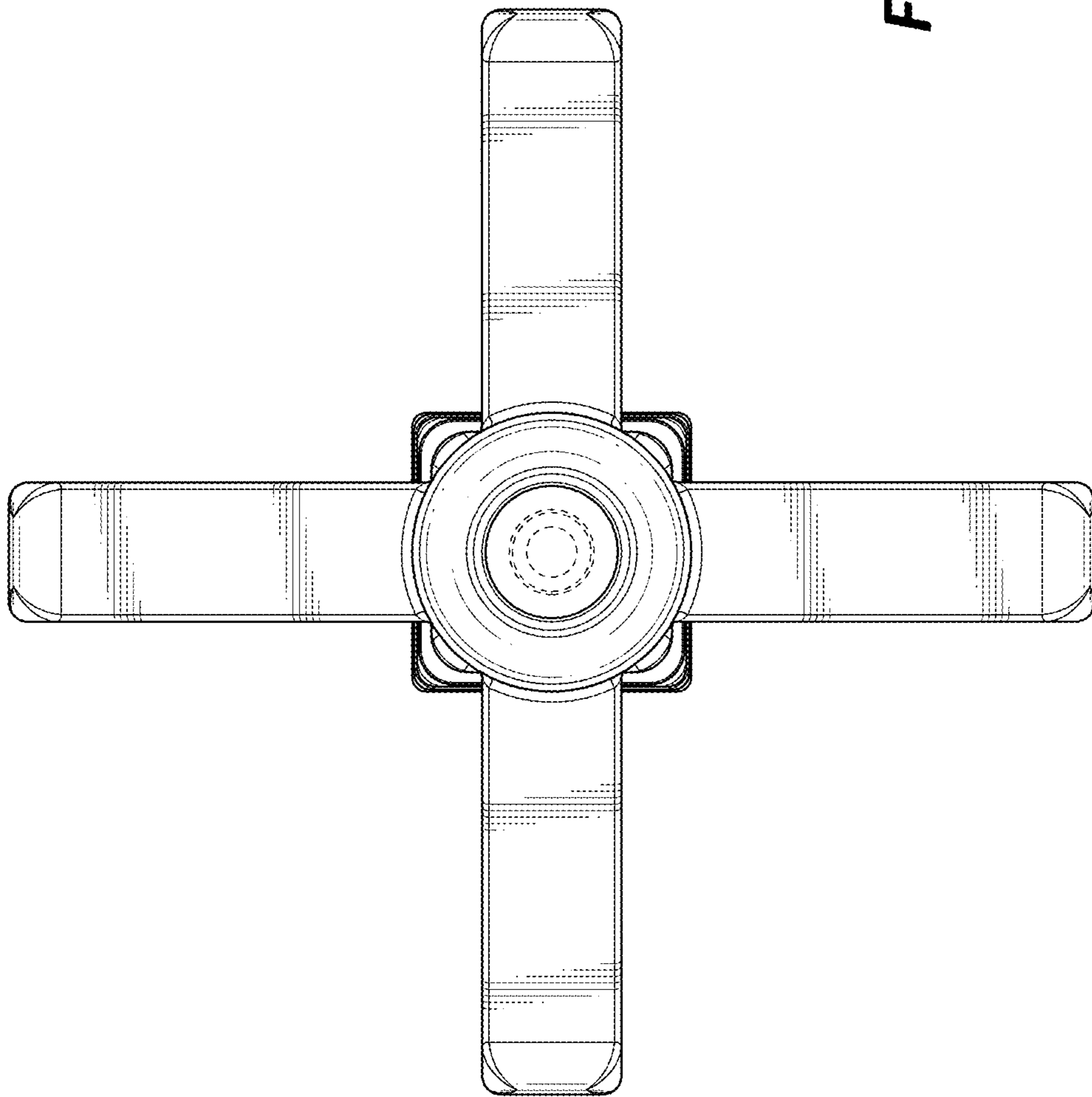
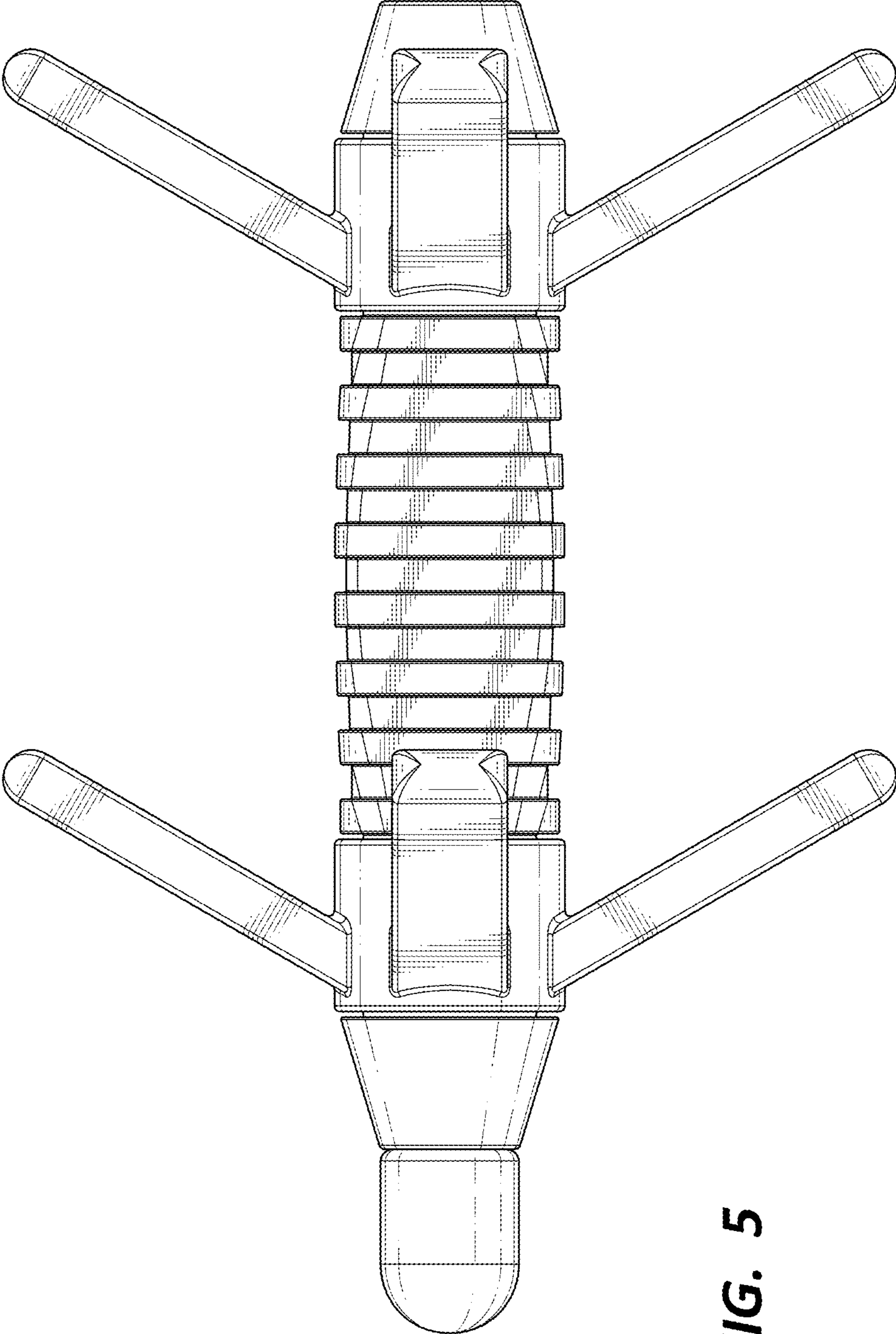


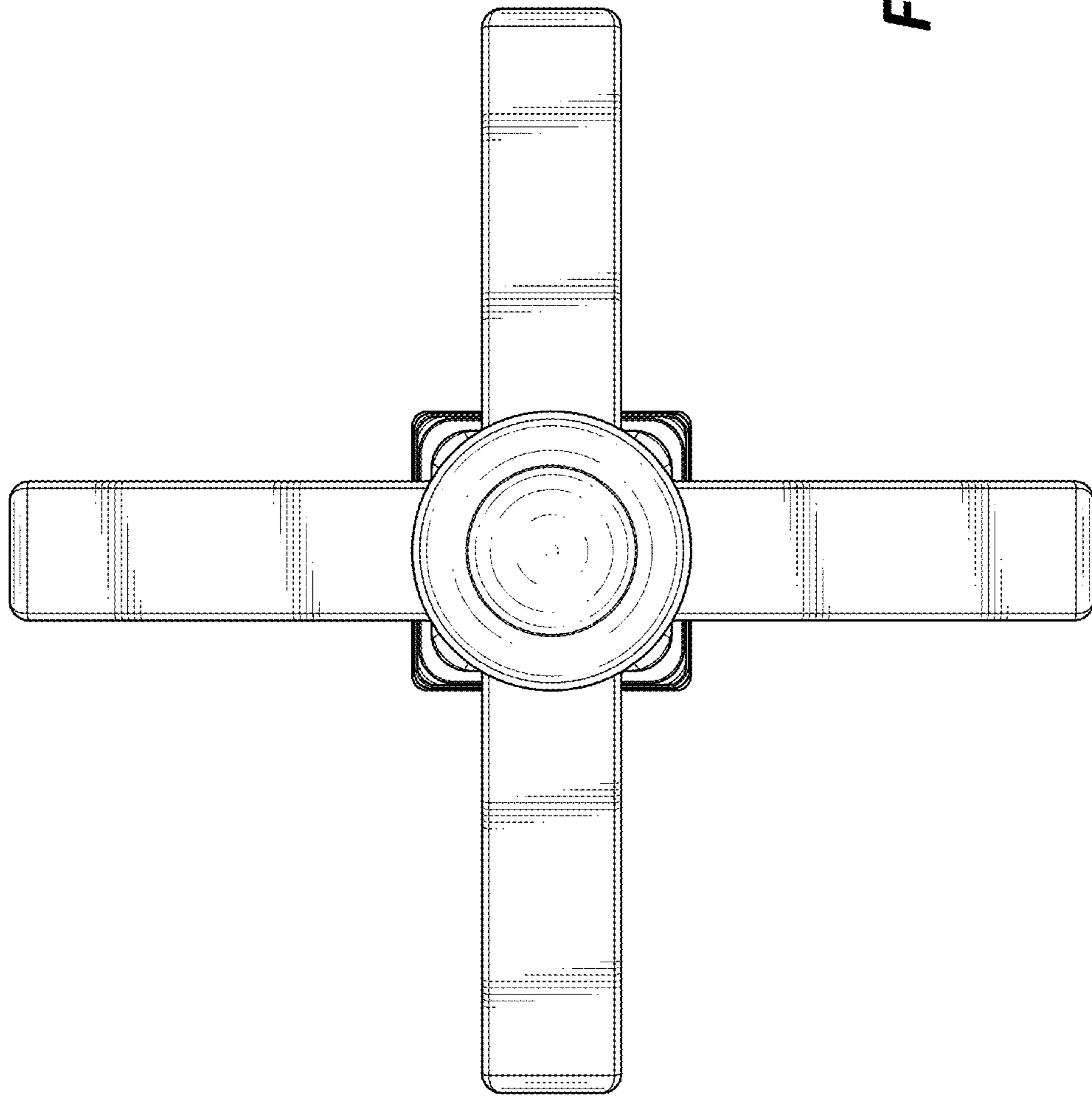
FIG. 3



**FIG. 4**



**FIG. 5**



**FIG. 6**