



US00D812761S

(12) **United States Design Patent**
Heni et al.

(10) **Patent No.:** **US D812,761 S**
(45) **Date of Patent:** **** Mar. 13, 2018**

(54) **STERILE COVER**
(71) Applicant: **Karl Storz GmbH & Co. KG**,
Tuttlingen (DE)
(72) Inventors: **Andreas Heni**, Tuttlingen (DE);
Benedikt Koehler, Tuttlingen (DE);
Patrick Wollenweber, Tuttlingen (DE);
Christian Schneider, Tuttlingen (DE)
(73) Assignee: **KARL STORZ GmbH & Co. KG**,
Tuttlingen (DE)

D553,749 S * 10/2007 Weberg D24/172
D595,416 S * 6/2009 Kovacs D24/189
D600,354 S * 9/2009 Sachi D24/189
D608,893 S * 1/2010 Arbesman D24/189
D624,190 S * 9/2010 Neri D24/189
D750,789 S * 3/2016 Mackay D24/189
D755,980 S * 5/2016 Jakobsen D24/189
D783,842 S * 4/2017 Cerra D24/189
D796,052 S * 8/2017 Kase D24/189
D806,256 S * 12/2017 Allen D24/189

(**) Term: **15 Years**

* cited by examiner

Primary Examiner — Charles Hanson

(21) Appl. No.: **29/590,850**

(74) *Attorney, Agent, or Firm* — Muncy, Geissler, Olds & Lowe, P.C.

(22) Filed: **Jan. 13, 2017**

(57) **CLAIM**

(30) **Foreign Application Priority Data**

The ornamental design for a sterile cover, as shown and described.

Jul. 14, 2016 (EM) 003305861-0001

(51) **LOC (11) Cl.** **24-00**

(52) **U.S. Cl.**
USPC **D24/189**

DESCRIPTION

(58) **Field of Classification Search**
USPC D24/188, 189
CPC .. A61F 2013/00102; A61F 2013/00217; A61F
2013/00417; A61F 2013/00731
See application file for complete search history.

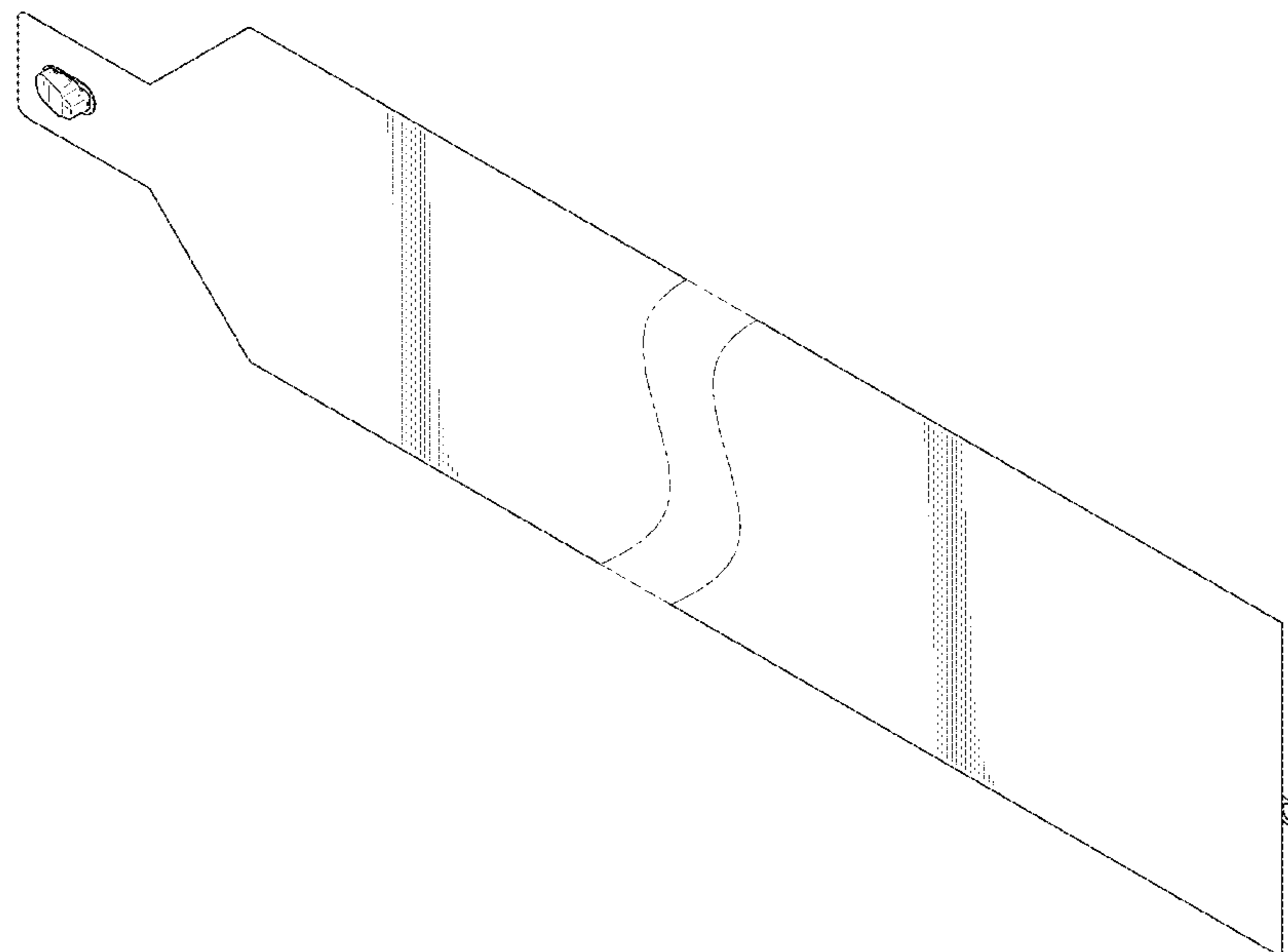
FIG. 1 is a front perspective view of a sterile cover according to the present invention.
FIG. 2 is a front view of the sterile cover of FIG. 1.
FIG. 3 is a rear view of the sterile cover of FIG. 1.
FIG. 4 is a left side view of the sterile cover of FIG. 1.
FIG. 5 is a right side view of the sterile cover of FIG. 1.
FIG. 6 is a top view of the sterile cover of FIG. 1; and,
FIG. 7 is a bottom view of the sterile cover of FIG. 1.
The dashed lines illustrate environment that does not form a part of the present invention, and no claim is made to the material illustrated with dashed lines.

(56) **References Cited**

U.S. PATENT DOCUMENTS

3,583,460 A * 6/1971 Faust A61J 1/10
138/89
4,408,692 A * 10/1983 Sigel A61B 1/00144
206/303

1 Claim, 7 Drawing Sheets



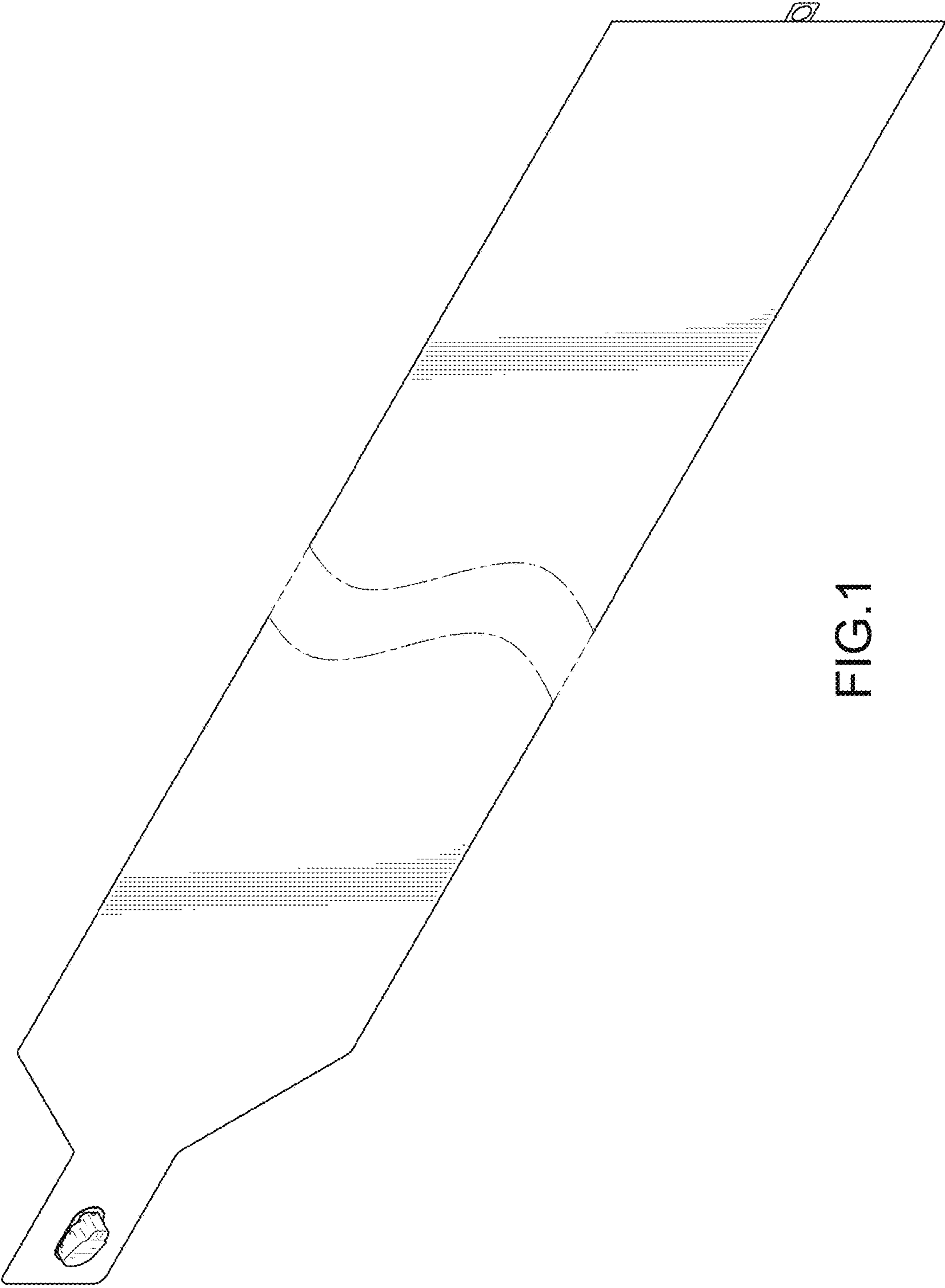


FIG.1



FIG.2



FIG.3

FIG. 4





FIG. 5

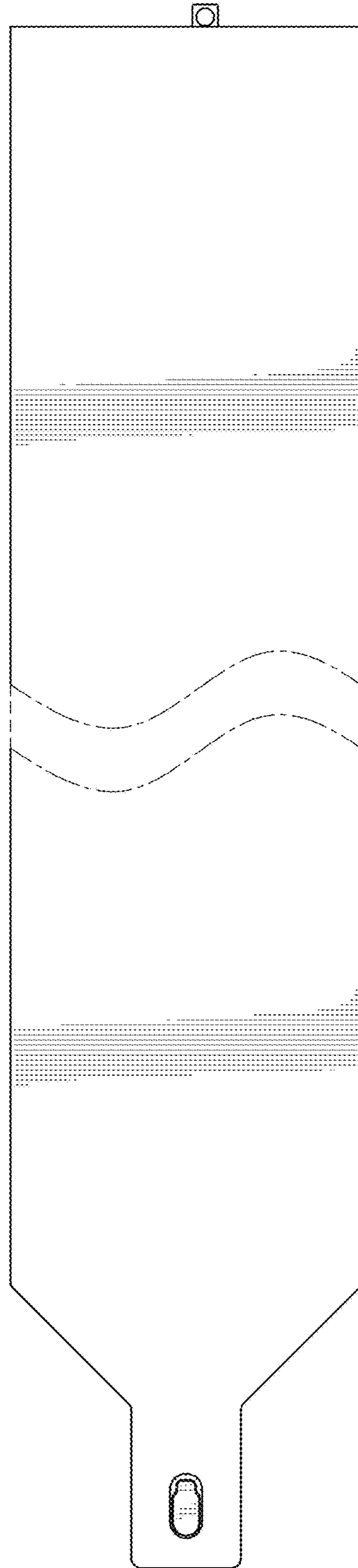


FIG.6

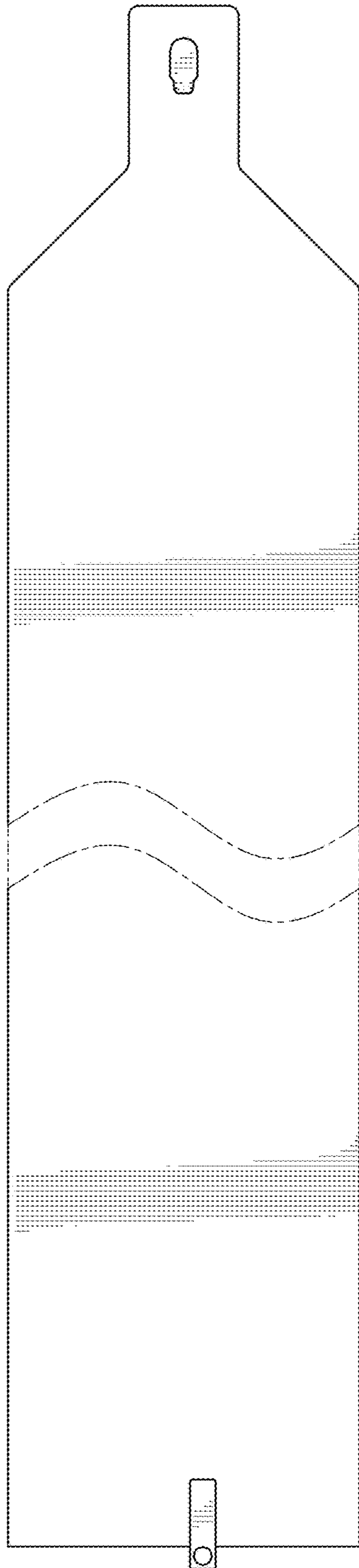


FIG.7