



US00D812751S

(12) **United States Design Patent** (10) **Patent No.:** **US D812,751 S**
Richter et al. (45) **Date of Patent:** **** Mar. 13, 2018**

(54) **INTERFERENCE BONE SCREW**

FOREIGN PATENT DOCUMENTS

(71) Applicant: **KARL STORZ GmbH & Co. KG**,
Tuttlingen (DE)

DE 691 27 977 T2 9/1998
EP 0 547 134 B1 10/1997
EP 1 991 145 B1 9/2010

(72) Inventors: **Joerg Richter**, Ludwigsburg (DE);
Sascha Berberich, Tuttlingen (DE)

(Continued)

(73) Assignee: **KARL STORZ GmbH & Co. KG**,
Tuttlingen (DE)

OTHER PUBLICATIONS

(**) Term: **15 Years**

Karl Storz, "Mega Fix: Bioabsorbable and composite interference screws," Endoworld Art 59 1.0, pp. 1-16 (Oct. 2015).

(21) Appl. No.: **29/573,161**

Primary Examiner — Garth Rademaker

(22) Filed: **Aug. 3, 2016**

(74) *Attorney, Agent, or Firm* — Muncy, Geissler, Olds & Lowe, P.C.

(30) **Foreign Application Priority Data**

(57) **CLAIM**

Feb. 3, 2016 (EM) 002970210-0001

The ornamental design for an interference bone screw, as shown and described.

(51) **LOC (11) Cl.** **24-02**

(52) **U.S. Cl.**
USPC **D24/146**

(58) **Field of Classification Search**
USPC D24/155-157; D8/387
CPC A61B 17/7032; A61B 17/7035; A61B
17/7225; A61B 17/7233; A61B 17/7291
See application file for complete search history.

DESCRIPTION

(56) **References Cited**

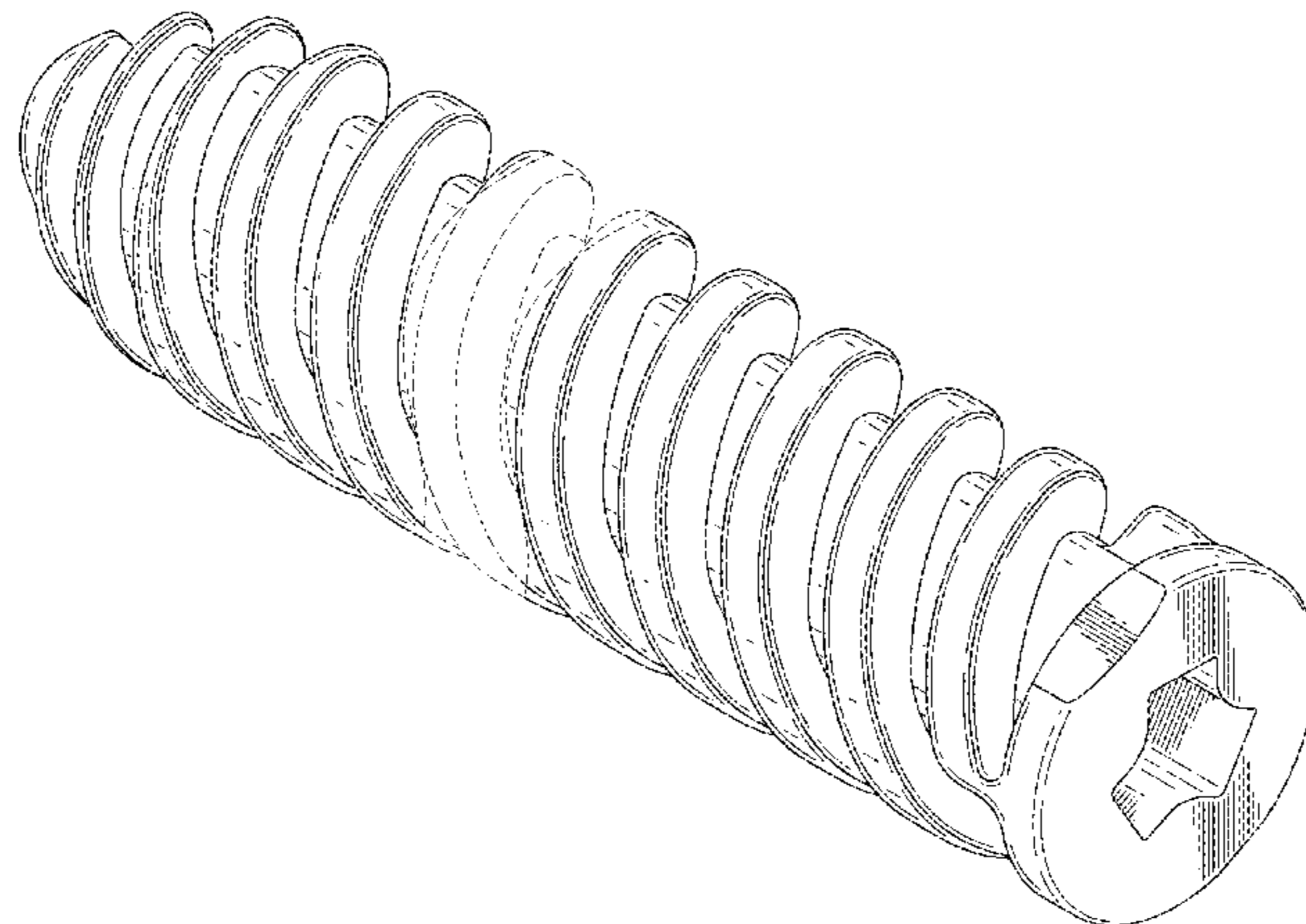
U.S. PATENT DOCUMENTS

5,116,337 A 5/1992 Johnson
5,383,878 A 1/1995 Roger et al.
5,443,509 A 8/1995 Boucher et al.
6,123,710 A 9/2000 Pinczewski et al.
D583,945 S * 12/2008 Anitua Aldecoa D24/156
D588,699 S * 3/2009 Aldecoa D24/156
D588,700 S * 3/2009 Anitua Aldecoa D24/156
D603,512 S * 11/2009 Emanuelli D24/156
D622,847 S 8/2010 Berberich
D628,292 S 11/2010 Berberich
D653,344 S * 1/2012 Bar-Shalom D24/156
D765,862 S * 9/2016 Schendel D24/156

(Continued)

FIG. 1 is a front perspective view of an interference bone screw according to the present invention.
FIG. 2 is a front view of the interference bone screw of FIG. 1.
FIG. 3 is a rear view of the interference bone screw of FIG. 1.
FIG. 4 is a left side view of the interference bone screw of FIG. 1.
FIG. 5 is a right side view of the interference bone screw of FIG. 1.
FIG. 6 is a top view of the interference bone screw of FIG. 1; and,
FIG. 7 is a bottom view of the interference bone screw of FIG. 1.
The broken lines shown in FIGS. 1-7 illustrate portions of the interference bone screw that form no part of the claimed design.

1 Claim, 7 Drawing Sheets



(56)

References Cited

U.S. PATENT DOCUMENTS

2012/0158137 A1 6/2012 Pinczewski

FOREIGN PATENT DOCUMENTS

WO WO 2005/058175 A1 6/2005

WO WO 2012/080846 A2 6/2012

* cited by examiner

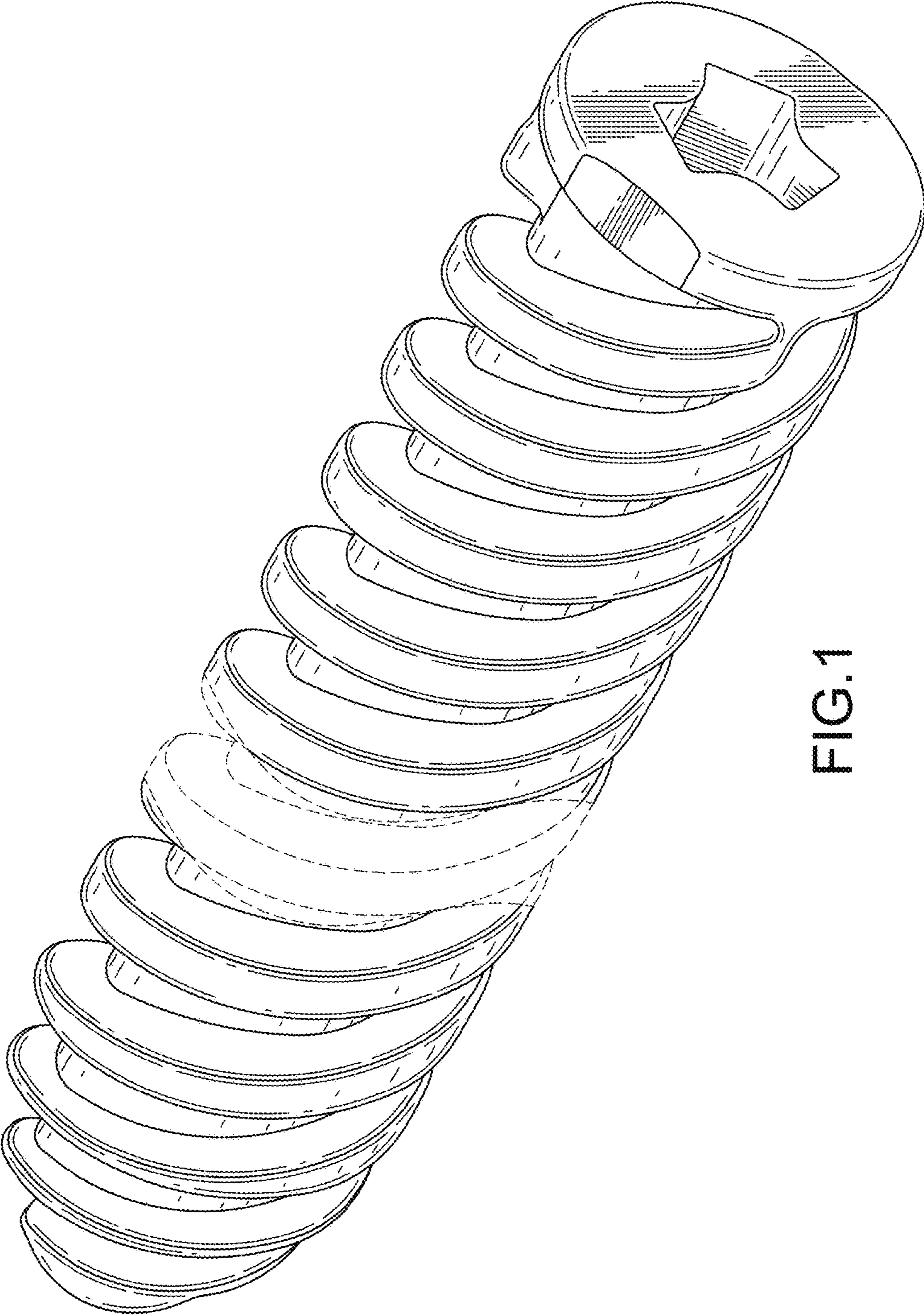


FIG.1

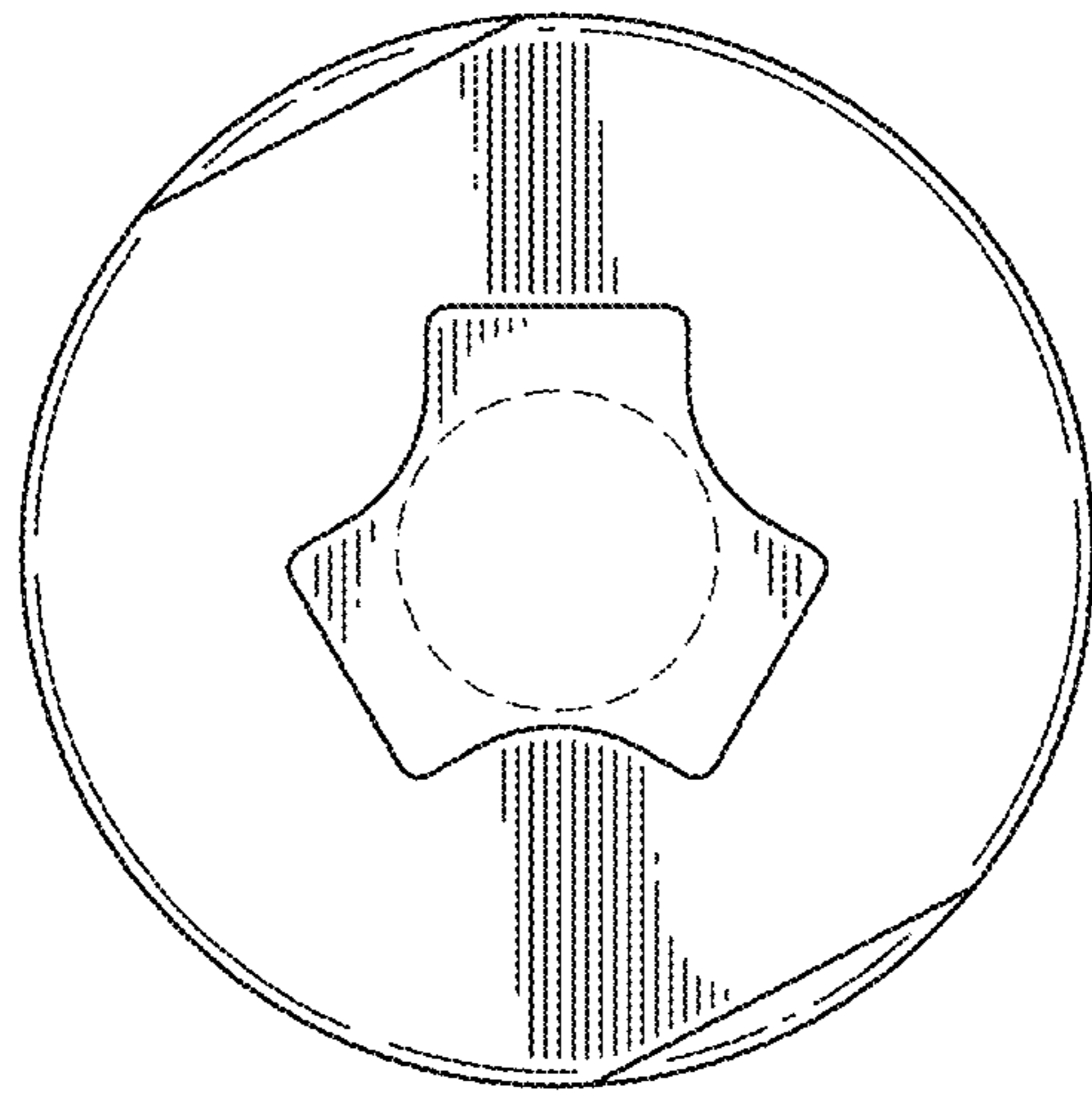


FIG.2

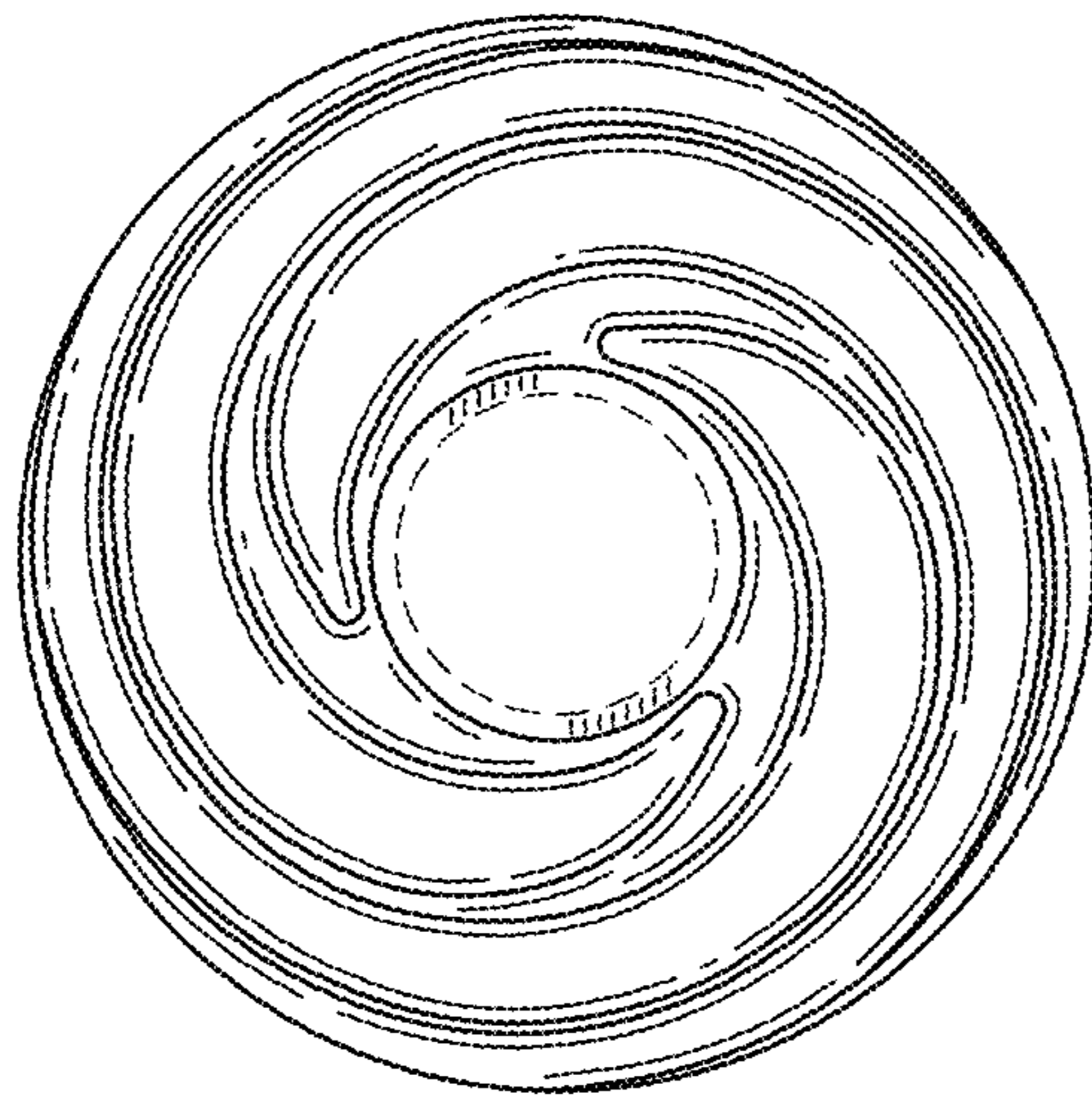


FIG.3

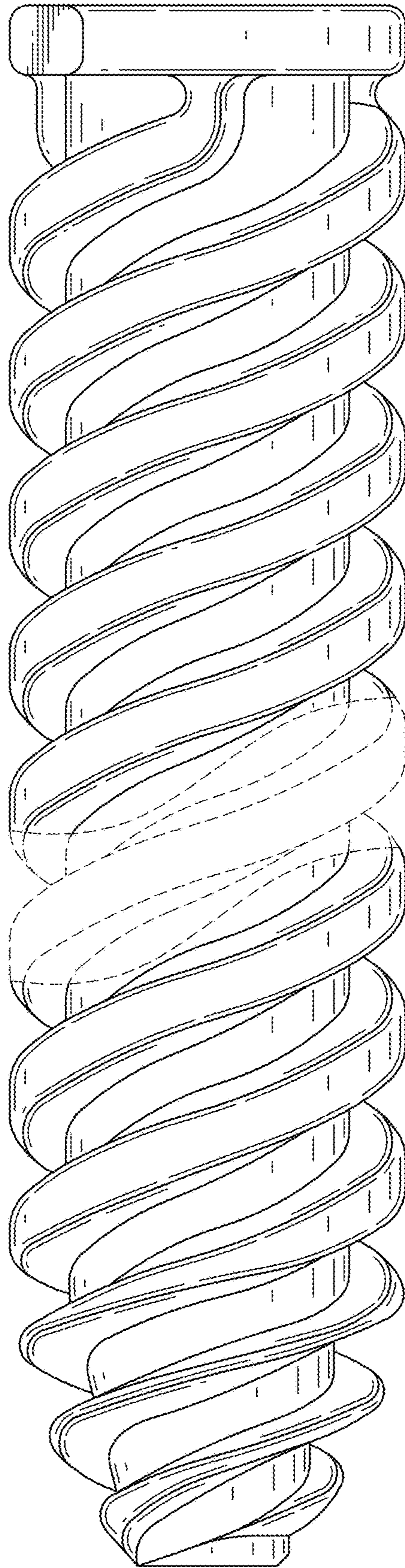


FIG.4

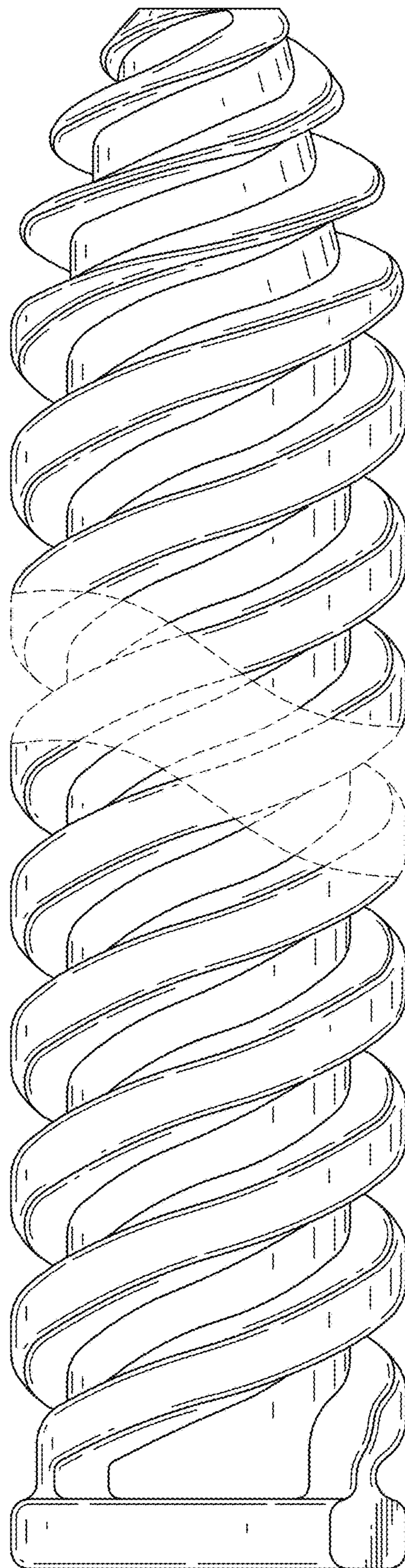


FIG.5

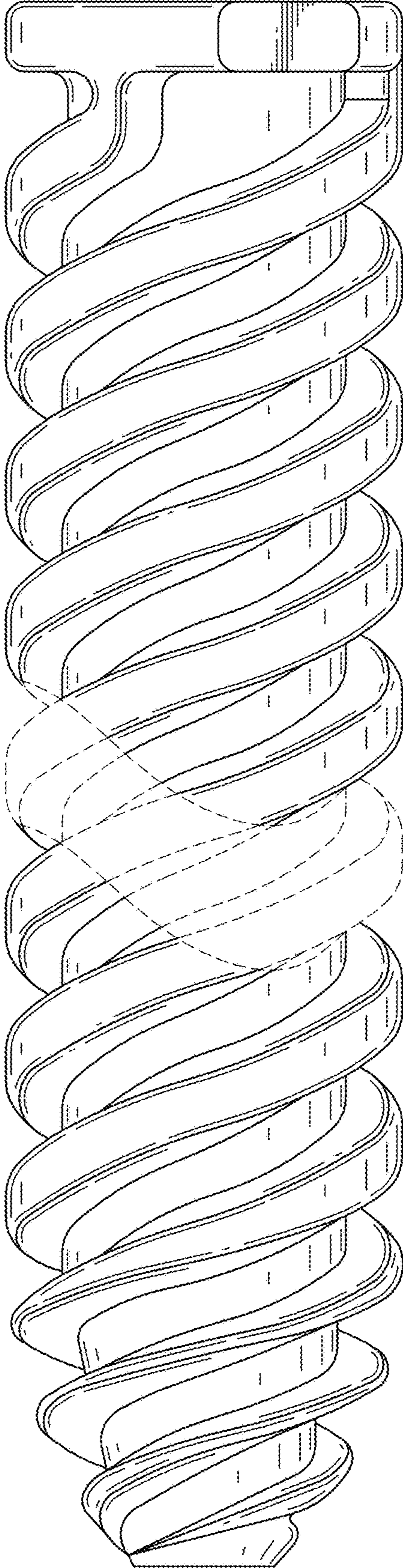


FIG.6

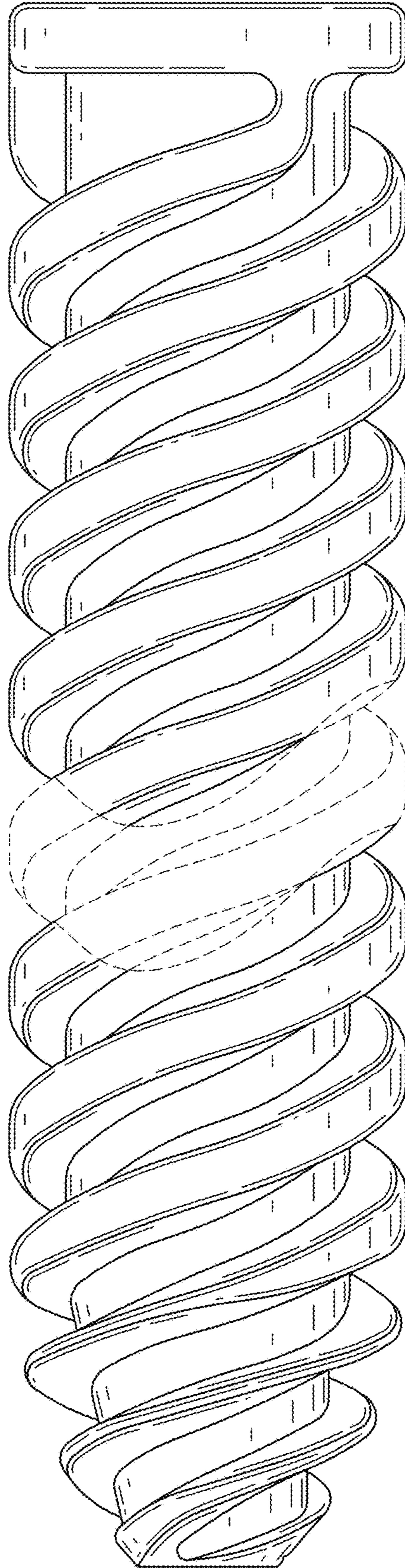


FIG.7