



US00D812745S

(12) **United States Design Patent**
Pascullo

(10) **Patent No.:** **US D812,745 S**
(45) **Date of Patent:** **** Mar. 13, 2018**

- (54) **DERMAPLANER**
- (71) Applicant: **Tweezerman International, LLC**, Port Washington, NY (US)
- (72) Inventor: **Christine Elizabeth Pascullo**, Syosset, NY (US)
- (73) Assignee: **Tweezerman International, LLC**, Port Washington, NY (US)
- (**) Term: **15 Years**
- (21) Appl. No.: **29/596,822**
- (22) Filed: **Mar. 10, 2017**
- (30) **Foreign Application Priority Data**

Jan. 19, 2017 (EM) 003661016

- (51) **LOC (11) Cl.** **24-02**
- (52) **U.S. Cl.**
USPC **D24/133**
- (58) **Field of Classification Search**
USPC D24/127, 133, 146, 200, 214, 215;
D28/4, 58, 63; D4/100, 102, 127, 132,
D4/134, 136, 138; 15/21.1, 22.1, 28-29
CPC A61H 15/00; A61N 5/06; A61N 5/0617;
A45D 26/00; A61B 18/18; A46B 3/00;
A46B 3/005
See application file for complete search history.

(56) **References Cited**

U.S. PATENT DOCUMENTS

1,852,362 A	4/1932	Newby	
D213,481 S	3/1969	Hubbell	
D226,583 S *	3/1973	Welch	D24/214
D297,257 S	8/1988	Kohler, Jr. et al.	
D309,799 S	8/1990	Ouellette	
D425,997 S *	5/2000	Jakubow	D24/215
D442,331 S	5/2001	Pannozzo et al.	

D451,244 S	11/2001	Chen et al.
D459,027 S	6/2002	Chen et al.
D464,172 S	10/2002	Shepperson
D477,965 S	8/2003	Kortleven et al.
D486,607 S	2/2004	Chien
D488,259 S	4/2004	Dombrowski et al.
D509,301 S	9/2005	Talbot et al.
D511,024 S	10/2005	Dombrowski et al.
D519,675 S	4/2006	Armstrong
D523,561 S	6/2006	Telford
D524,985 S	7/2006	Lukan et al.
D524,987 S	7/2006	Lukan
D527,843 S	9/2006	Bartsch et al.
D537,981 S	3/2007	Armstrong

(Continued)

FOREIGN PATENT DOCUMENTS

CA	32908 A	9/1970
CA	35488 S	6/1972

(Continued)

Primary Examiner — Rosemary K Tarcza
Assistant Examiner — Yolando Robinson
(74) *Attorney, Agent, or Firm* — Maybeck & Hoffman, P.A.; Gregory L. Mayback

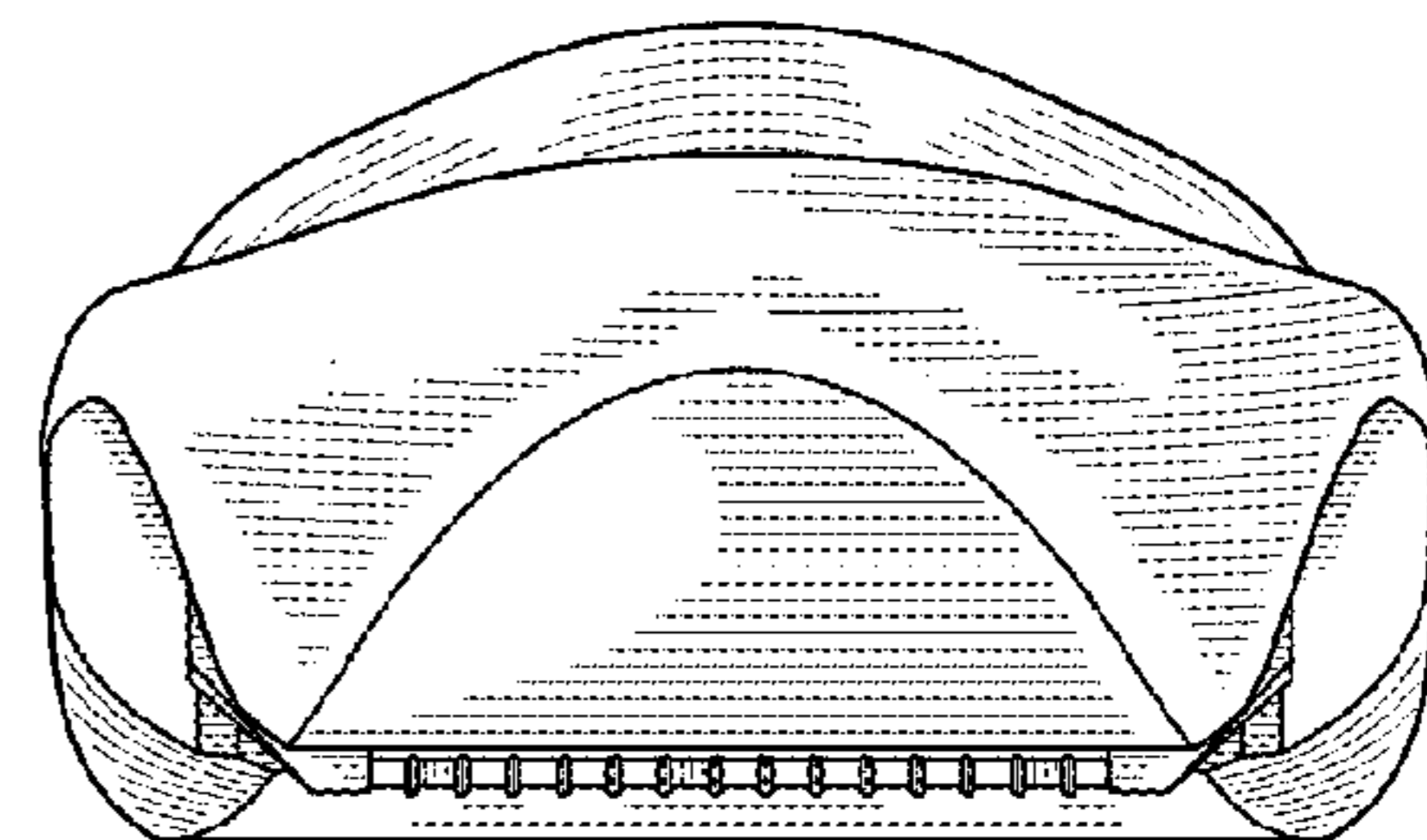
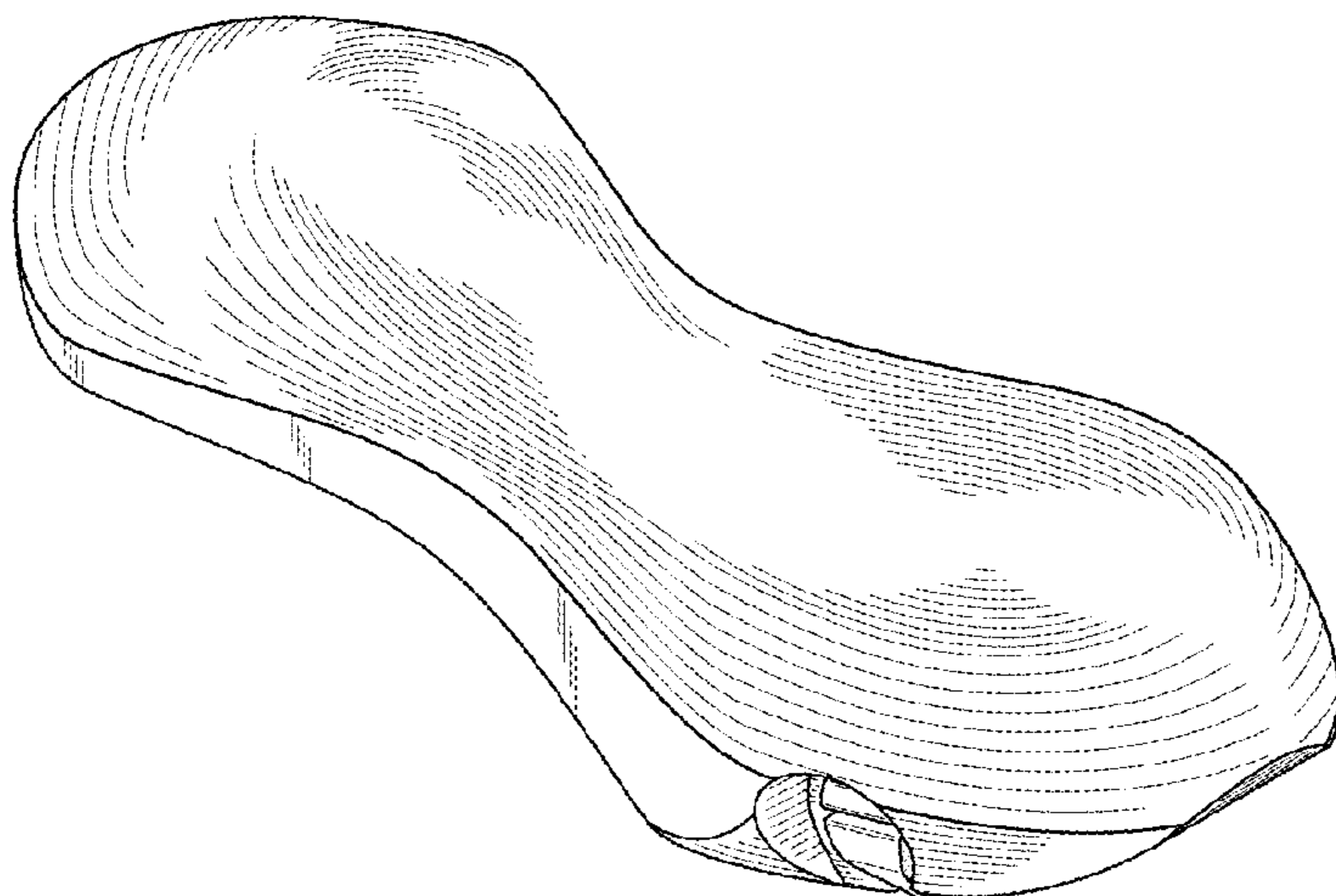
(57) **CLAIM**

The ornamental design for a dermaplaner, as shown and described.

DESCRIPTION

FIG. 1 is a perspective view of a dermaplaner showing my new design;
FIG. 2 is an elevational view of a rear side thereof;
FIG. 3 is an elevational view of a front side thereof from a side opposite the view of FIG. 2;
FIG. 4 is a top plan view thereof;
FIG. 5 is a bottom plan view thereof;
FIG. 6 is an elevational view of a left side thereof; and,
FIG. 7 is an elevational view of a right side thereof.

1 Claim, 3 Drawing Sheets



(56)

References Cited

U.S. PATENT DOCUMENTS

D562,008 S 2/2008 Liu
 D575,455 S 8/2008 Fiene et al.
 D595,964 S 7/2009 Choi
 D601,803 S 10/2009 Reishus et al.
 D601,805 S 10/2009 Kayser
 D601,807 S 10/2009 Choi
 D609,856 S 2/2010 Cotroneo
 D619,762 S 7/2010 Micinilio
 D629,209 S 12/2010 Taggart et al.
 D637,309 S * 5/2011 Park D24/215
 D646,017 S 9/2011 Anderson
 D658,883 S * 5/2012 Winkler D4/101
 D661,017 S 5/2012 Ahn
 D661,837 S 6/2012 Daniel
 D668,817 S 10/2012 Psimadas et al.
 D671,226 S * 11/2012 Aulwes D24/215
 D675,373 S 1/2013 Schmitz
 D683,139 S 5/2013 Chikos et al.
 D699,890 S 2/2014 Leman
 D702,879 S 4/2014 Tsai
 D702,880 S 4/2014 Tsai
 D713,992 S 9/2014 Lolani et al.
 D715,554 S 10/2014 Hosler et al.
 D715,555 S 10/2014 Hosler et al.
 D725,789 S 3/2015 Matsushita

D726,926 S 4/2015 Matsushita
 D726,927 S 4/2015 Matsushita
 D735,406 S 7/2015 Poletto
 D754,395 S 4/2016 Yeo
 D759,256 S * 6/2016 Chen D24/200
 D773,823 S * 12/2016 Wong D4/102
 D786,499 S 5/2017 Levy
 9,814,904 B2 * 11/2017 Jones A61N 5/0616
 2003/0125754 A1 * 7/2003 Davis A45D 26/0004
 606/133
 2014/0316438 A1 * 10/2014 Tweg A45D 26/00
 606/133
 2014/0336565 A1 * 11/2014 Nichols A61M 11/005
 604/24
 2016/0374758 A1 * 12/2016 Jones A61N 5/0616
 606/9

FOREIGN PATENT DOCUMENTS

CA 69994 2/1992
 CA 83777 5/1998
 CA 85224 11/1998
 CA 85225 11/1998
 CA 121483 S 2/2008
 CA 125428 S 3/2009
 CA 125431 S 3/2009
 CA 131940 S 4/2010

* cited by examiner

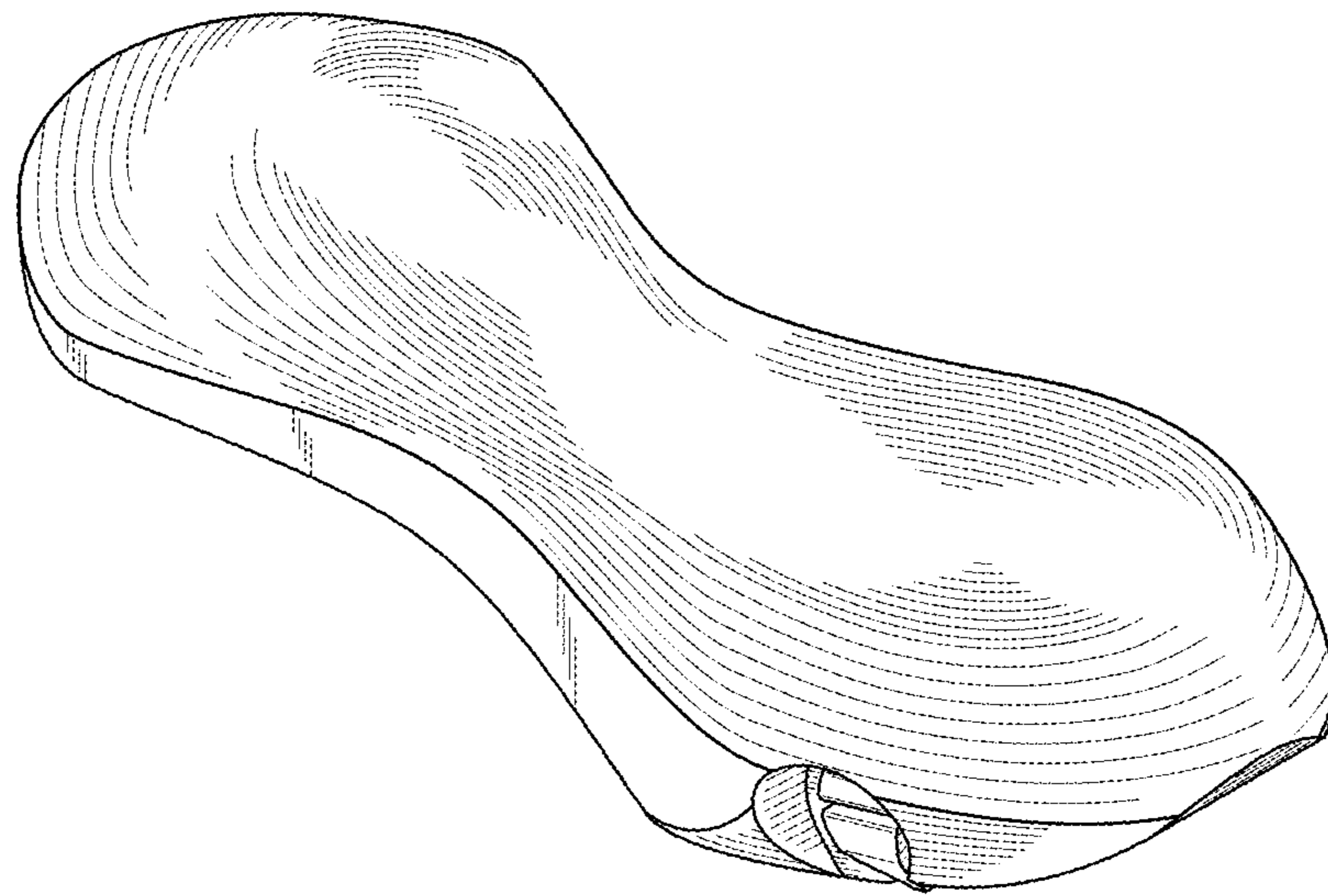


FIG. 1

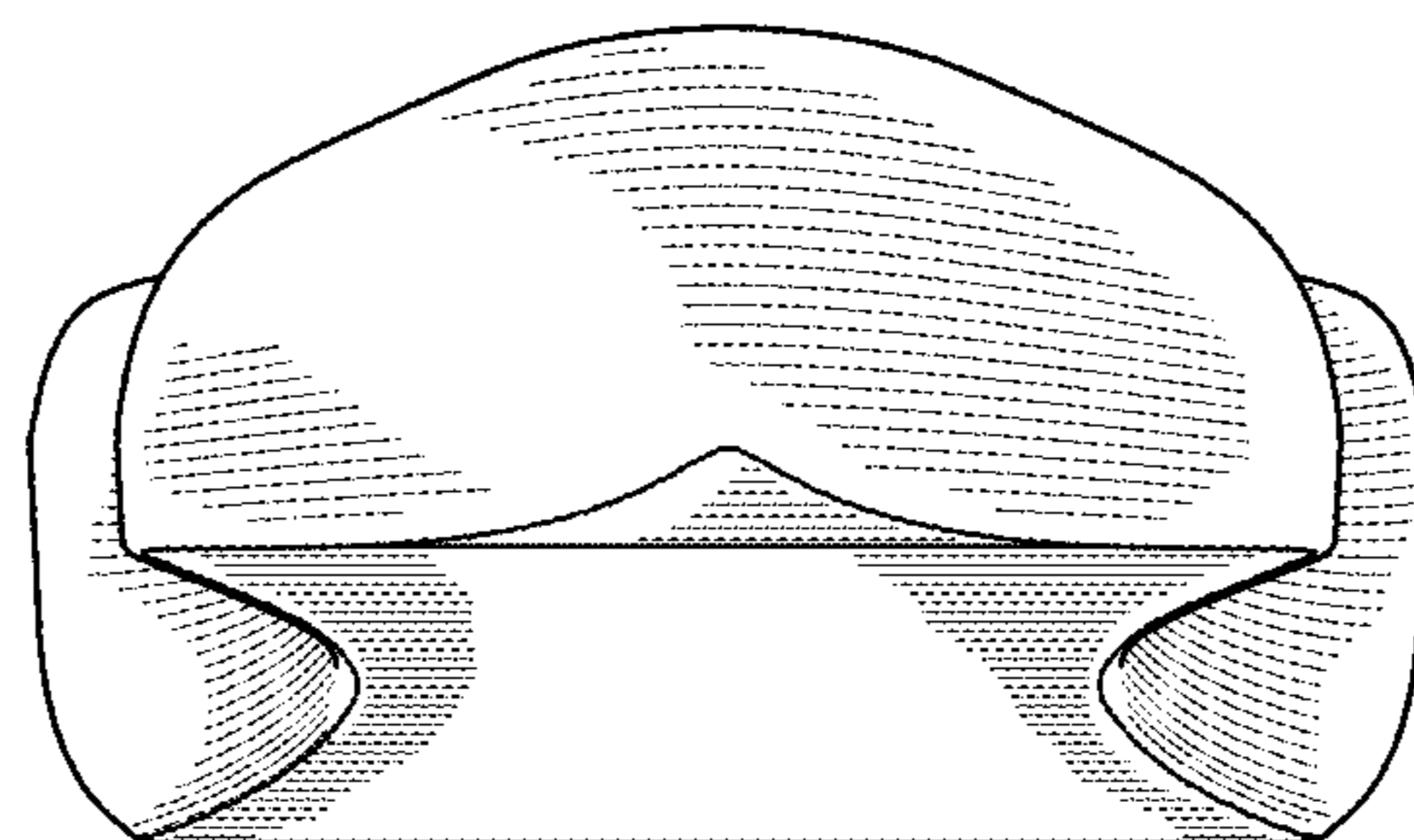


FIG. 2

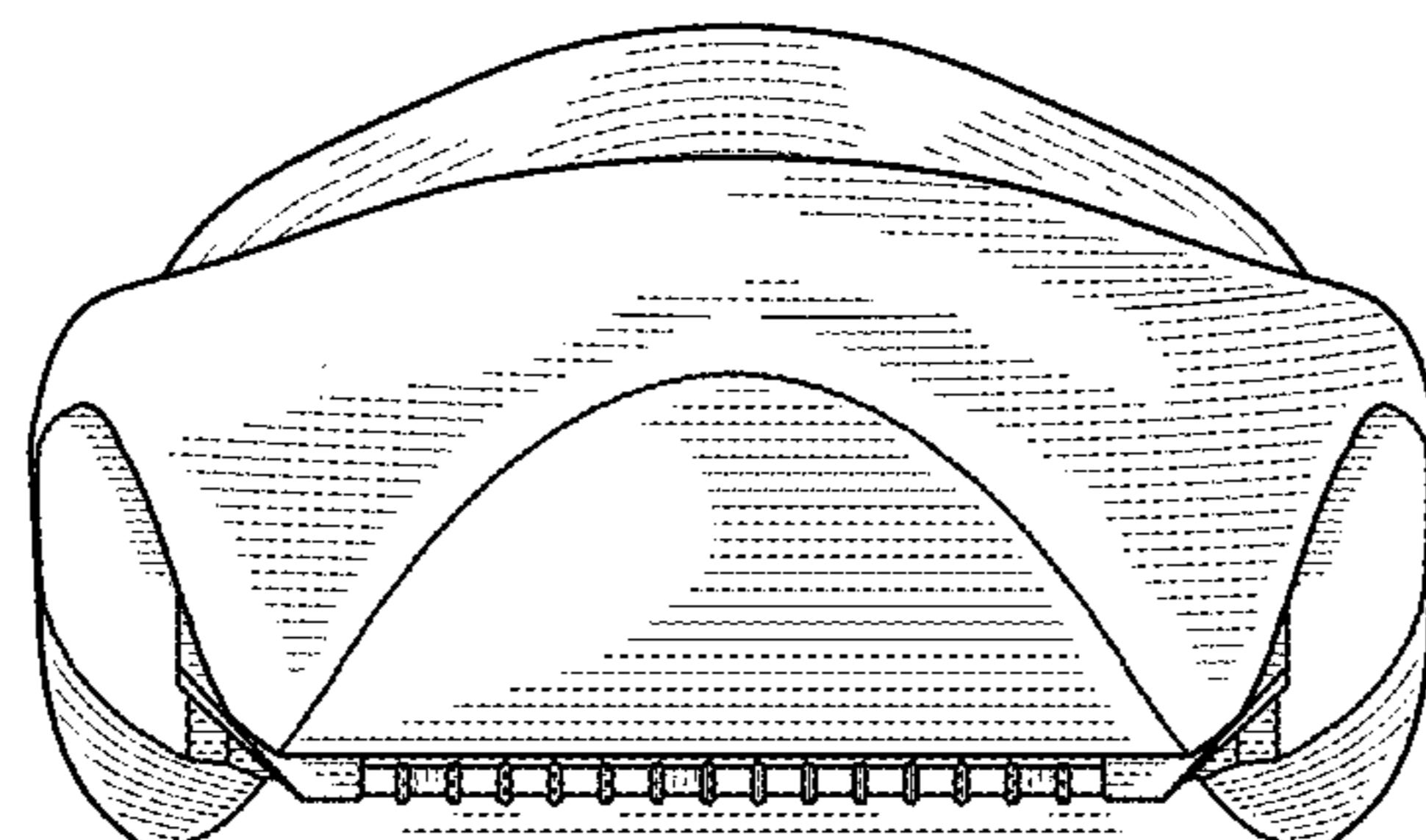


FIG. 3

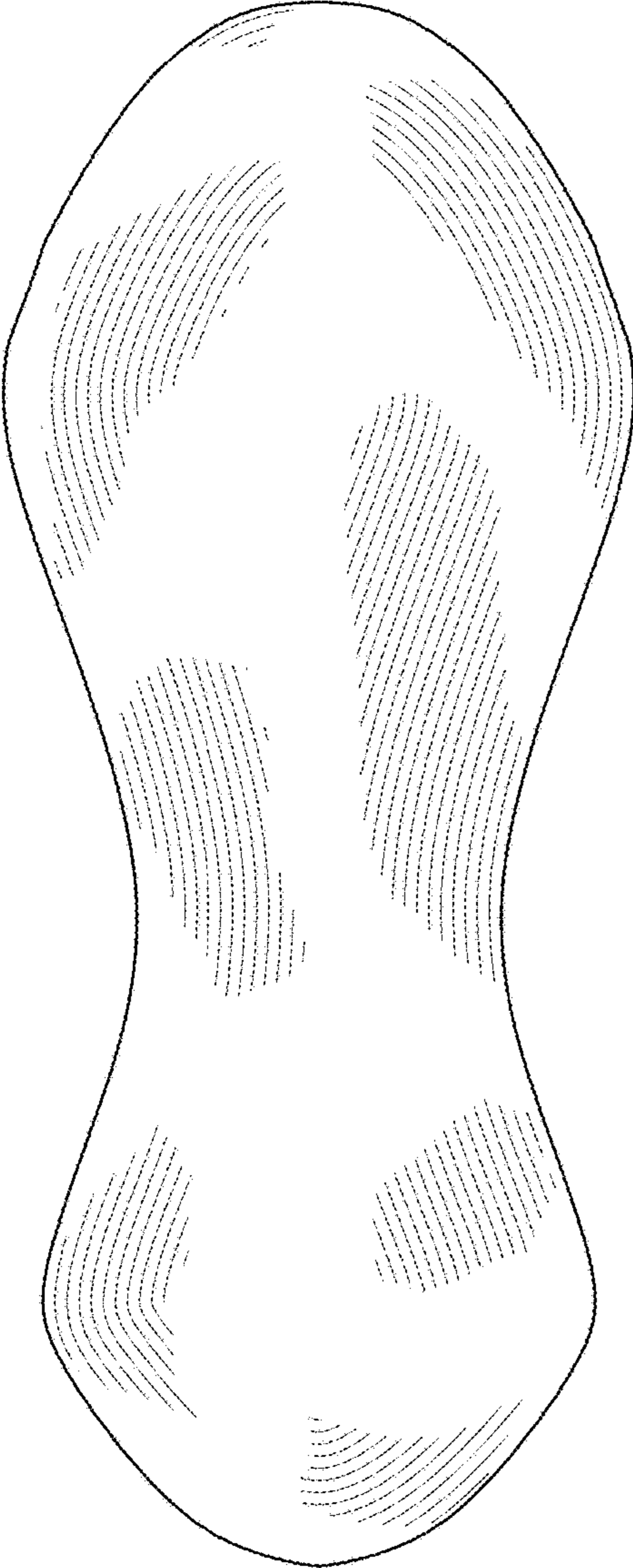


FIG. 4

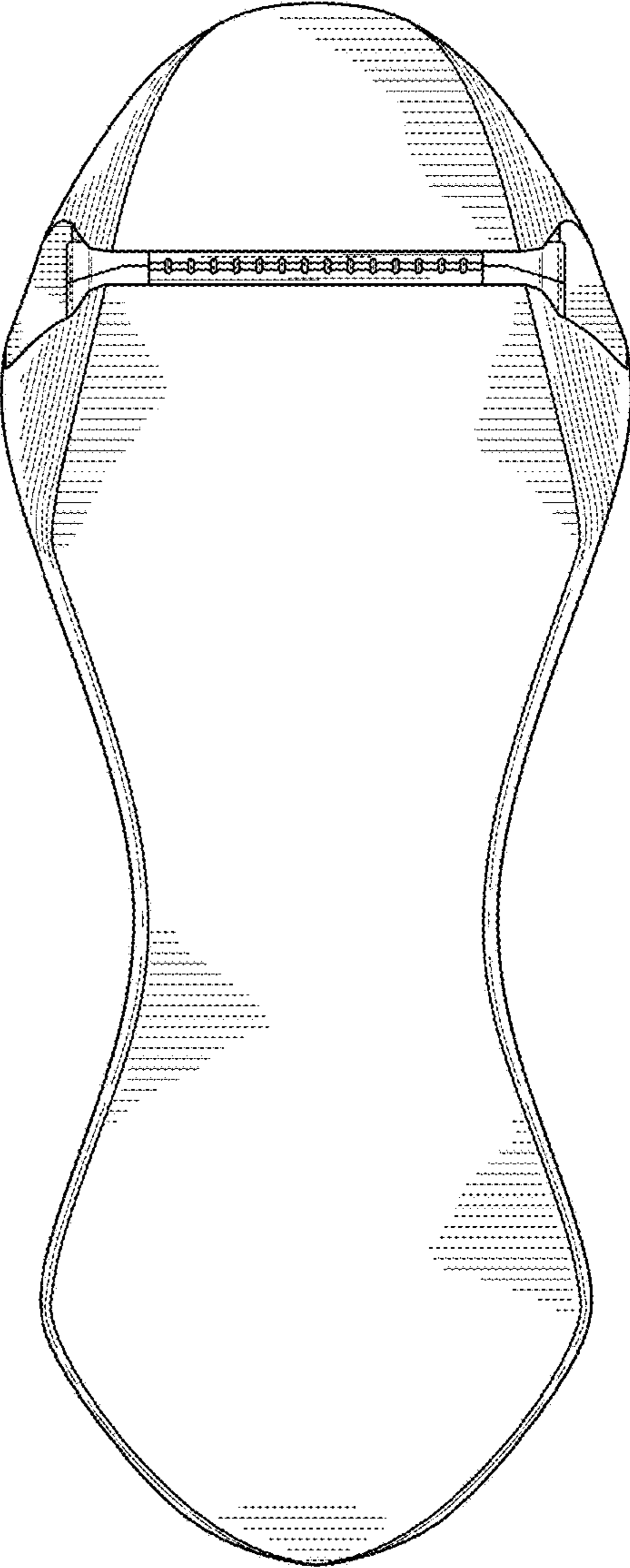


FIG. 5

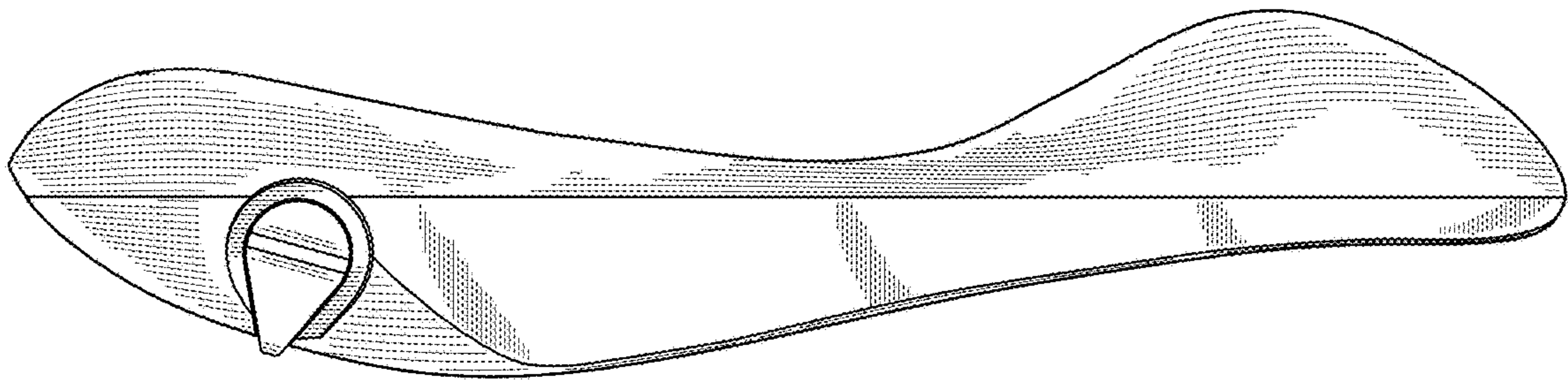


FIG. 6

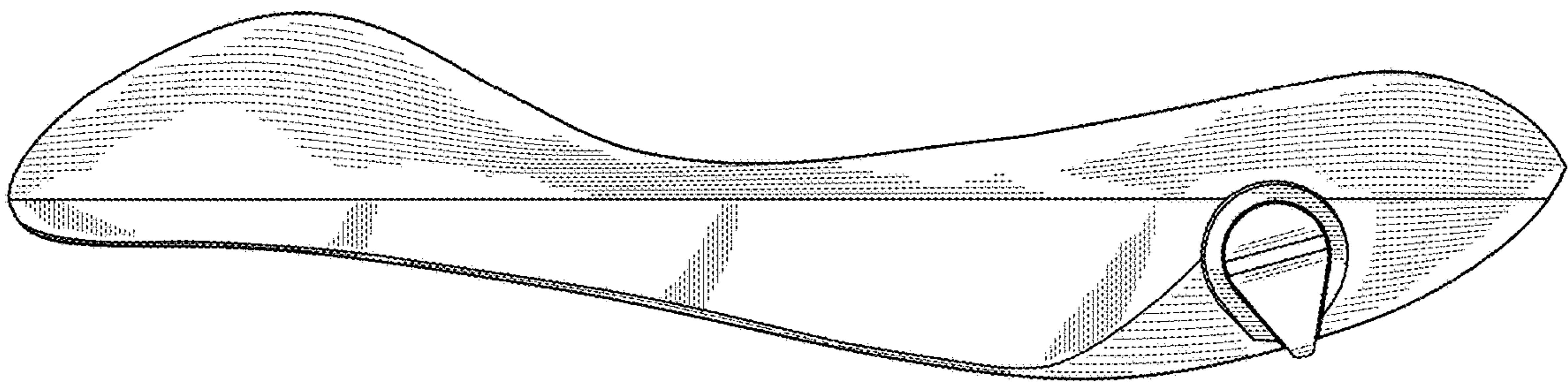


FIG. 7