



US00D812743S

(12) **United States Design Patent**  
**Guala**

(10) **Patent No.:** **US D812,743 S**  
(45) **Date of Patent:** **\*\* Mar. 13, 2018**

(54) **INJECTION SITE FOR MEDICAL FLUID LINES**

(71) Applicant: **INDUSTRIE BORLA S.p.A.**,  
Moncalieri (Turin) (IT)

(72) Inventor: **Gianni Guala**, Turin (IT)

(73) Assignee: **Industrie Borla S.p.A.**, Moncalieri  
(Turin) (IT)

(\*\*) Term: **15 Years**

(21) Appl. No.: **29/567,278**

(22) Filed: **Jun. 7, 2016**

(30) **Foreign Application Priority Data**

Dec. 7, 2015 (EM) ..... 002898577-0002

(51) **LOC (11) Cl.** ..... **24-02**

(52) **U.S. Cl.**  
USPC ..... **D24/129**

(58) **Field of Classification Search**  
USPC ..... D24/129, 112-114, 130, 127, 104, 133,  
D24/186, 108; 606/181, 185; 604/264,  
604/272, 115, 164.01-164.09, 533, 232,  
604/187, 168.01, 192, 19, 48, 93.01, 523,  
604/524, 526; 600/101, 139, 143;  
128/200.24, 207.14, 207.15; 601/67  
CPC ..... A61M 25/00; A61M 25/0014; A61M  
25/0097; A61M 25/0026  
See application file for complete search history.

(56) **References Cited**

**U.S. PATENT DOCUMENTS**

5,056,514 A \* 10/1991 DuPont ..... A61M 16/04  
128/204.23  
D357,735 S \* 4/1995 McPhee ..... D23/233

5,639,810 A \* 6/1997 Smith, III ..... A61L 29/041  
524/269  
6,026,810 A \* 2/2000 Baird ..... A61M 16/0463  
128/202.27  
D570,475 S \* 6/2008 Mosler ..... D24/129  
D578,214 S \* 10/2008 Mosler ..... D24/129  
D638,931 S \* 5/2011 Graham ..... A61M 16/0463  
D24/127  
D672,037 S \* 12/2012 Miller ..... D24/129  
9,585,999 B2 \* 3/2017 Guala ..... A61M 1/367  
2006/0108008 A1 \* 5/2006 Guala ..... A61M 39/24  
137/605  
2008/0135051 A1 \* 6/2008 Lee ..... A61M 16/0463  
128/207.14

(Continued)

*Primary Examiner* — David Muller  
*Assistant Examiner* — Nathan Johnston  
(74) *Attorney, Agent, or Firm* — Heslin Rothenberg  
Farley & Mesiti P.C.; Victor A. Cardona, Esq.

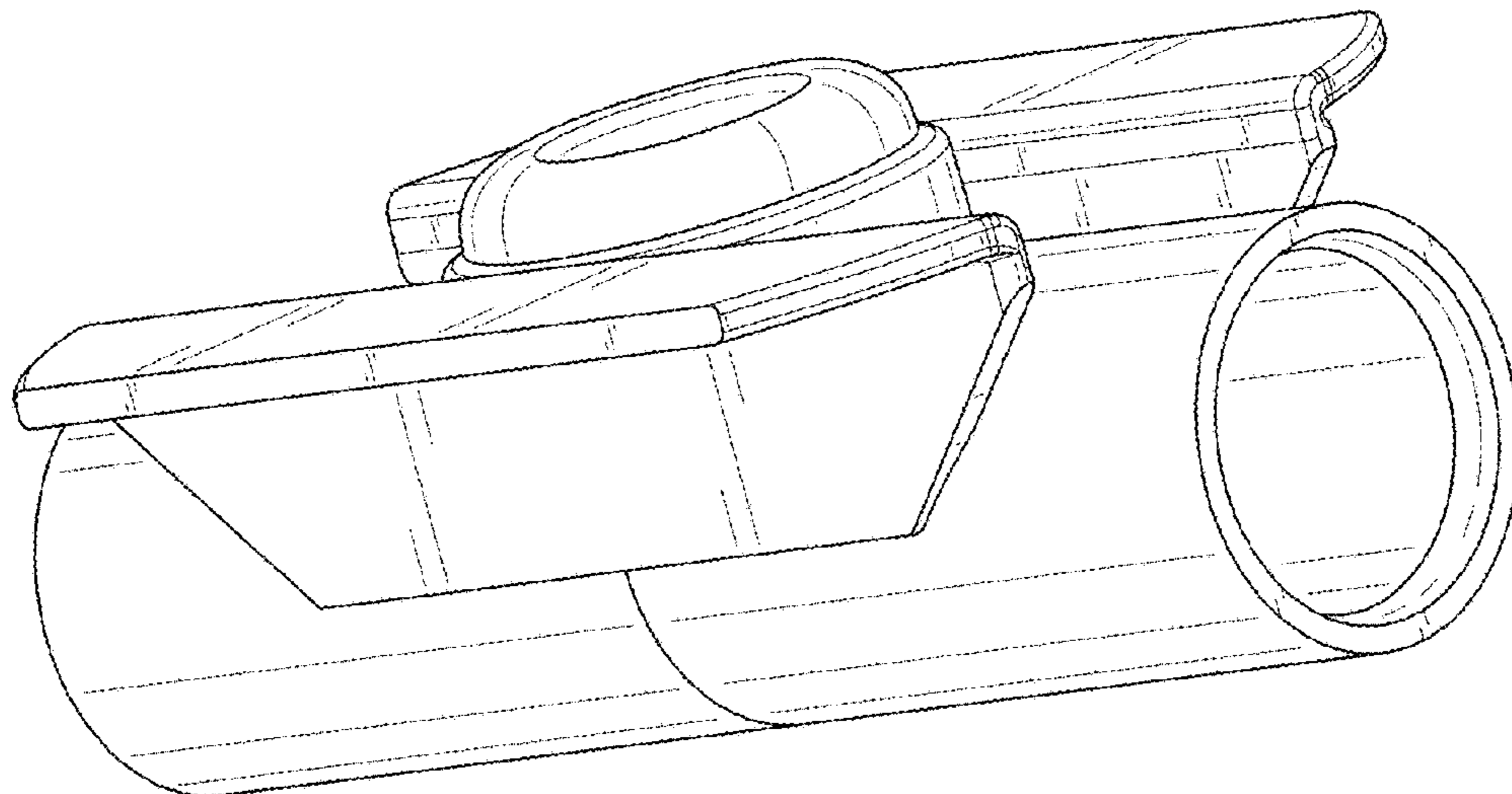
(57) **CLAIM**

I claim the ornamental design for an injection site for medical fluid lines, as shown and described.

**DESCRIPTION**

FIG. 1 is a front perspective view of the injection site for medical fluid lines comprising the new design;  
FIG. 2 is a front elevation view thereof, the rear elevation view being identical thereto;  
FIG. 3 is a left side elevation view thereof, the right side elevation view being identical thereto;  
FIG. 4 is a top plan view thereof;  
FIG. 5 is a bottom plan view thereof; and,  
FIG. 6 is a rear perspective view thereof.  
The dash dot lines immediately adjacent to the claimed area in FIG. 4 represent the boundaries of the claimed design. The dashed lines in the figures illustrate the portions of the design that form no part of the claimed design. None of the broken lines form any part of the claimed design.

**1 Claim, 3 Drawing Sheets**



(56)

**References Cited**

U.S. PATENT DOCUMENTS

2009/0005761 A1\* 1/2009 Guala ..... A61M 39/045  
604/535  
2010/0179514 A1\* 7/2010 Guala ..... A61M 39/045  
604/537

\* cited by examiner

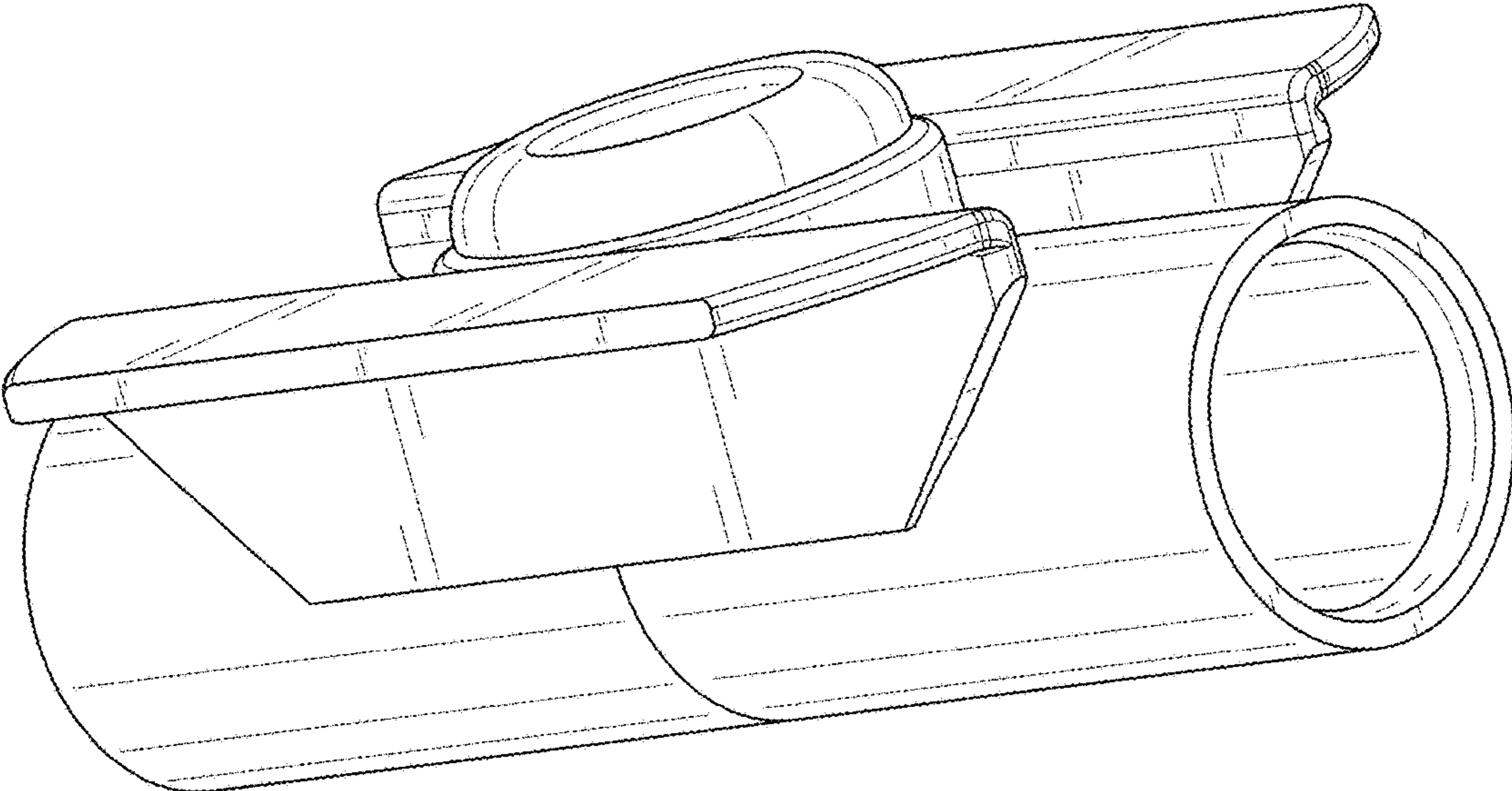


FIG. 1

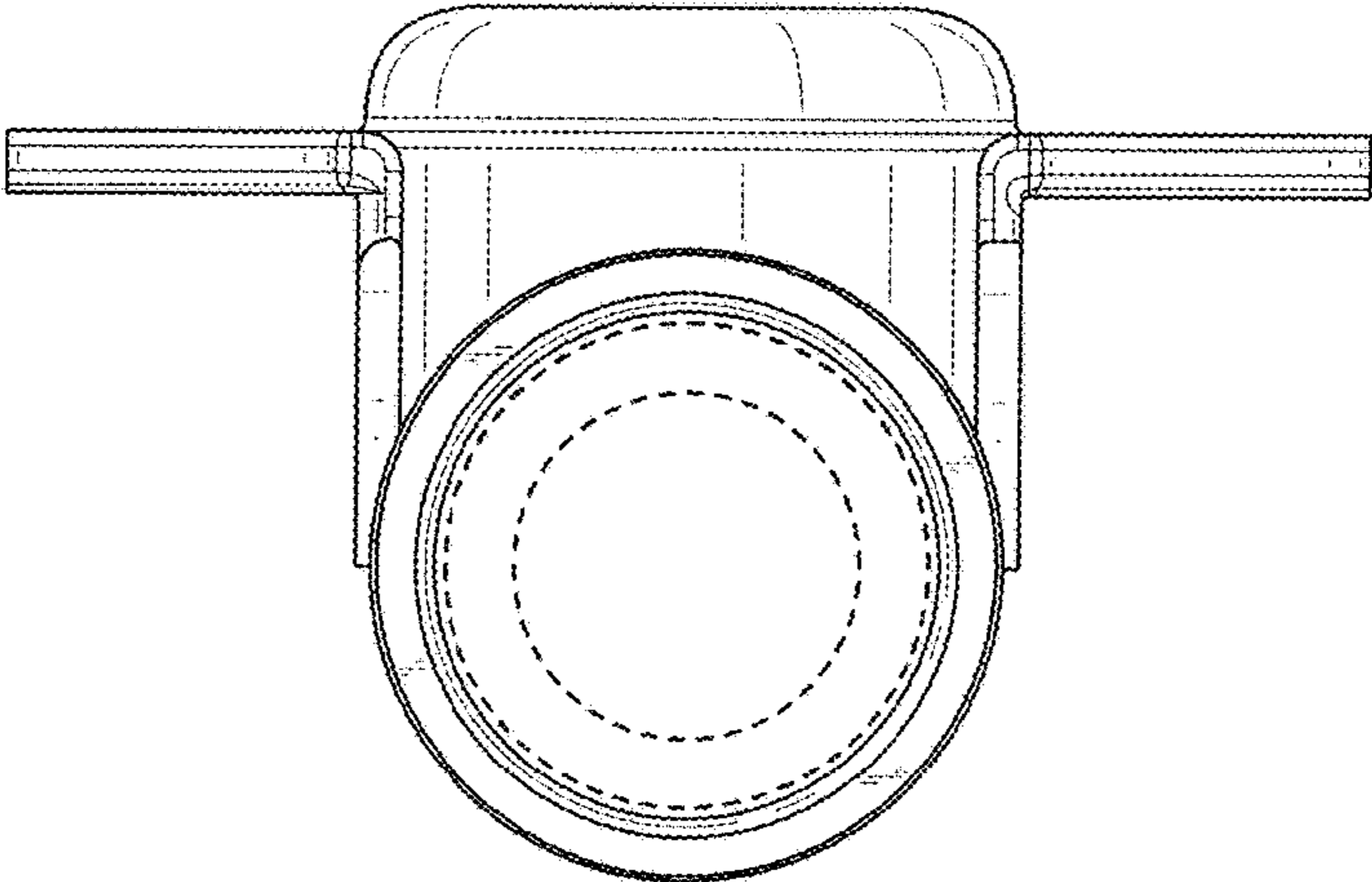


FIG. 2

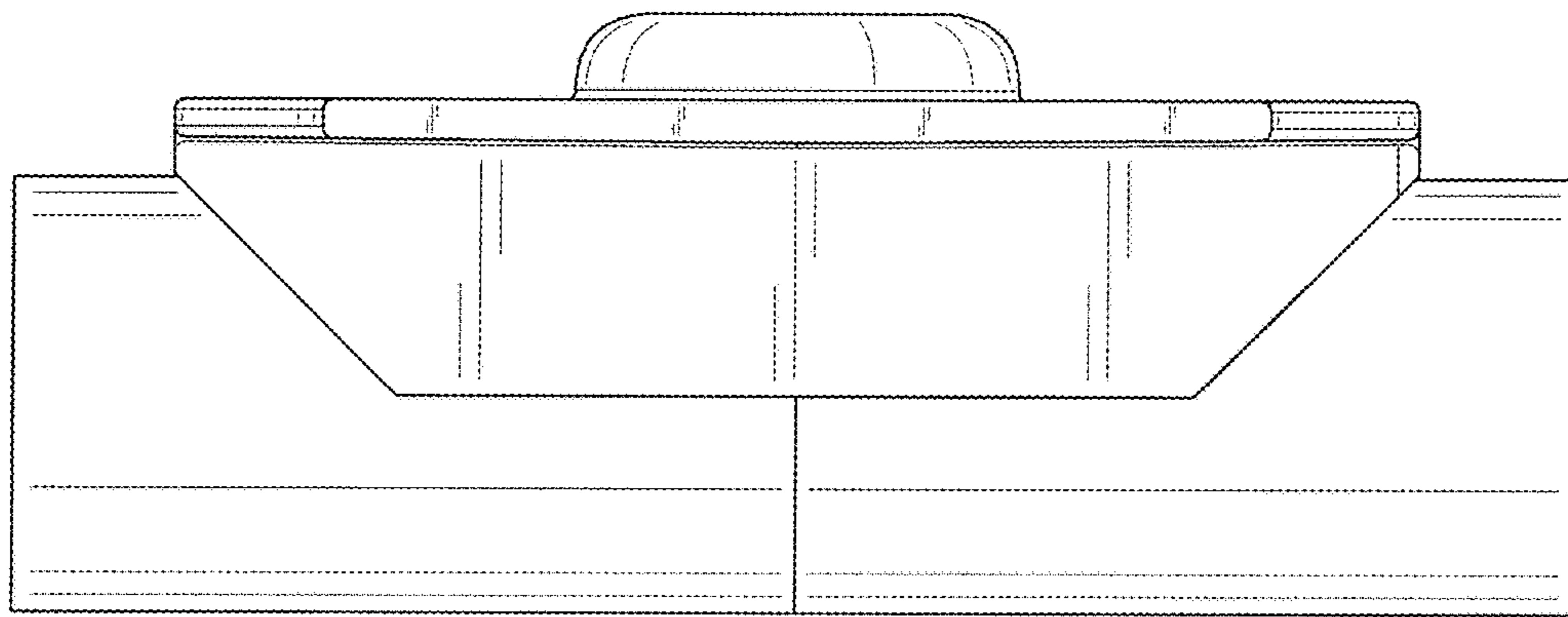


FIG. 3

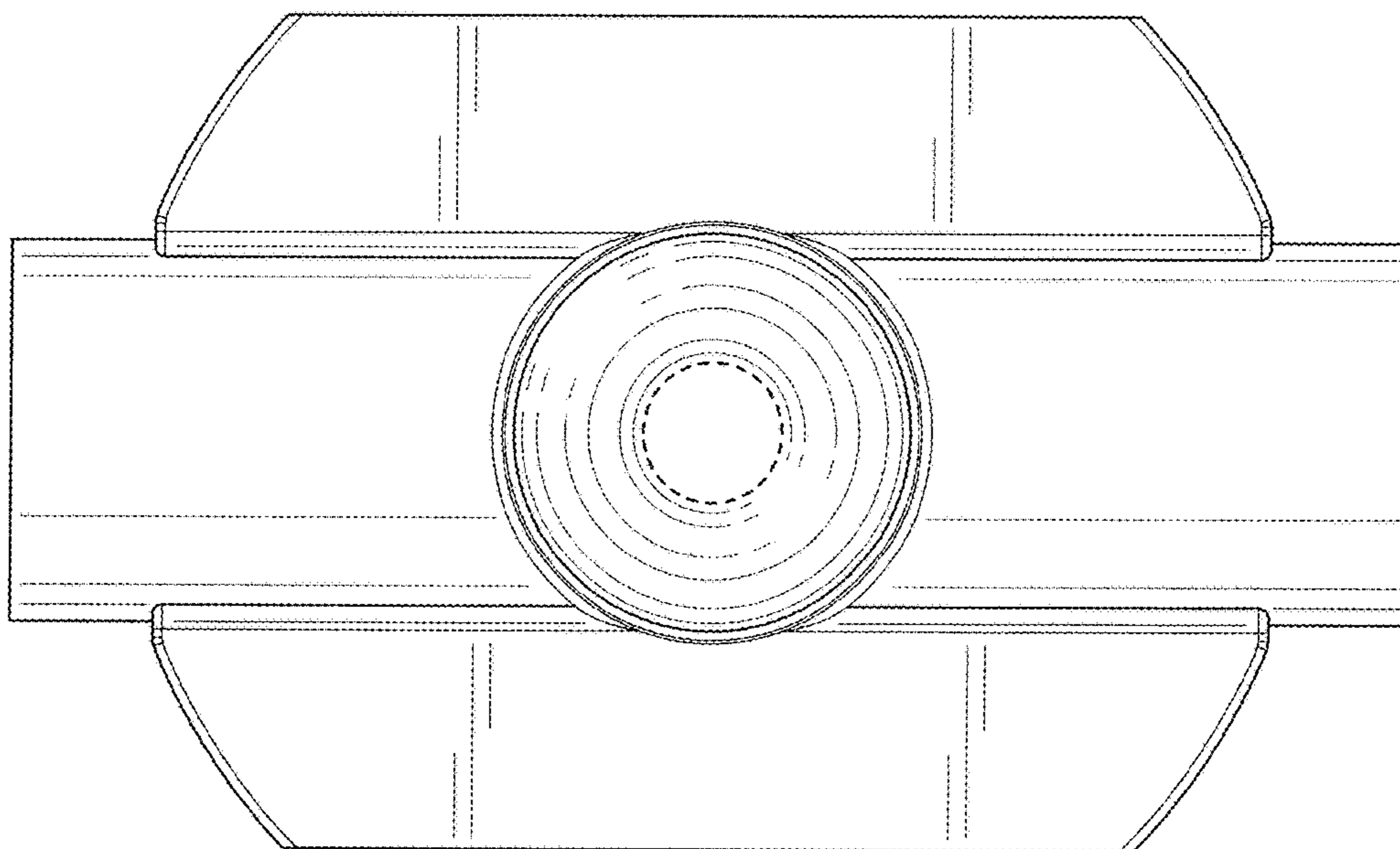


FIG. 4

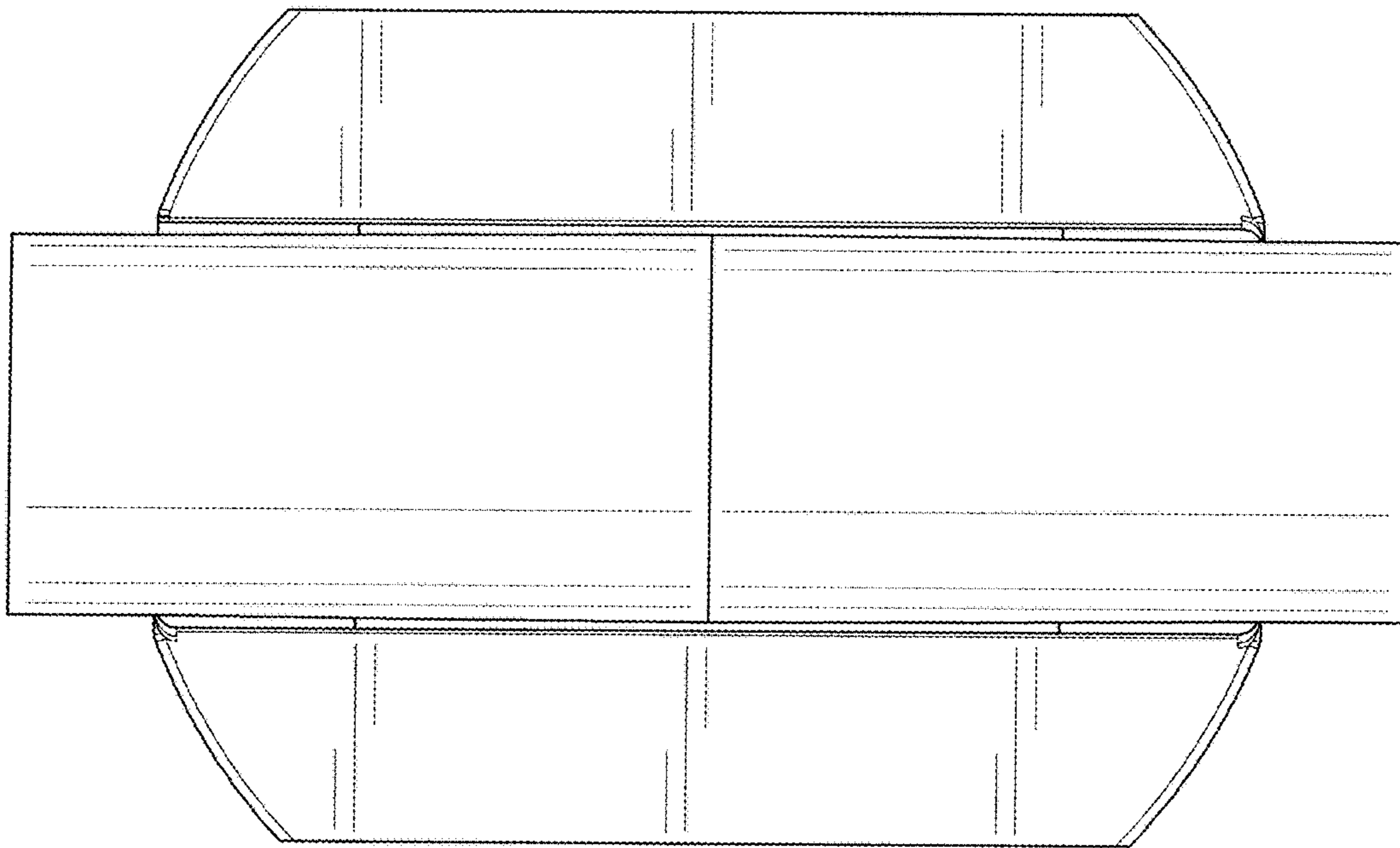


FIG. 5

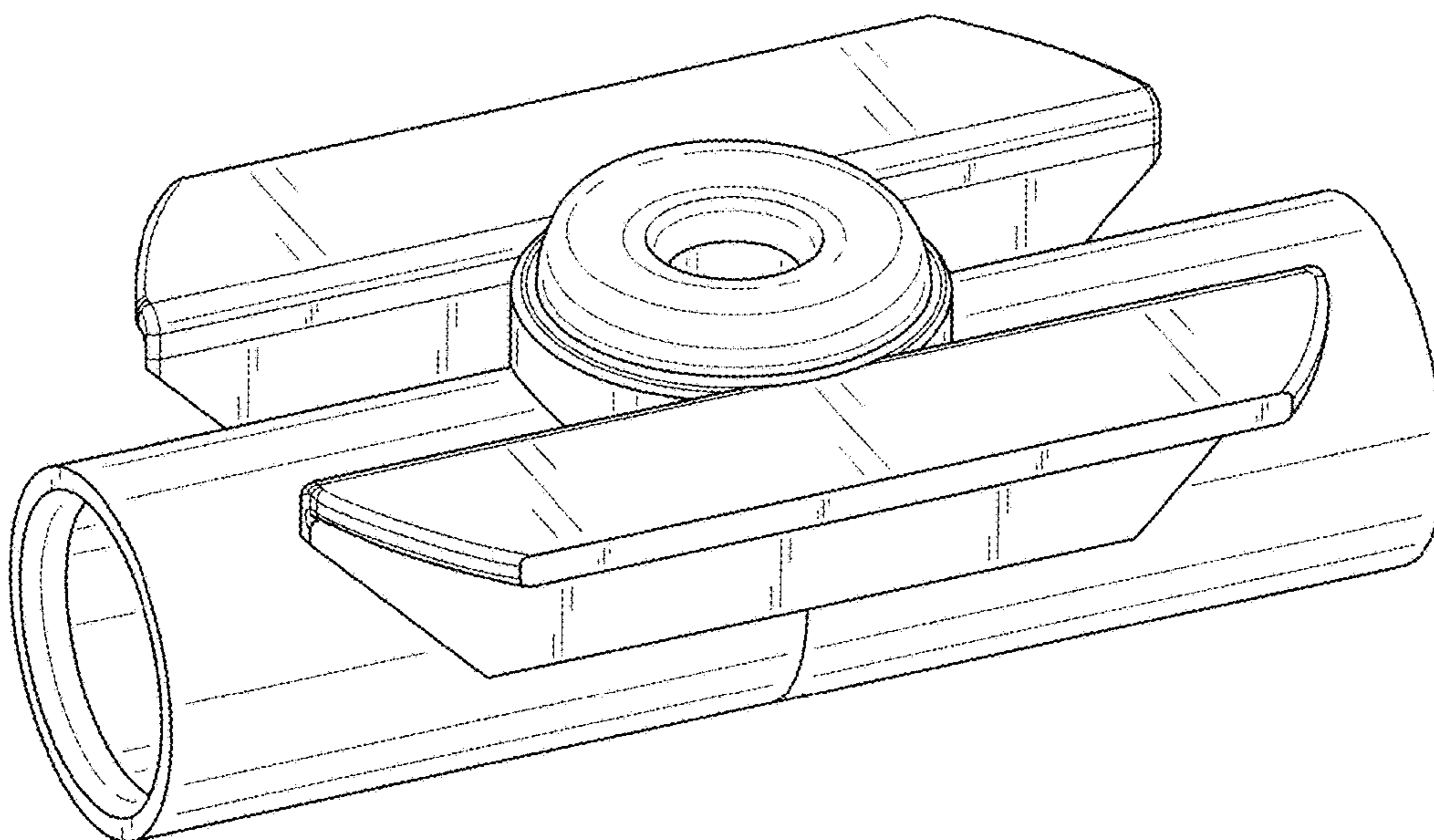


FIG. 6