



US00D812742S

(12) **United States Design Patent**
Green

(10) **Patent No.:** **US D812,742 S**
(45) **Date of Patent:** **** Mar. 13, 2018**

- (54) **SANITARY NAPKIN**
- (71) Applicant: **Redonna Green**, Laurelton, NY (US)
- (72) Inventor: **Redonna Green**, Laurelton, NY (US)
- (**) Term: **15 Years**
- (21) Appl. No.: **29/597,022**
- (22) Filed: **Mar. 14, 2017**
- (51) **LOC (11) Cl.** **24-04**
- (52) **U.S. Cl.**
USPC **D24/125**
- (58) **Field of Classification Search**
USPC D24/124, 125, 126; 604/347, 348,
604/358-361, 378, 380, 385.01, 385.22,
604/385.24, 385.25
CPC A61F 13/704; A61F 13/5616; A61F
13/4758; A61F 13/472
See application file for complete search history.

D448,481 S *	9/2001	Mok	D24/124
D452,563 S *	12/2001	Mok	D24/124
D459,801 S	7/2002	Scott-Watts		
D483,485 S *	12/2003	Phillips-Nicholas	D24/125
6,656,170 B2	12/2003	Osterdahl		
D493,525 S *	7/2004	Chen	D24/124
D523,957 S *	6/2006	Persson	D24/125
7,056,311 B2	6/2006	Kinoshita		
D544,097 S *	6/2007	Tompkin	D24/125
7,597,690 B2	10/2009	Tanio		
D630,730 S *	1/2011	Clark	D24/125
2005/0267435 A1 *	12/2005	Tanio	A61F 13/4702 604/385.17
2014/0025028 A1 *	1/2014	Stewart	A61F 13/47218 604/385.03

(56) **References Cited**

U.S. PATENT DOCUMENTS

3,183,909 A	5/1965	Roehr	
4,533,357 A	8/1985	Hall	
D342,785 S *	12/1993	Farrell D24/125
D356,639 S	3/1995	Lynch	
5,702,380 A *	12/1997	Walker A61F 13/47227 604/378
5,743,896 A	4/1998	Parker	
5,873,869 A	2/1999	Hammons	

FOREIGN PATENT DOCUMENTS

WO 2011131020 A1 10/2011

* cited by examiner

Primary Examiner — Thomas Johannes
Assistant Examiner — Samantha Q. Lawrence

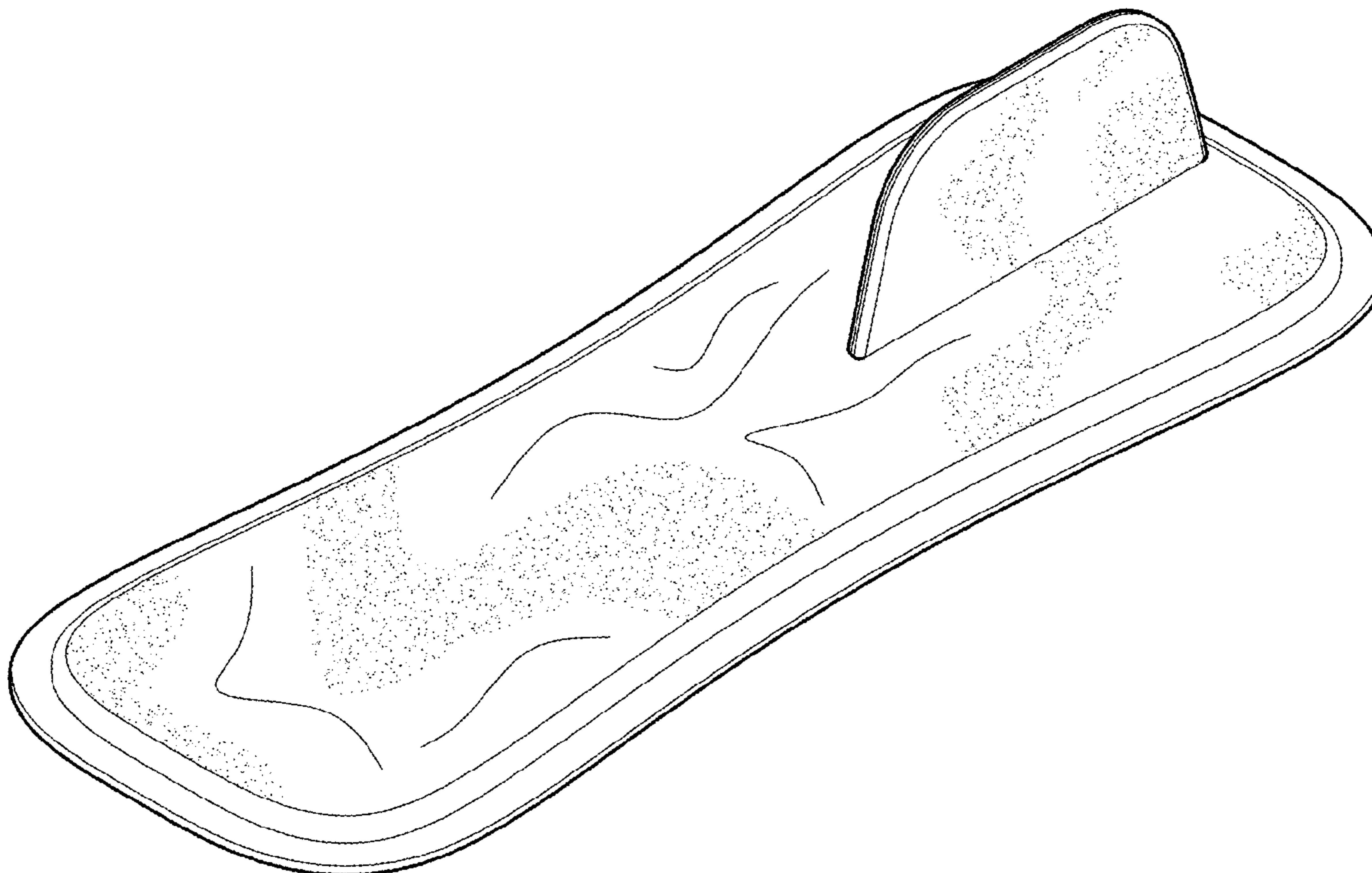
(57) **CLAIM**

I claim the ornamental design for a sanitary napkin, as shown and described.

DESCRIPTION

FIG. 1 is a perspective view of a sanitary napkin.
FIG. 2 is a side view thereof.
FIG. 3 is a bottom view thereof; and,
FIG. 4 is a front view thereof.

1 Claim, 2 Drawing Sheets



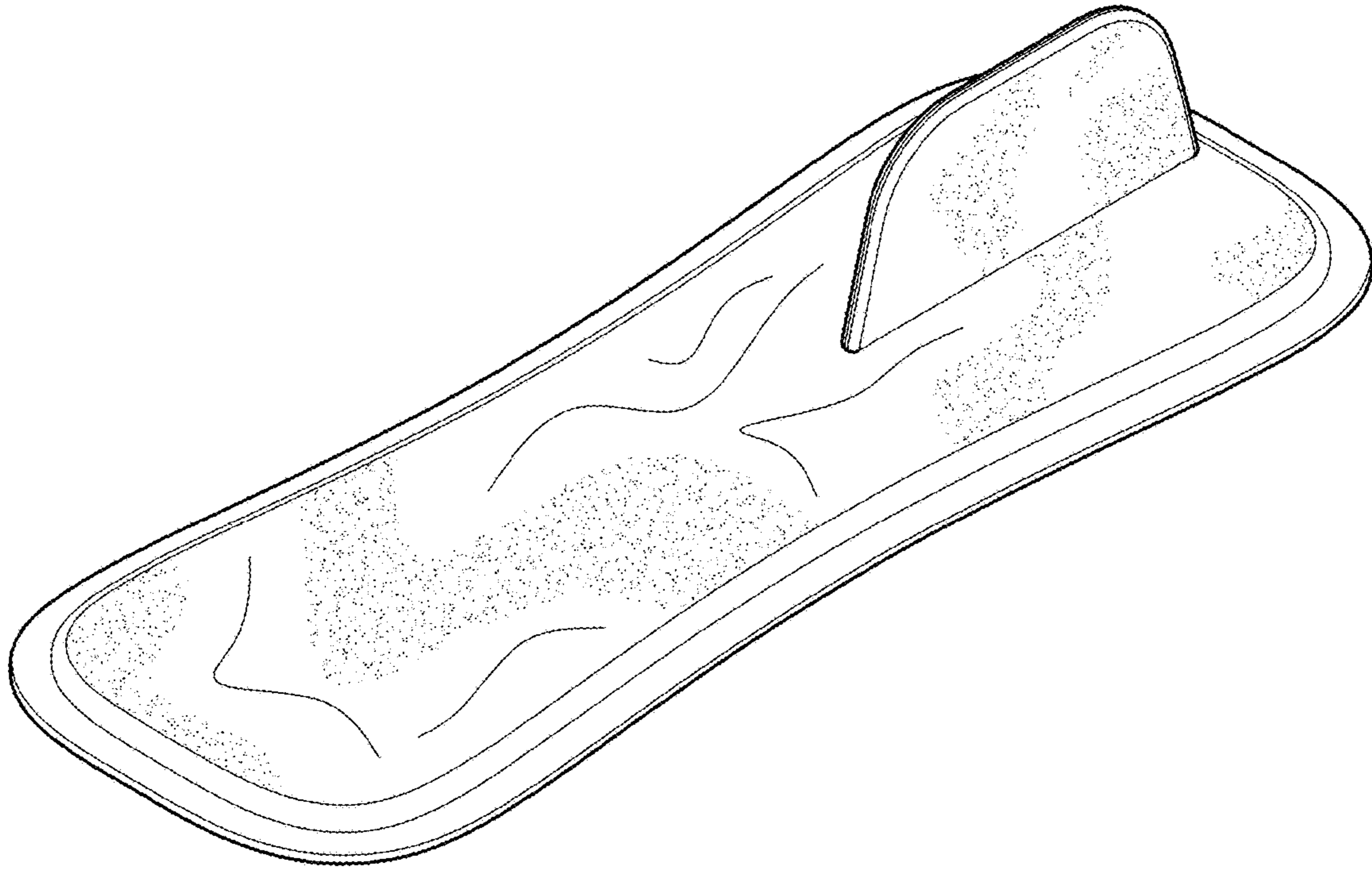


FIG. 1

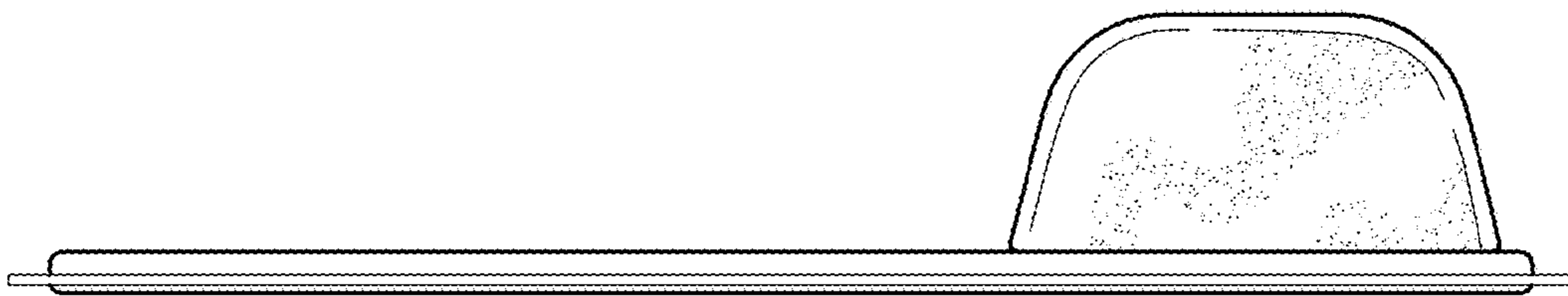


FIG. 2

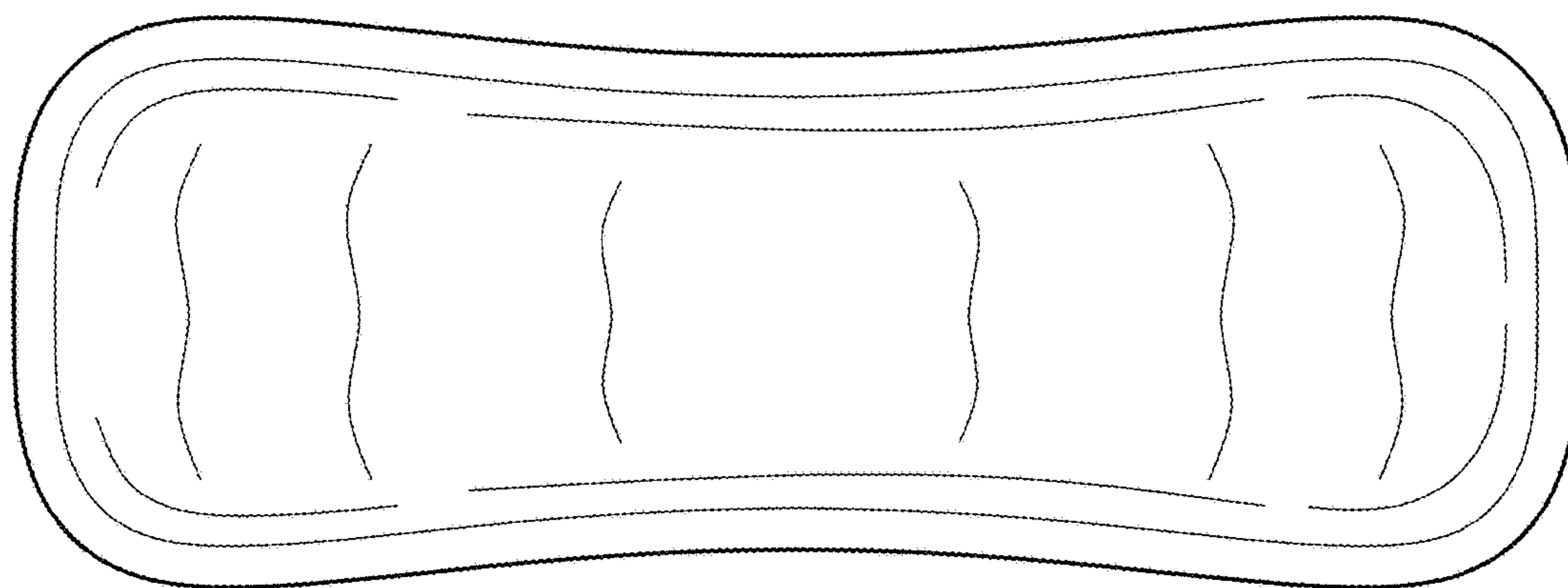


FIG. 3

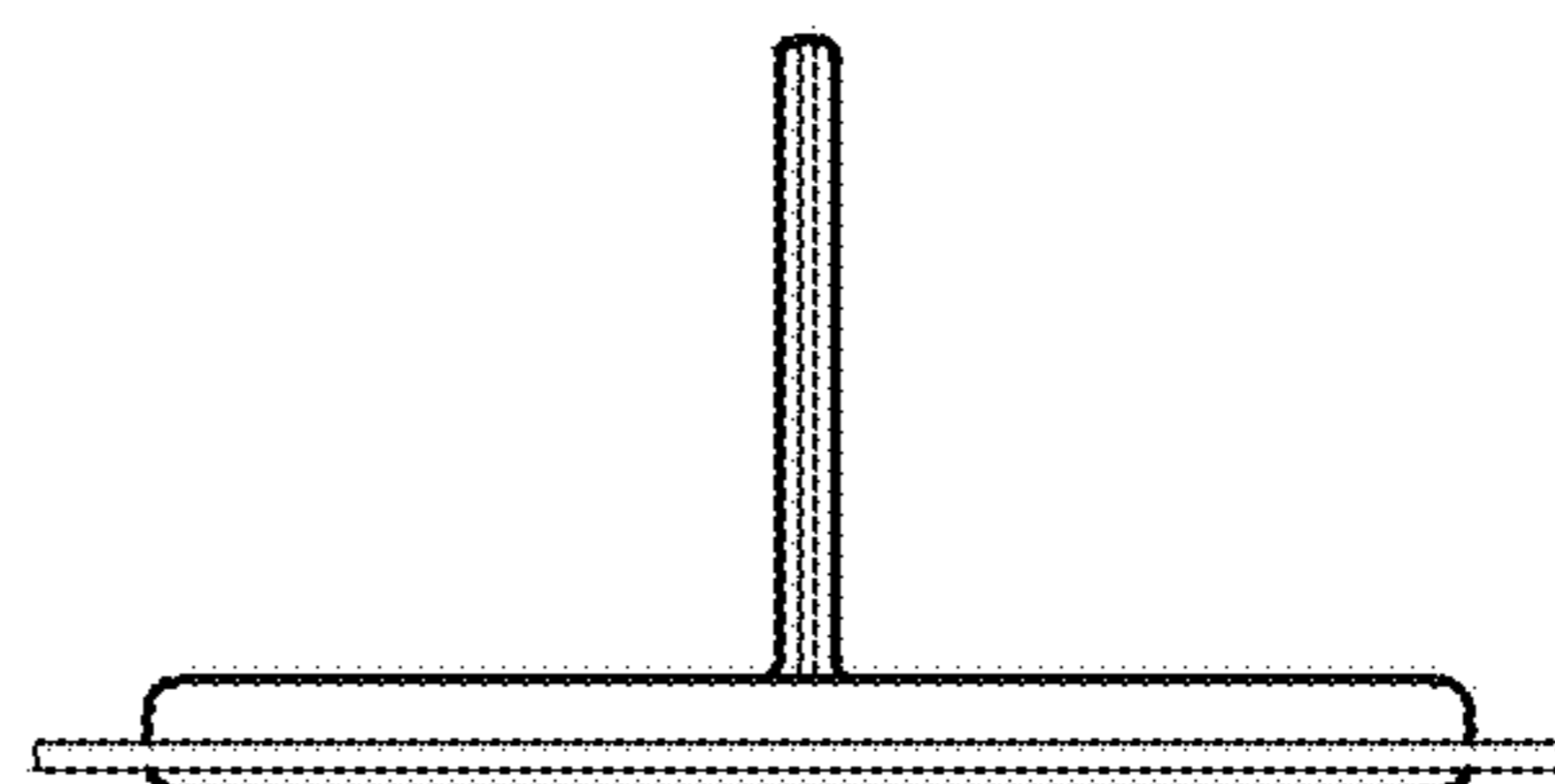


FIG. 4