



US00D812741S

(12) **United States Design Patent**
Damgård

(10) **Patent No.:** **US D812,741 S**
(45) **Date of Patent:** **** Mar. 13, 2018**

(54) **BLOOD TRANSFUSION AND SAMPLING APPARATUS**

(71) Applicant: **Mequ A/S**, Glostrup (DK)
(72) Inventor: **Marie Lyhne Damgård**, Copenhagen V (DK)
(73) Assignee: **Mequ A/S**, Glostrup (DK)
(**) Term: **15 Years**
(21) Appl. No.: **29/554,796**
(22) Filed: **Feb. 16, 2016**

(30) **Foreign Application Priority Data**

Aug. 14, 2015 (EM) 002755249

(51) **LOC (11) Cl.** **24-02**

(52) **U.S. Cl.**
USPC **D24/121**

(58) **Field of Classification Search**
USPC D24/121, 123, 224; 604/317-325
CPC ... A61M 1/02; B65D 41/04; B65D 2251/023;
B65D 41/0485; B65D 41/3428
See application file for complete search history.

(56) **References Cited**

U.S. PATENT DOCUMENTS

5,074,839 A * 12/1991 Choksi A61M 1/0011
604/132
D430,939 S * 9/2000 Zukor D24/121
D472,975 S * 4/2003 Iori D24/216
6,554,791 B1 * 4/2003 Cartledge A61M 1/02
604/131
7,001,513 B2 * 2/2006 Bell A61M 1/02
210/143
7,351,344 B2 * 4/2008 Verri A61M 1/02
210/120

7,351,444 B2 4/2008 Wang
D577,443 S * 9/2008 Parmer D24/224
D668,773 S * 10/2012 Shanler D24/224
D668,774 S * 10/2012 Shanler D24/224
D673,292 S * 12/2012 Clark D24/224
8,685,258 B2 * 4/2014 Nguyen A61K 35/16
210/782
8,858,517 B2 * 10/2014 Pan A61M 1/0088
604/317
D722,952 S 2/2015 Hu et al.
9,011,408 B2 * 4/2015 Gray B65B 1/04
53/266.1
D759,585 S 6/2016 Herbst et al.
D763,187 S 8/2016 Ryan
D767,485 S 9/2016 To

* cited by examiner

Primary Examiner — David G Muller
(74) *Attorney, Agent, or Firm* — Peter A. Nieves;
Sheehan Phinney Bass & Green PA

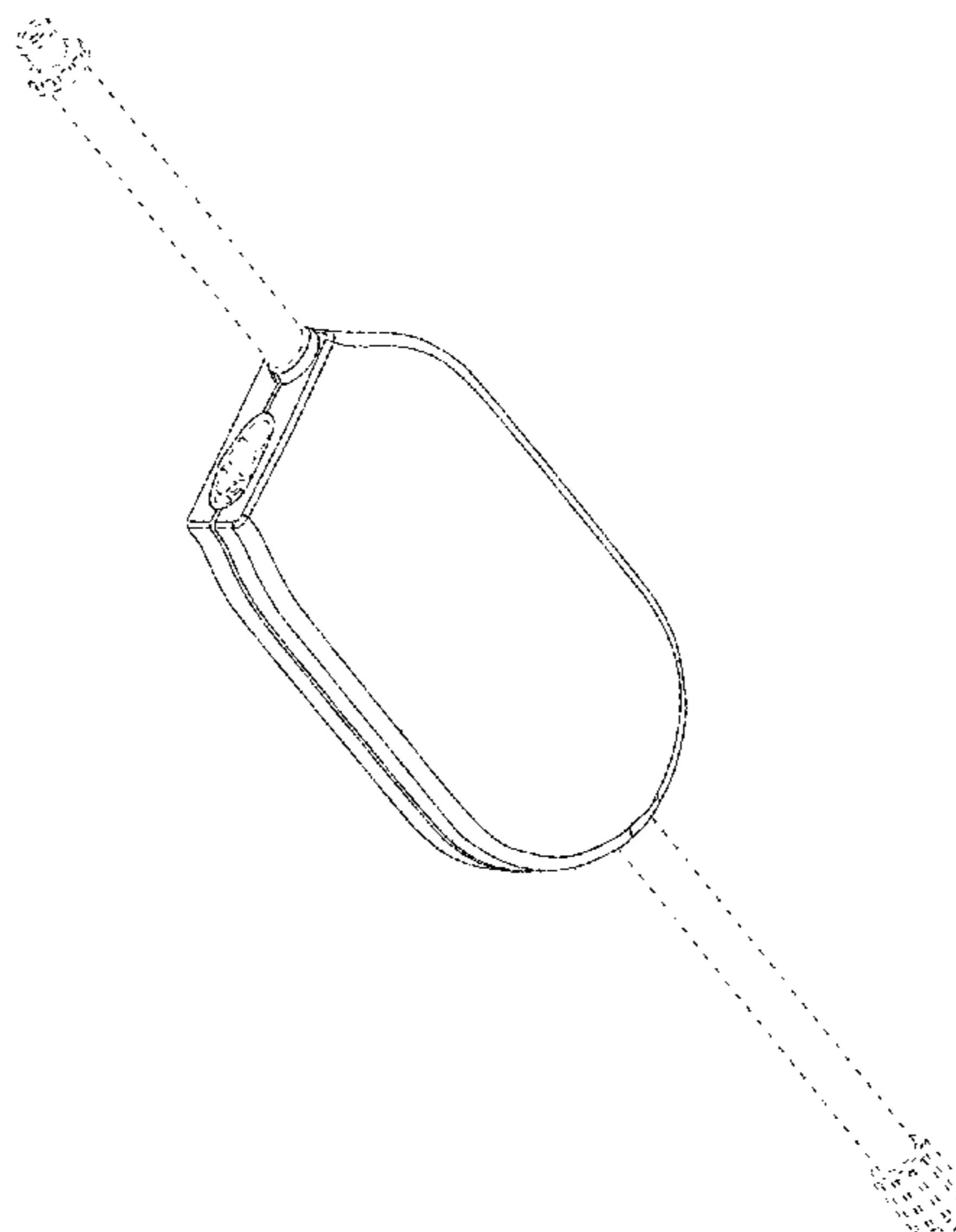
(57) **CLAIM**

I claim the ornamental design for a blood transfusion and sampling apparatus, as shown and described.

DESCRIPTION

FIG. 1 is a front elevation view of the blood transfusion and sampling apparatus;
FIG. 2 is a top plan view thereof;
FIG. 3 is a left side elevation view thereof;
FIG. 4 is a rear elevation view thereof;
FIG. 5 is a right side elevation view thereof;
FIG. 6 is a bottom plan view thereof; and,
FIG. 7 is a perspective view thereof.
The broken lines in FIGS. 1-7 are included for the purpose of showing environmental structure that forms no part of the design.

1 Claim, 4 Drawing Sheets



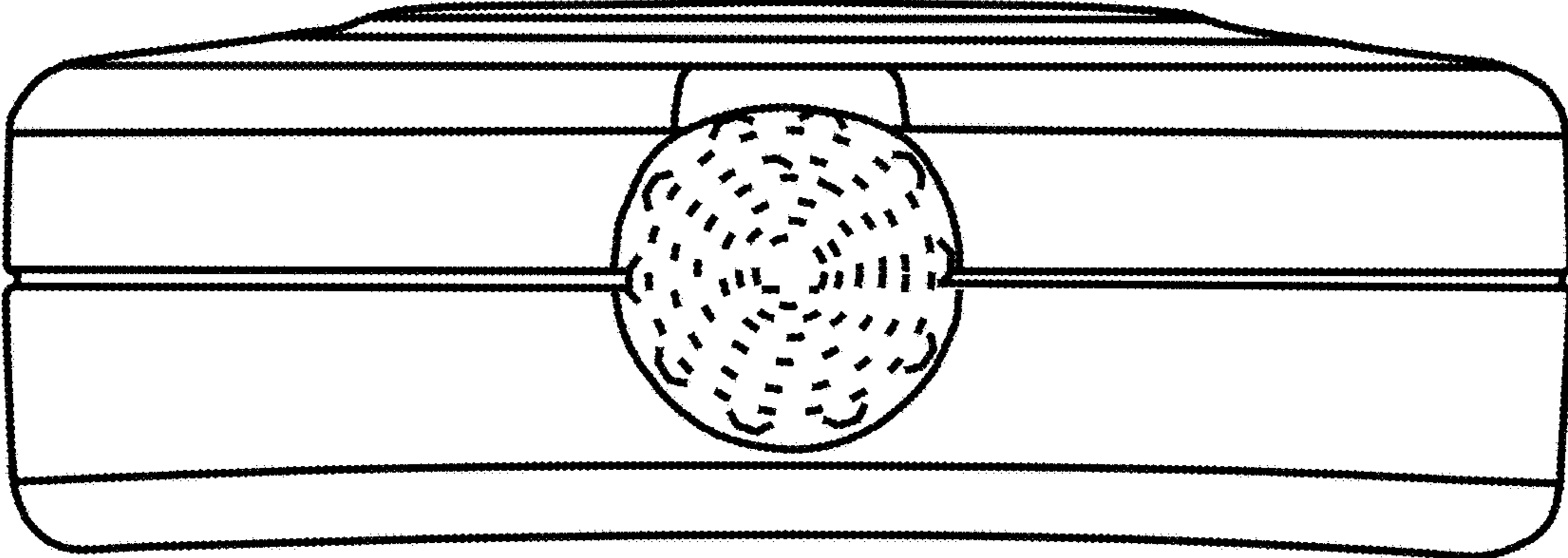


FIG. 1

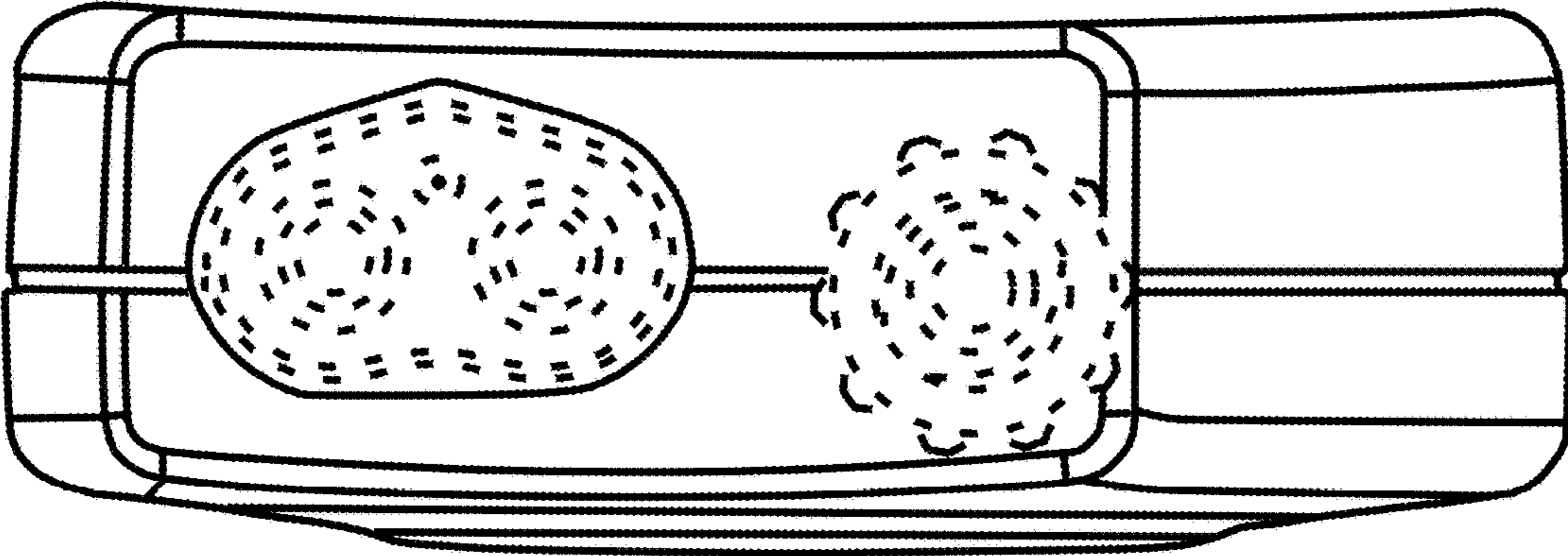


FIG. 4

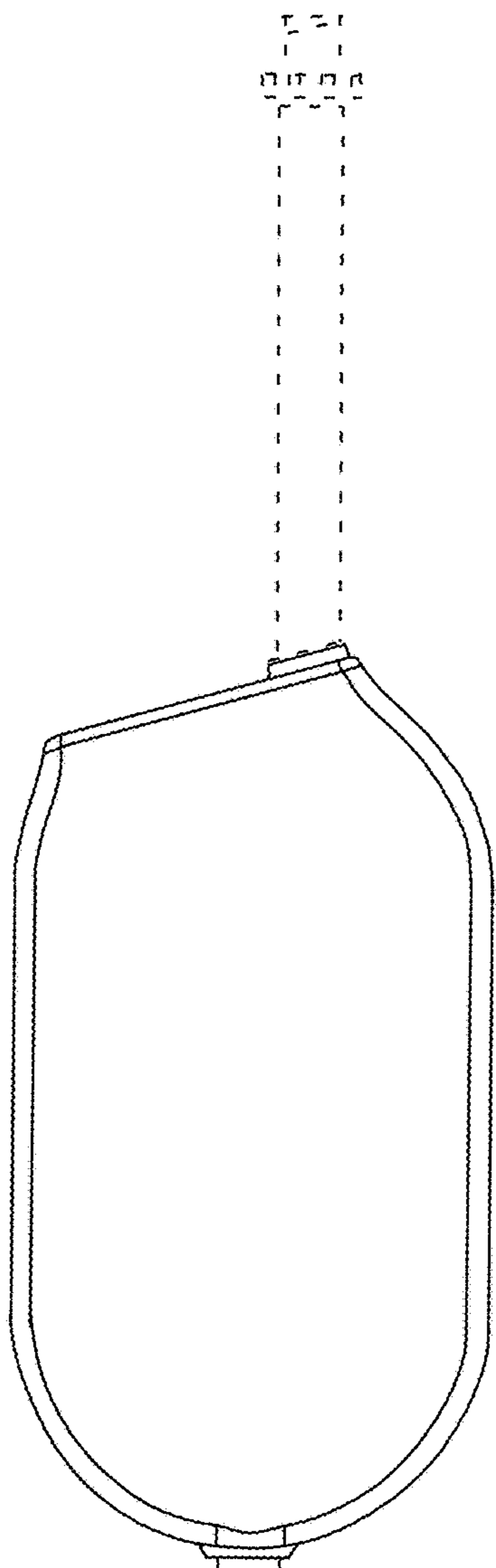


FIG. 2

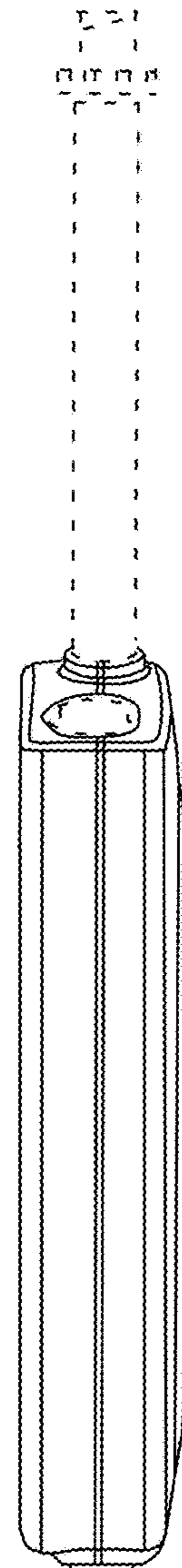


FIG. 3

FIG. 2

FIG. 3

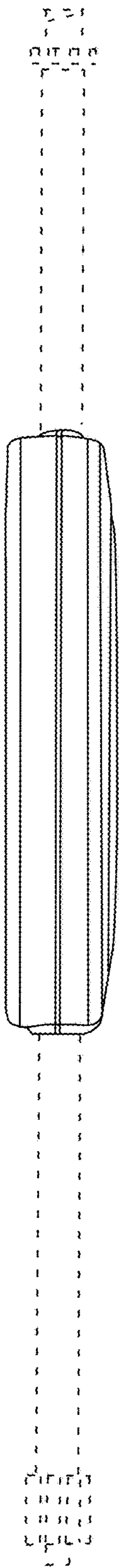


FIG. 5

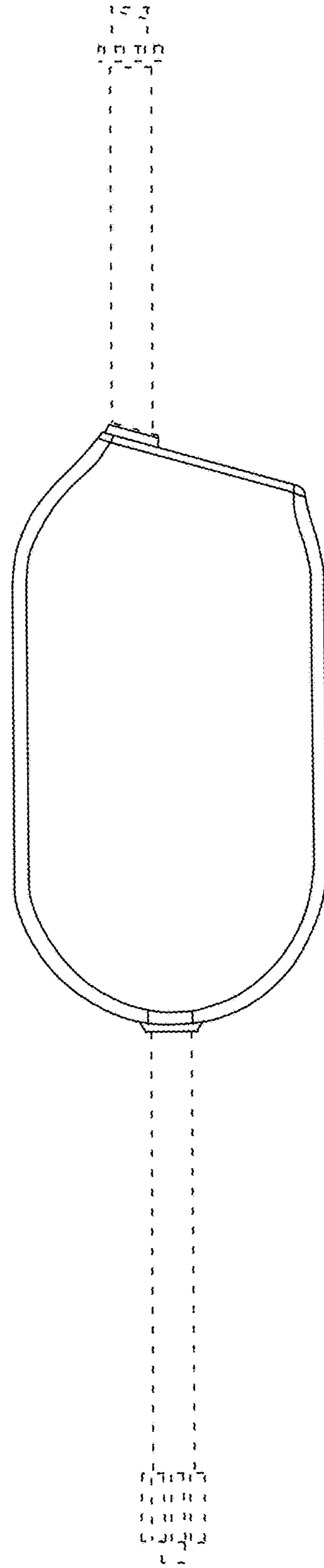


FIG. 6

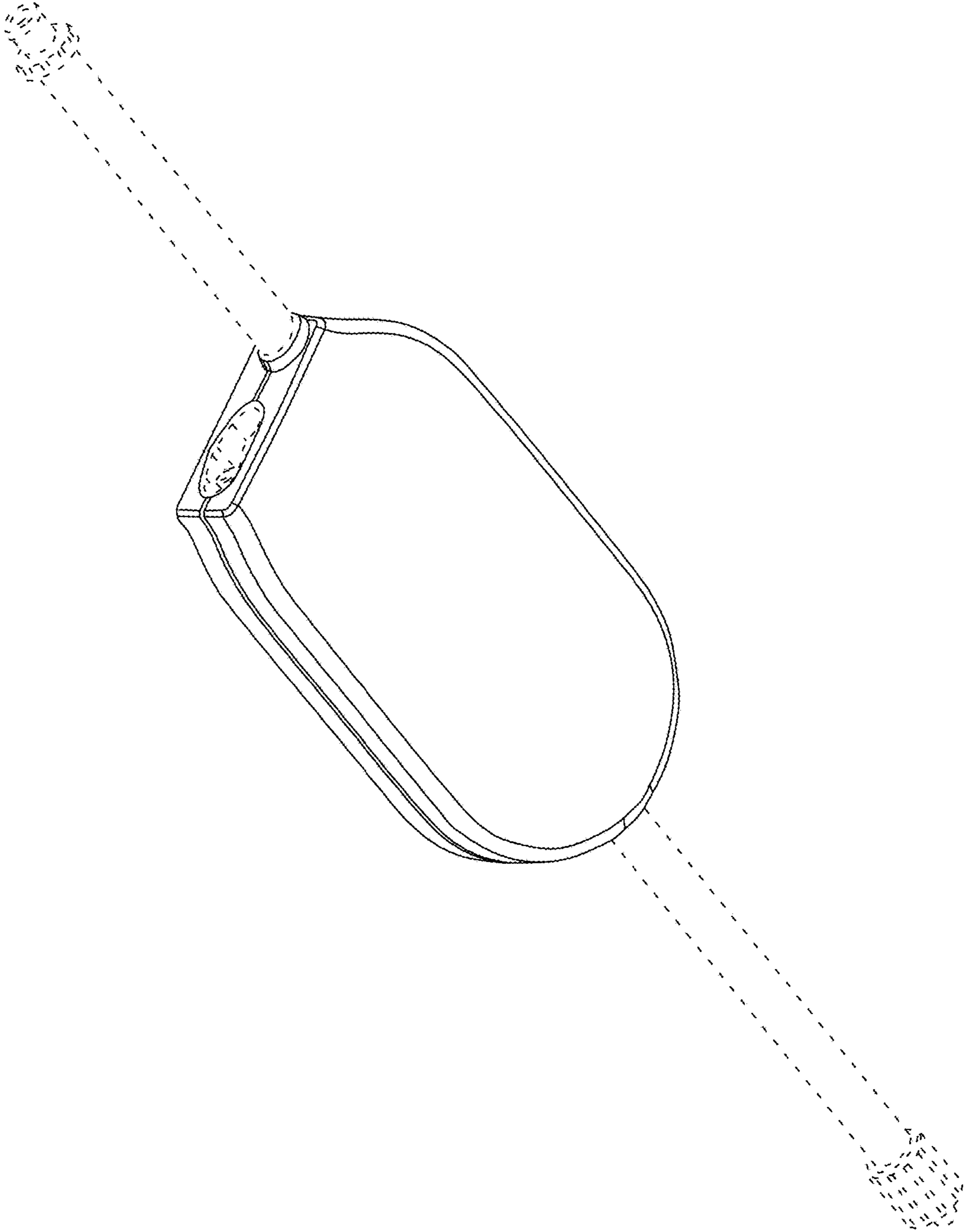


FIG. 7