



US00D812739S

(12) **United States Design Patent**
Wolford

(10) **Patent No.:** **US D812,739 S**

(45) **Date of Patent:** **** Mar. 13, 2018**

- (54) **WEARABLE INJECTOR DEVICE**
- (71) Applicant: **ABBVIE INC.**, North Chicago, IL (US)
- (72) Inventor: **James Blaine Wolford**, Chicago, IL (US)
- (73) Assignee: **ABBVIE INC.**, North Chicago, IL (US)
- (**) Term: **15 Years**
- (21) Appl. No.: **29/595,136**
- (22) Filed: **Feb. 24, 2017**
- (51) **LOC (11) Cl.** **24-02**
- (52) **U.S. Cl.**
USPC **D24/111; D24/113**
- (58) **Field of Classification Search**
USPC D24/107–108, 111–113, 169; D10/104.1, D10/104.2, 106.1, 118.2; D13/158, 168, D13/171; D14/218, 240, 402–410
CPC A61M 5/20; A61M 5/30; A61M 5/142; A61M 5/14248; A61M 5/14244; A61M 2005/14252
See application file for complete search history.

- D760,374 S * 6/2016 Nagar D24/108
- D768,288 S * 10/2016 O'Connor D24/111
- 2008/0234627 A1* 9/2008 Dent A61M 5/14248
604/20
- 2009/0093792 A1* 4/2009 Gross A61M 5/14248
604/518
- 2010/0168683 A1* 7/2010 Cabiri A61M 5/14248
604/263
- 2011/0066131 A1* 3/2011 Cabiri A61M 5/14248
604/411
- 2012/0109066 A1* 5/2012 Chase A61M 5/14248
604/173
- 2015/0250942 A1* 9/2015 Momose A61M 5/14228
604/152
- 2015/0306307 A1* 10/2015 Cole A61M 5/14248
604/508
- 2016/0303316 A1* 10/2016 Momose A61M 5/158
(Continued)

Primary Examiner — Barbara Fox
Assistant Examiner — Lilyana Bekic
 (74) *Attorney, Agent, or Firm* — Baker Botts L.L.P.

(57) **CLAIM**

The ornamental design for a wearable injector device, as shown and described.

DESCRIPTION

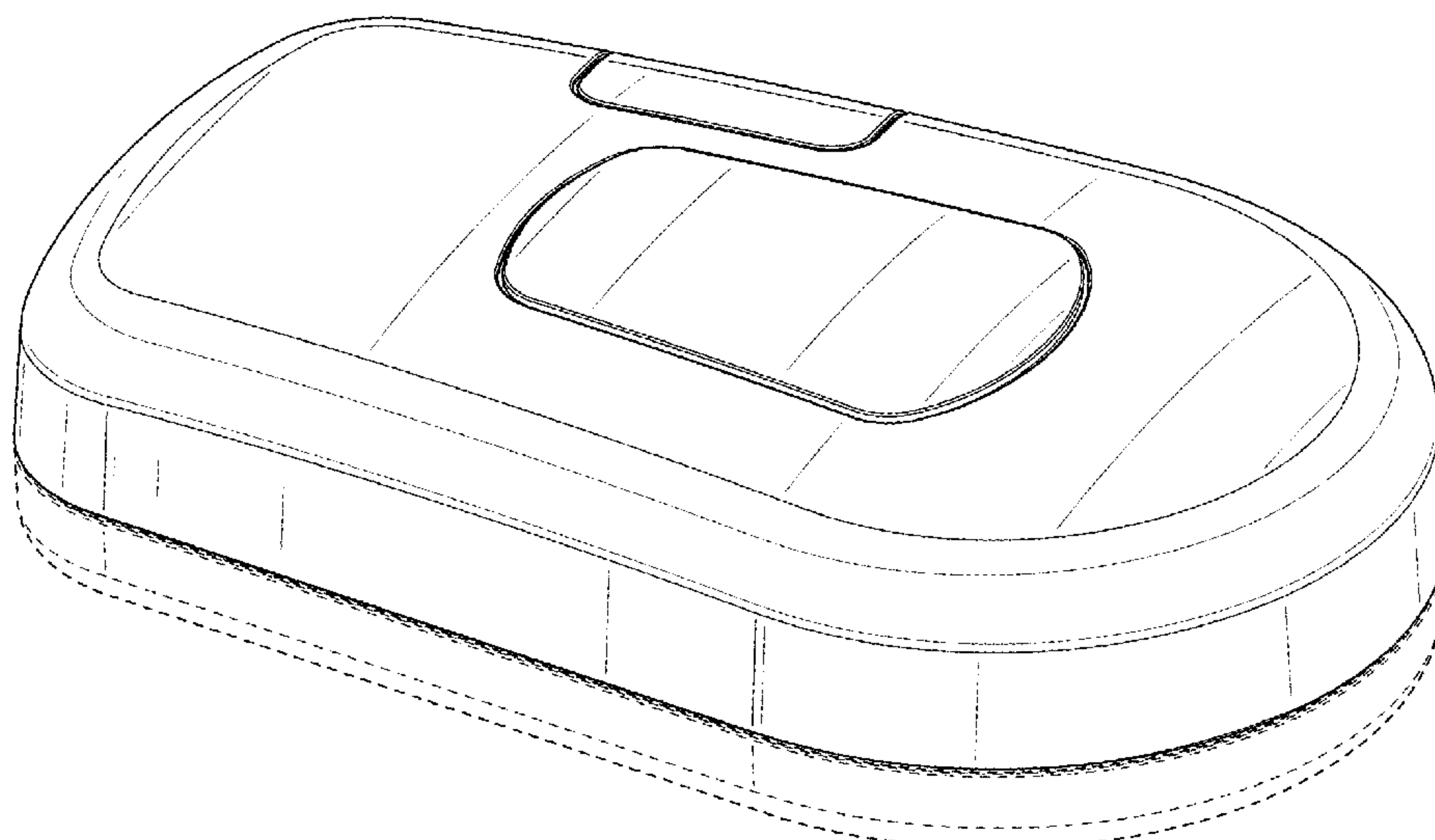
FIG. 1 is a top-right perspective view of an wearable injector device, showing the new design;
 FIG. 2 is a top-left perspective view thereof;
 FIG. 3 is a front view thereof;
 FIG. 4 is a rear view thereof;
 FIG. 5 is a right side view thereof;
 FIG. 6 is a left side view thereof;
 FIG. 7 is a top view thereof; and,
 FIG. 8 is a bottom view thereof.
 The broken lines shown throughout the figures depict portions of the wearable injector device that form no part of the claimed design.

1 Claim, 7 Drawing Sheets

(56) **References Cited**

U.S. PATENT DOCUMENTS

- D372,098 S * 7/1996 Lattin D24/189
- D384,745 S * 10/1997 Lattin D24/189
- D588,274 S * 3/2009 Dent D24/189
- D602,155 S * 10/2009 Foley D24/113
- D602,586 S * 10/2009 Foley D24/113
- D638,534 S * 5/2011 Moga D24/113
- D685,083 S * 6/2013 Schneider D24/108
- D687,141 S * 7/2013 Schneider D24/108
- D687,536 S * 8/2013 Guarraia D24/108
- D699,855 S * 2/2014 Netzel D24/188
- 8,668,675 B2* 3/2014 Chase A61M 5/14248
604/180
- 9,173,997 B2* 11/2015 Gross A61M 5/14566
- D745,142 S * 12/2015 O'Connor D24/111



(56)

References Cited

U.S. PATENT DOCUMENTS

2016/0303333 A1* 10/2016 Momose A61M 5/3298
2016/0317738 A1* 11/2016 Cross A61M 5/1454
2017/0021137 A1* 1/2017 Cole A61M 25/0606
2017/0043101 A1* 2/2017 Cole A61M 25/0631
2017/0106138 A1* 4/2017 Cabiri A61M 5/1456

* cited by examiner

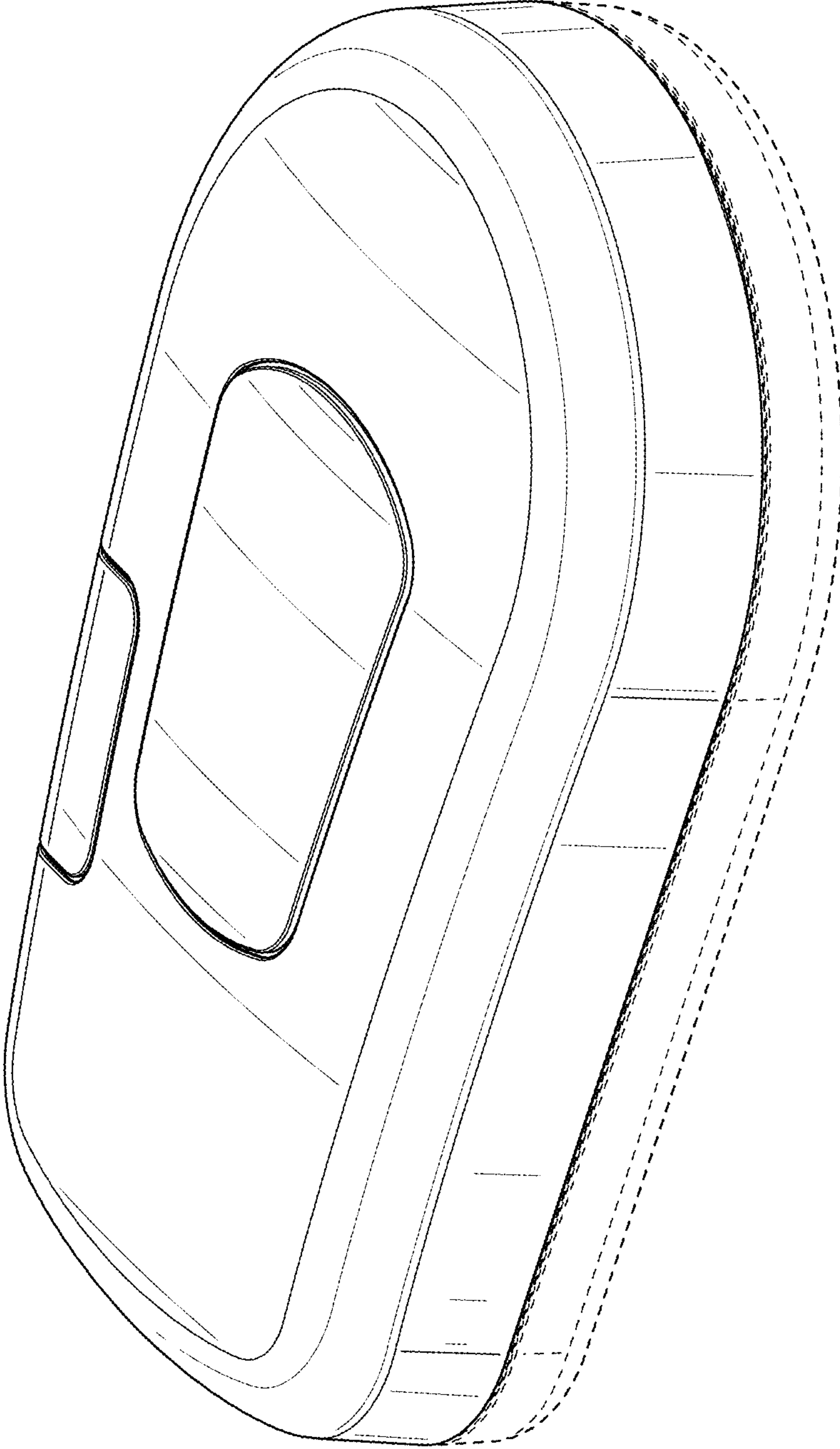


FIG. 1

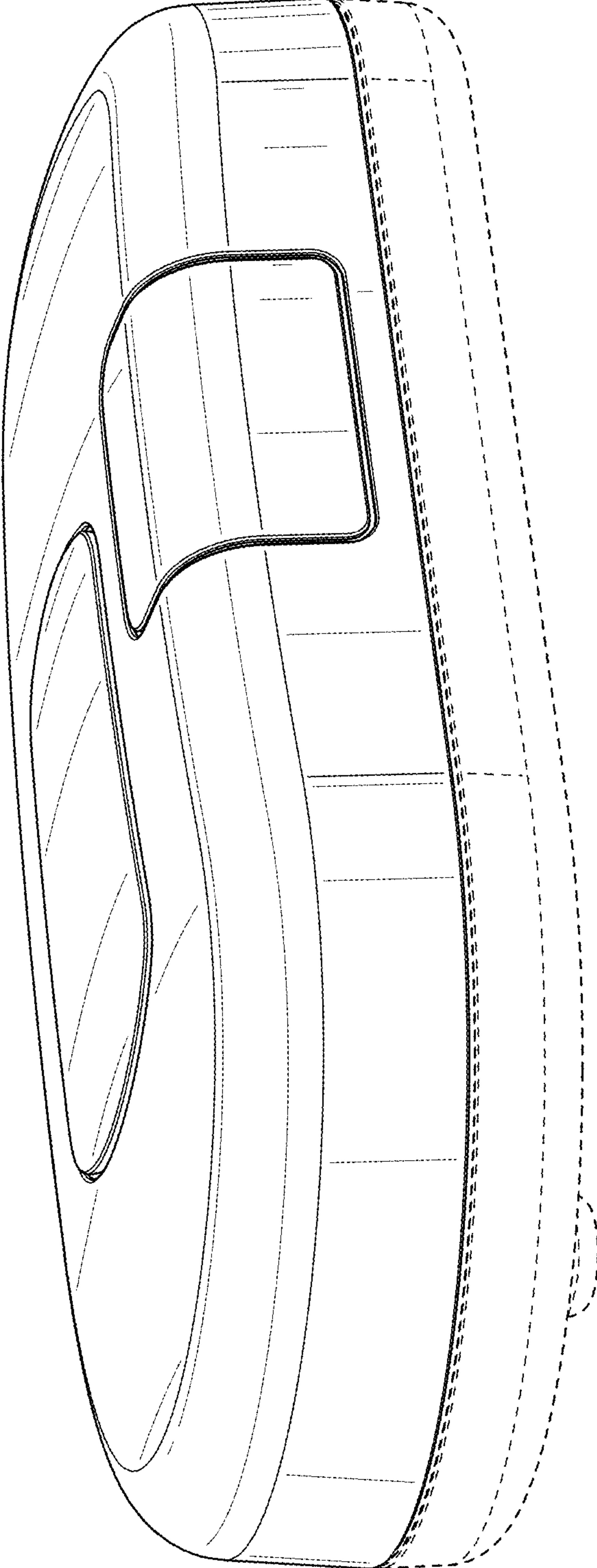


FIG. 2

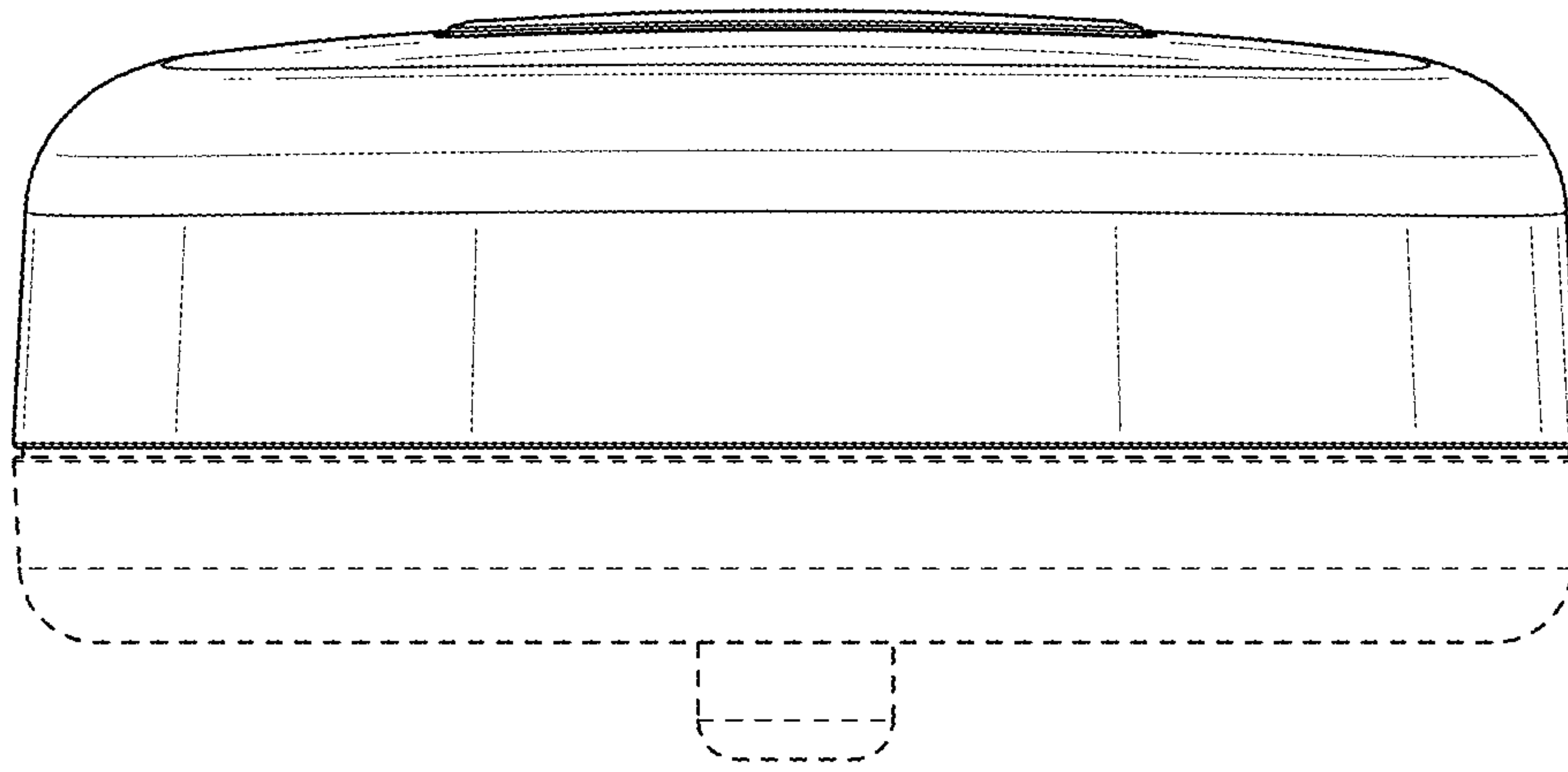


FIG. 3

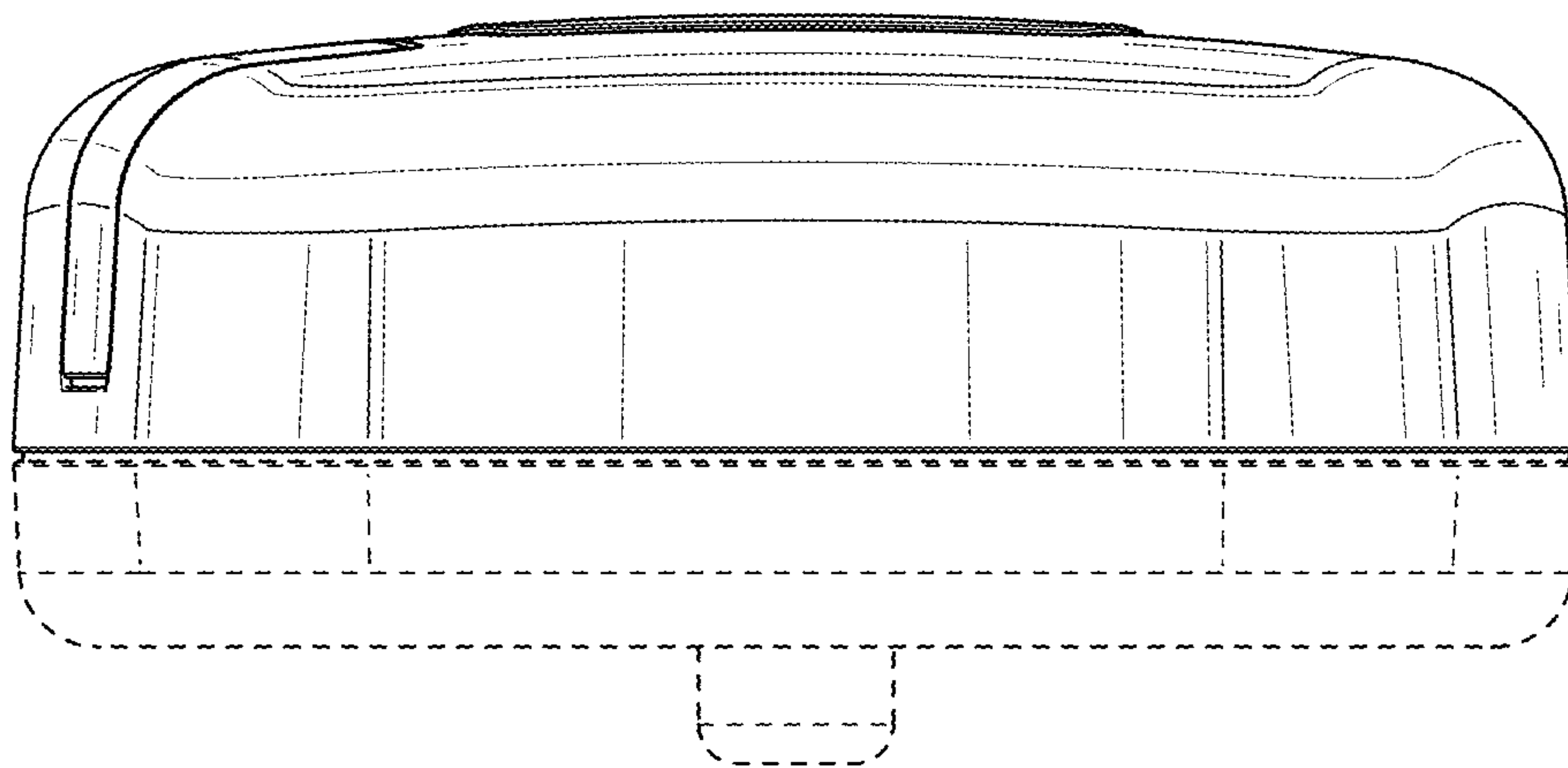


FIG. 4

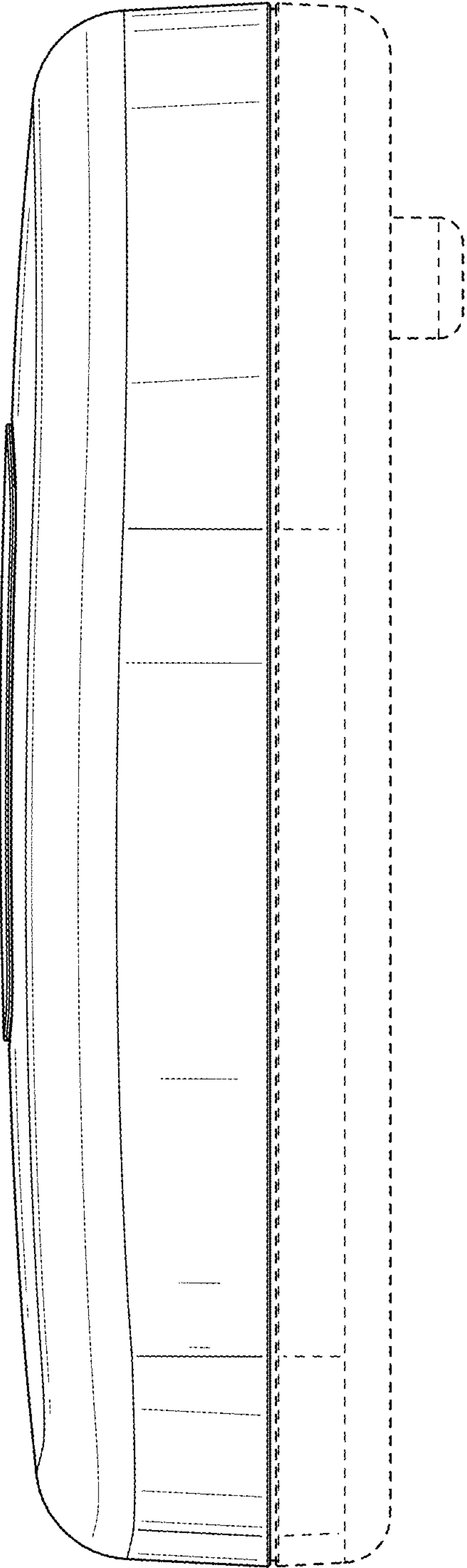


FIG. 5

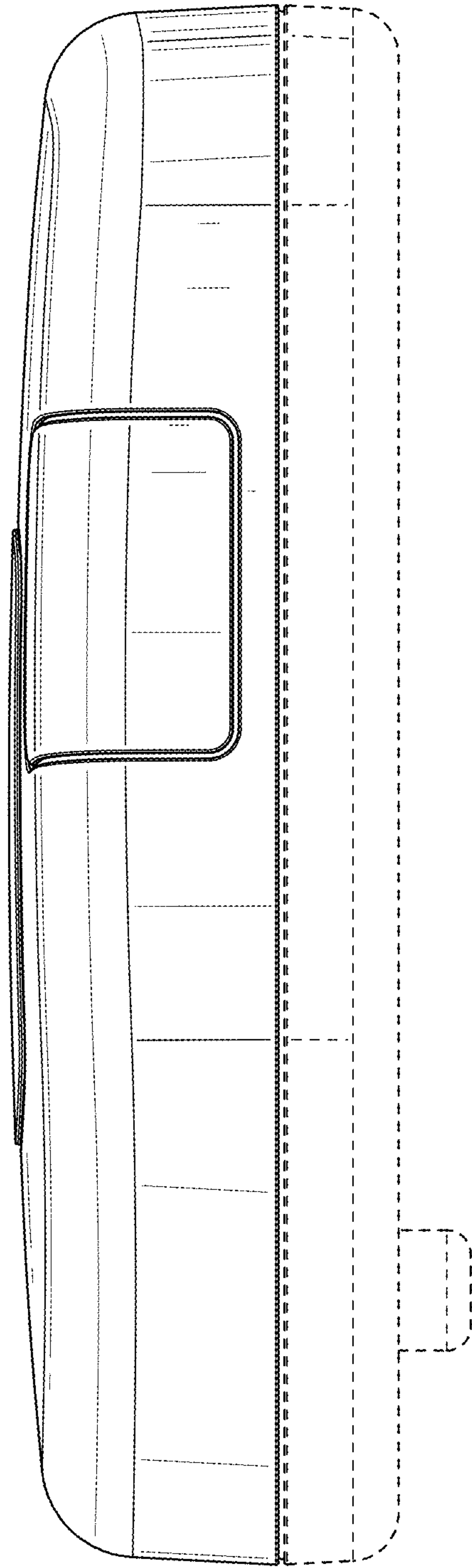


FIG. 6

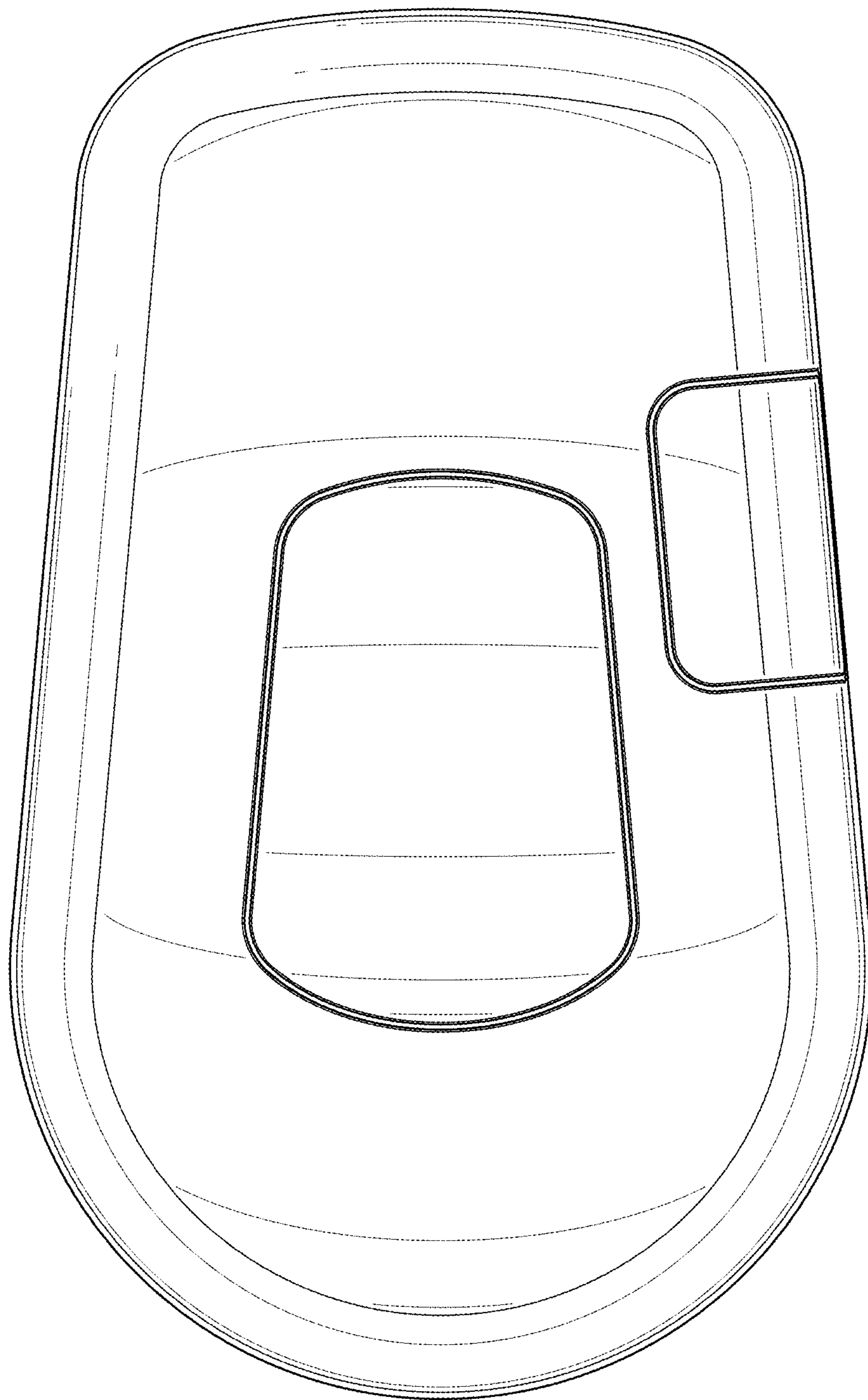


FIG. 7

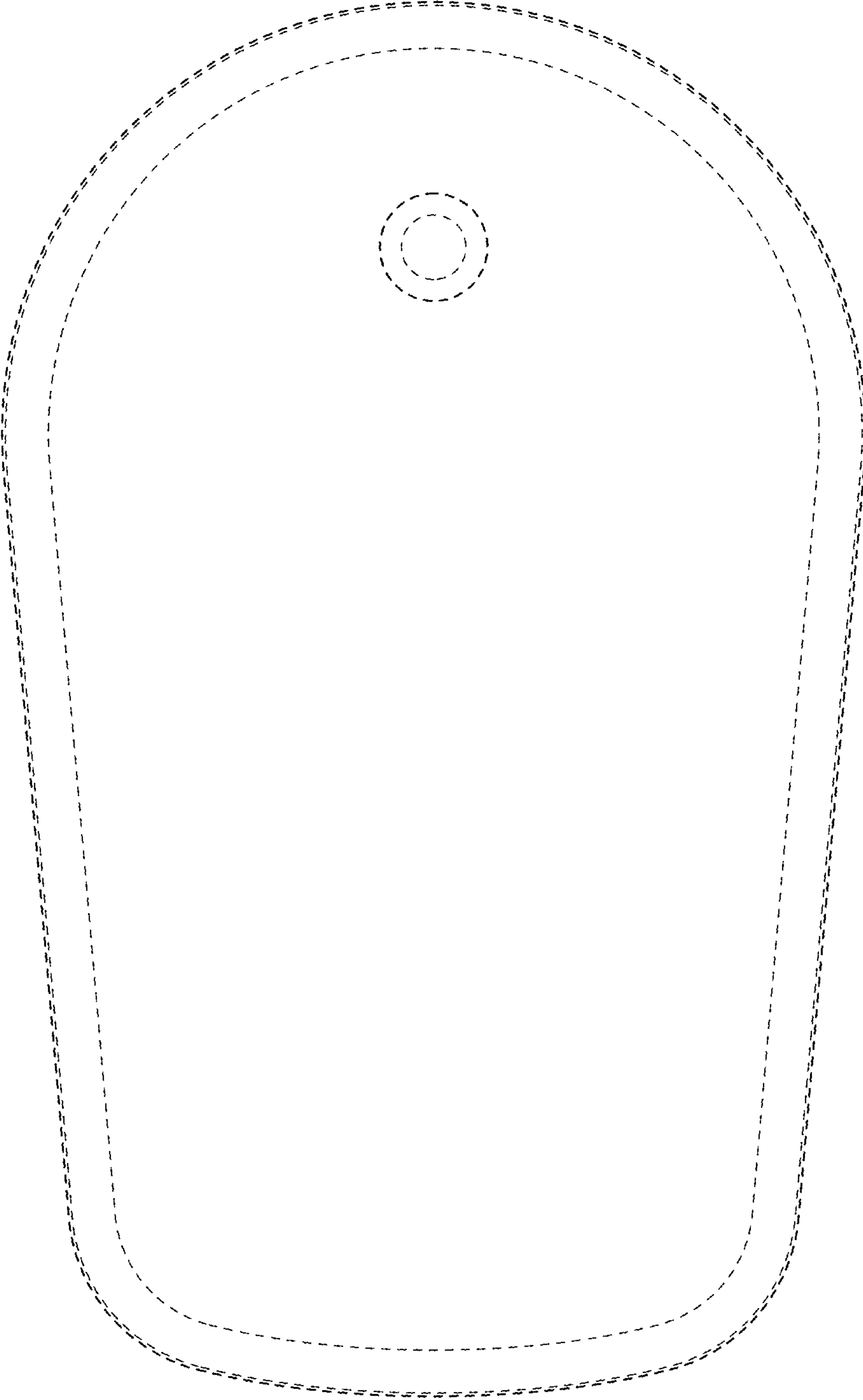


FIG. 8