



US00D812738S

(12) **United States Design Patent**
Wolford

(10) **Patent No.:** **US D812,738 S**

(45) **Date of Patent:** **** Mar. 13, 2018**

- (54) **WEARABLE INJECTOR DEVICE**
- (71) Applicant: **ABBVIE INC.**, North Chicago, IL (US)
- (72) Inventor: **James Blaine Wolford**, Chicago, IL (US)
- (73) Assignee: **ABBVIE INC.**, North Chicago, IL (US)
- (**) Term: **15 Years**
- (21) Appl. No.: **29/595,134**
- (22) Filed: **Feb. 24, 2017**
- (51) **LOC (11) Cl.** **24-02**
- (52) **U.S. Cl.**
USPC **D24/111; D24/113**
- (58) **Field of Classification Search**
USPC D24/107–108, 111–113, 169; D10/104.1, D10/104.2, 106.1, 118.2; D13/168, 158, D13/171; D14/218, 240, 402–410
CPC A61M 5/20; A61M 5/30; A61M 5/142; A61M 5/14248; A61M 5/14244; A61M 2005/14252
See application file for complete search history.

(56) **References Cited**

U.S. PATENT DOCUMENTS

D372,098	S	*	7/1996	Lattin	D24/189
D384,745	S	*	10/1997	Lattin	D24/189
D588,274	S	*	3/2009	Dent	D24/189
D602,155	S	*	10/2009	Foley	D24/113
D602,586	S	*	10/2009	Foley	D24/113
D638,534	S	*	5/2011	Moga	D24/113
D685,083	S	*	6/2013	Schneider	D24/108
D687,141	S	*	7/2013	Schneider	D24/108
D687,536	S	*	8/2013	Guarraia	D24/108
D699,855	S	*	2/2014	Netzel	D24/188
8,668,675	B2	*	3/2014	Chase	A61M 5/14248 604/180
9,173,997	B2	*	11/2015	Gross	A61M 5/14566

D745,142	S	*	12/2015	O'Connor	D24/111
D760,374	S	*	6/2016	Nagar	D24/108
D768,288	S	*	10/2016	O'Connor	D24/111
2008/0234627	A1	*	9/2008	Dent	A61M 5/14248 604/20
2009/0093792	A1	*	4/2009	Gross	A61M 5/14248 604/518
2010/0168683	A1	*	7/2010	Cabiri	A61M 5/14248 604/263
2011/0066131	A1	*	3/2011	Cabiri	A61M 5/14248 604/411
2012/0109066	A1	*	5/2012	Chase	A61M 5/14248 604/173
2015/0250942	A1	*	9/2015	Momose	A61M 5/14228 604/152
2015/0306307	A1	*	10/2015	Cole	A61M 5/14248 604/508
2016/0303316	A1	*	10/2016	Momose	A61M 5/158
2016/0303333	A1	*	10/2016	Momose	A61M 5/3298
2016/0317738	A1	*	11/2016	Cross	A61M 5/1454
2017/0021137	A1	*	1/2017	Cole	A61M 25/0606

(Continued)

Primary Examiner — Barbara Fox
Assistant Examiner — Lilyana Bekic
(74) *Attorney, Agent, or Firm* — Baker Botts L.L.P.

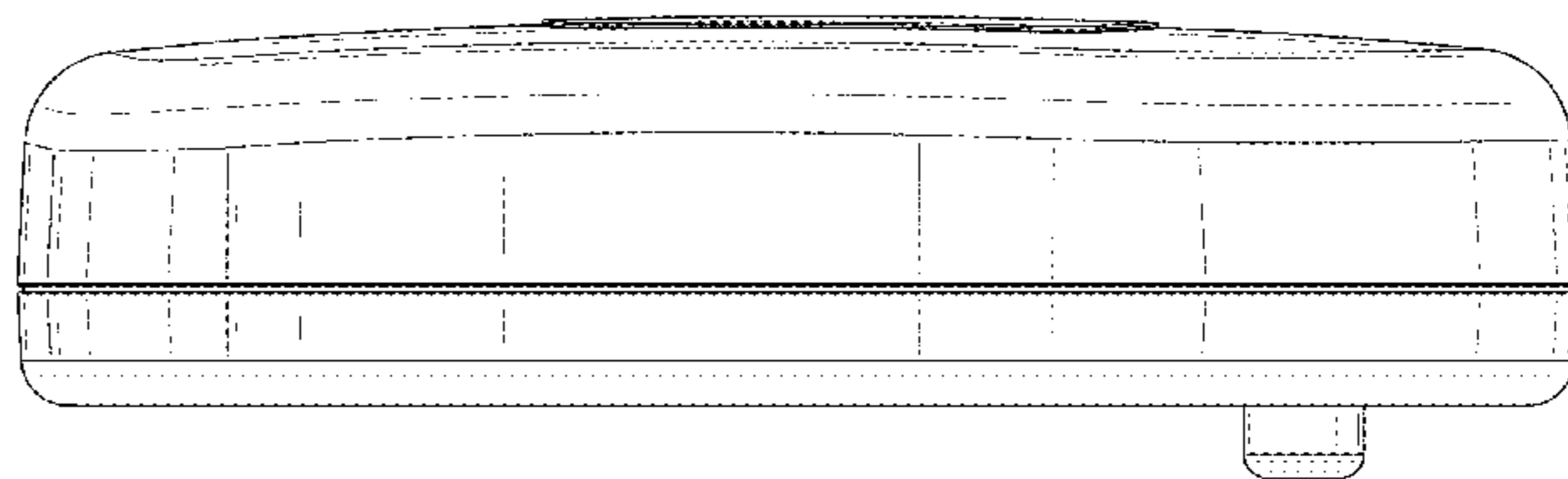
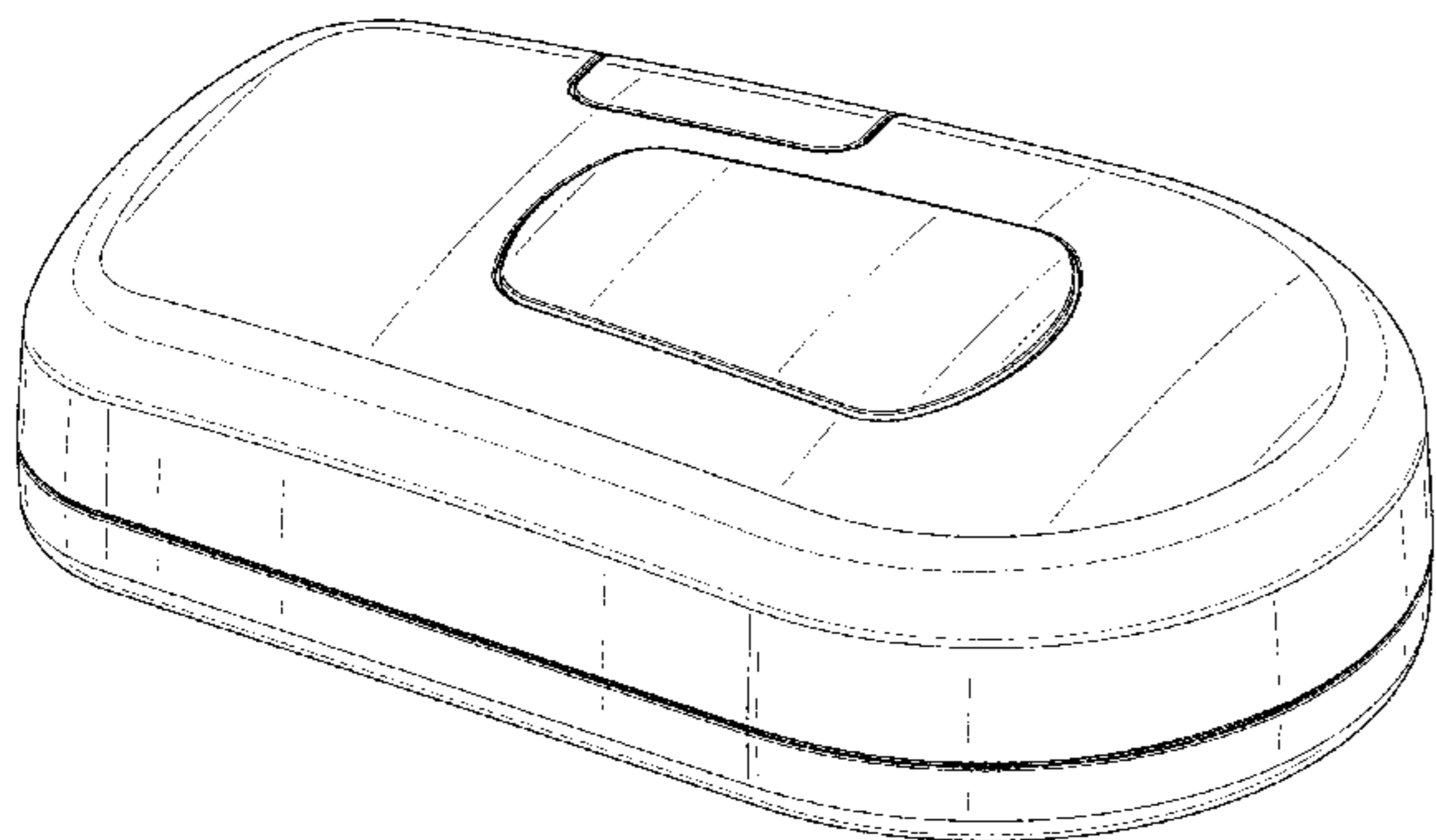
(57) **CLAIM**

The ornamental design for a wearable injector device, as shown and described.

DESCRIPTION

FIG. 1 is a top-right perspective view of an wearable injector device, showing the new design;
FIG. 2 is a top-left perspective view thereof;
FIG. 3 is a front view thereof;
FIG. 4 is a rear view thereof;
FIG. 5 is a right side view thereof;
FIG. 6 is a left side view thereof;
FIG. 7 is a top view thereof; and,
FIG. 8 is a bottom view thereof.

1 Claim, 7 Drawing Sheets



(56)

References Cited

U.S. PATENT DOCUMENTS

2017/0043101 A1* 2/2017 Cole A61M 25/0631
2017/0106138 A1* 4/2017 Cabiri A61M 5/1456

* cited by examiner

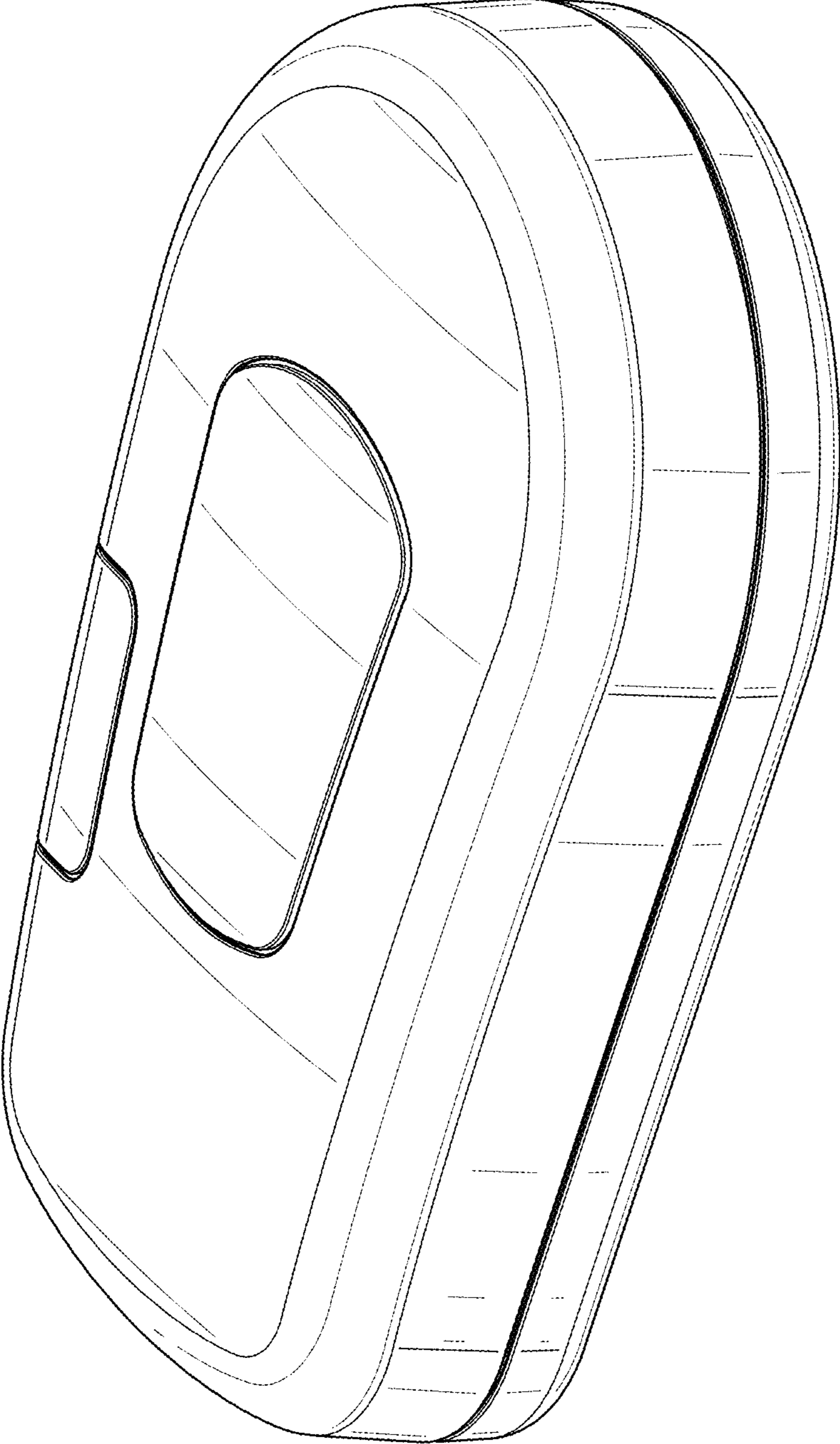


FIG. 1

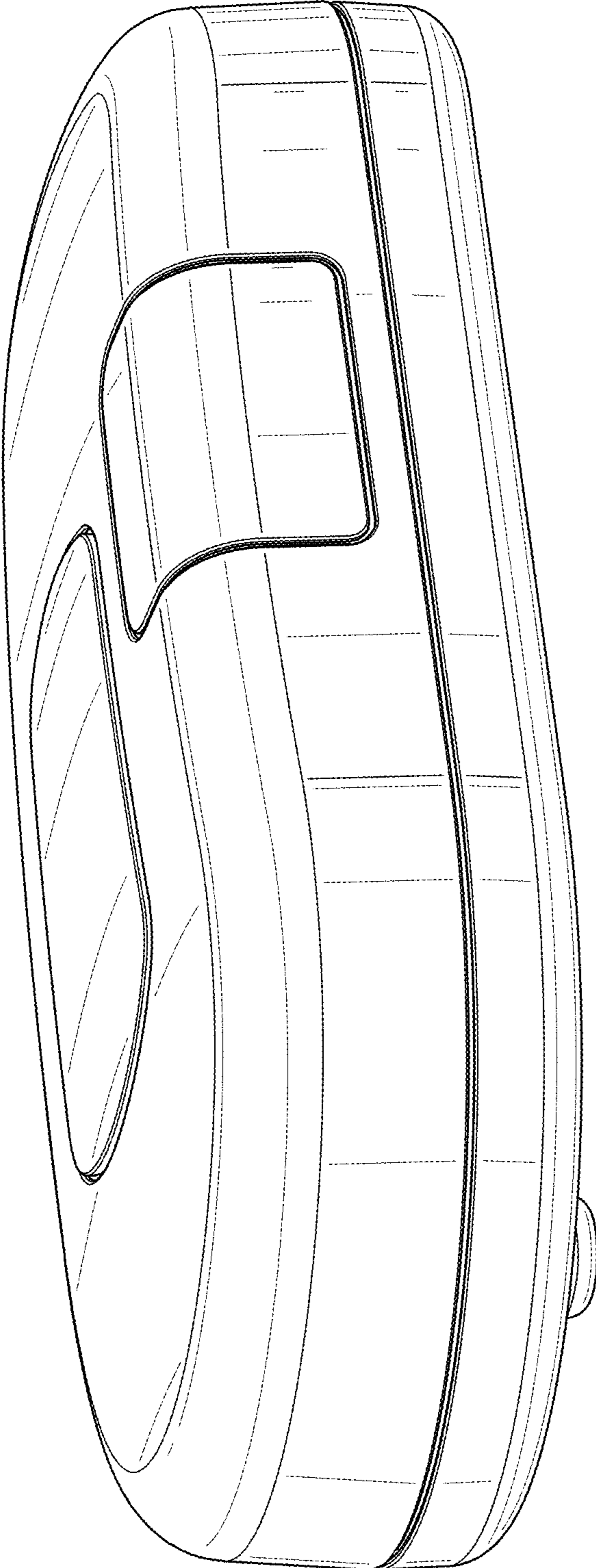


FIG. 2

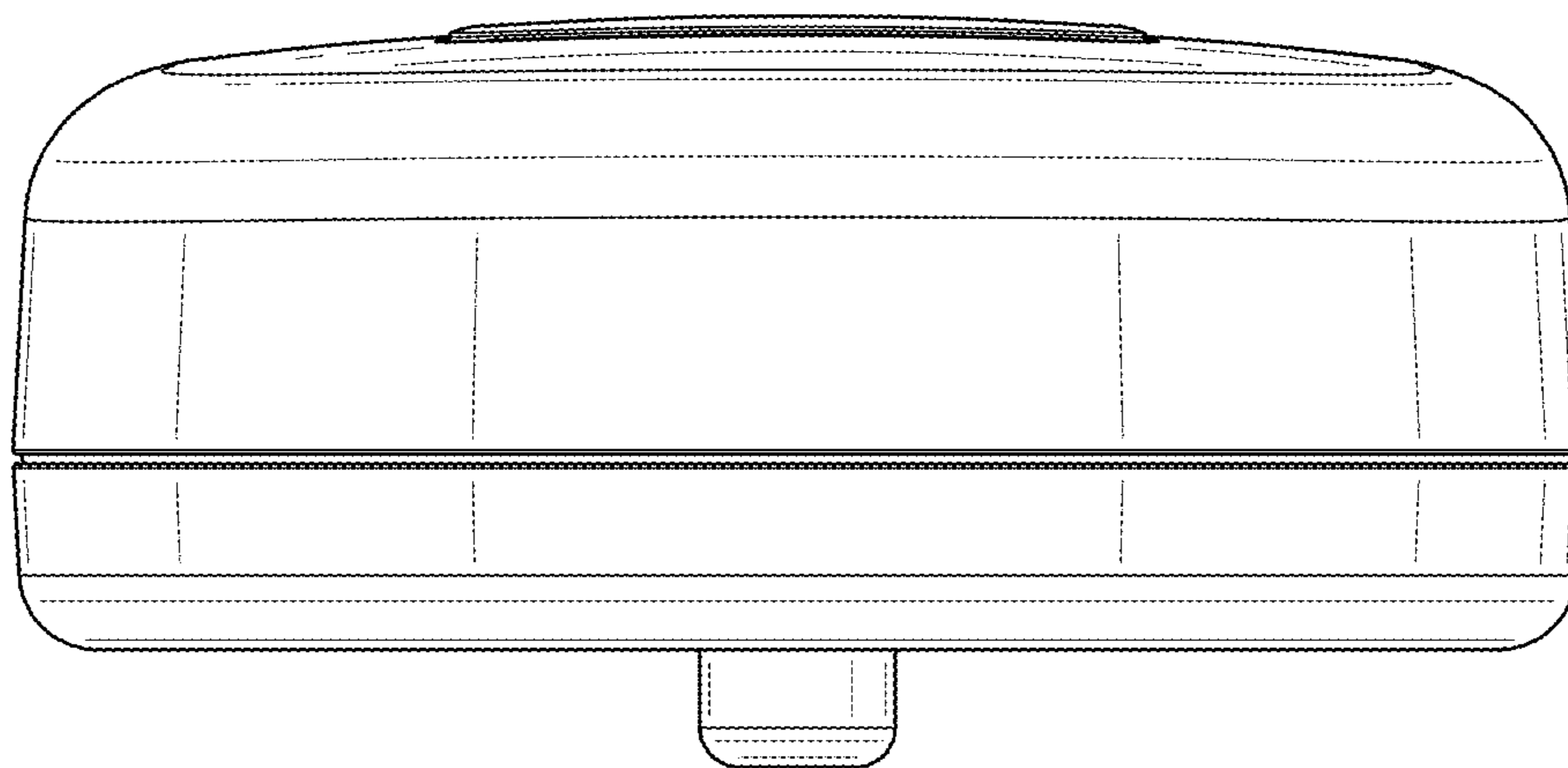


FIG. 3

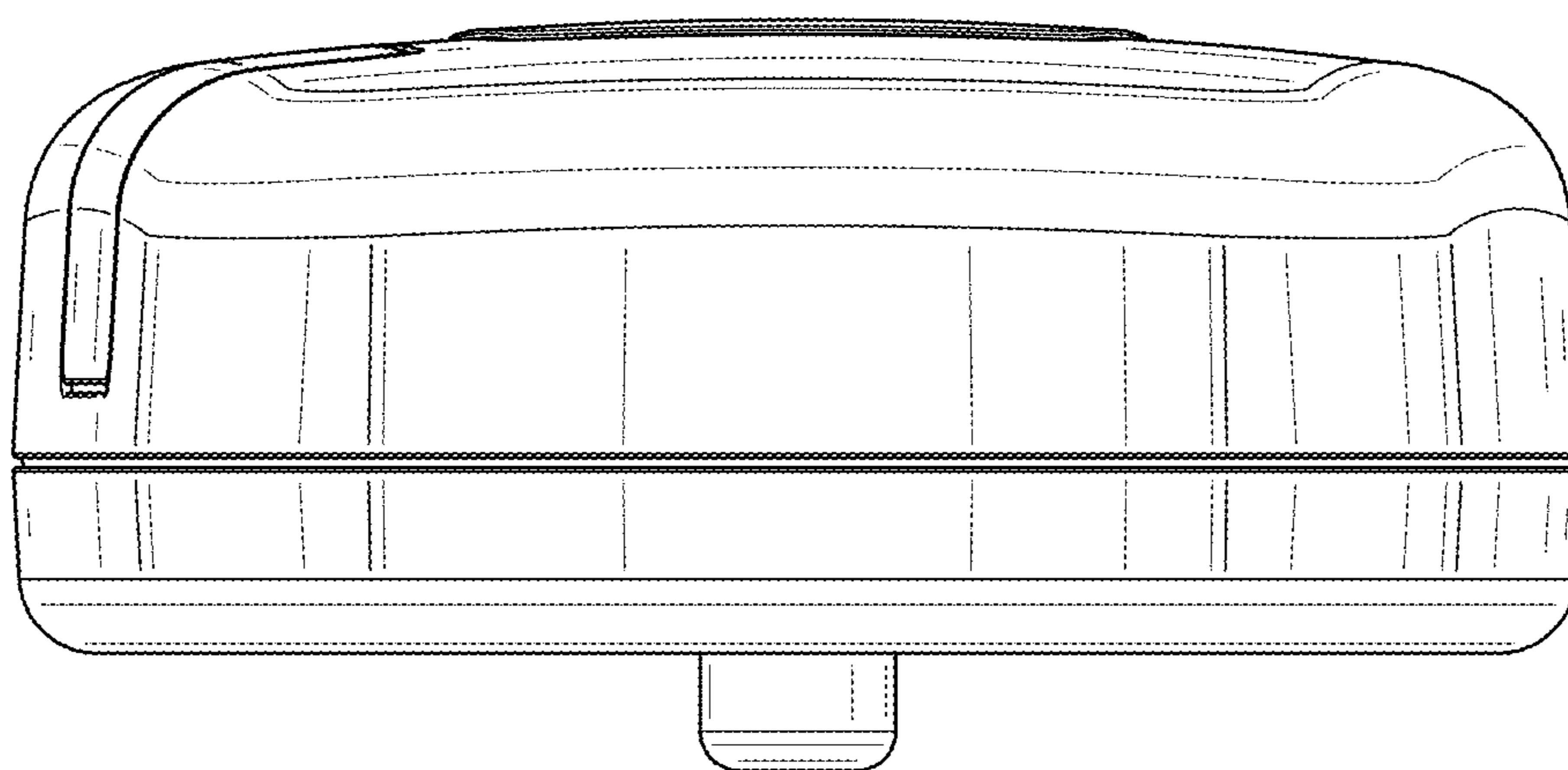


FIG. 4

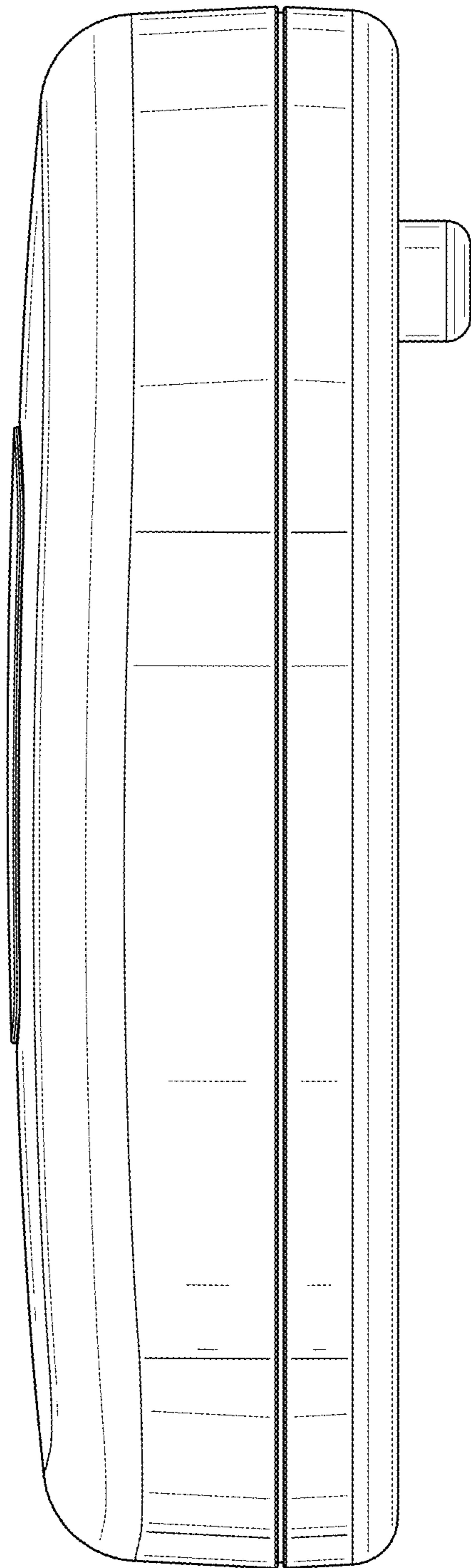


FIG. 5

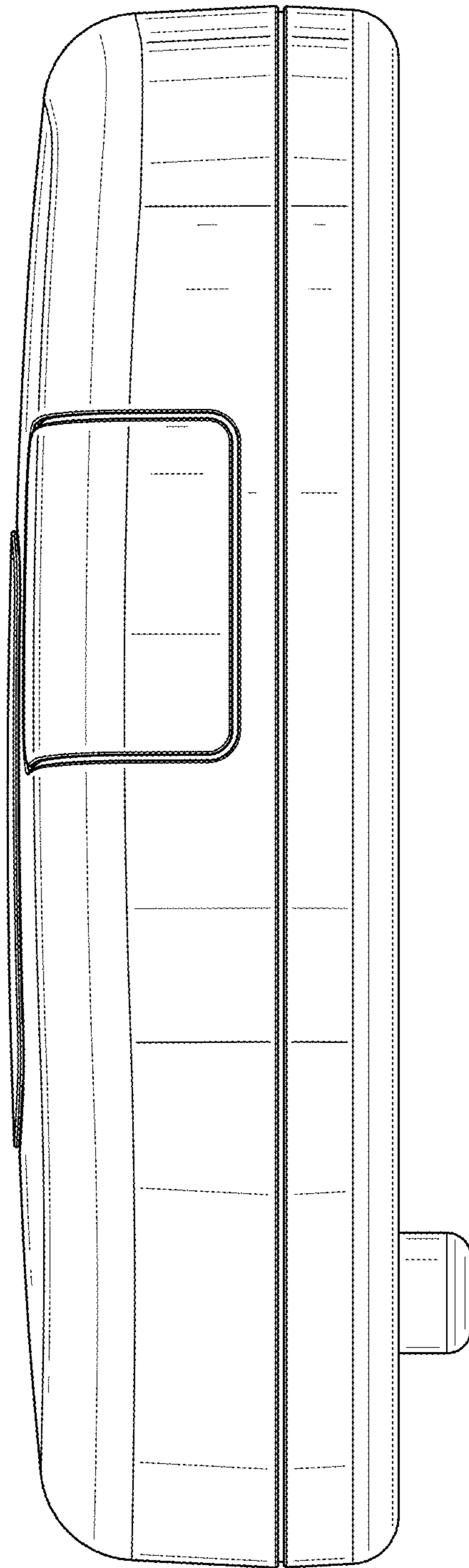


FIG. 6

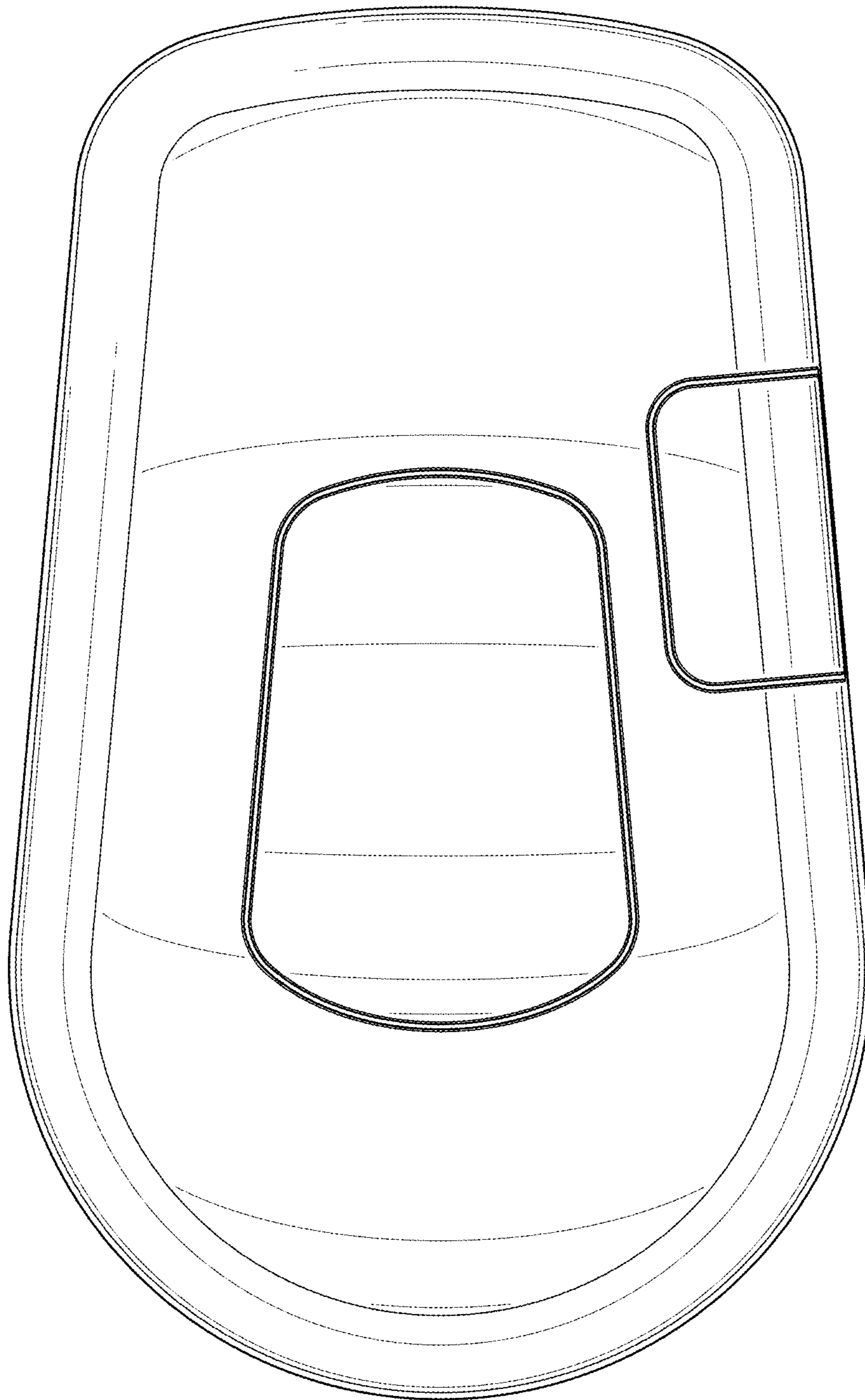


FIG. 7

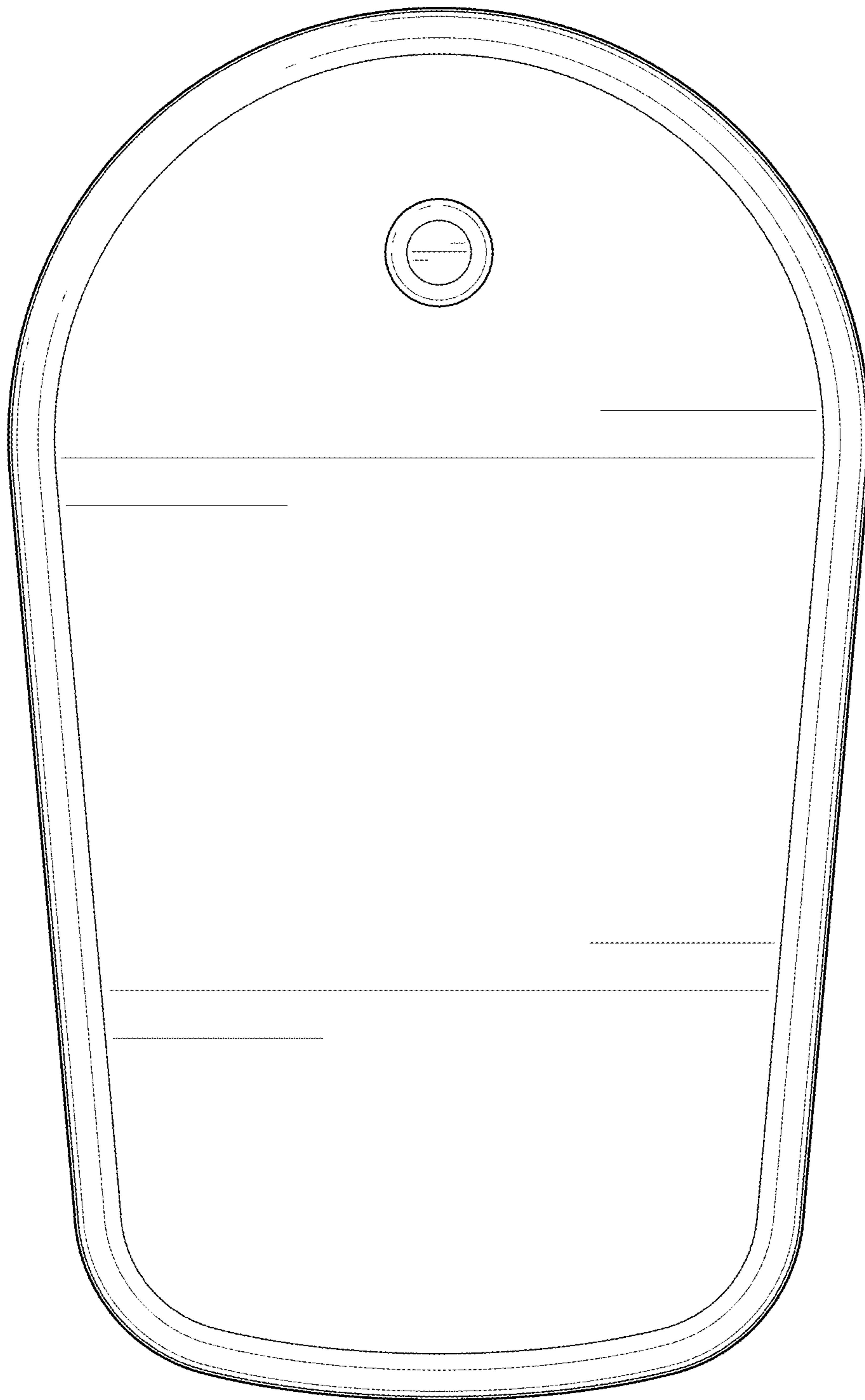


FIG. 8