



US00D812737S

(12) **United States Design Patent**  
**Moulton et al.**

(10) **Patent No.: US D812,737 S**  
(45) **Date of Patent: \*\* \*Mar. 13, 2018**

- (54) **FACE MASK**
- (71) Applicant: **Sleepnet Corporation**, Hampton, NH (US)
- (72) Inventors: **Thomas M. Moulton**, Rye, NH (US);  
**Jerry J. Gong**, Andover, MA (US)
- (73) Assignee: **Sleepnet Corporation**, Hampton, NH (US)

2,845,927 A \* 8/1958 Hill ..... A62B 23/025  
128/206.17  
D188,084 S \* 5/1960 Garelick ..... 128/206.12  
3,014,479 A \* 12/1961 Matheson ..... A41D 13/1146  
128/206.15  
3,137,296 A \* 6/1964 Gurtowski ..... A41D 13/1146  
128/206.12  
D205,332 S \* 7/1966 Nelson ..... 128/206.12  
3,276,445 A \* 10/1966 Langdon ..... A62B 23/025  
128/206.15

(Continued)

(\* ) Notice: This patent is subject to a terminal disclaimer.

(\*\*) Term: **15 Years**

(21) Appl. No.: **29/589,542**

(22) Filed: **Jan. 3, 2017**

**Related U.S. Application Data**

- (63) Continuation-in-part of application No. 29/570,190, filed on Jul. 6, 2016.
- (51) **LOC (11) Cl.** ..... **29-02**
- (52) **U.S. Cl.**  
USPC ..... **D24/110.1**
- (58) **Field of Classification Search**  
USPC ..... D24/108, 110-110.4, 110.6, 127, 162,  
D24/164; D29/108, 110  
CPC ..... A62B 18/025; A62B 18/08; A62B 23/00;  
A62B 23/025; A62B 23/02  
See application file for complete search history.

(56) **References Cited**

**U.S. PATENT DOCUMENTS**

314,485 A \* 3/1885 Spencer ..... A62B 23/025  
128/206.16  
D130,687 S \* 12/1941 Lehmborg ..... D24/110.1  
2,578,007 A 12/1947 Hill  
D161,337 S \* 12/1950 Hill ..... D24/110.1

**FOREIGN PATENT DOCUMENTS**

CA 2770137 A1 3/2011  
CN 103706055 A 4/2014

(Continued)

*Primary Examiner* — Barbara Fox  
*Assistant Examiner* — Lilyana Bekic  
(74) *Attorney, Agent, or Firm* — Pierce Atwood LLP;  
Kevin M. Farrell; David J. Wilson

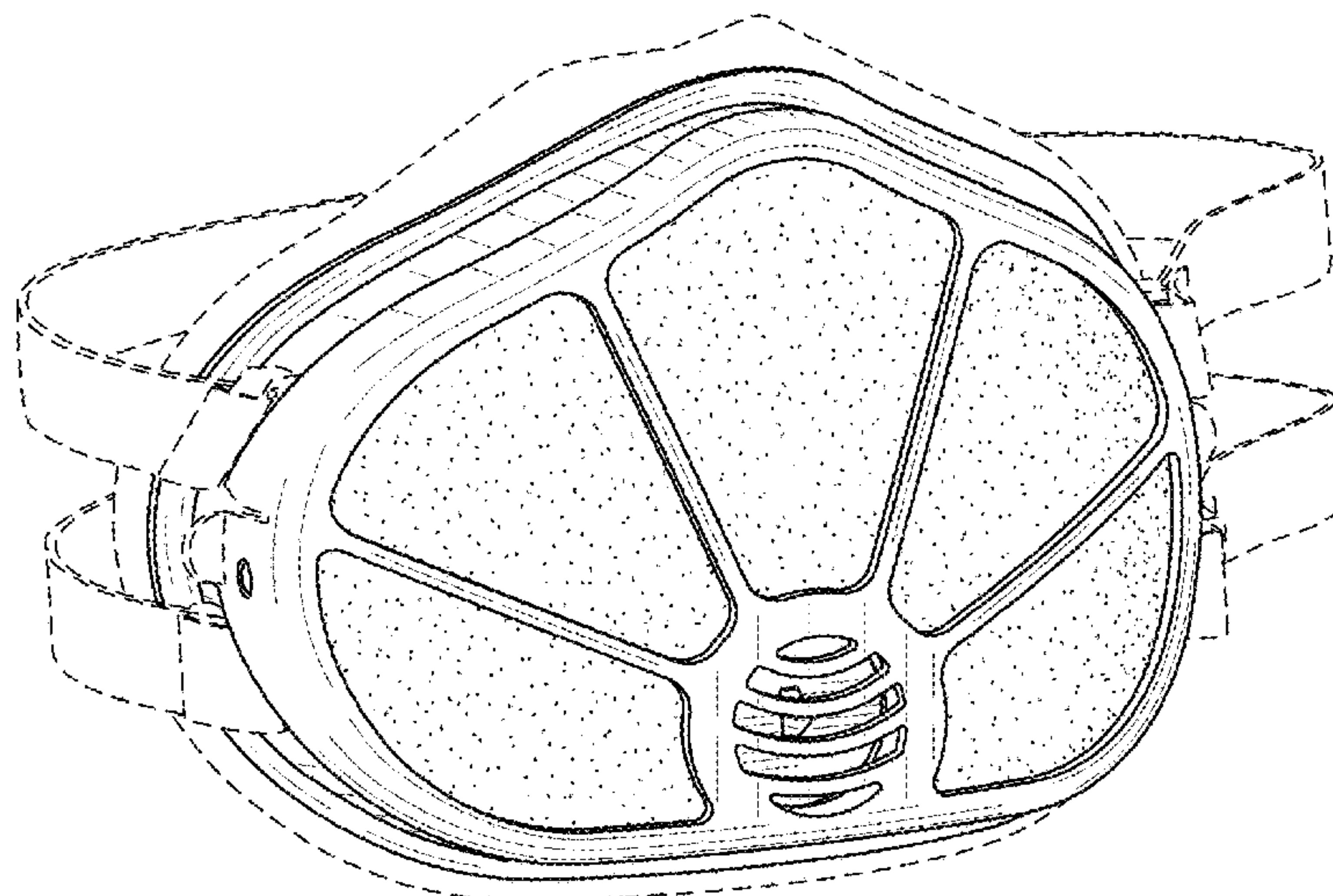
(57) **CLAIM**

The ornamental design for a face mask, as shown and described.

**DESCRIPTION**

FIG. 1 is a front view of a face mask showing our new design;  
FIG. 2 is a rear view of the face mask;  
FIG. 3 is a top view of the face mask;  
FIG. 4 is a bottom view of the face mask;  
FIG. 5 is a right side view of the face mask;  
FIG. 6 is a left side view of the face mask;  
FIG. 7 is a perspective view of the face mask; and,  
FIG. 8 is an exploded perspective view of the face mask.  
The broken line showing of the headgear in FIG. 7 illustrates environment and forms no part of the claimed design. All other broken lines illustrate portions of the face mask that form no part of the claimed design.

**1 Claim, 6 Drawing Sheets**



(56)

**References Cited**

U.S. PATENT DOCUMENTS

3,316,904 A \* 5/1967 Wall ..... A41D 13/1146  
128/205.29  
D294,410 S \* 2/1988 Montesi ..... D24/110.1  
4,856,508 A 8/1989 Tayebi  
5,863,312 A \* 1/1999 Wolfe ..... A41D 13/11  
55/495  
D478,660 S \* 8/2003 Mault ..... D24/110.1  
6,817,362 B2 11/2004 Gelinas et al.  
D773,121 S \* 11/2016 Yuan ..... D29/108  
2003/0029454 A1 \* 2/2003 Gelinas ..... A62B 18/025  
128/205.27  
2006/0005838 A1 1/2006 Magidson  
2009/0151734 A1 6/2009 Park  
2009/0235934 A1 \* 9/2009 Martin ..... A41D 13/1138  
128/206.15  
2009/0320849 A1 \* 12/2009 Biedermann ..... A41D 13/1192  
128/206.28  
2012/0042878 A1 \* 2/2012 Woo ..... A62B 18/025  
128/206.15

2012/0125341 A1 \* 5/2012 Gebrewold ..... A62B 18/025  
128/206.12  
2012/0125342 A1 \* 5/2012 Gebrewold ..... A62B 18/025  
128/206.12  
2013/0139823 A1 \* 6/2013 Lee ..... A62B 18/02  
128/206.19  
2015/0034098 A1 \* 2/2015 Schumacher ..... A62B 18/025  
128/863  
2015/0047642 A1 \* 2/2015 Tucker ..... A62B 7/10  
128/206.17  
2016/0263409 A1 \* 9/2016 Lee ..... A62B 9/04  
2017/0065838 A1 \* 3/2017 Bunge ..... A62B 18/084

FOREIGN PATENT DOCUMENTS

KR 1020060039128 5/2006  
WO 2010064862 A2 6/2010  
WO 2012070805 A2 5/2012  
WO 2015006679 A2 1/2015  
WO 2015168077 A1 11/2015

\* cited by examiner

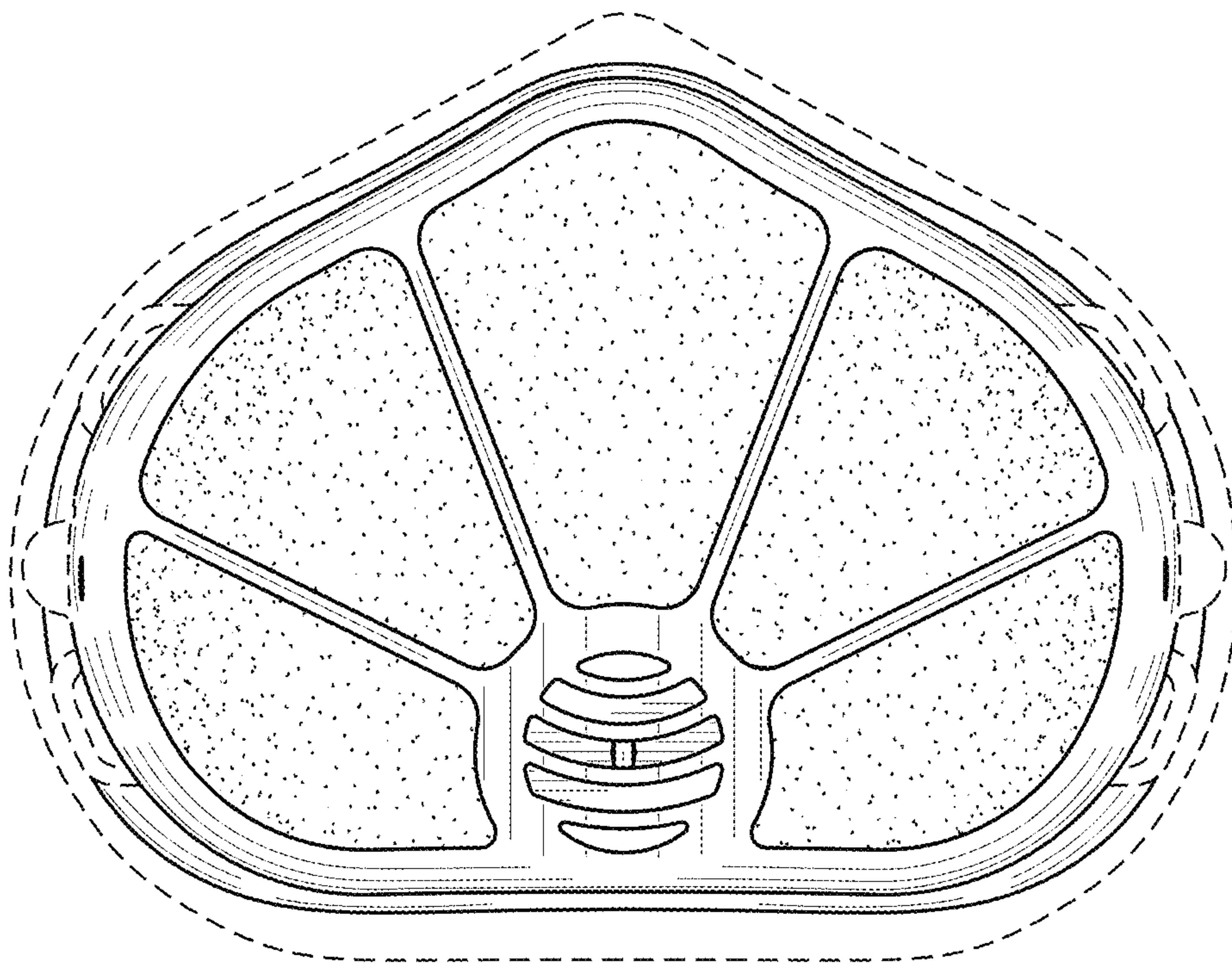


FIG. 1



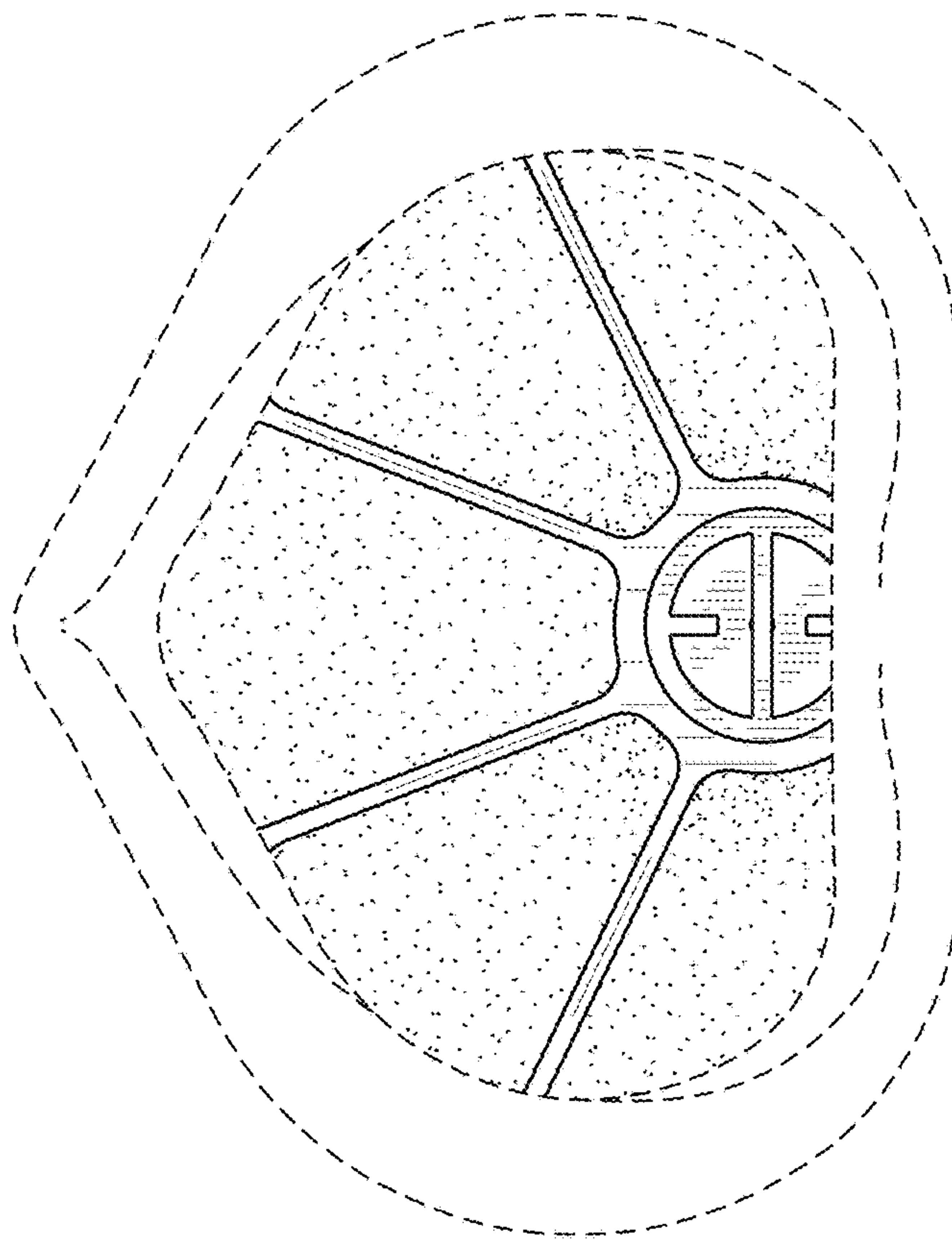


FIG. 2

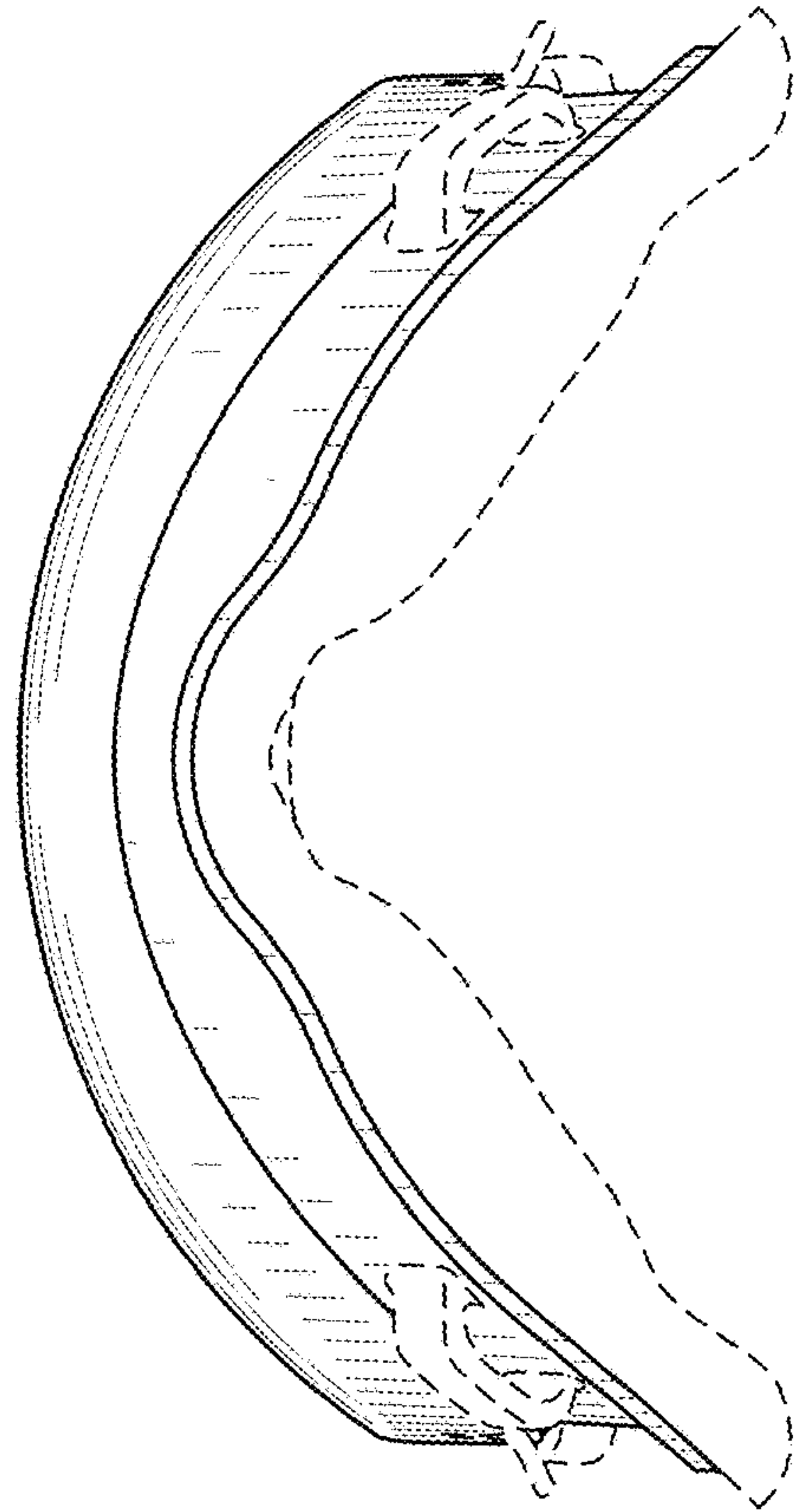


FIG. 3

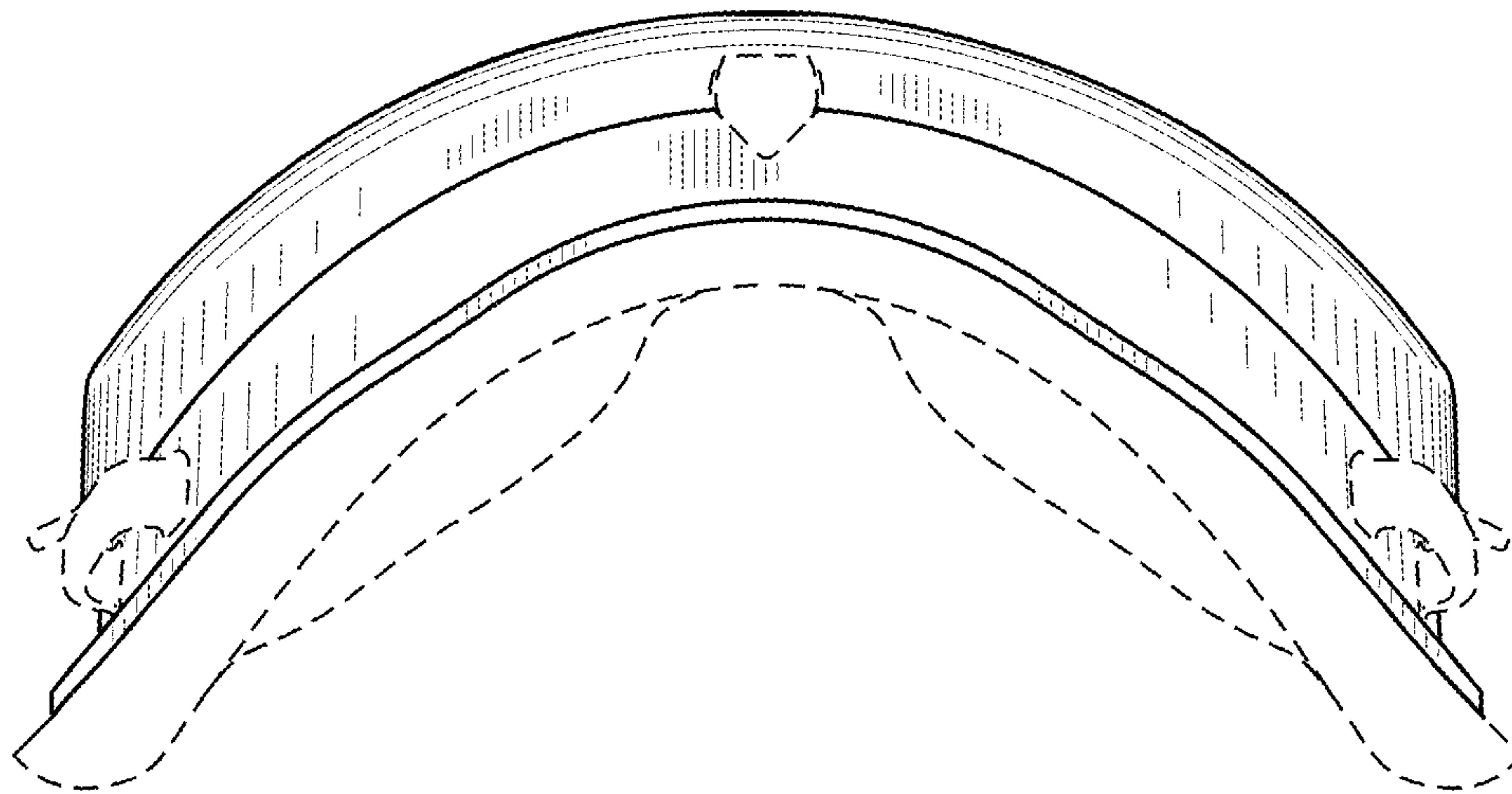


FIG. 4

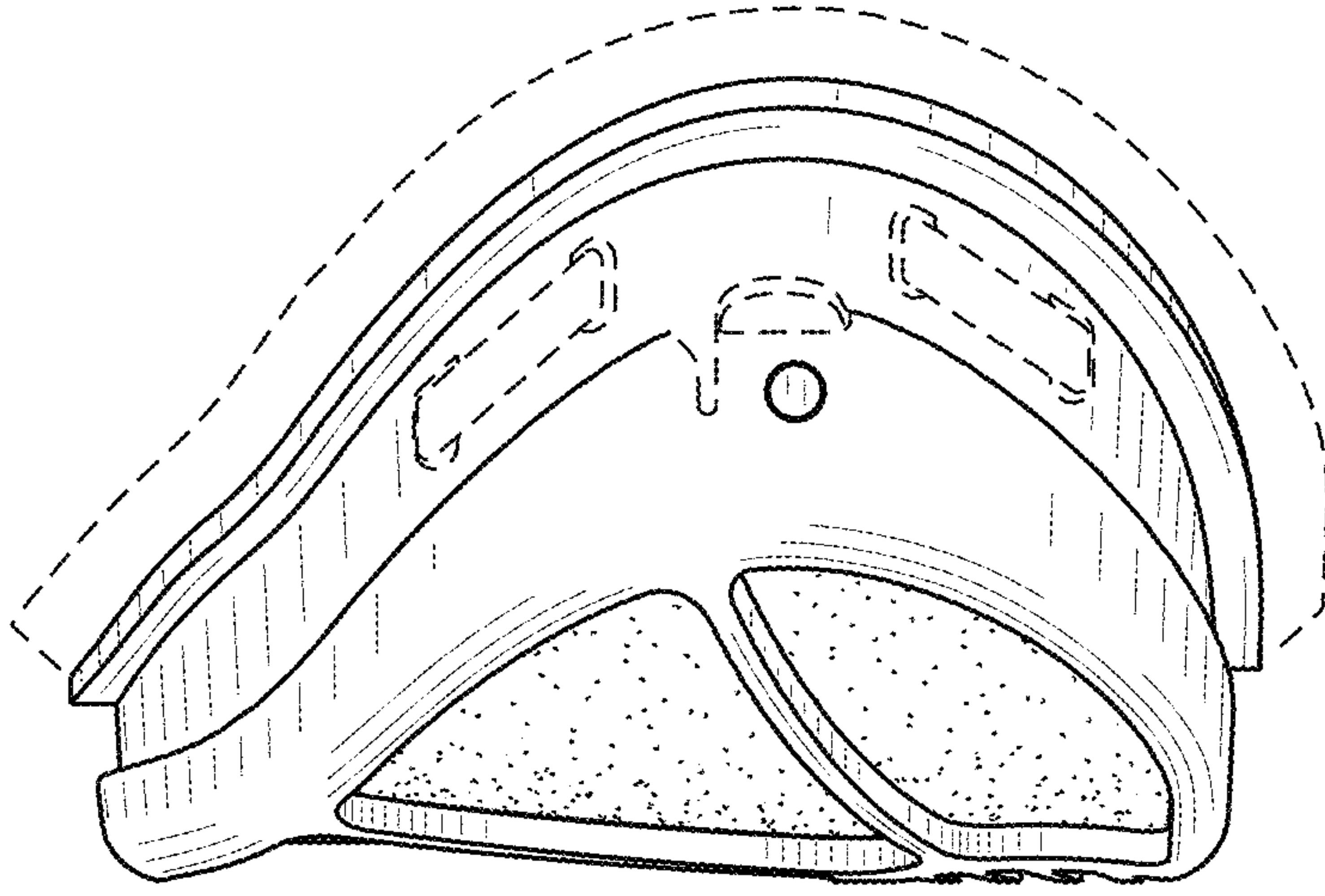


FIG. 6

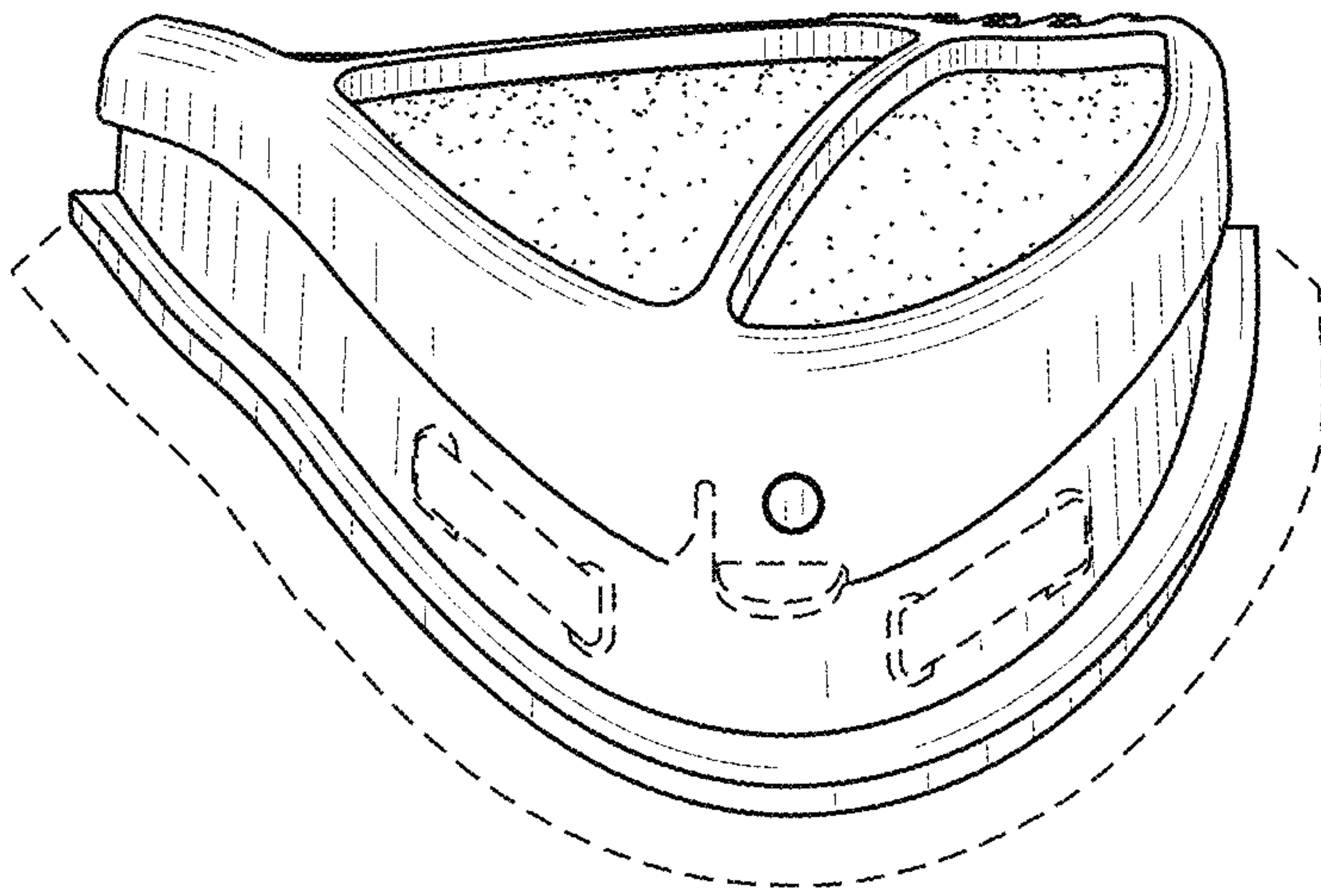


FIG. 5

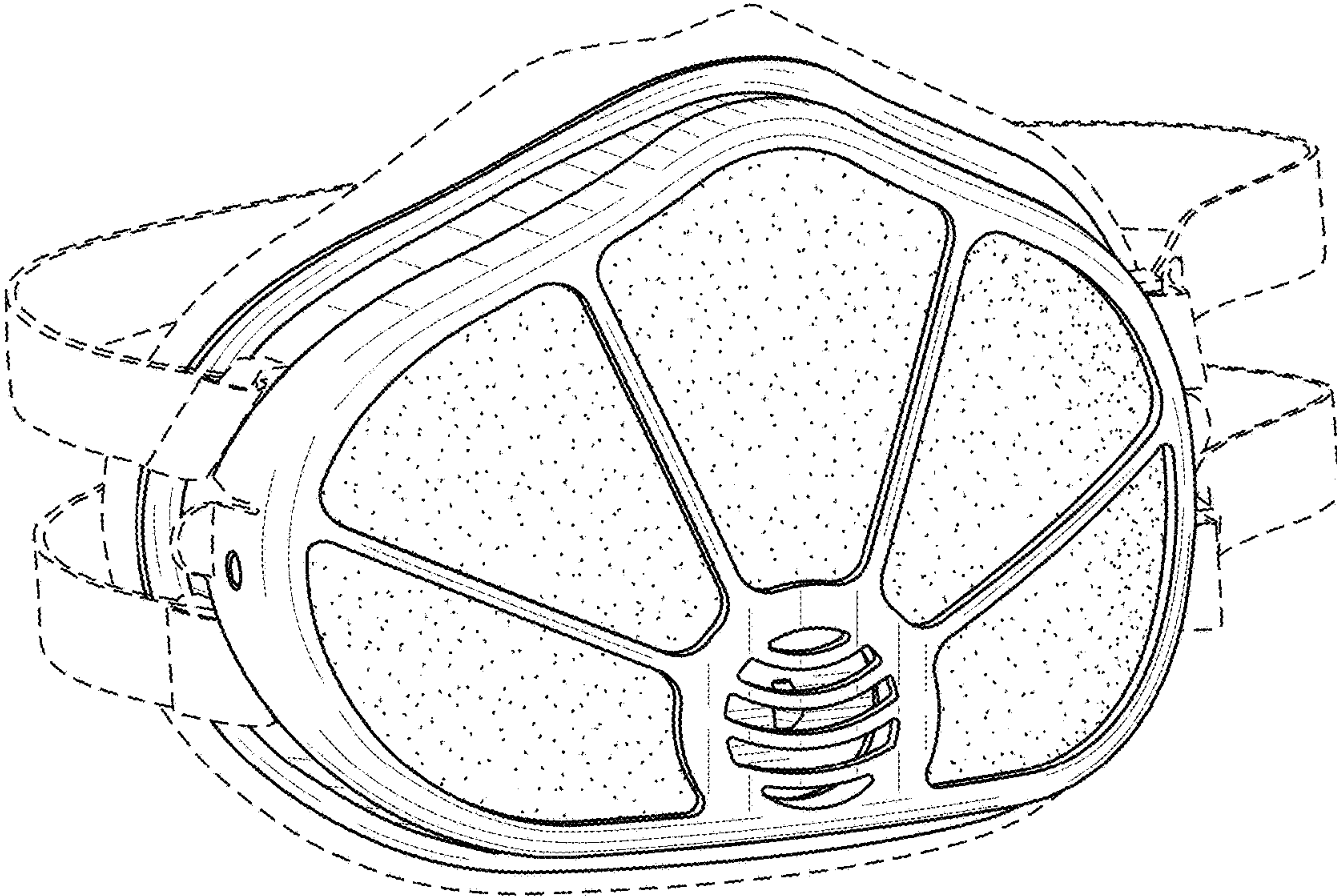


FIG. 7



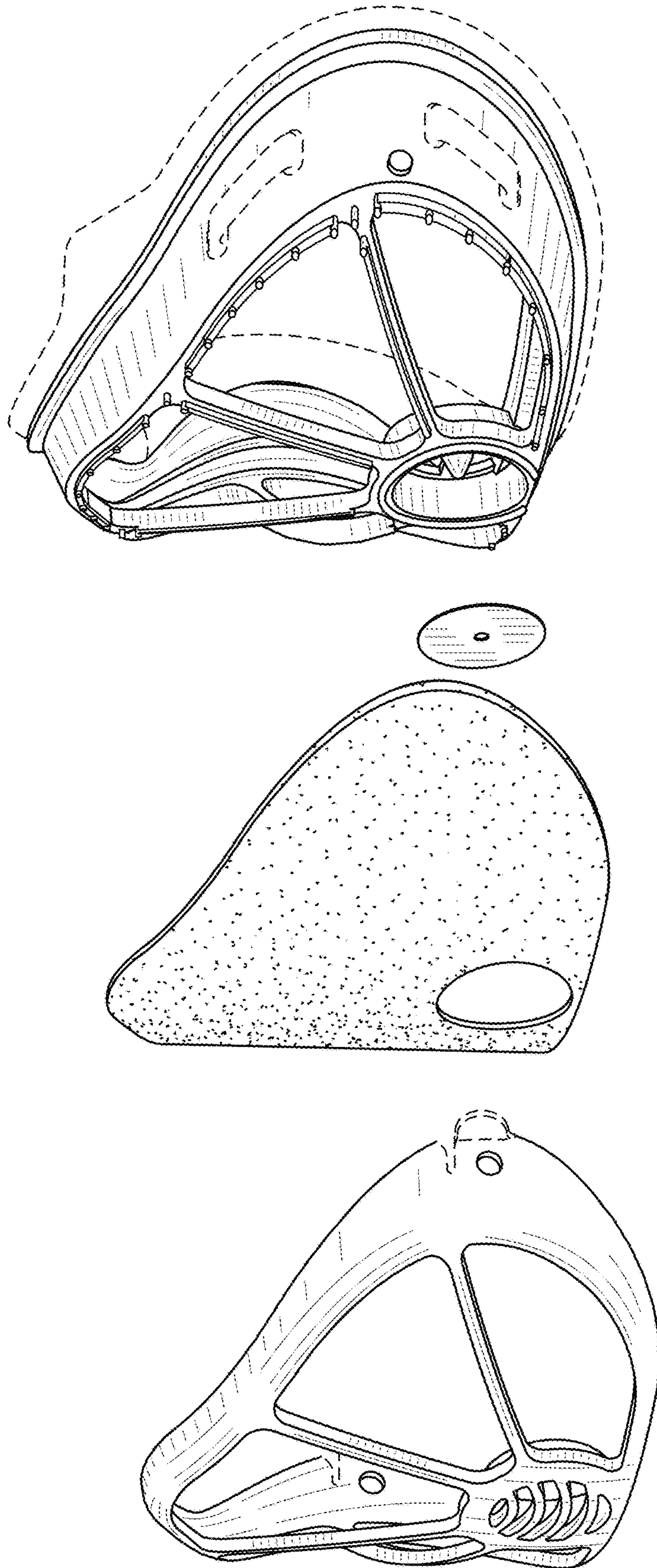


FIG. 8