



US00D812736S

(12) **United States Design Patent** (10) **Patent No.:** **US D812,736 S**
Parker et al. (45) **Date of Patent:** **** Mar. 13, 2018**

- (54) **COUGH SPREAD CONTROL DEVICE**
- (71) Applicant: **Cough-Clean, Inc.**, North Ridgeville, OH (US)
- (72) Inventors: **Russell J. Parker**, North Ridgeville, OH (US); **Willis Yehl**, Hutto, TX (US)
- (73) Assignee: **Cough-Clean, Inc.**, North Ridgeville, OH (US)
- (**) Term: **15 Years**
- (21) Appl. No.: **29/587,306**
- (22) Filed: **Dec. 12, 2016**

5,413,094 A 5/1995 McBrearty
5,627,324 A * 5/1997 Shene A61B 5/0871
73/861.53
D385,819 S * 11/1997 Chen D10/119.3
5,833,740 A * 11/1998 Brais A61L 9/20
422/24

(Continued)

Primary Examiner — Karen E Kearney
Assistant Examiner — Lilyana Bekic
(74) *Attorney, Agent, or Firm* — Curatolo Sidoti Co., LPA; Floyd Trillis, III; Salvatore A. Sidoti

(57) **CLAIM**

The ornamental design for a cough spread control device, as shown and described.

Related U.S. Application Data

- (63) Continuation-in-part of application No. 29/620,268, filed on Sep. 9, 2016.
- (51) **LOC (11) Cl.** **29-02**
- (52) **U.S. Cl.**
USPC **D24/110**
- (58) **Field of Classification Search**
USPC D24/107, 108, 110, 110.5, 164;
D10/119.1–119.3
See application file for complete search history.

DESCRIPTION

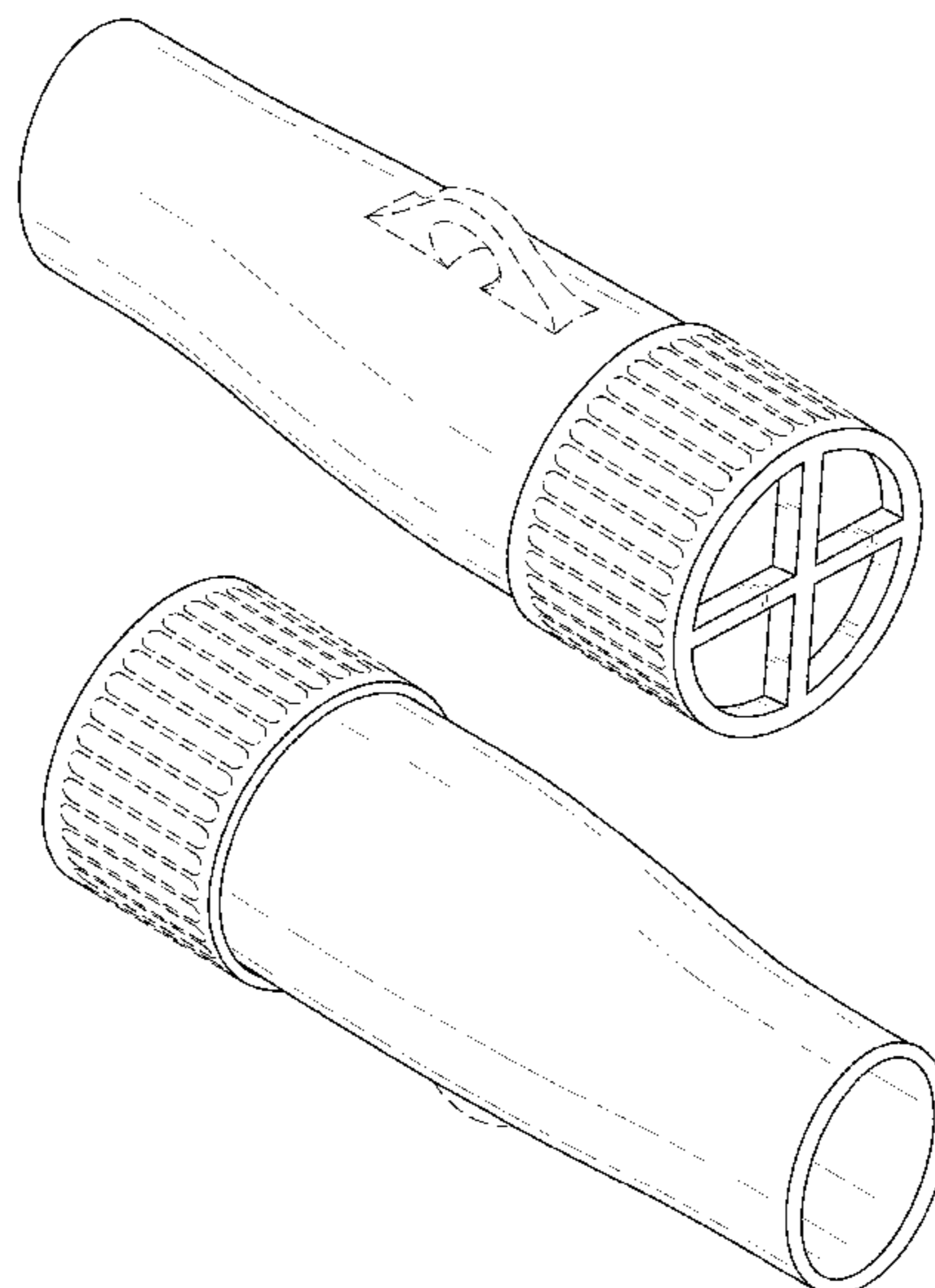
FIG. 1 is a top, rear, and left side perspective view of a cough spread control device having a body and an end cap;
FIG. 2 is a bottom, rear, and right side perspective view thereof;
FIG. 3 is a front view thereof;
FIG. 4 is a rear view thereof;
FIG. 5 is a top view thereof;
FIG. 6 is a bottom view thereof;
FIG. 7 is a front and left side perspective view of the body of the cough spread control device, shown separated for ease of illustration;
FIG. 8 is a left side view thereof;
FIG. 9 is a right side view thereof;
FIG. 10 is a right side perspective view of the end cap of the cough spread control device, shown separated for ease of illustration; and,
FIG. 11 is a left side view thereof.
The broken lines in the drawings depict portions of the cough spread control device that form no part of the claimed design.

(56) **References Cited**

U.S. PATENT DOCUMENTS

- D214,972 S * 8/1969 Katerndahl D24/110
3,719,188 A 3/1973 Fisher et al.
D266,695 S * 10/1982 Trammll D21/411
D281,011 S * 10/1985 Helfer D24/110
4,706,663 A * 11/1987 Makiej A61M 15/00
128/200.18
4,770,413 A * 9/1988 Green A63B 23/18
137/269.5
4,834,212 A 5/1989 Figone et al.
4,932,495 A 6/1990 Chapman

1 Claim, 5 Drawing Sheets



(56)

References Cited

U.S. PATENT DOCUMENTS

6,085,864	A	7/2000	Copeland et al.	
D439,630	S	3/2001	Ellington et al.	
D450,381	S *	11/2001	Weinstein	D24/110
6,401,860	B1	6/2002	Ellington et al.	
D511,210	S *	11/2005	Cardona Burrull	D24/110.5
6,986,348	B2	1/2006	Carter	
D557,788	S *	12/2007	Eloranta	24/110
D569,499	S	5/2008	McCullough	
D574,951	S *	8/2008	Reusch	D24/108
7,997,275	B2	8/2011	Quinn	
D779,071	S *	2/2017	Warner, III	D24/164
9,723,880	B1 *	8/2017	Macey, Jr.	A41D 13/11
2002/0073993	A1 *	6/2002	Weinstein	A61B 5/0871 128/200.24
2005/0034722	A1 *	2/2005	Carter	A41D 13/11 128/200.24
2005/0194010	A1	9/2005	Sankot	
2006/0254591	A1	11/2006	Marx	
2007/0295334	A1	12/2007	Nonomura	
2008/0210225	A1 *	9/2008	Geiger	A61M 15/0086 128/200.14
2009/0101151	A1 *	4/2009	Russell	A62B 23/00 128/206.17
2009/0270831	A1	10/2009	Mazzone	
2011/0083259	A1 *	4/2011	Wright	A61J 19/00 4/261
2014/0014120	A1	1/2014	Wright	
2014/0251349	A1	9/2014	Delatorre	
2016/0067431	A1 *	3/2016	Abate	A61M 11/005 128/200.16
2016/0287139	A1 *	10/2016	Luttrell	G07F 17/3244
2017/0182196	A1 *	6/2017	Patel	A61L 2/26

* cited by examiner

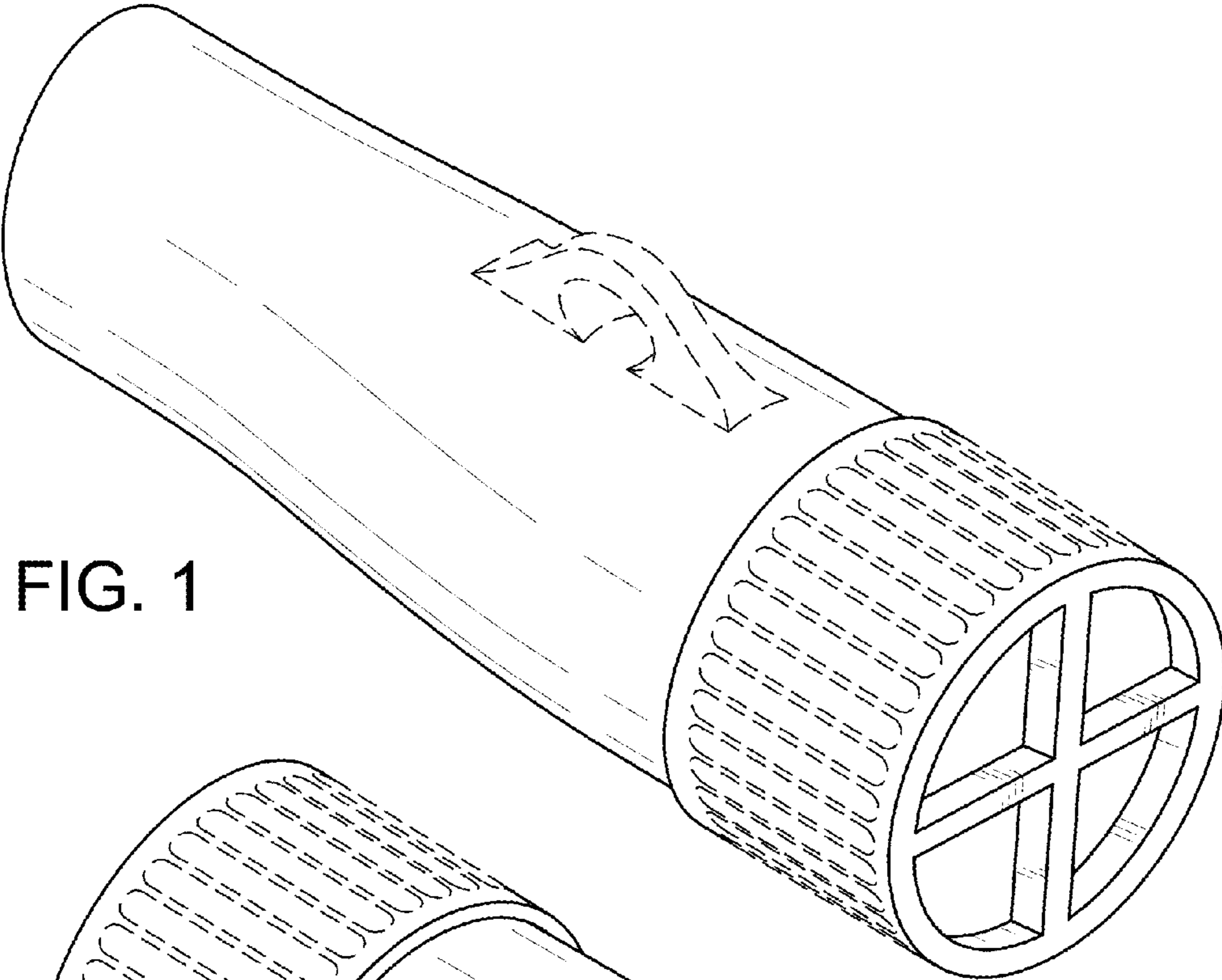


FIG. 1

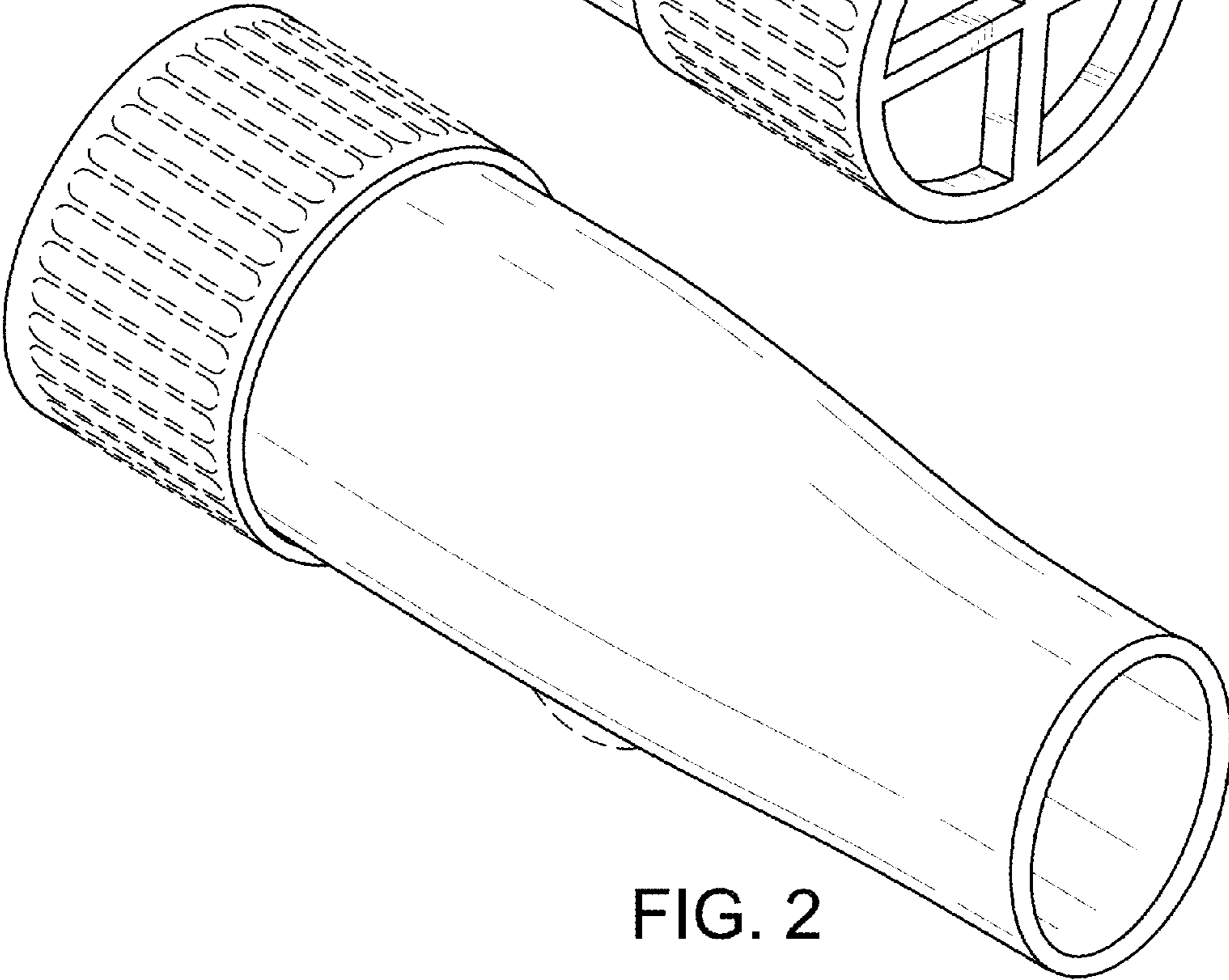


FIG. 2

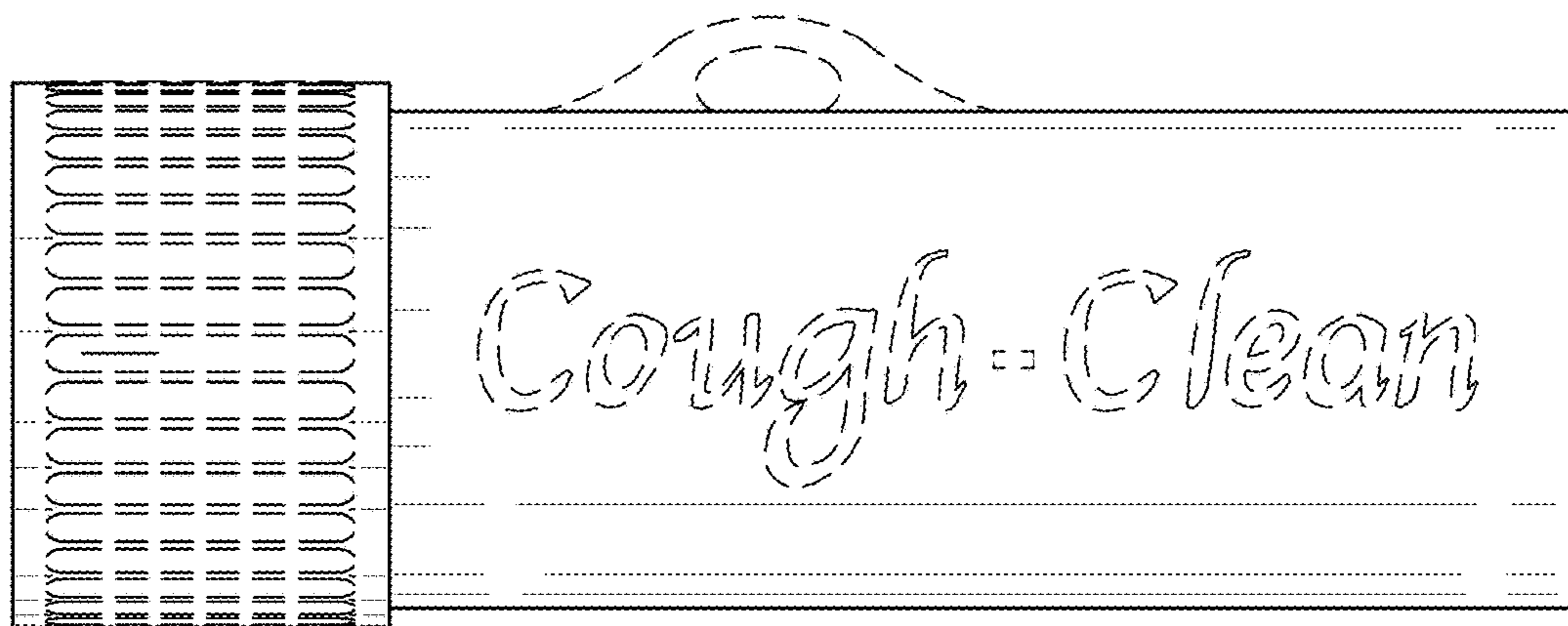


FIG. 3

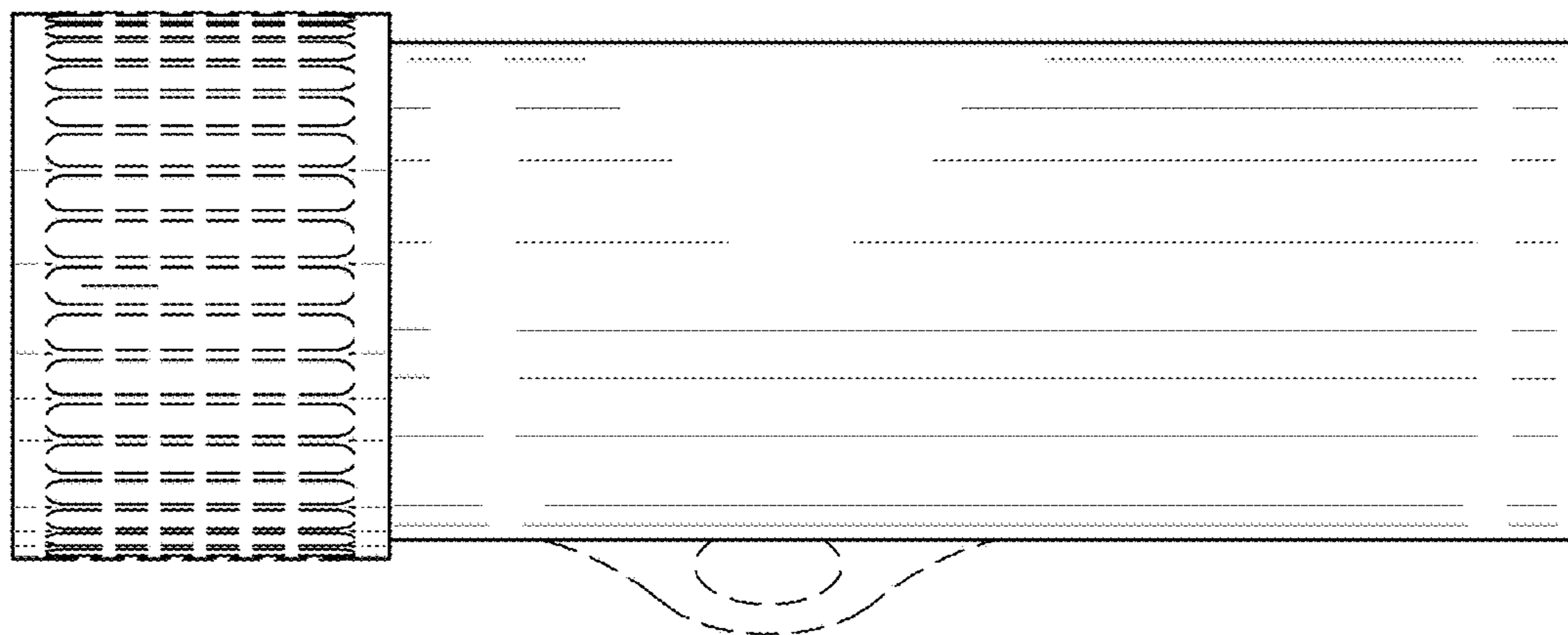


FIG. 4

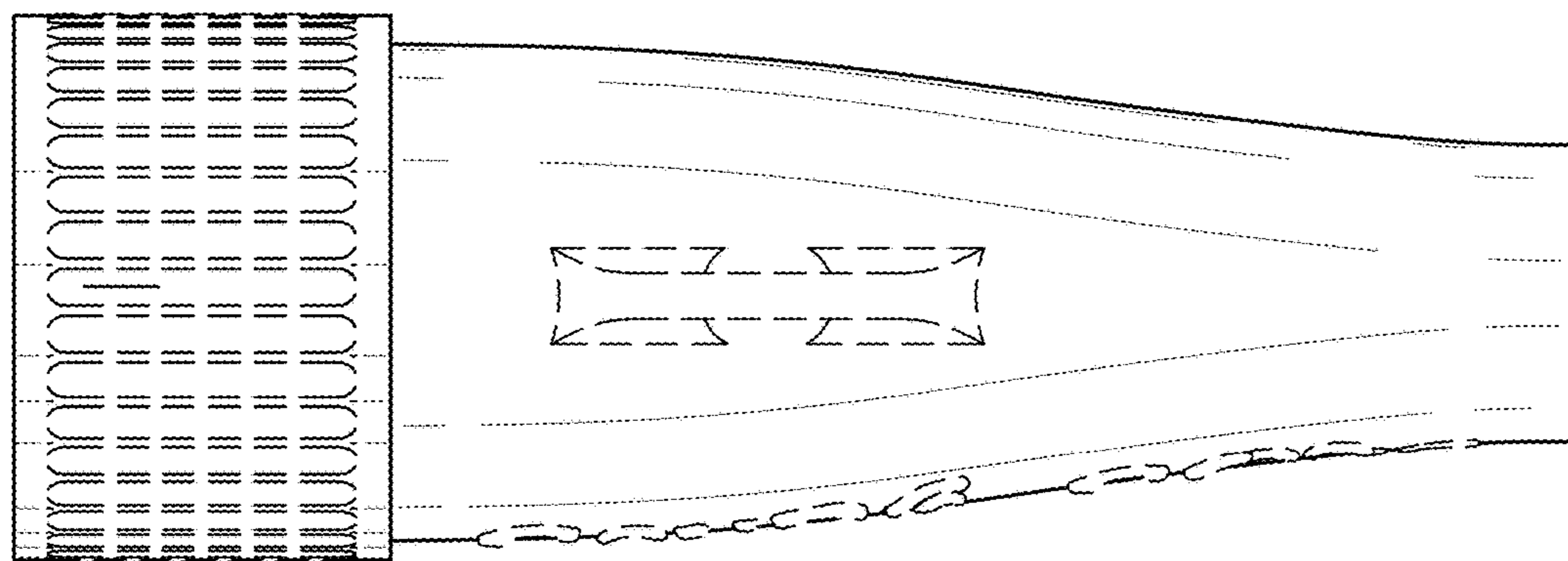


FIG. 5

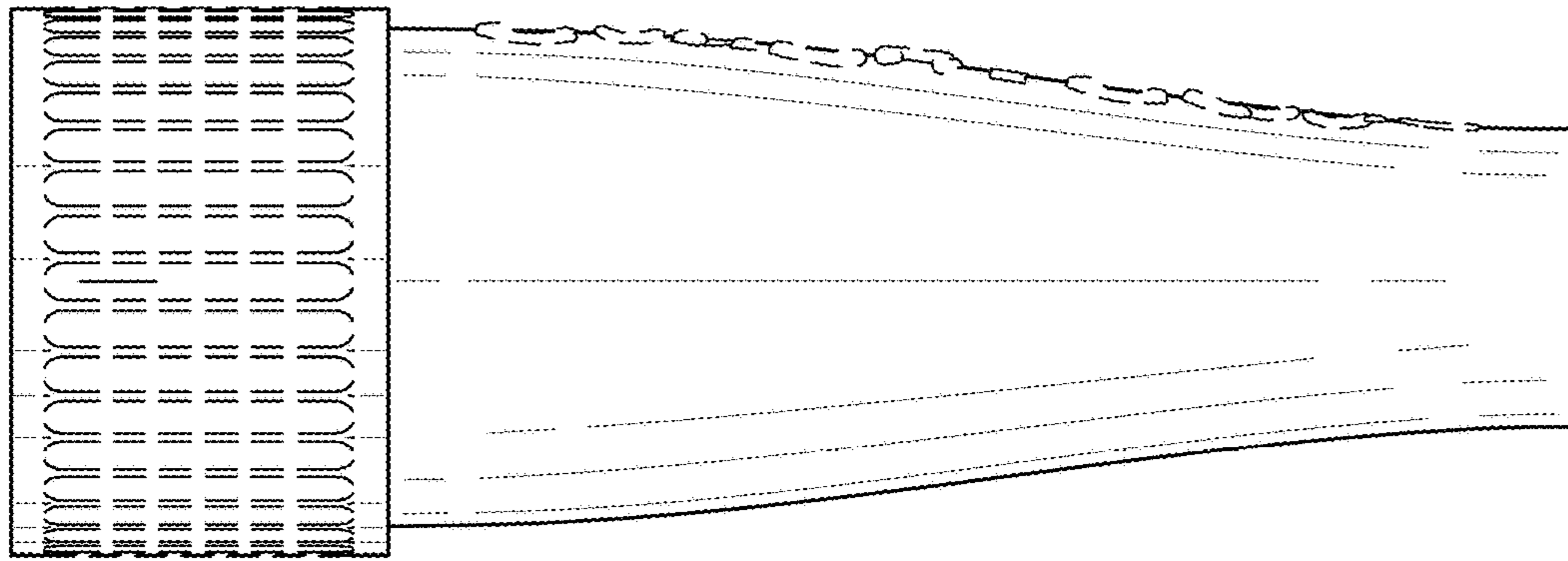


FIG. 6

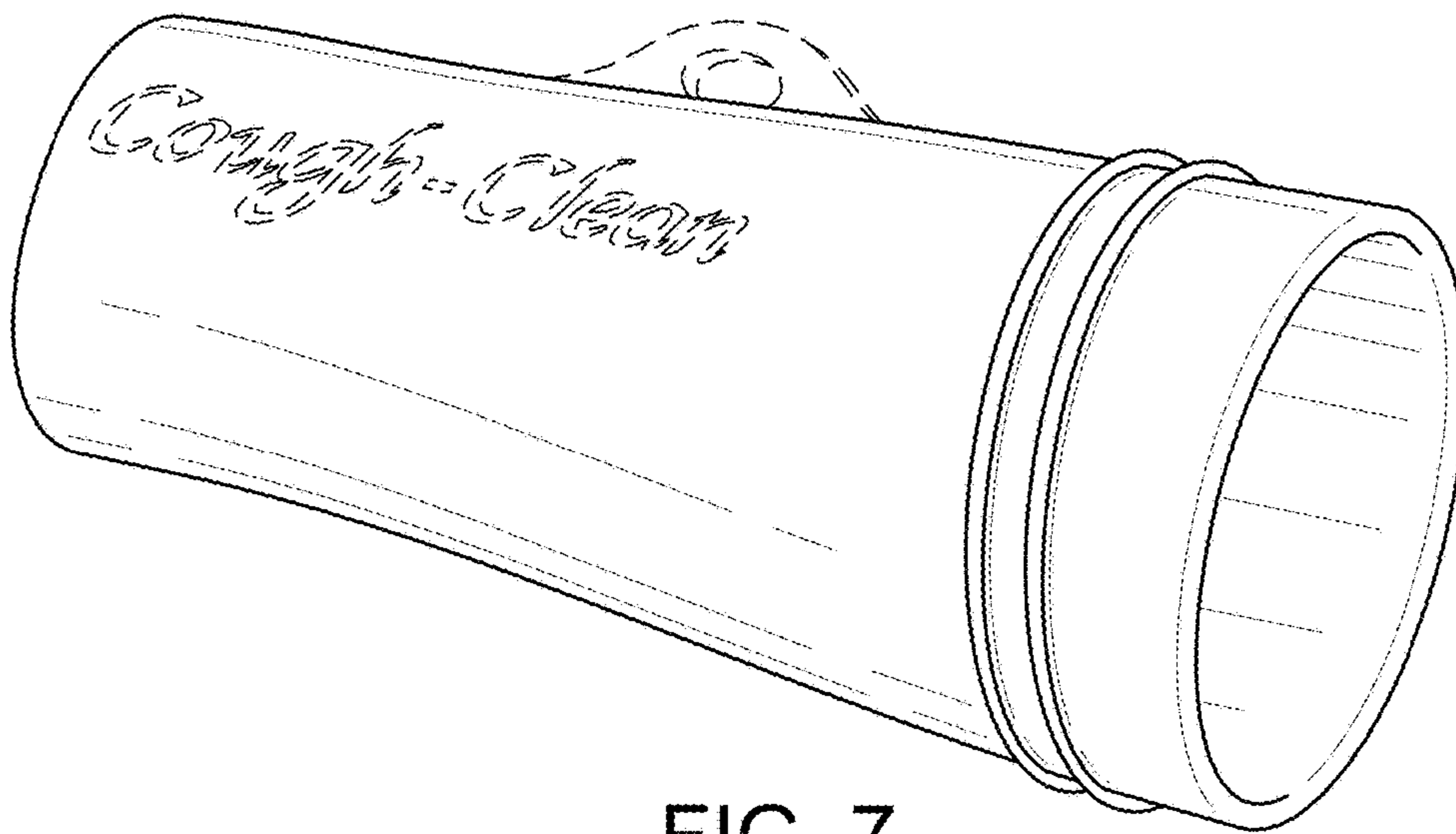


FIG. 7

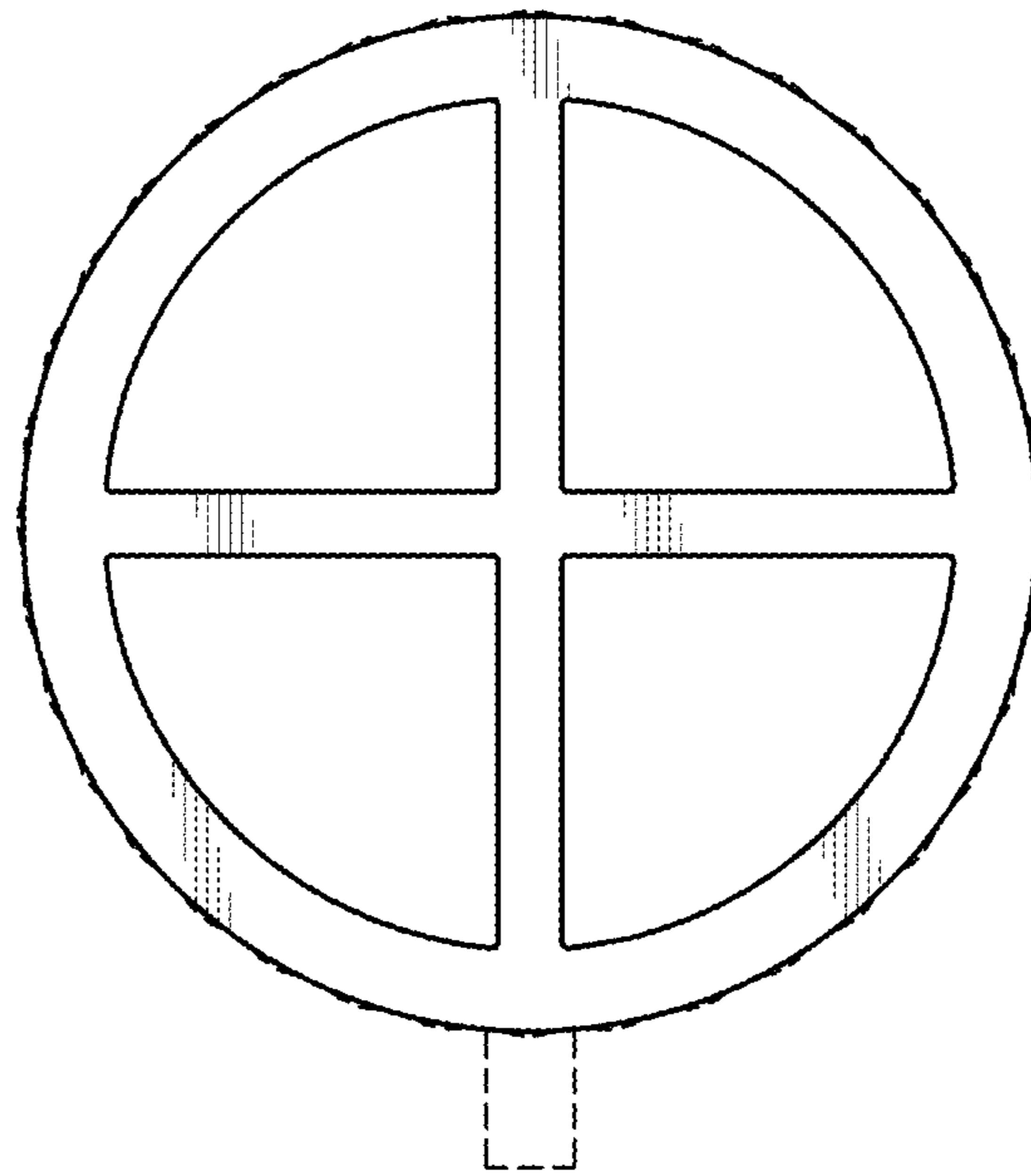


FIG. 8

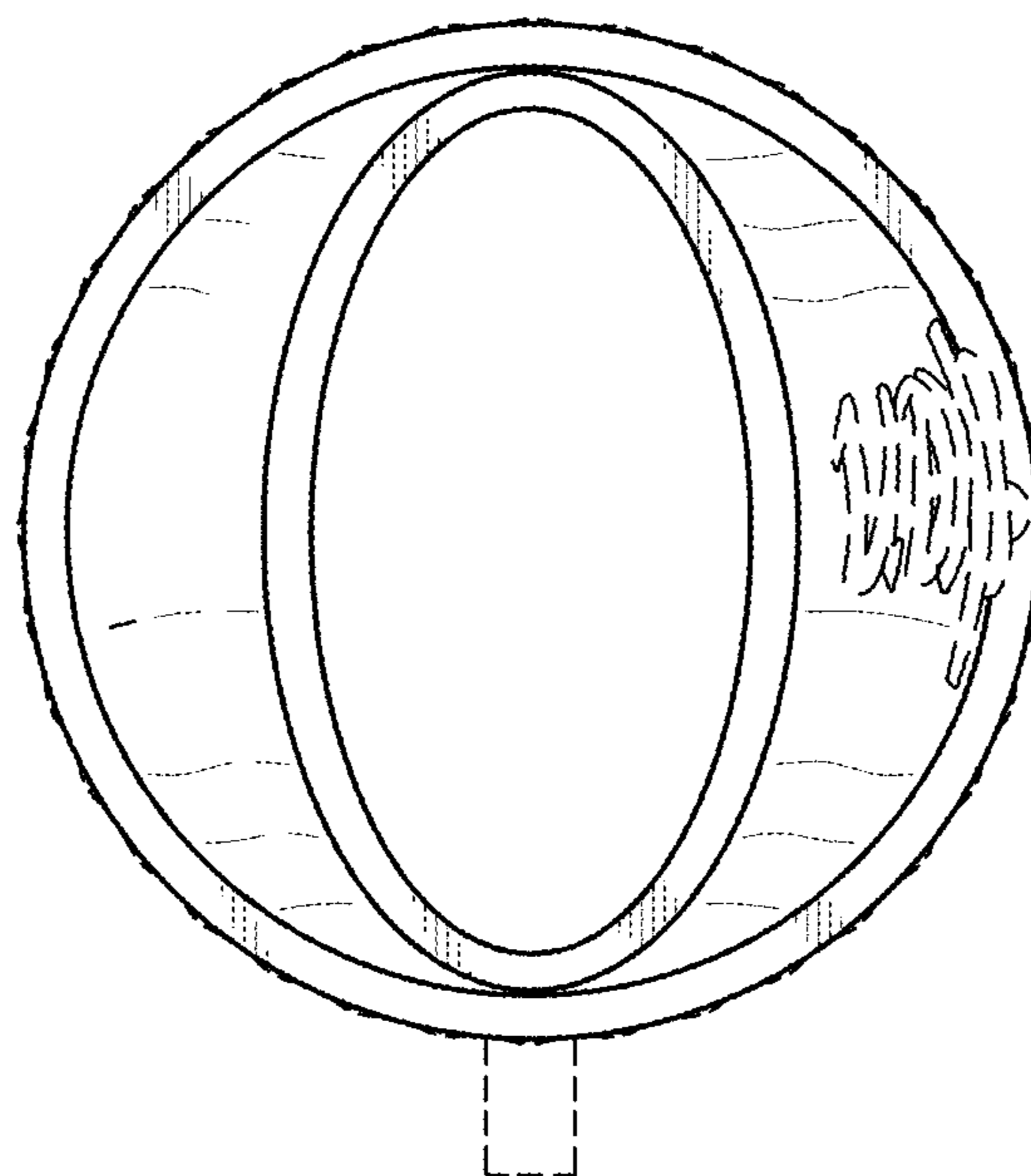


FIG. 9

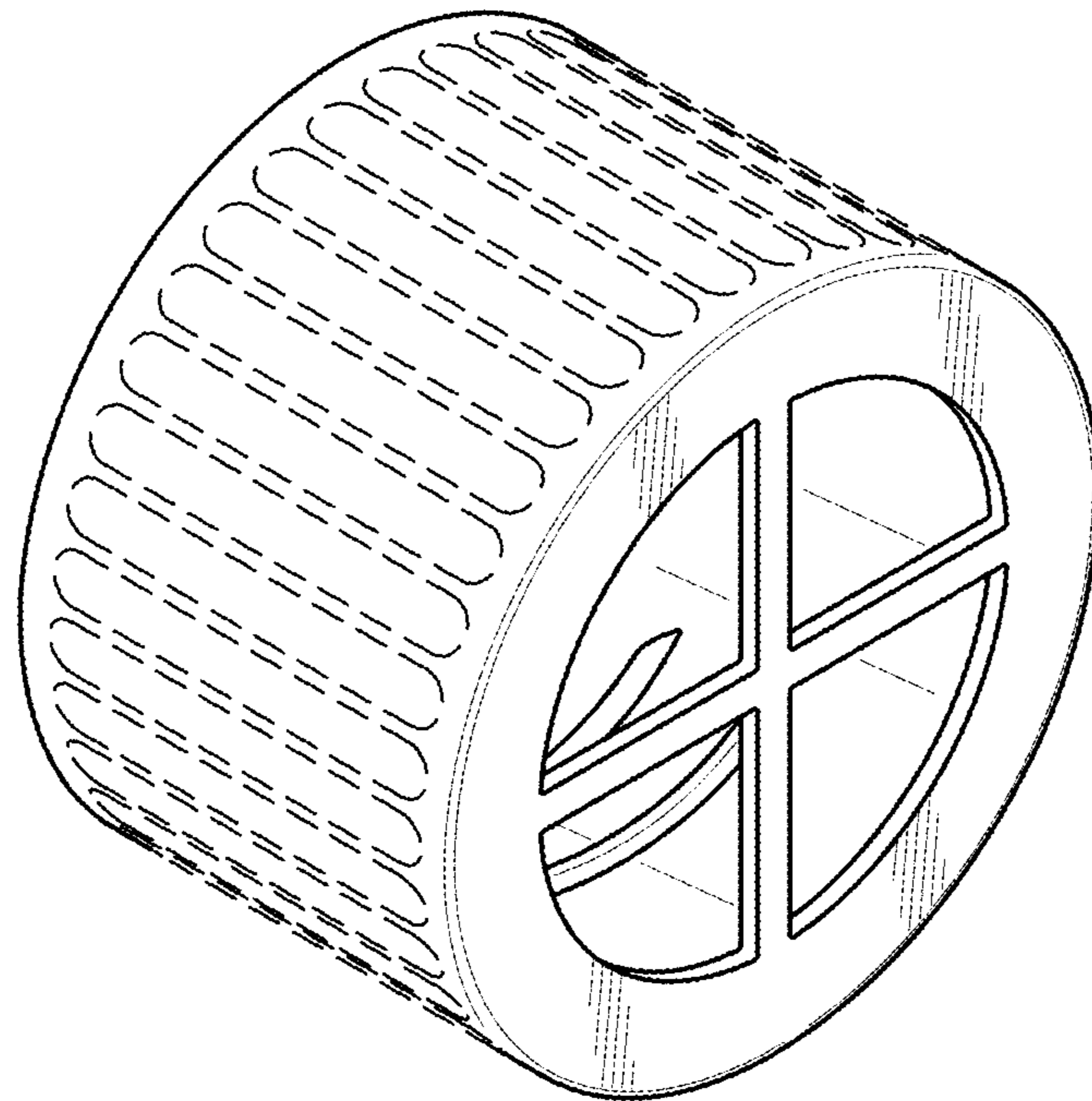


FIG. 10

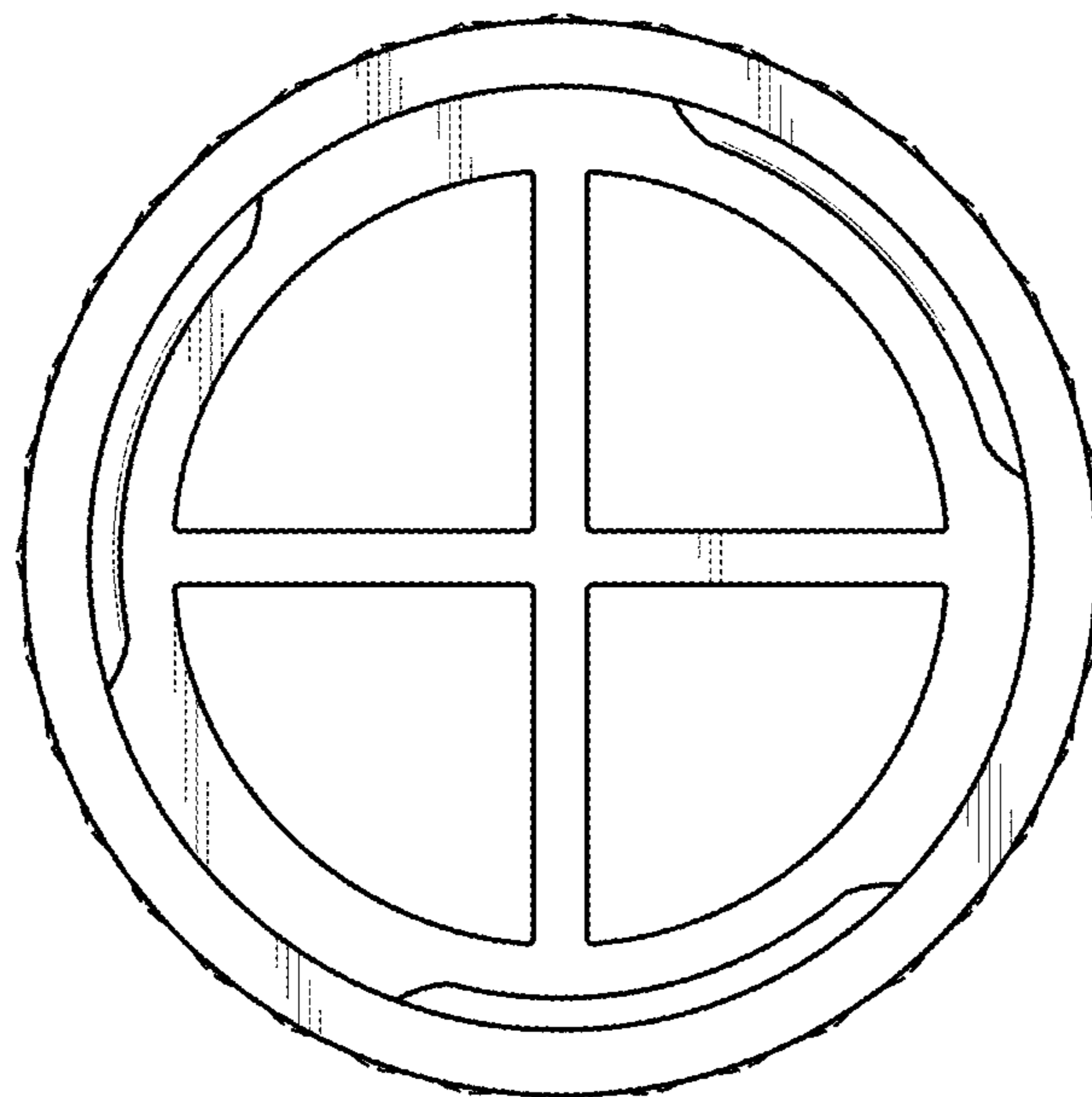


FIG. 11