



US00D812731S

(12) **United States Design Patent**
Matsunaga

(10) **Patent No.:** **US D812,731 S**
(45) **Date of Patent:** **** Mar. 13, 2018**

- (54) **EXHAUST TUBE HOLDING MEMBER**
- (71) Applicant: **NORITZ CORPORATION**, Hyogo (JP)
- (72) Inventor: **Hironao Matsunaga**, Amagasaki (JP)
- (73) Assignee: **NORITZ CORPORATION**, Hyogo (JP)
- (**) Term: **15 Years**
- (21) Appl. No.: **29/606,232**
- (22) Filed: **Jun. 2, 2017**

D507,475 S *	7/2005	Phillips	D8/349
D564,351 S	3/2008	Leclerc		
D592,508 S	5/2009	Perignon		
D611,333 S	3/2010	Sanders		
D625,183 S	10/2010	Bartsch et al.		
D631,326 S *	1/2011	Burns	D8/354
D639,653 S	6/2011	Kanda et al.		
D679,572 S *	4/2013	Attaway	D8/349
D687,702 S	8/2013	Yates		
D704,043 S	5/2014	Gledhill et al.		
D718,116 S *	11/2014	Taing	D8/349
D756,766 S	5/2016	Orwin		
D770,872 S	11/2016	Gledhill et al.		
2017/0122556 A1 *	5/2017	Matsunaga	F23J 13/02

* cited by examiner

Primary Examiner — Sheryl Lane

Assistant Examiner — Calvin E Vansant

(74) *Attorney, Agent, or Firm* — Studebaker & Brackett PC

Related U.S. Application Data

- (62) Division of application No. 29/549,270, filed on Dec. 21, 2015.
- (51) **LOC (11) Cl.** **23-03**
- (52) **U.S. Cl.**
USPC **D23/322**
- (58) **Field of Classification Search**
USPC D8/396; D23/314, 317, 330, 332–333,
D23/335–351, 354, 356
CPC A47L 9/248; Y10T 24/14; Y10T 24/3444;
F23L 17/02; F23J 13/02
See application file for complete search history.

(57) **CLAIM**

The ornamental design for an exhaust tube holding member, as shown and described.

DESCRIPTION

FIG. 1 is a front view of an exhaust tube holding member for holding an exhaust tube which is connected to a combustion apparatus and introduced into an exhaust pipe, in accordance with the present design;

FIG. 2 is a rear view thereof;

FIG. 3 is a top plan view thereof;

FIG. 4 is a bottom plan view thereof;

FIG. 5 is a right side view thereof;

FIG. 6 is a left side view thereof;

FIG. 7 is a first top perspective view thereof;

FIG. 8 is a second top perspective view thereof;

FIG. 9 is a first bottom perspective view thereof;

FIG. 10 is a second bottom perspective view thereof; and,

FIG. 11 is a sectional view taken along line 11-11 of FIG. 3.

1 Claim, 5 Drawing Sheets

(56) **References Cited**

U.S. PATENT DOCUMENTS

1,452,492 A *	4/1923	Carpenter	F16B 43/007 301/68
D252,246 S	7/1979	Christian		
D308,160 S	5/1990	Sweeny et al.		
D320,200 S *	9/1991	Kirwan	D14/453
D344,449 S	2/1994	Ward		
D392,874 S *	3/1998	Nakamura	D8/356
D410,968 S	6/1999	Swan et al.		
D417,390 S	12/1999	Hofman		
6,065,779 A	5/2000	Moner		

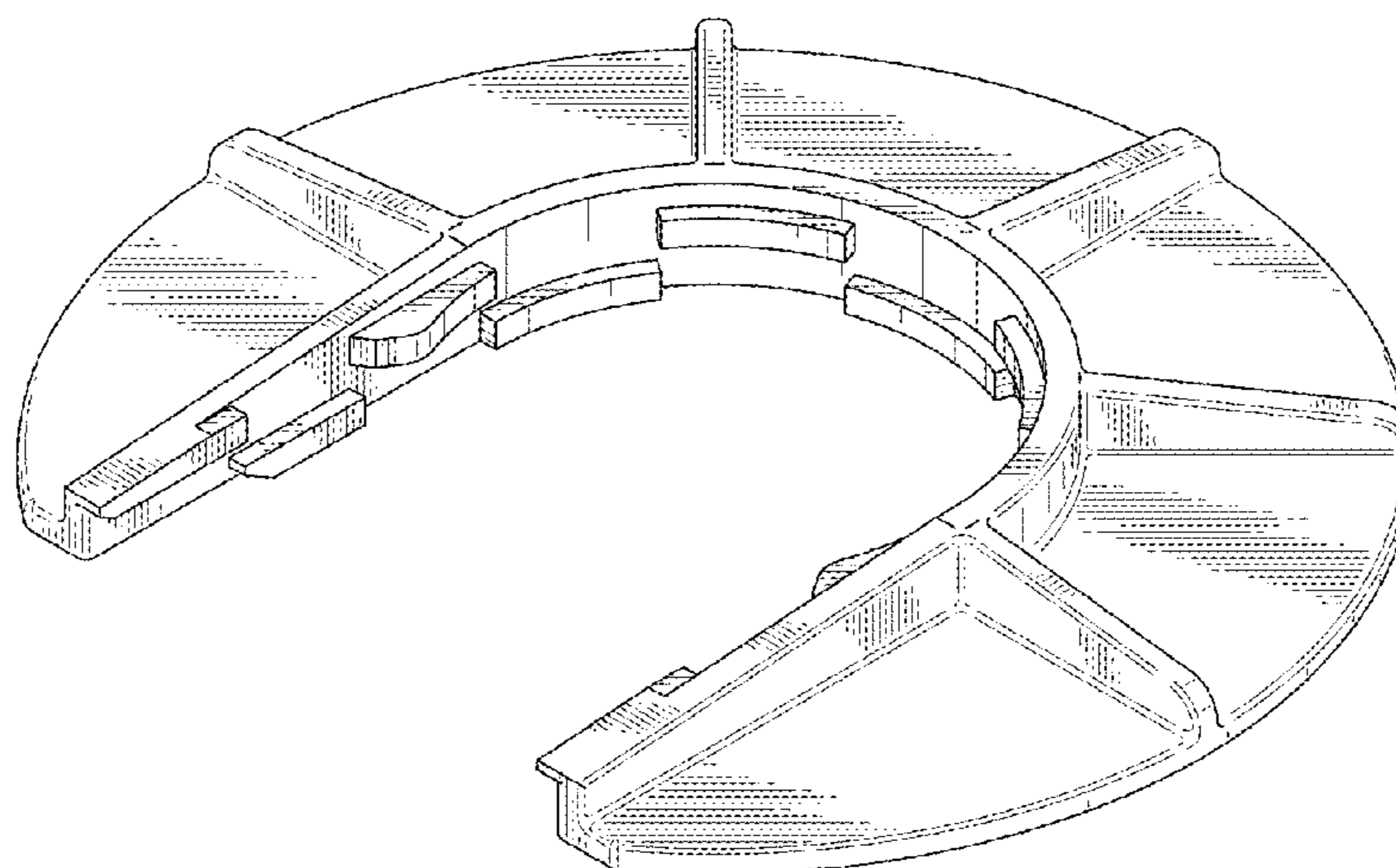


FIG.1

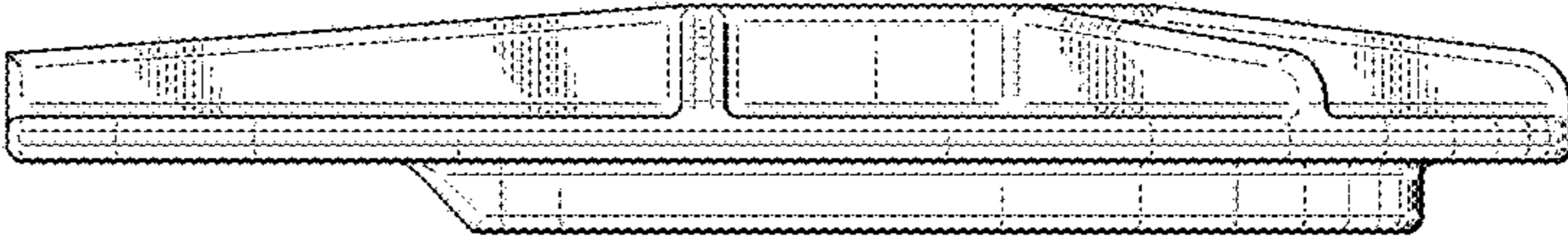


FIG.2

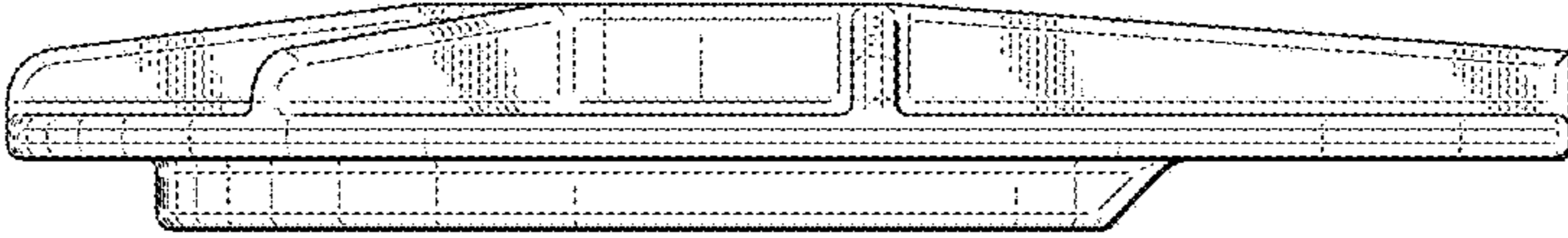


FIG.3

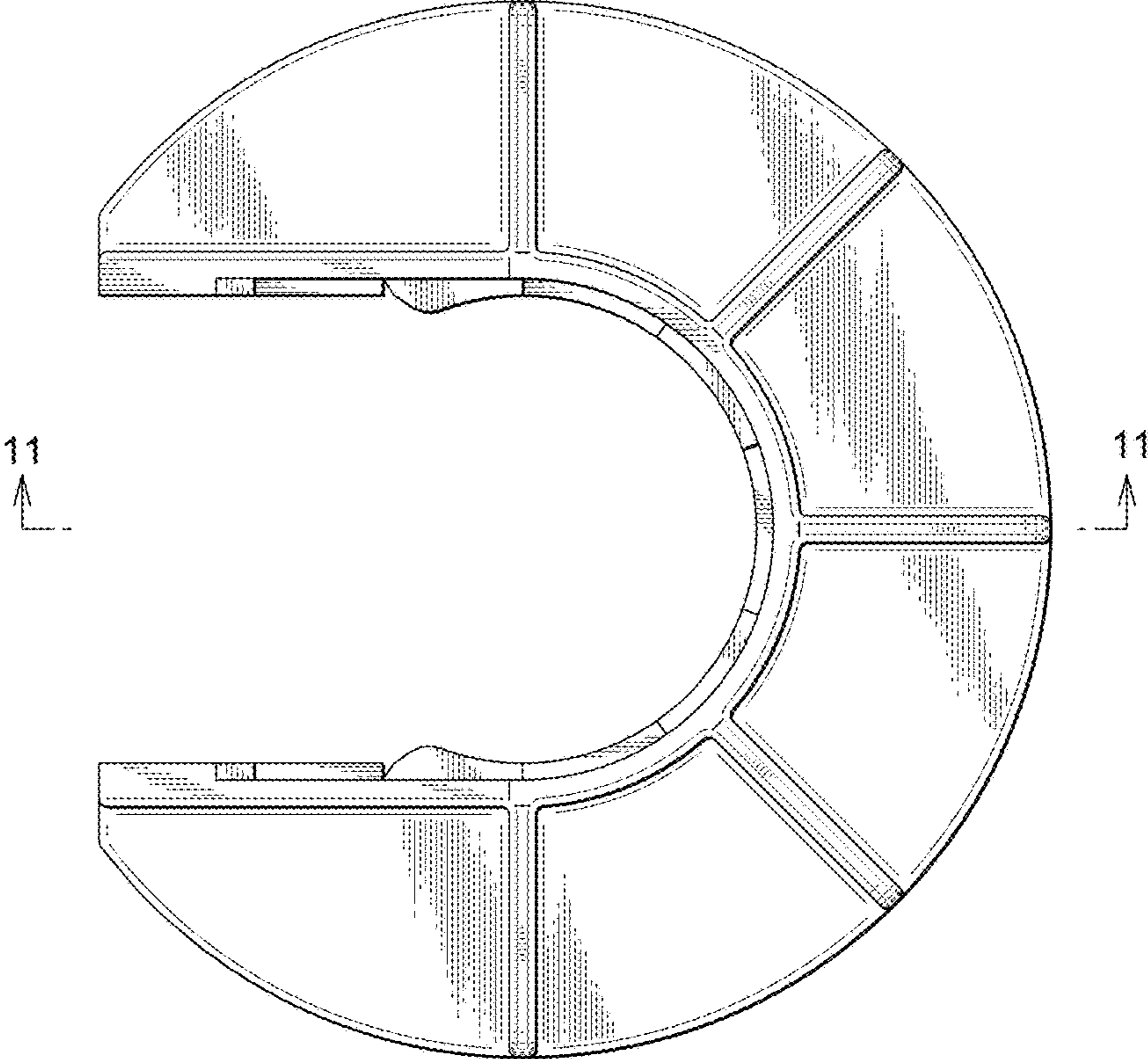


FIG.4

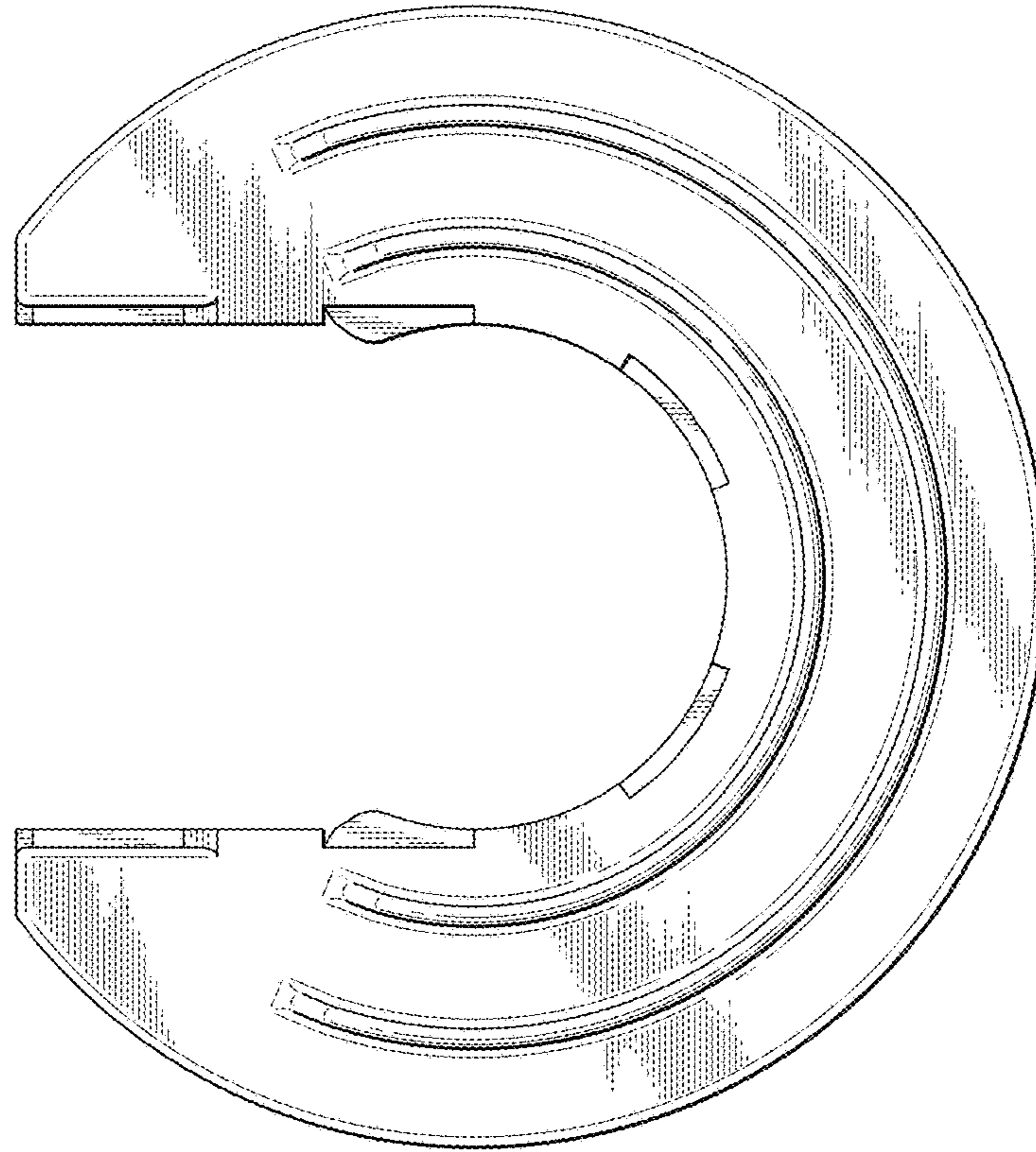


FIG.5

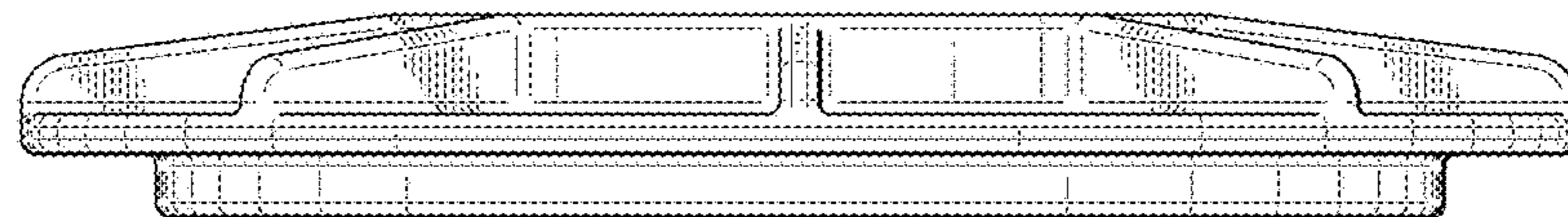


FIG.6

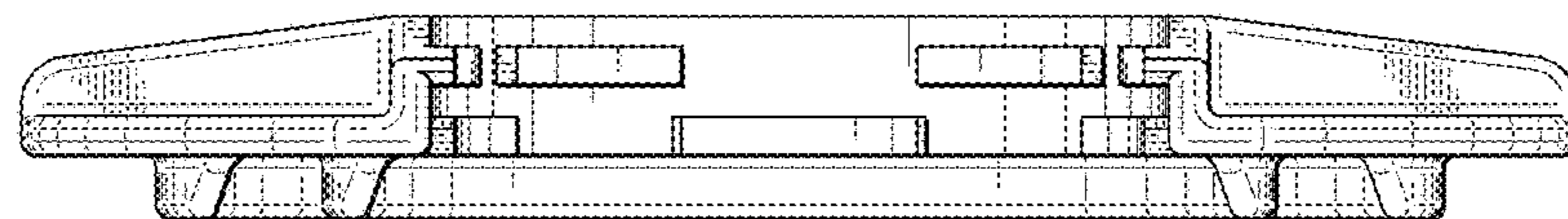


FIG.7

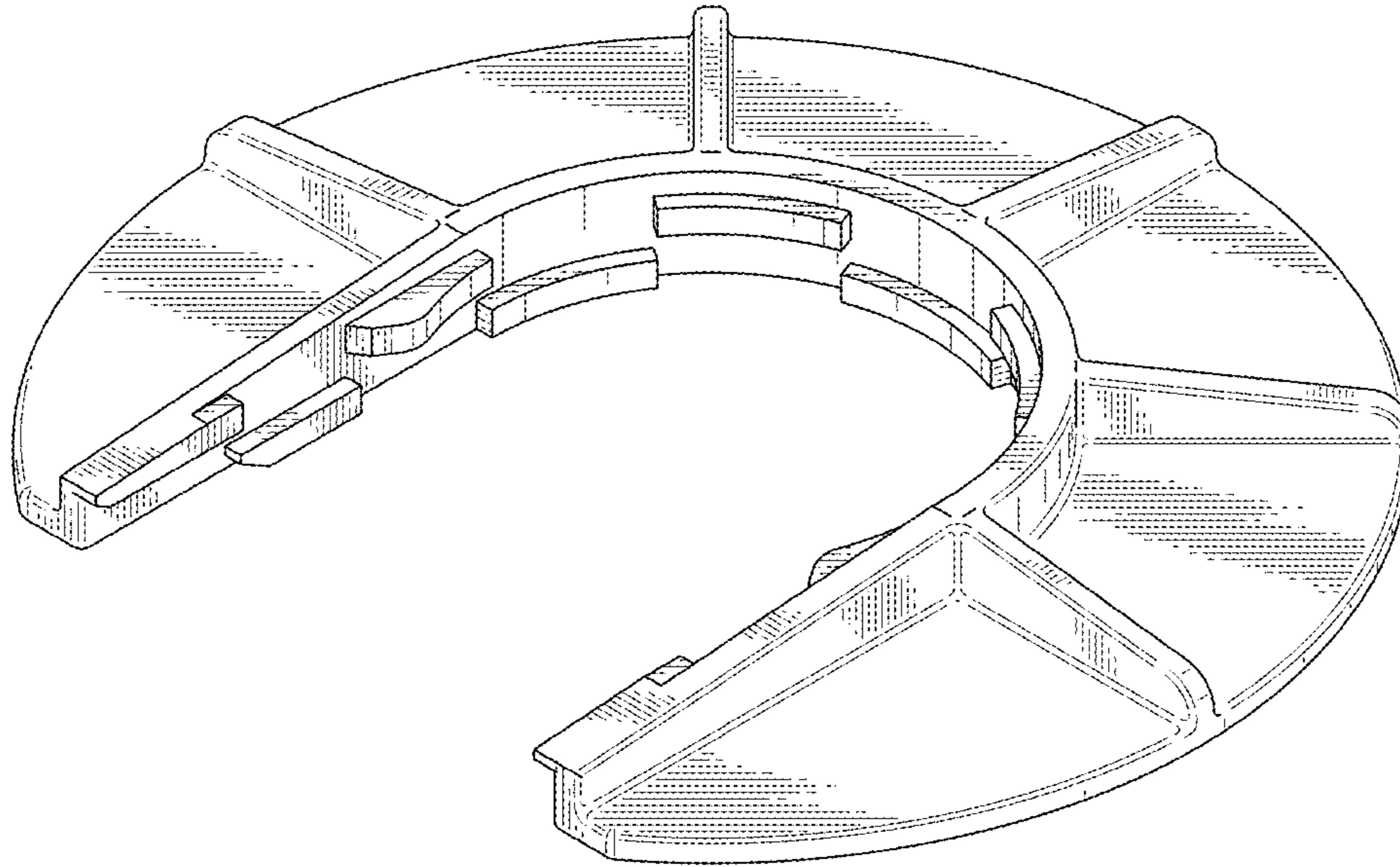


FIG.8

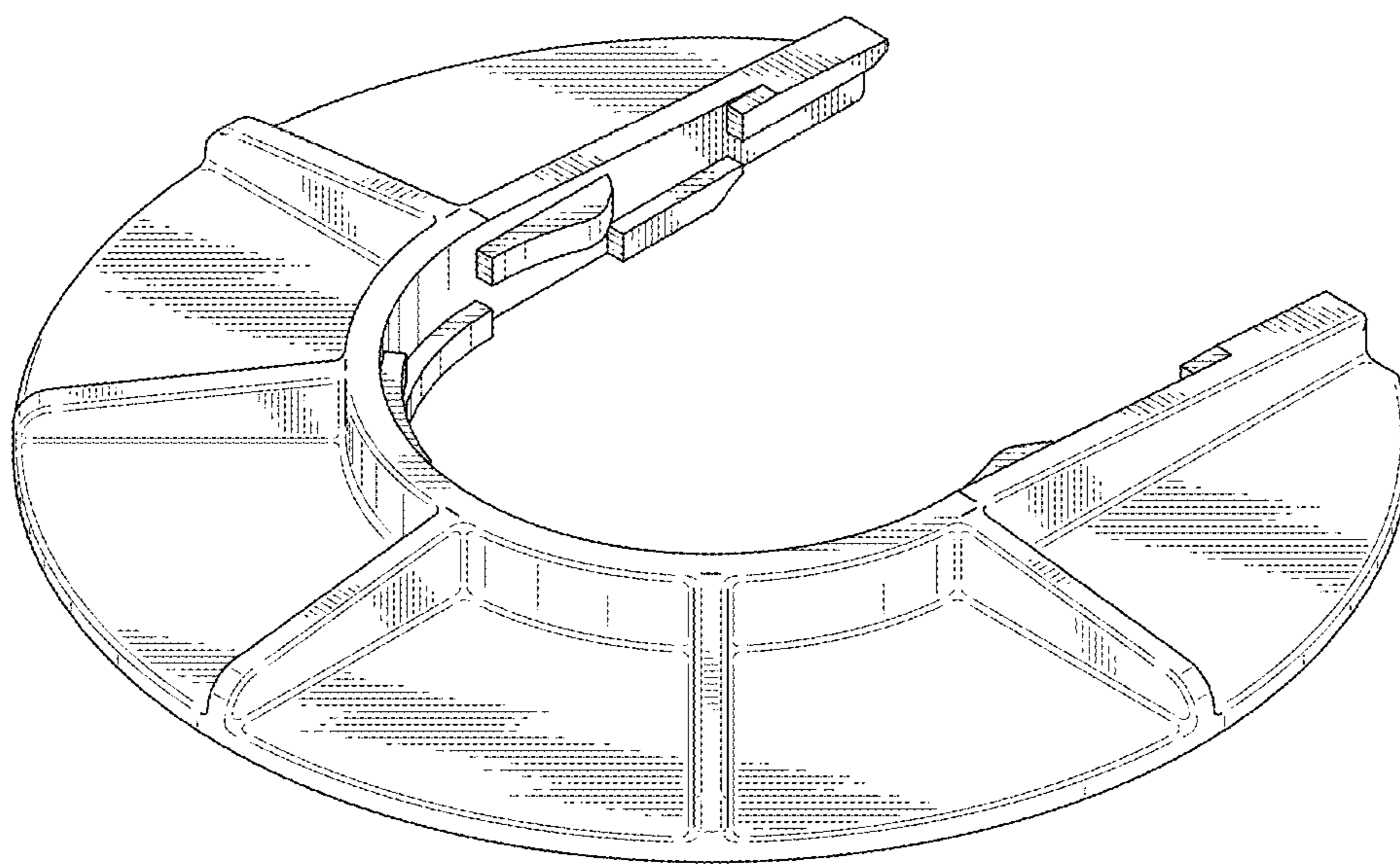


FIG.9

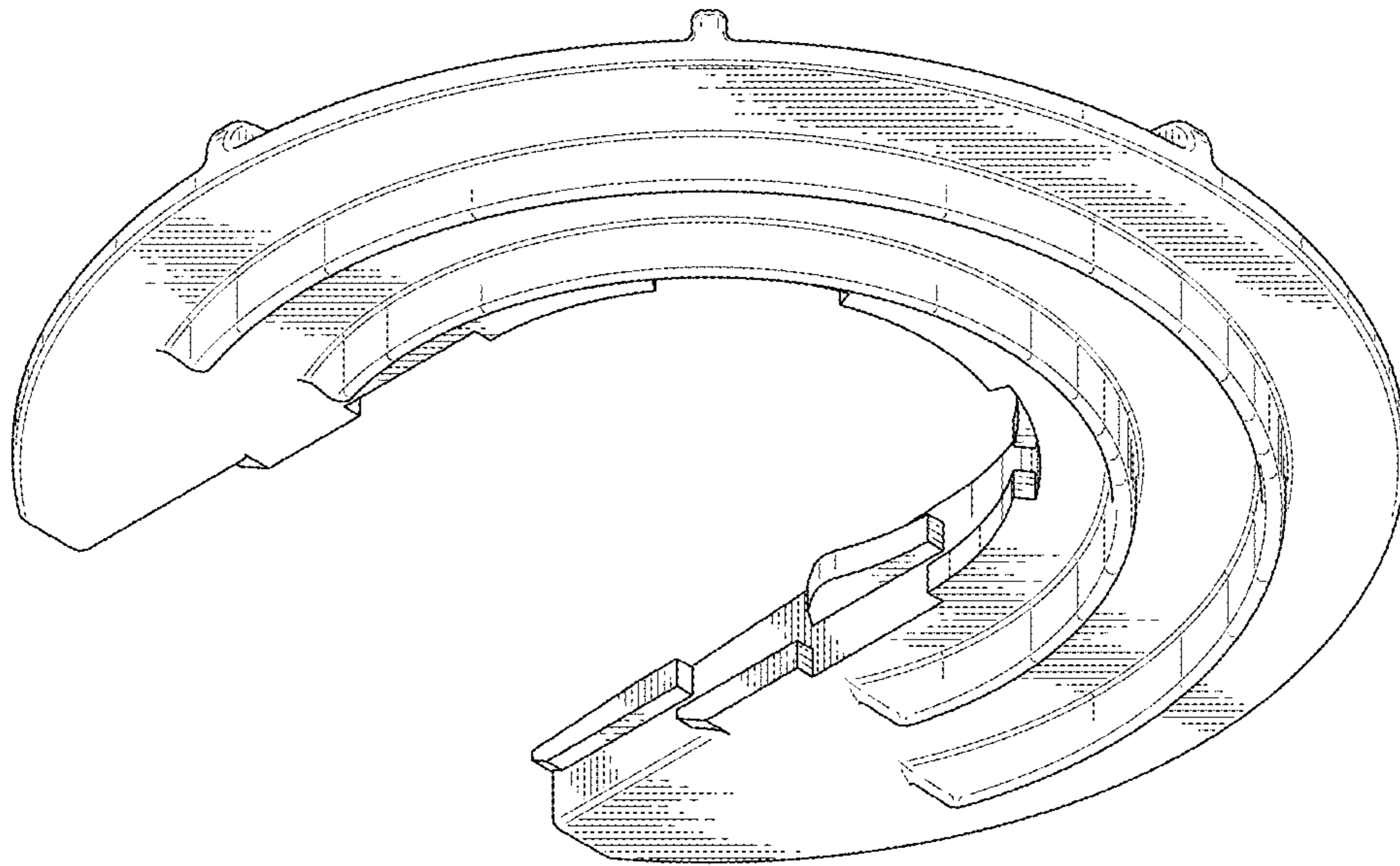


FIG.10

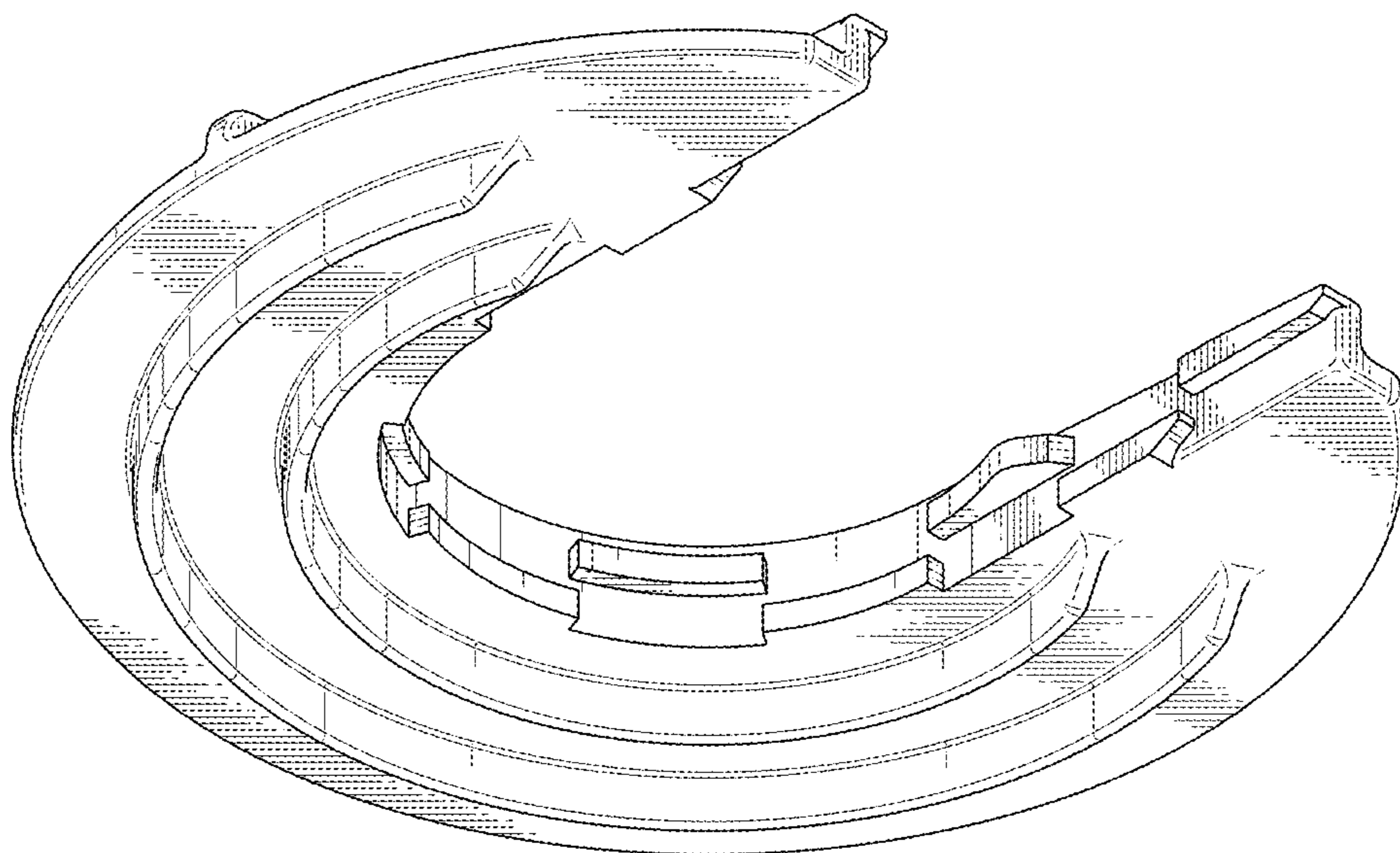


FIG.11

