



US00D812730S

(12) **United States Design Patent**
Garrels et al.

(10) **Patent No.:** **US D812,730 S**
(45) **Date of Patent:** **** Mar. 13, 2018**

(54) **TOILET**

D693,910 S 11/2013 Bates et al.
D702,331 S * 4/2014 Garland D23/295
D703,796 S * 4/2014 McKeone D23/300

(71) Applicant: **Kohler Co.**, Kohler, WI (US)

(72) Inventors: **Clayton Garrels**, Kohler, WI (US);
Adam Moller, Sheboygan, WI (US)

(73) Assignee: **KOHLER CO.**, Kohler, WI (US)

(**) Term: **15 Years**

(21) Appl. No.: **29/592,372**

(22) Filed: **Jan. 30, 2017**

(51) **LOC (11) Cl.** **23-02**

(52) **U.S. Cl.**
USPC **D23/309**

(58) **Field of Classification Search**
USPC D23/295-303, 307, 309, 310, 313
CPC E03D 11/08; E03D 11/18; E03D 5/10;
E03D 13/00; A47K 11/00; A47K 13/00;
Y10S 4/05

See application file for complete search history.

(56) **References Cited**

U.S. PATENT DOCUMENTS

D354,341 S * 1/1995 Kohler, Jr. D23/300
D483,448 S * 12/2003 Ruxchaivan D23/295
D520,613 S 5/2006 Soulier
D536,428 S 2/2007 Kohler et al.
D621,487 S * 8/2010 Toyohara D23/300
D641,456 S * 7/2011 Bickerstaffe D23/295
D658,278 S * 4/2012 Wang D23/295

OTHER PUBLICATIONS

Kohler's 2016 Price Book "Fixtures" pp. 314-347.

* cited by examiner

Primary Examiner — Robert M. Spear

Assistant Examiner — John A Voytek

(74) *Attorney, Agent, or Firm* — Foley & Lardner LLP

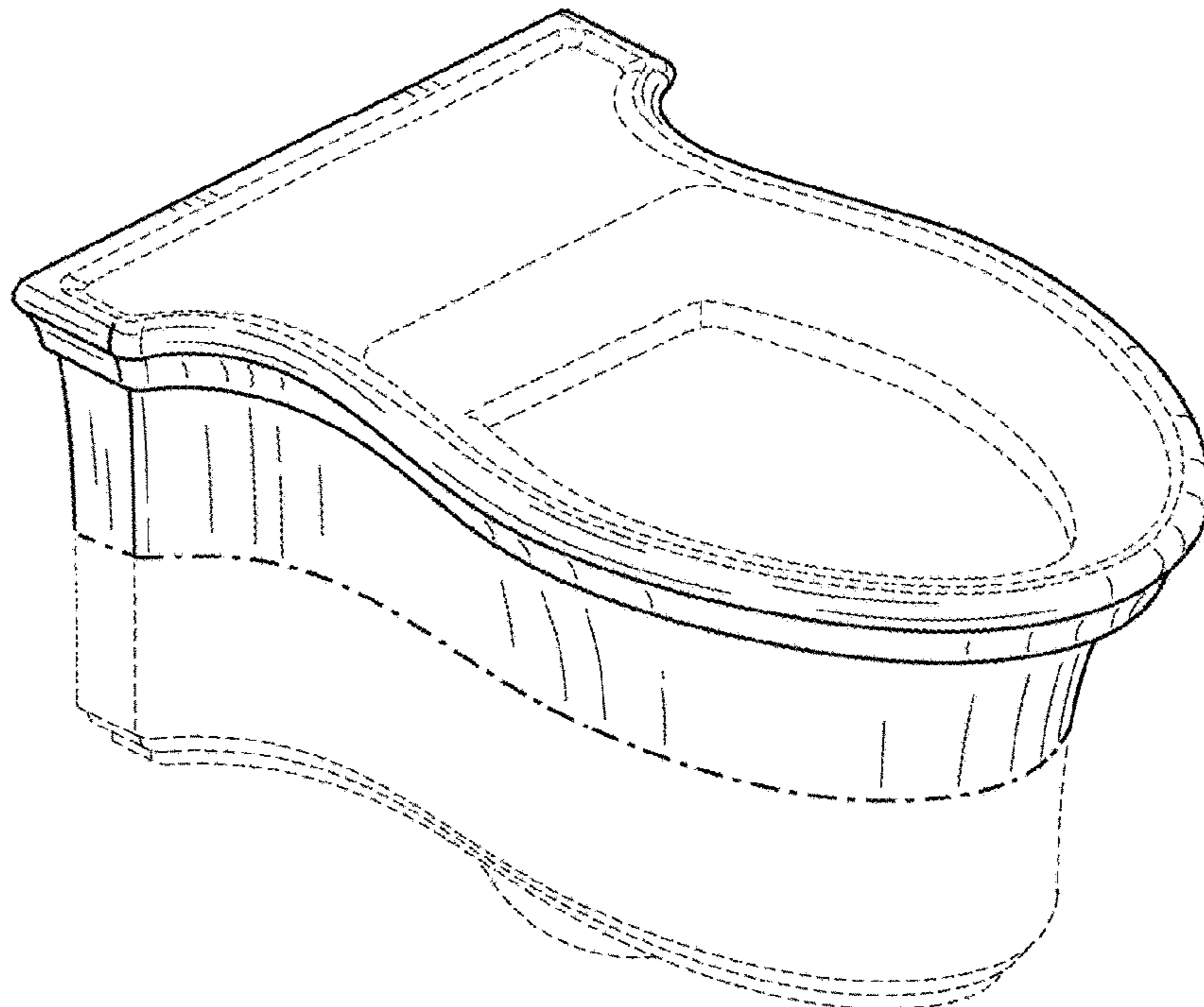
(57) **CLAIM**

We claim the ornamental design for a toilet, as shown and described.

DESCRIPTION

FIG. 1 is a perspective view of an embodiment of the claimed design;
FIG. 2 is a front view of the design shown in FIG. 1;
FIG. 3 is a top view of the design shown in FIG. 1;
FIG. 4 is a side view of the design shown in FIG. 1; and,
FIG. 5 is another side view of the design shown in FIG. 1.
The ornamental design which is claimed is shown in solid lines in the drawings. In the drawings, the broken lines depict environmental subject matter only and form no part of the claimed design. The dash/dot/dashed lines indicate a boundary between claimed and unclaimed portions of the design.

1 Claim, 3 Drawing Sheets



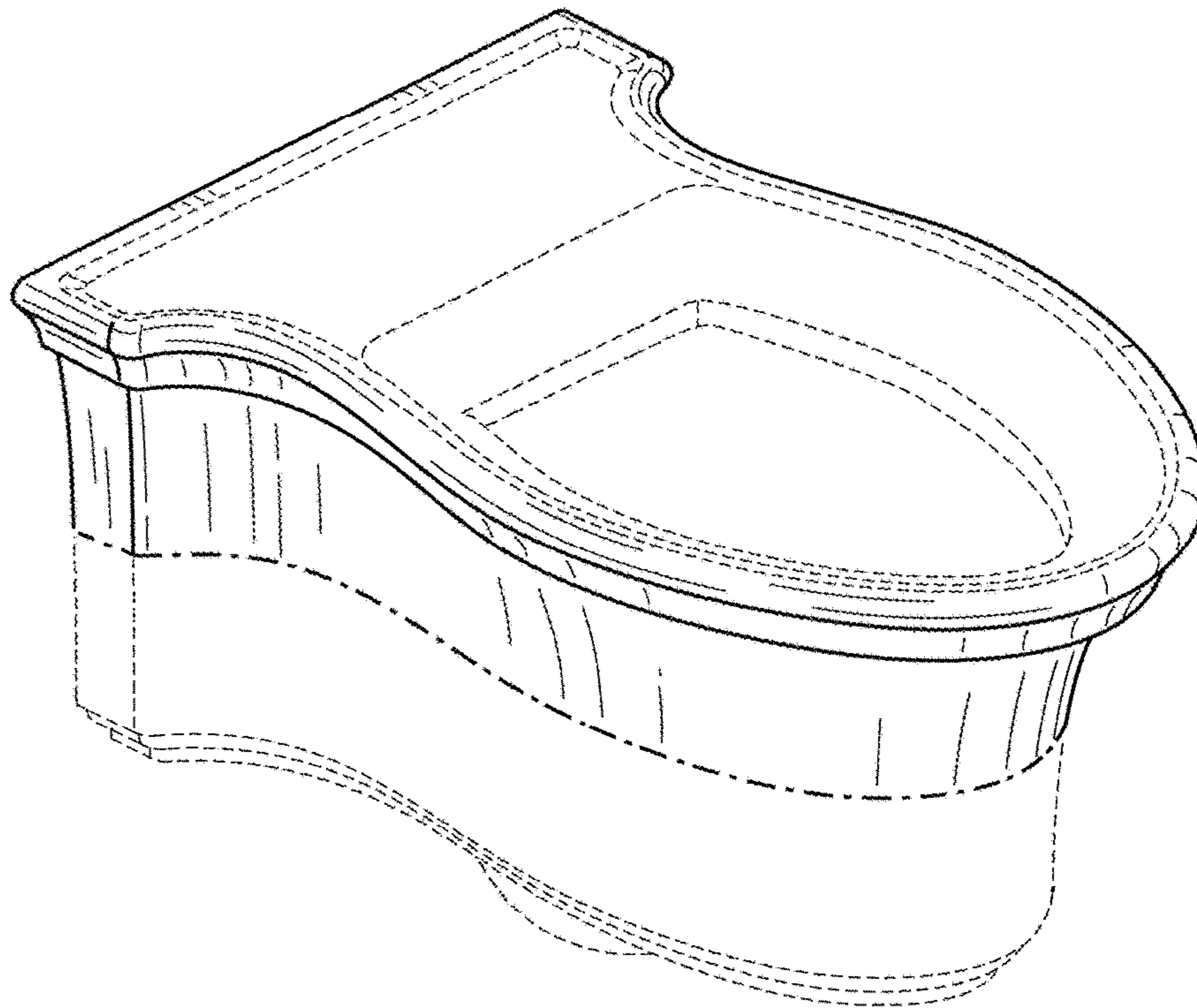


FIG. 1

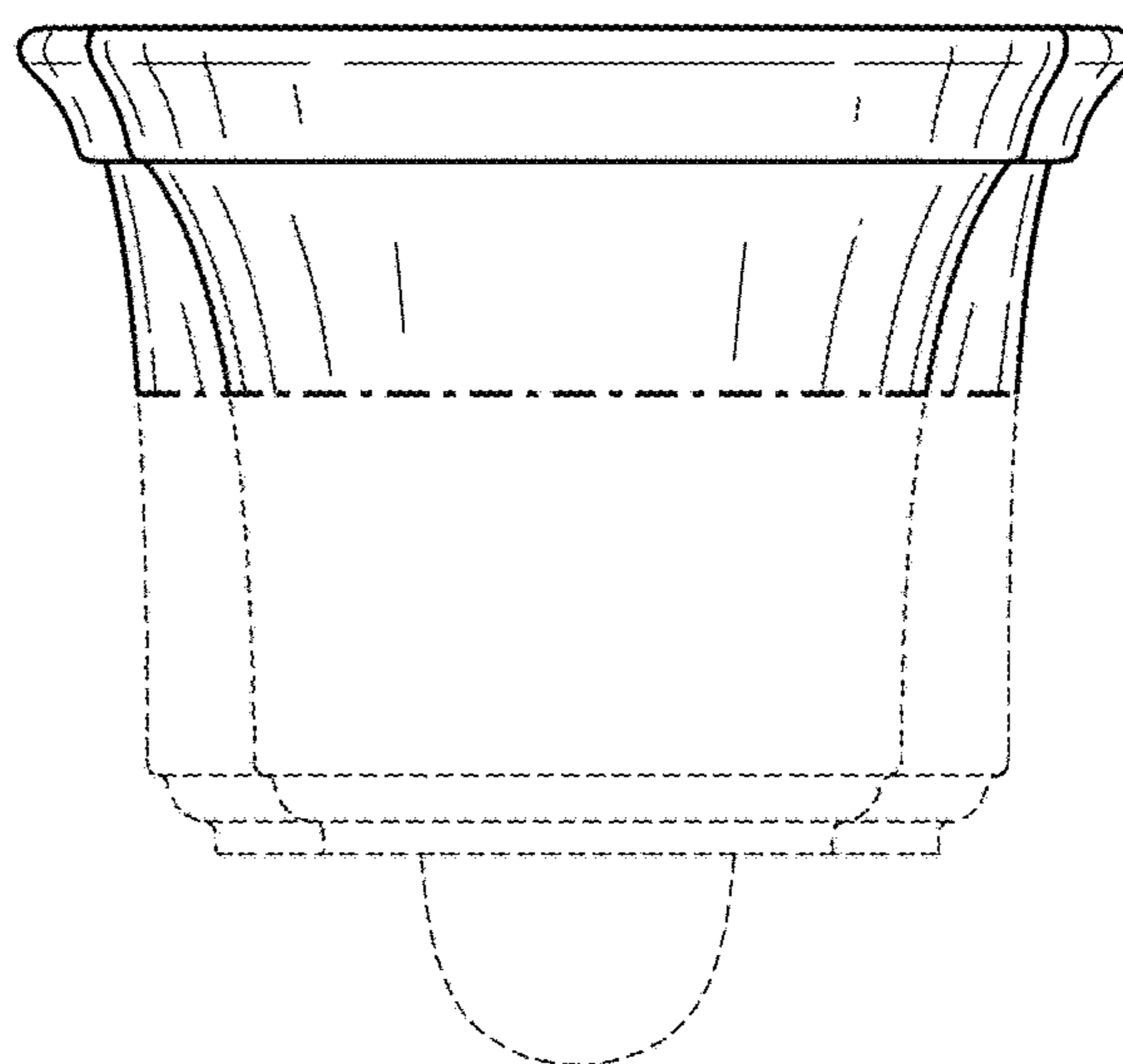


FIG. 2

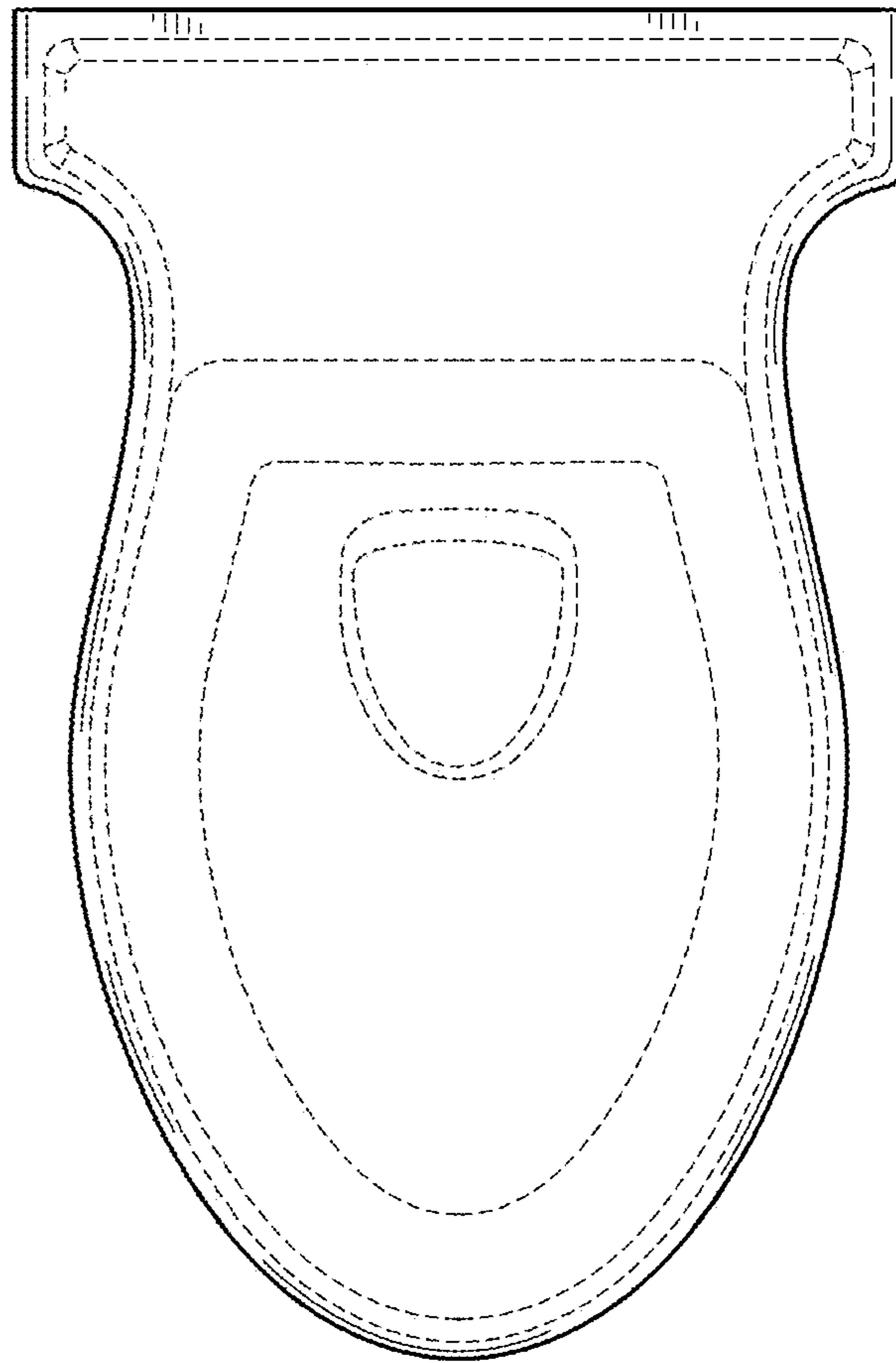


FIG. 3

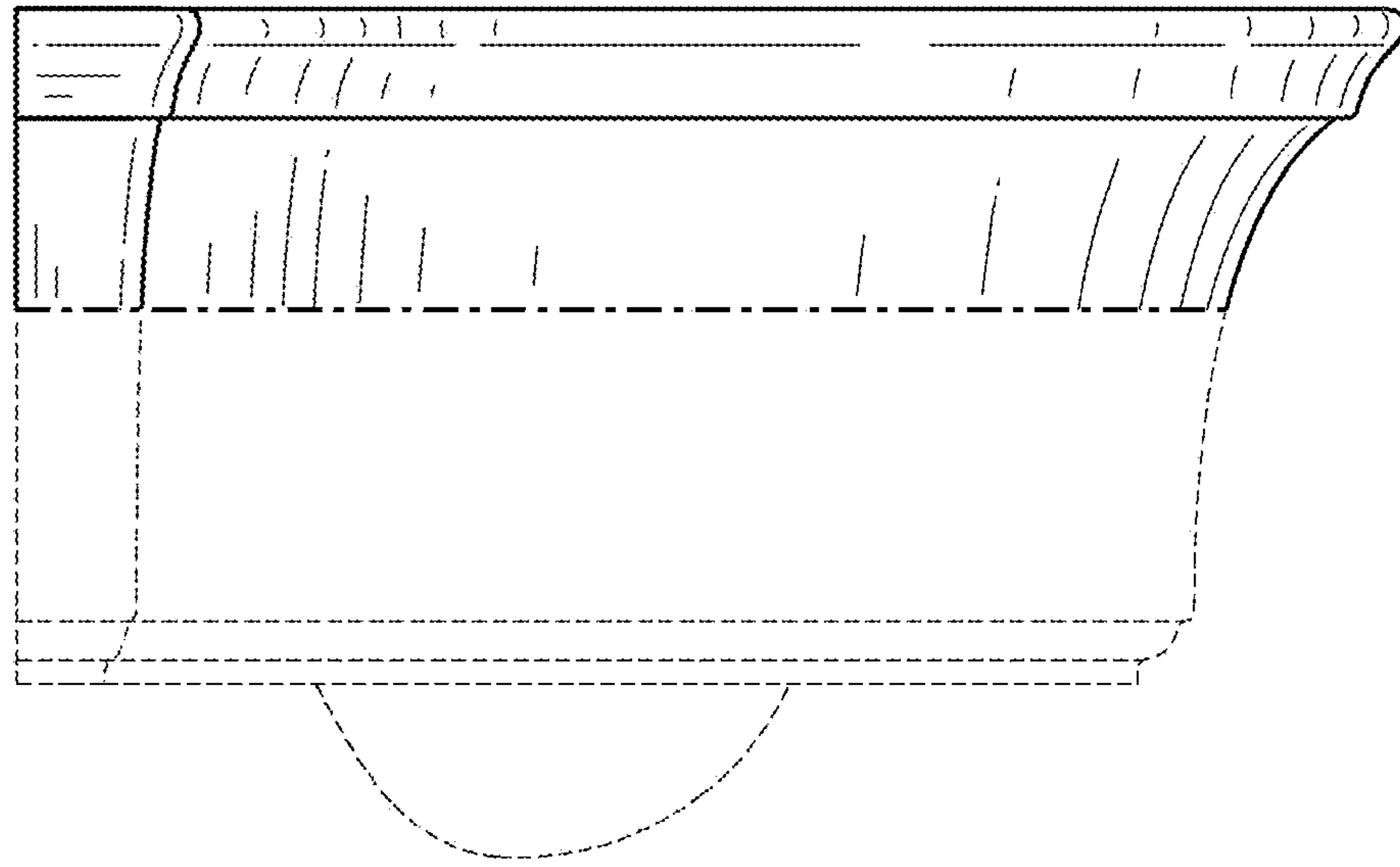


FIG. 4

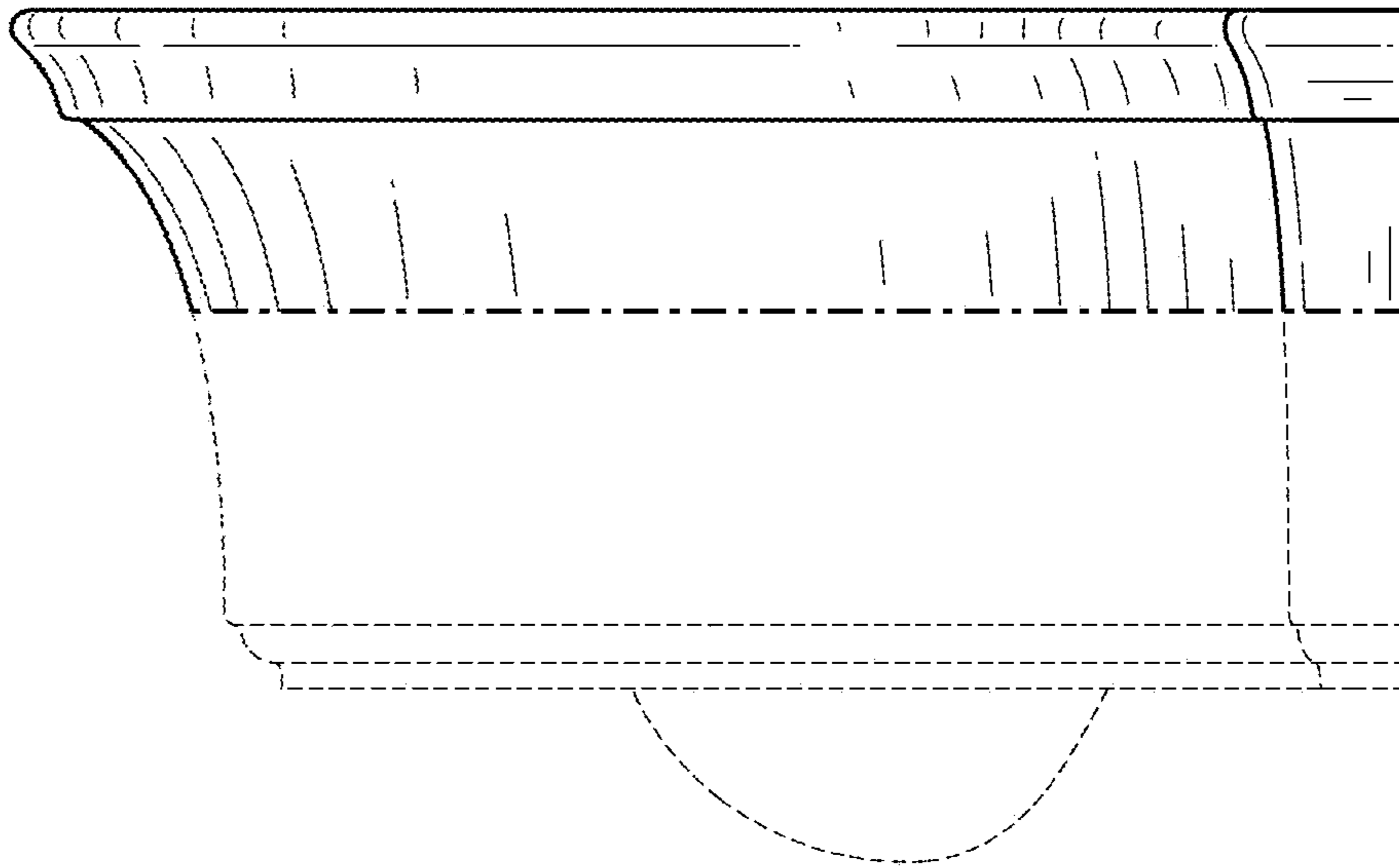


FIG. 5