



US00D812724S

(12) **United States Design Patent**  
**Adey et al.**

(10) **Patent No.:** **US D812,724 S**  
(45) **Date of Patent:** **\*\* Mar. 13, 2018**

(54) **RELEASE TOOL**

13/5016; B25B 27/0042; B21D 39/046;  
F16L 29/007; B04C 5/14; B04C 4/185

See application file for complete search history.

(71) Applicant: **Adey Holdings (2008) Limited**,  
Cheltenham (GB)

(56) **References Cited**

(72) Inventors: **Christopher Adey**, Cheltenham (GB);  
**Matthew Taylor**, Cheltenham (GB);  
**Simon Downie**, Cheltenham (GB)

U.S. PATENT DOCUMENTS

(73) Assignee: **ADEY HOLDINGS (2008) LIMITED**,  
Cheltenham (GB)

3,339,740 A 9/1967 Starzyk  
3,696,927 A 10/1972 Jakobsson et al.  
4,544,483 A 10/1985 Arvai  
4,881,573 A 11/1989 Durant et al.  
5,201,552 A 4/1993 Hohmann et al.  
5,257,525 A 11/1993 Clarke  
5,392,672 A \* 2/1995 Larson ..... B25B 13/461  
81/58.4

(\*\*) Term: **15 Years**

D420,099 S \* 2/2000 Lewis ..... D23/233  
(Continued)

(21) Appl. No.: **29/560,419**

FOREIGN PATENT DOCUMENTS

(22) Filed: **Apr. 6, 2016**

BE 546074 A 10/1959  
DE 4310795 C1 7/1994

**Related U.S. Application Data**

(Continued)

(63) Continuation of application No. 14/439,059, filed on  
Apr. 28, 2015.

*Primary Examiner* — Eric L Goodman  
*Assistant Examiner* — Amy C Wierenga

(30) **Foreign Application Priority Data**

(74) *Attorney, Agent, or Firm* — Michael E. Dockins;  
Shumaker, Loop & Kendrick, LLP

May 21, 2013 (GB) ..... PCT/GB2013/051329  
May 21, 2013 (GB) ..... PCT/GB2013/051330  
Oct. 7, 2013 (GB) ..... 1317652.4

(57) **CLAIM**

The ornamental design for a release tool, as shown and  
described.

(51) **LOC (11) Cl.** ..... **23-01**

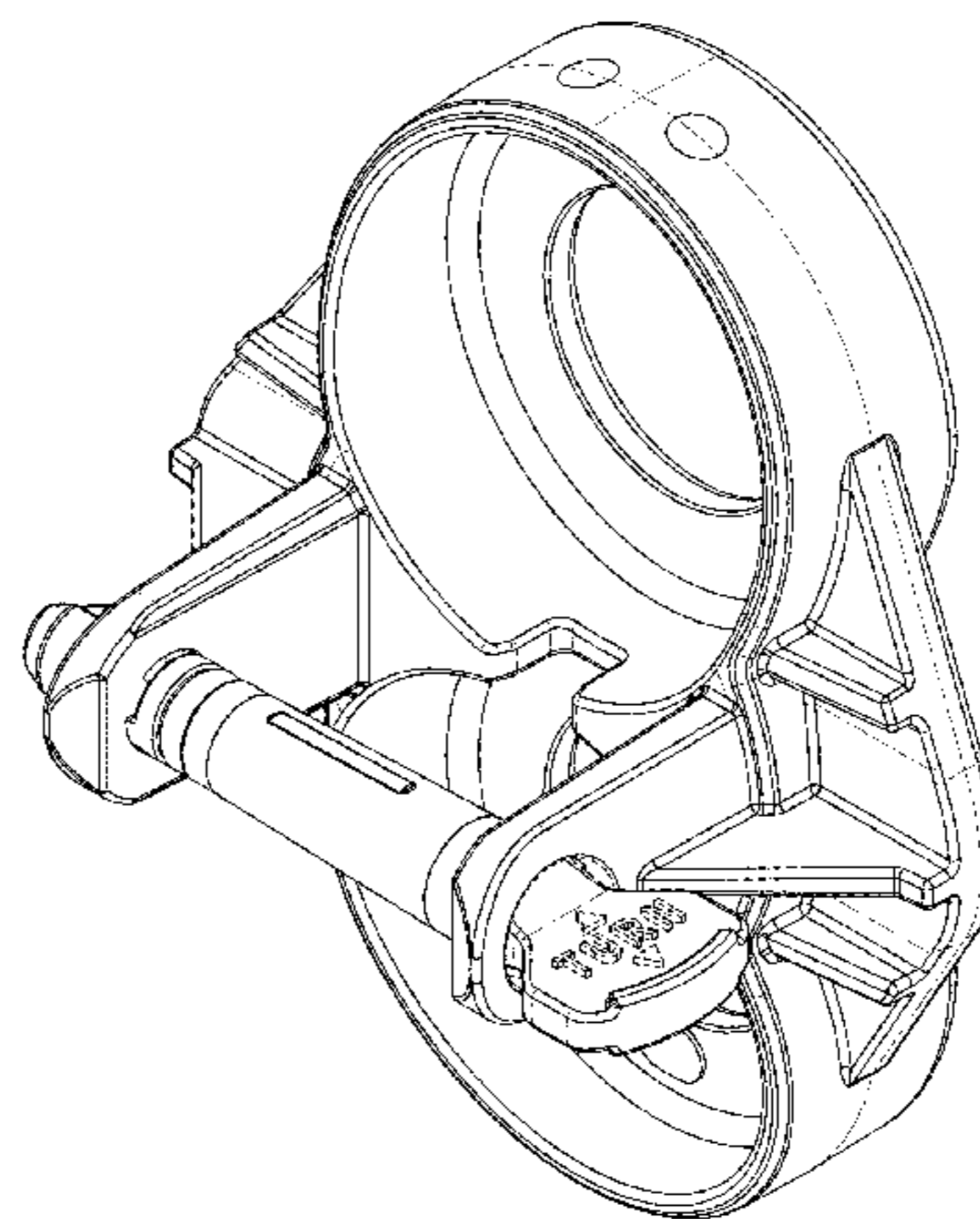
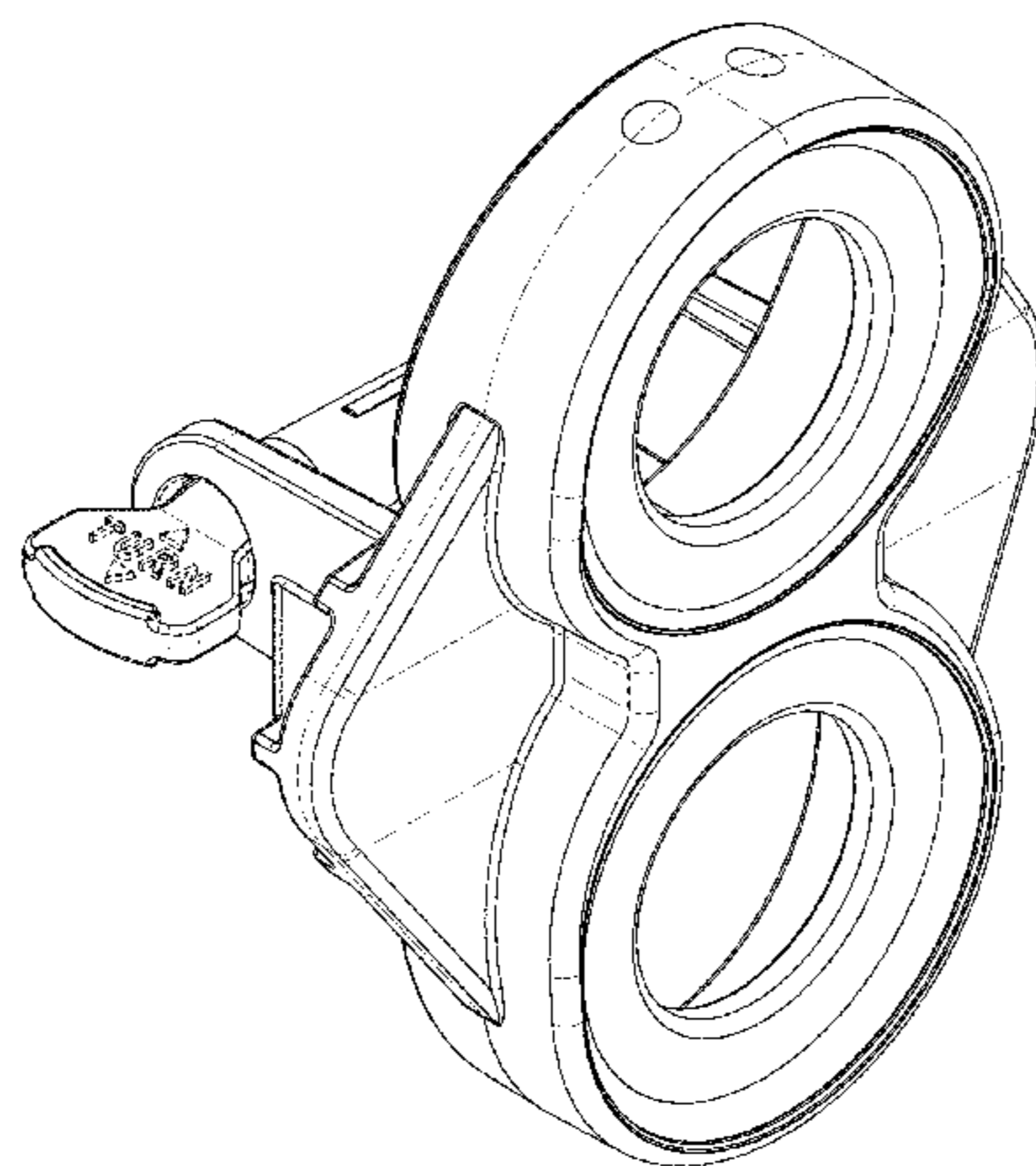
**DESCRIPTION**

(52) **U.S. Cl.**  
USPC ..... **D23/259**

FIG. 1 is a front perspective view of a release tool showing  
our new design;  
FIG. 2 is a front elevational view thereof;  
FIG. 3 is a rear elevational view thereof;  
FIG. 4 is a left-side elevational view thereof;  
FIG. 5 is a right-side elevational view thereof;  
FIG. 6 is a top plan view thereof;  
FIG. 7 is a bottom plan view thereof; and,  
FIG. 8 is a rear perspective view thereof.

(58) **Field of Classification Search**  
USPC ..... D23/206–207, 209, 233, 237, 259, 262,  
D23/265; D8/2, 14, 17, 19, 21, 24, 27,  
D8/382; 210/223, 512.1  
CPC ..... B01D 21/29; B01D 21/26; B25B 13/00;  
B25B 13/463; B25B 13/50; B25B 13/18;  
B25B 13/505; B25B 13/346; B25B

(Continued)



# US D812,724 S

Page 2

The broken lines shown in the drawings depict portions of the release tool that form no part of the claim.

## 1 Claim, 8 Drawing Sheets

2008/0000820 A1 1/2008 Mitchell  
2012/0067802 A1 3/2012 Irvin  
2015/0151220 A1\* 6/2015 Adey ..... B03C 1/286  
210/512.1  
2017/0152977 A1\* 6/2017 Adey ..... F16L 29/007

## FOREIGN PATENT DOCUMENTS

(56)

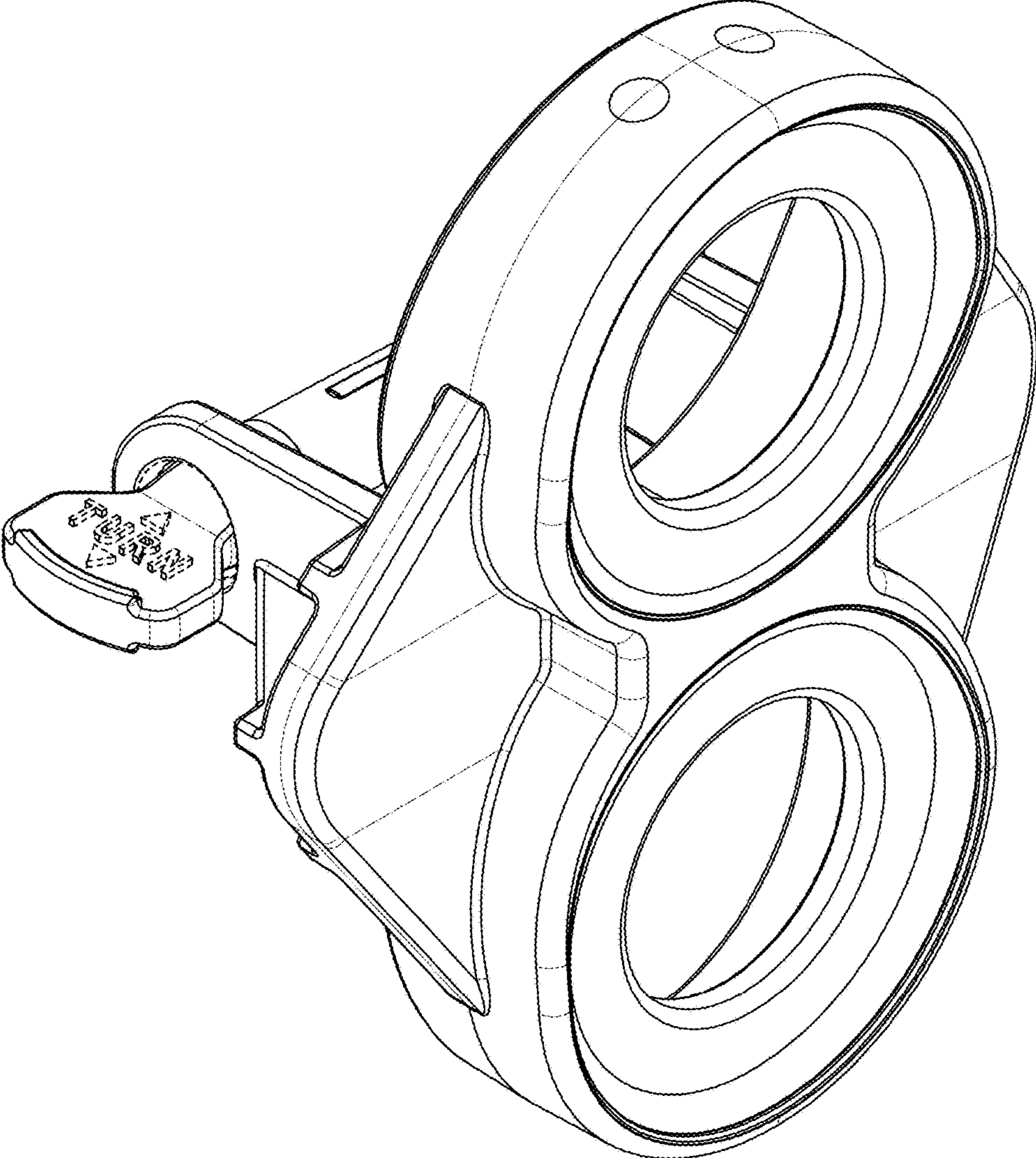
### References Cited

#### U.S. PATENT DOCUMENTS

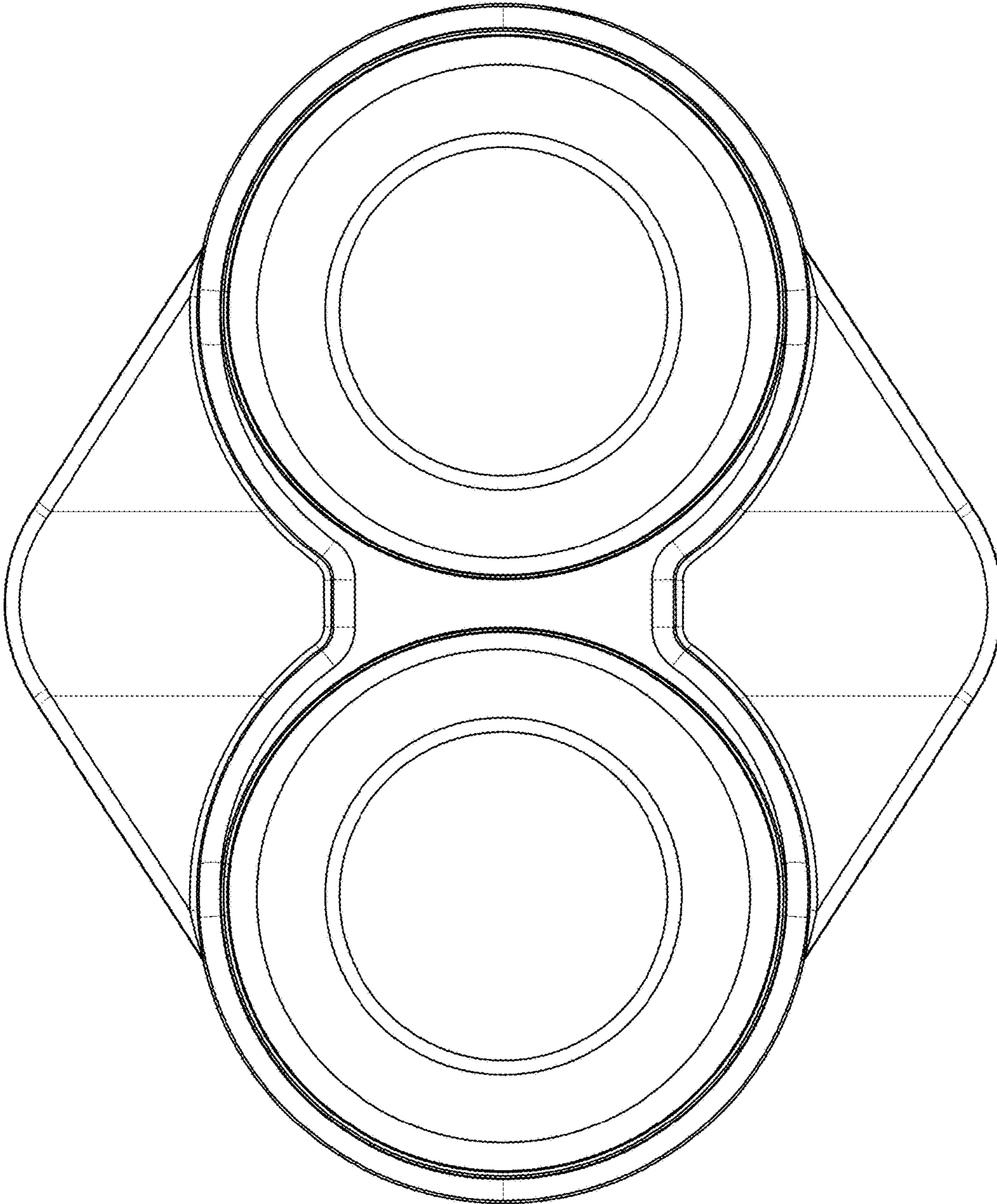
D425,965 S \* 5/2000 Yuen ..... D23/233  
D544,321 S \* 6/2007 Wyss ..... D8/14  
D710,969 S \* 8/2014 Bradford ..... D23/209  
D793,522 S \* 8/2017 Adey ..... D23/209  
D794,165 S \* 8/2017 Adey ..... D23/233  
D795,999 S \* 8/2017 Downie ..... D23/209  
D796,281 S \* 9/2017 Downie ..... D8/21  
2005/0167352 A1 8/2005 Burrows et al.

EP 2453157 A2 5/2012  
FR 2693662 A1 1/1994  
GB 274729 A 7/1927  
GB 737822 A 10/1955  
GB 2349685 A 11/2000  
GB 2469145 A 10/2010  
GB 2491246 A 11/2012  
WO 8402855 A1 8/1984  
WO 9942198 A1 8/1999  
WO 0045937 A1 8/2000  
WO 2012073029 A1 6/2012

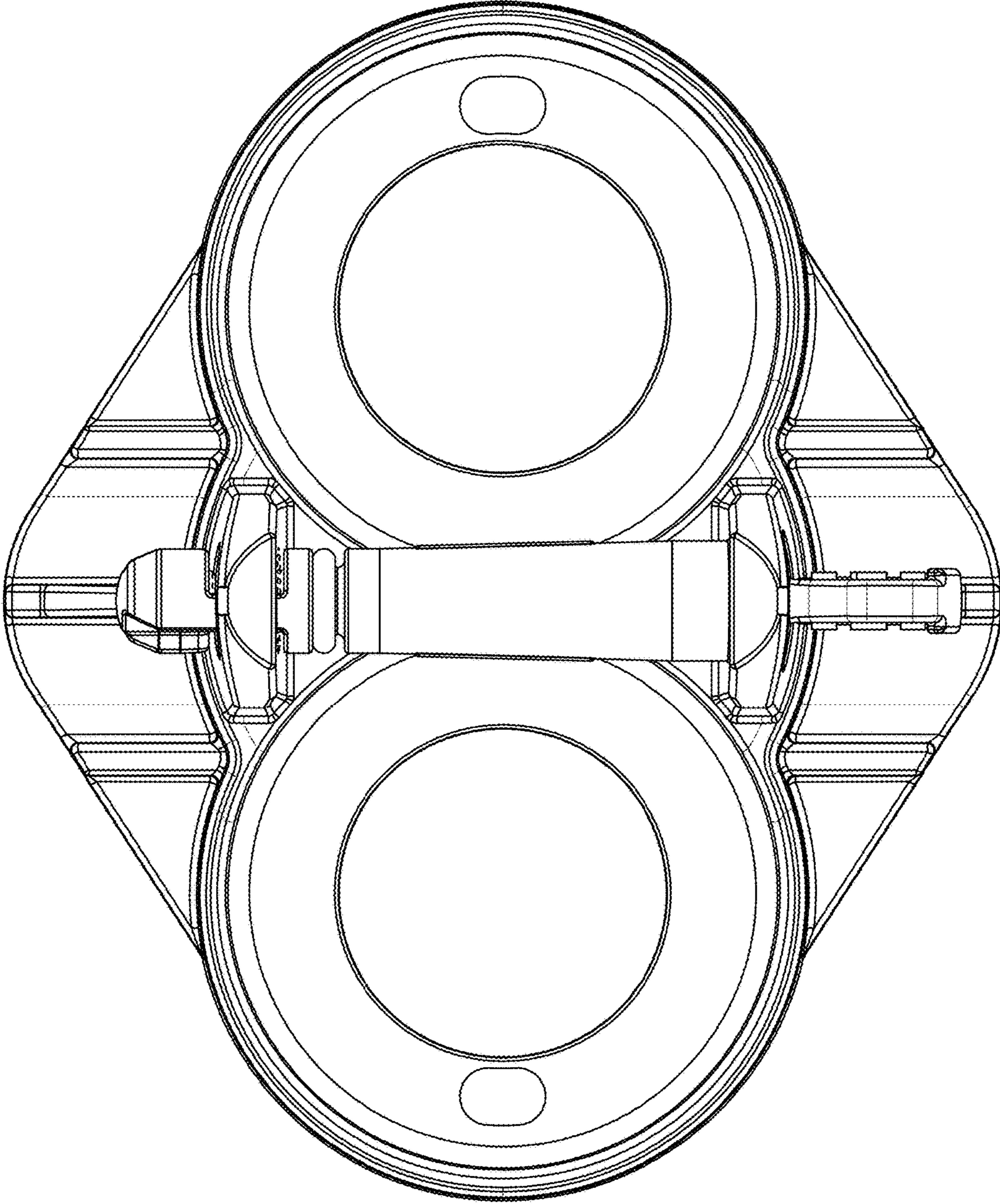
\* cited by examiner



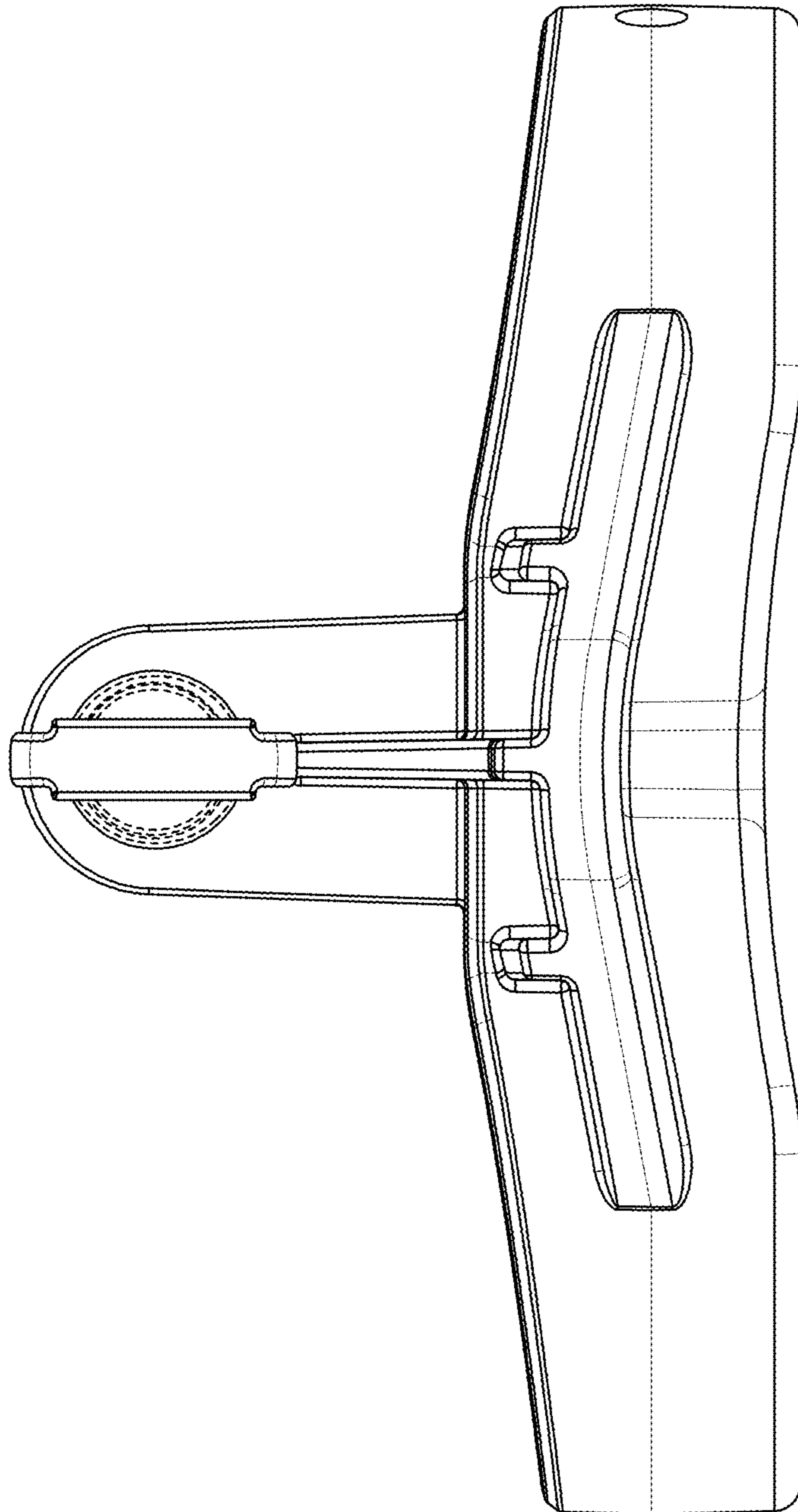
**FIG. 1**



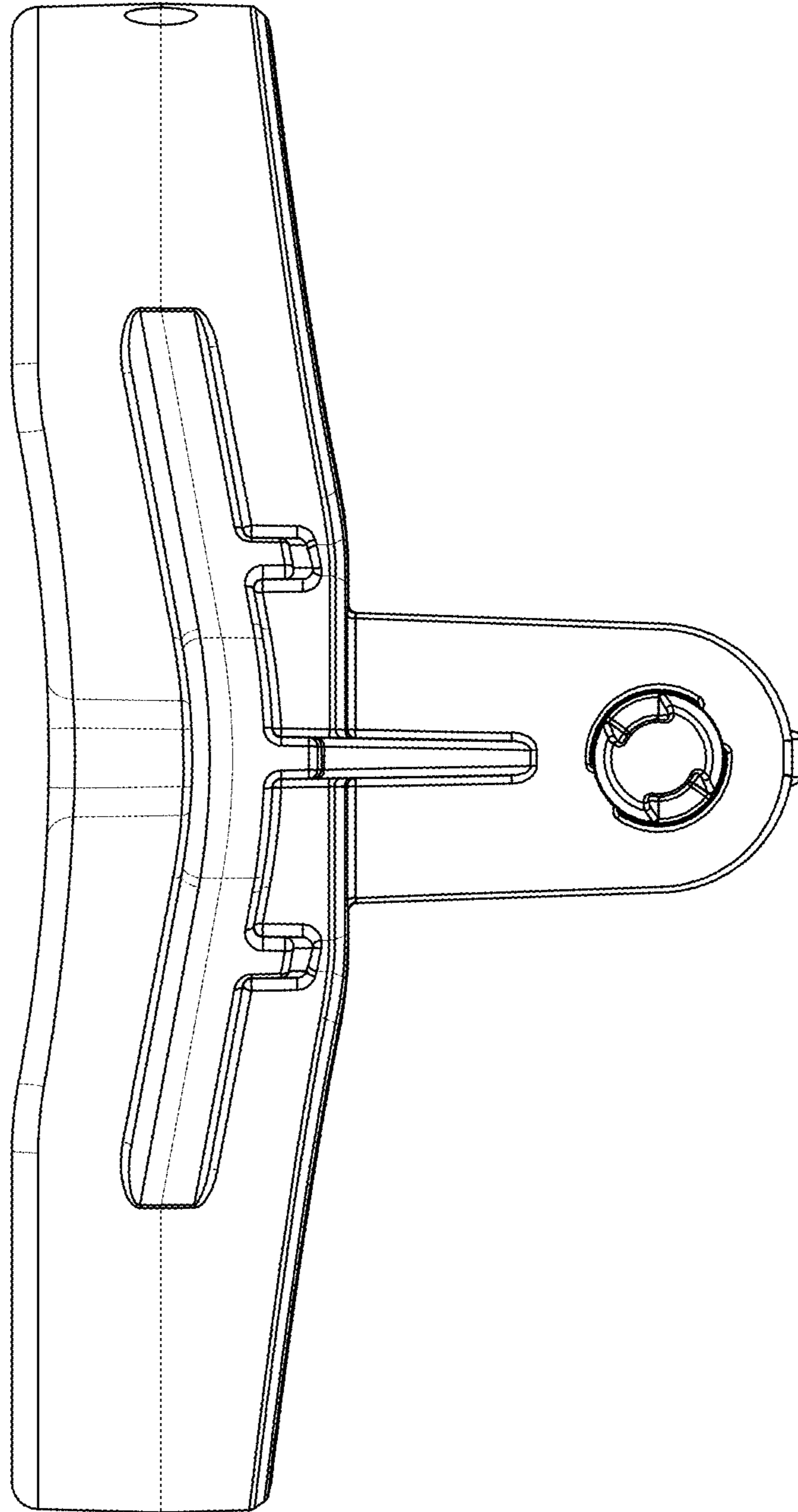
**FIG. 2**



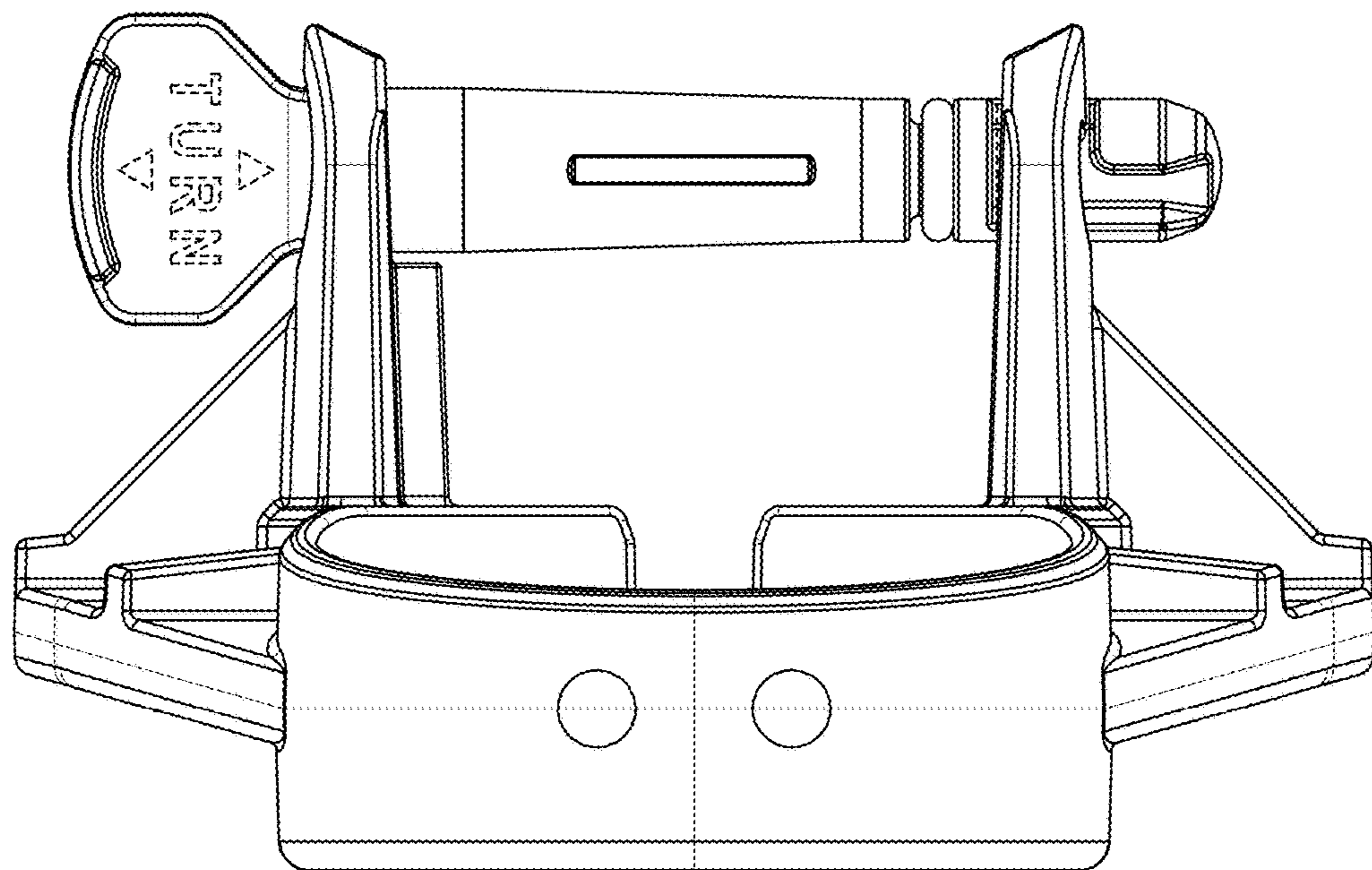
**FIG. 3**



**FIG. 4**



**FIG. 5**



**FIG. 6**



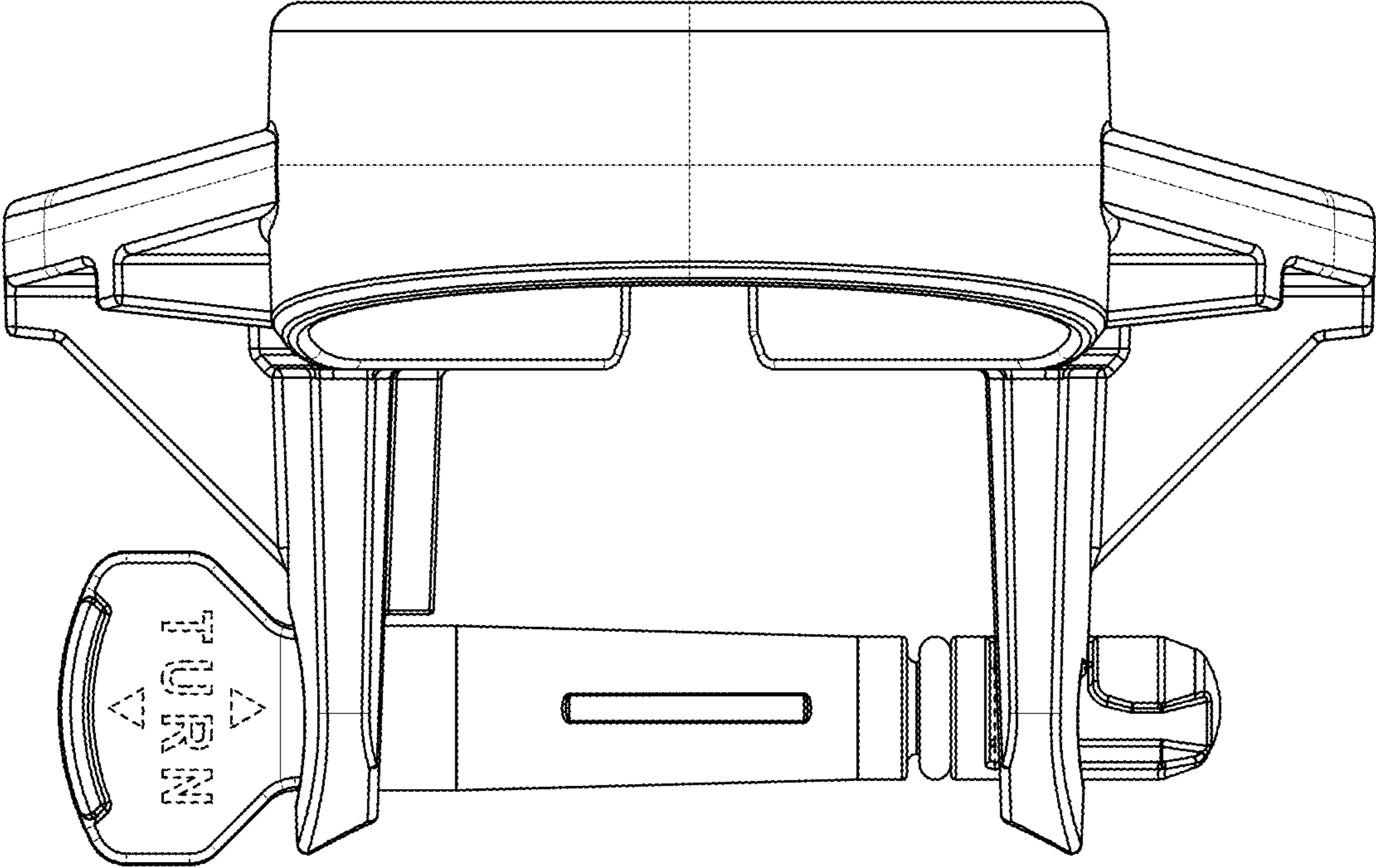
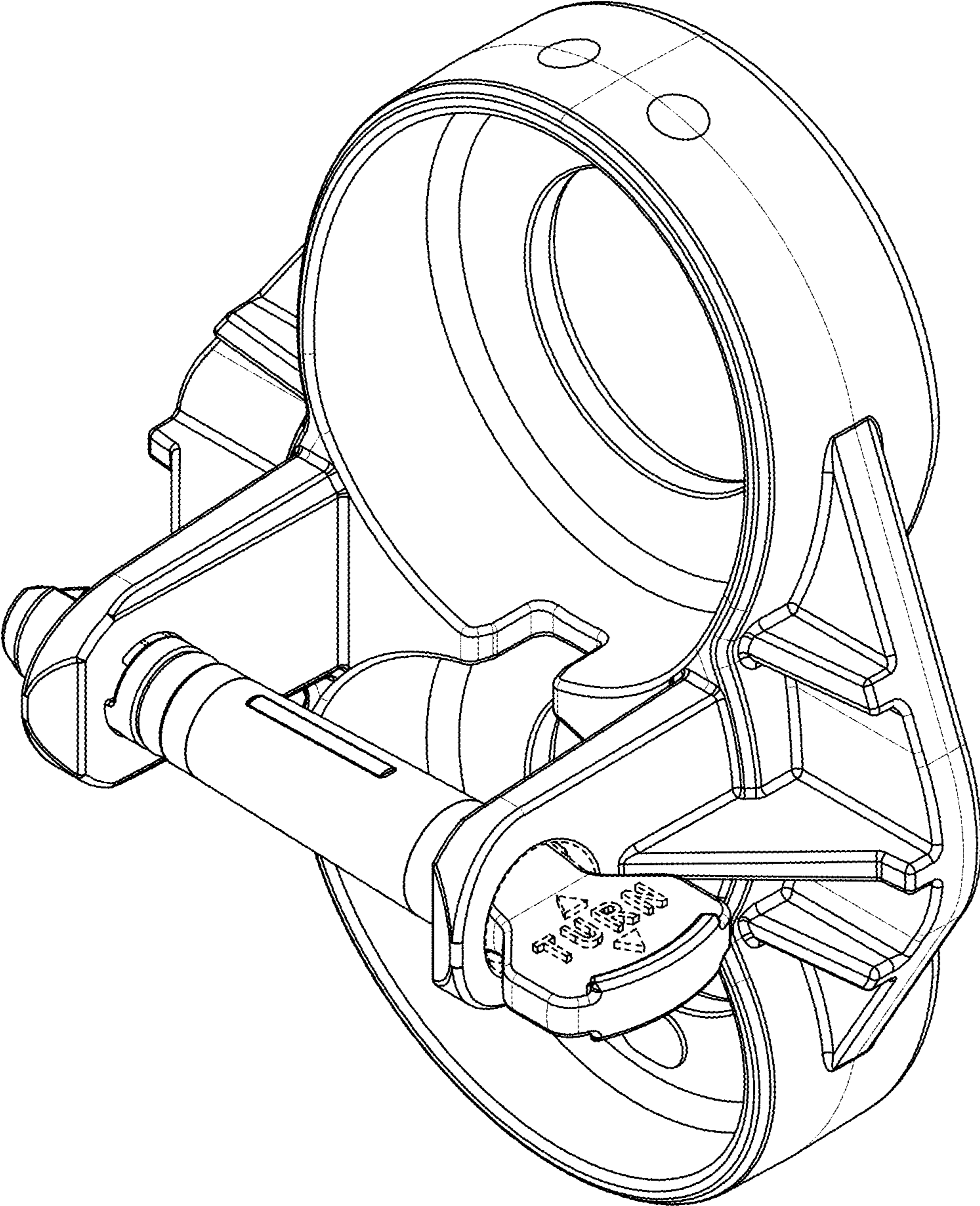


FIG. 7



**FIG. 8**