



US00D812721S

(12) **United States Design Patent**
Antoine

(10) **Patent No.:** **US D812,721 S**
(45) **Date of Patent:** **** Mar. 13, 2018**

(54) **GAS TAPS**
(71) Applicant: **LUXEMBOURG PATENT COMPANY S.A.**, Lintgen (LU)
(72) Inventor: **Michel Antoine**, Lintgen (LU)
(73) Assignee: **LUXEMBOURG PATENT COMPANY S.A.**, Lintgen (LU)
(**) Term: **15 Years**

(21) Appl. No.: **35/501,097**
(22) Filed: **May 31, 2016**

(80) **Hague Agreement Data**
Int. Filing Date: **May 31, 2016**
Int. Reg. No.: **DM/090906**
Int. Reg. Date: **May 31, 2016**
Int. Reg. Pub. Date: **Jun. 17, 2016**

(51) **LOC (11) Cl.** **23-01**
(52) **U.S. Cl.**
USPC **D23/246**

(58) **Field of Classification Search**
USPC D23/223, 233, 235, 238-246, 263-264
CPC .. F23N 1/007; F23N 2035/16; F23N 2035/24;
F23N 2035/18; F23N 5/107; F23N 2035/12; F23N 2900/05005; F23N 5/247;
F23K 2900/05001; F23K 5/007; F23K 2401/20; F23K 2401/201; F24C 3/12;
F24C 3/124; F24C 1/02; F24C 3/126;
F24C 3/103; F24C 3/14
See application file for complete search history.

(56) **References Cited**
U.S. PATENT DOCUMENTS
1,344,704 A * 6/1920 Martin F16K 35/025
251/110
2,936,784 A * 5/1960 Putz F16K 1/00
137/630.22

3,971,904 A * 7/1976 Ward F24C 3/103
200/303
4,137,945 A * 2/1979 Cutts F16K 5/10
137/625.46
5,947,444 A * 9/1999 Kerger F16K 1/303
251/215
6,102,367 A * 8/2000 Schmitz F16K 1/303
137/68.11
8,449,289 B2 * 5/2013 Albizuri F16K 5/0214
126/25 R
8,550,428 B2 * 10/2013 Eचनाusia Saez de
Zaitegui F23N 1/005
137/66
9,193,577 B2 * 11/2015 McIntyre B67D 1/04
D758,540 S * 6/2016 Shishido D23/233
D760,871 S * 7/2016 Boyer D23/233
9,593,855 B2 * 3/2017 Moro F23N 5/107

* cited by examiner

Primary Examiner — Michael A Pratt
(74) *Attorney, Agent, or Firm* — Greenblum & Bernstein, P.L.C.

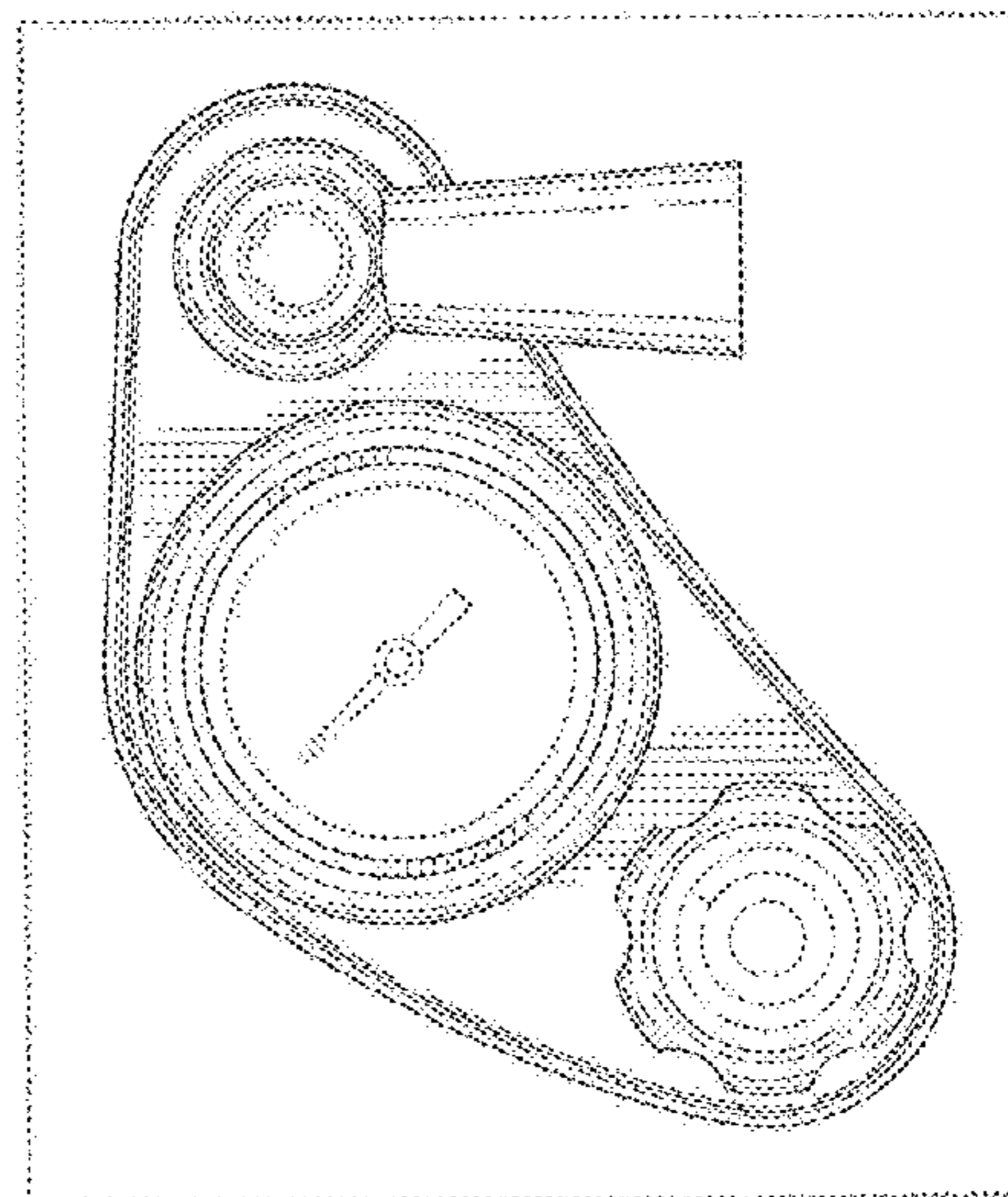
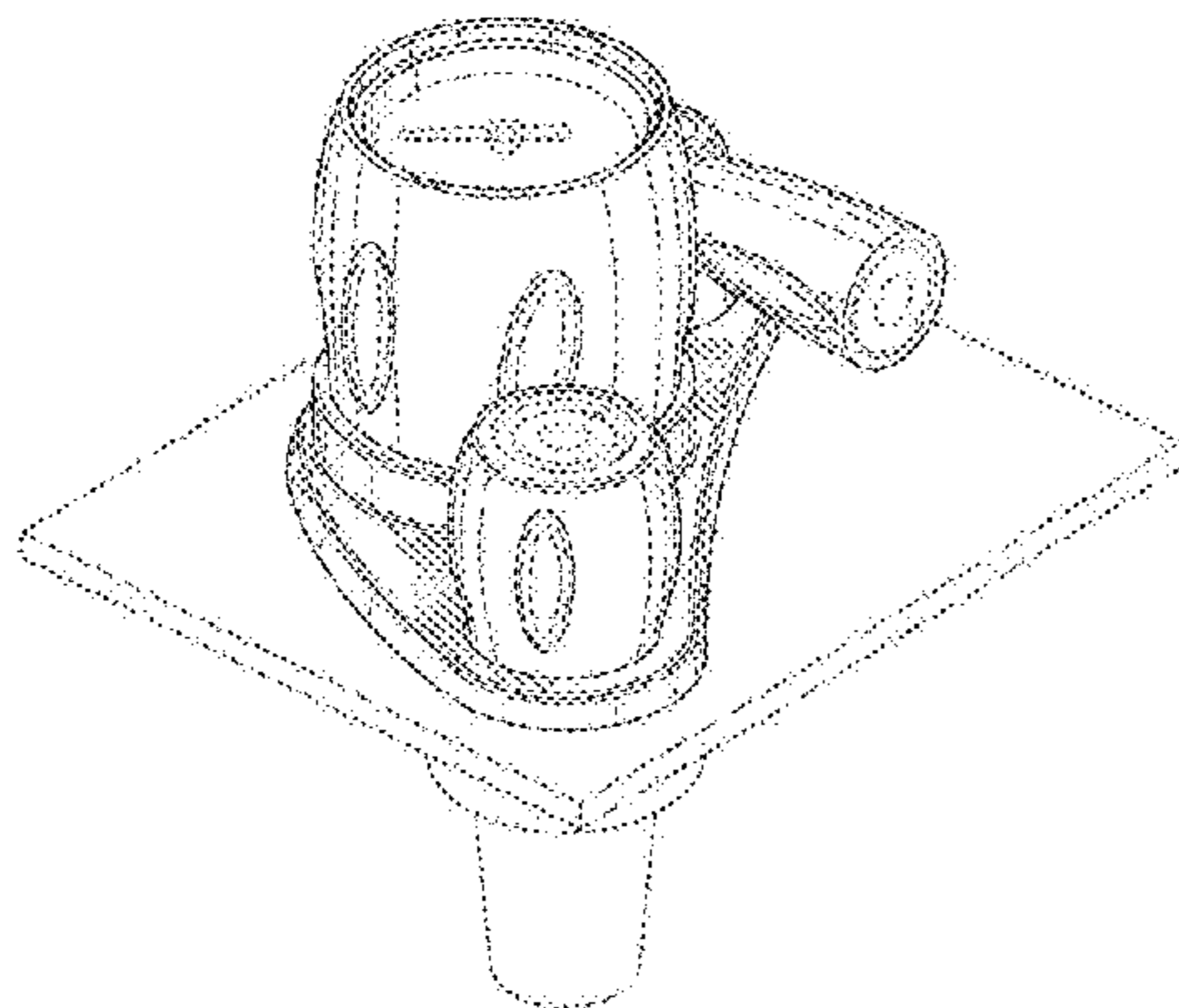
(57) **CLAIM**

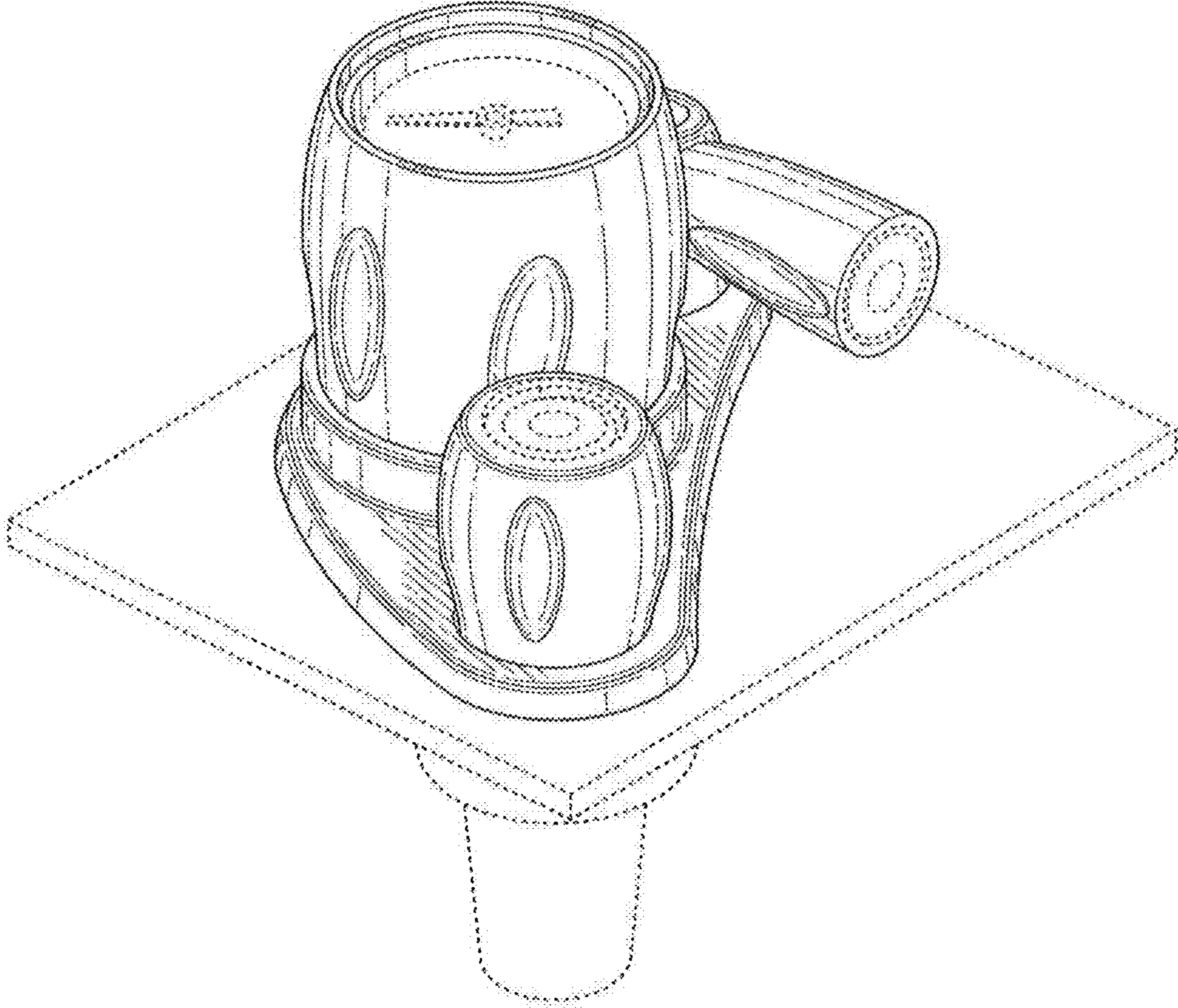
I claim the ornamental design for gas taps, as shown and described.

DESCRIPTION

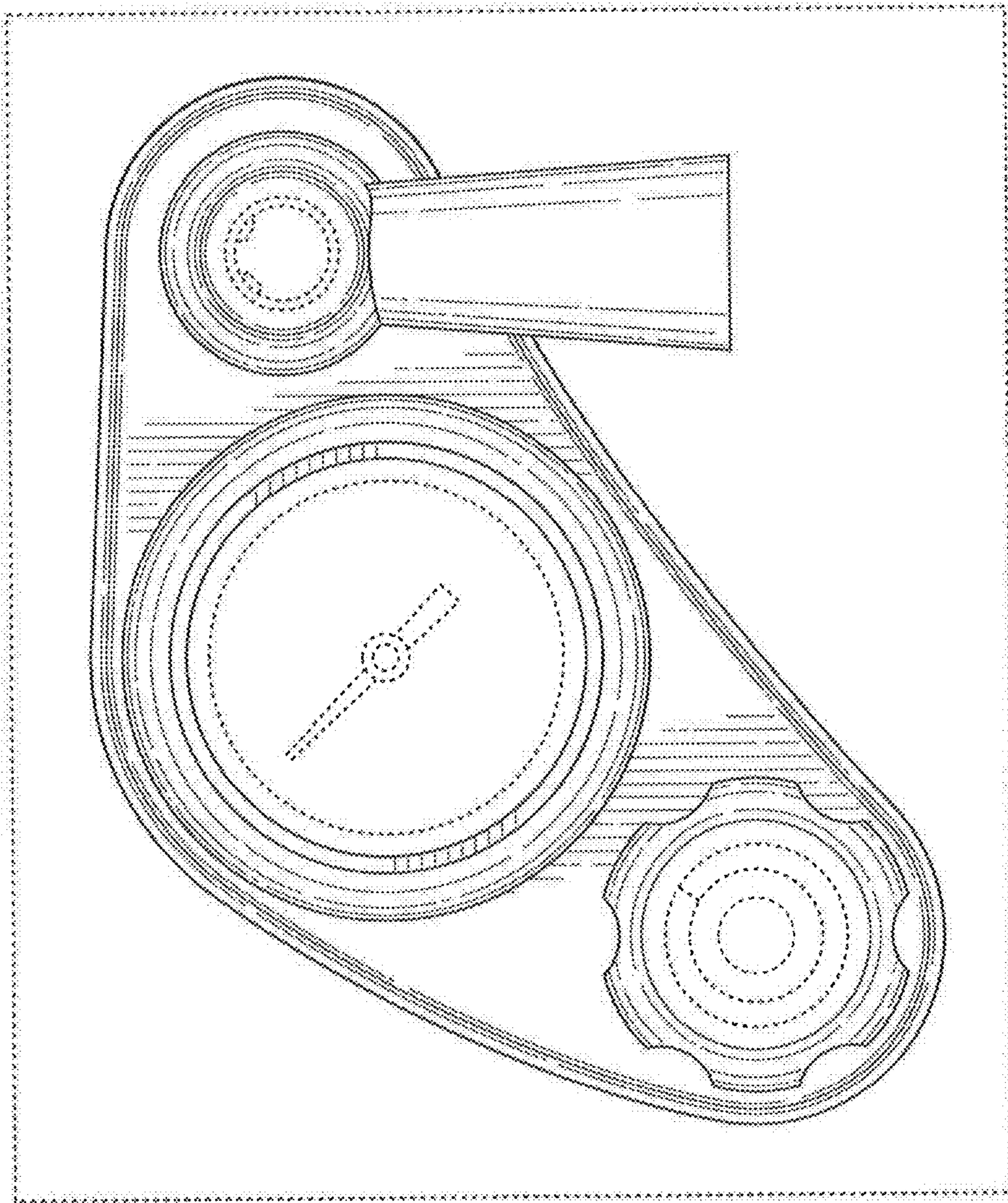
- 1. Gas taps
- 1.1 shows a top, side perspective view;
- 1.2 shows a top side view of 1.1;
- 1.3 shows a side view of 1.1; and
- 1.4 shows a bottom, side perspective view of 1.1.

1 Claim, 4 Drawing Sheets

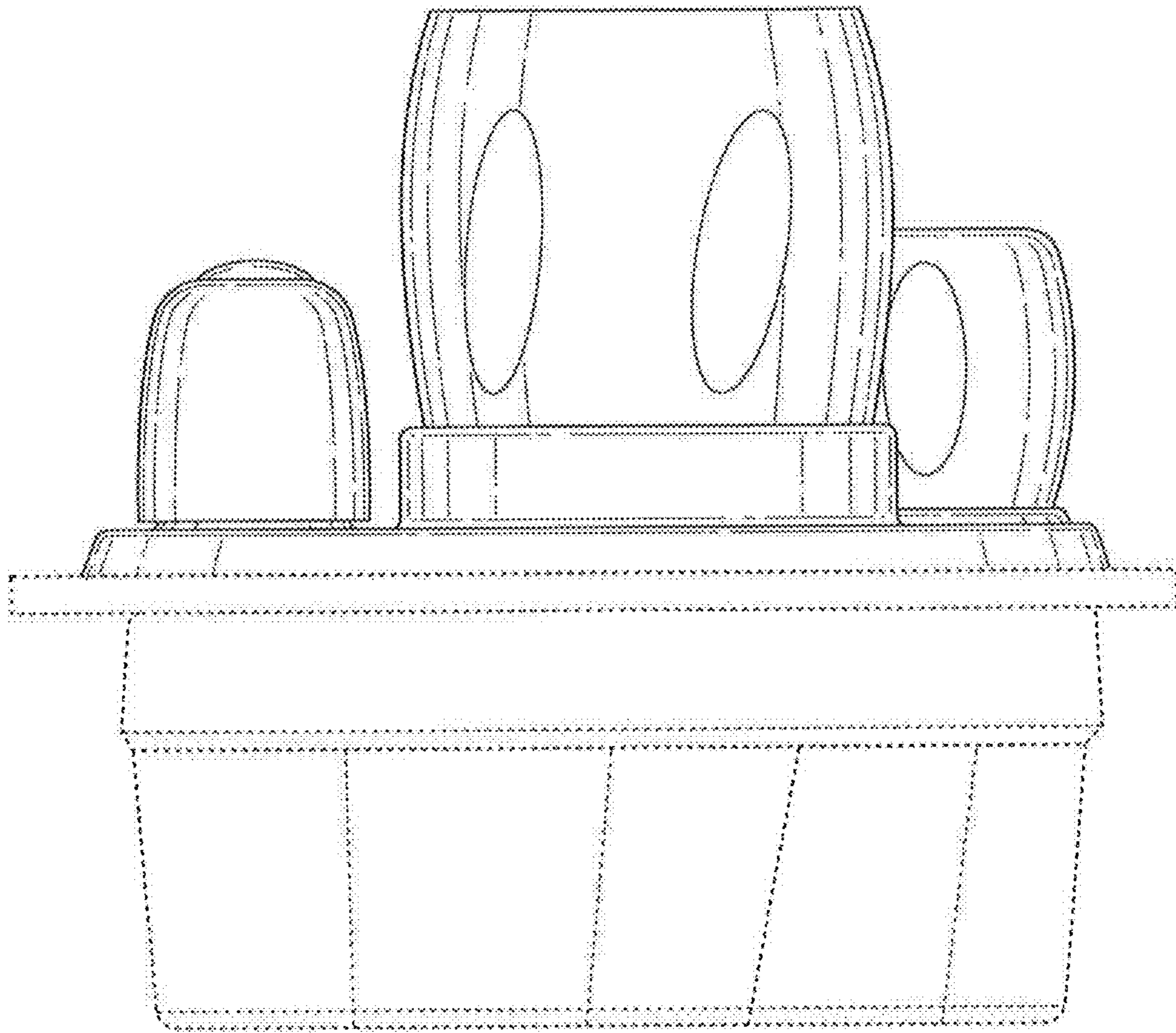




1.1



1.2



1.3

