



US00D812720S

(12) **United States Design Patent** (10) **Patent No.:** **US D812,720 S**  
**Yoshida et al.** (45) **Date of Patent:** **\*\* Mar. 13, 2018**

(54) **MANIFOLD BASE FOR ELECTROMAGNETIC VALVE**

(71) Applicant: **SMC CORPORATION**, Chiyoda-ku (JP)  
 (72) Inventors: **Masaru Yoshida**, Ushiku (JP); **Shinichi Yoshimura**, Moriya (JP); **Shinji Miyazoe**, Moriya (JP)  
 (73) Assignee: **SMC CORPORATION**, Chiyoda-ku (JP)  
 (\*\*) Term: **15 Years**  
 (21) Appl. No.: **29/598,894**  
 (22) Filed: **Mar. 29, 2017**

(30) **Foreign Application Priority Data**

Oct. 12, 2016 (JP) ..... 2016-022125  
 (51) **LOC (11) Cl.** ..... **23-01**  
 (52) **U.S. Cl.**  
 USPC ..... **D23/233**

(58) **Field of Classification Search**

USPC ..... D23/233, 235, 237, 241, 247, 248, 249;  
 D15/5, 143, 1, 199; 251/129.01, 129.15,  
 251/129.2; 137/554, 861, 882, 884,  
 137/625.64, 487.5  
 CPC .... F16K 31/0675; F16K 27/029; F16K 31/06;  
 F16K 31/082; F16K 27/048  
 See application file for complete search history.

(56) **References Cited**

U.S. PATENT DOCUMENTS

D521,597 S \* 5/2006 Nimberger ..... D23/233  
 D616,965 S \* 6/2010 Miyazoe ..... D23/233  
 D689,984 S \* 9/2013 Miyazoe ..... D23/233  
 D690,392 S \* 9/2013 Miyazoe ..... D23/233

\* cited by examiner

*Primary Examiner* — Cynthia Ramirez

*Assistant Examiner* — Gino Colan

(74) *Attorney, Agent, or Firm* — Oblon, McClelland, Maier & Neustadt, L.L.P.

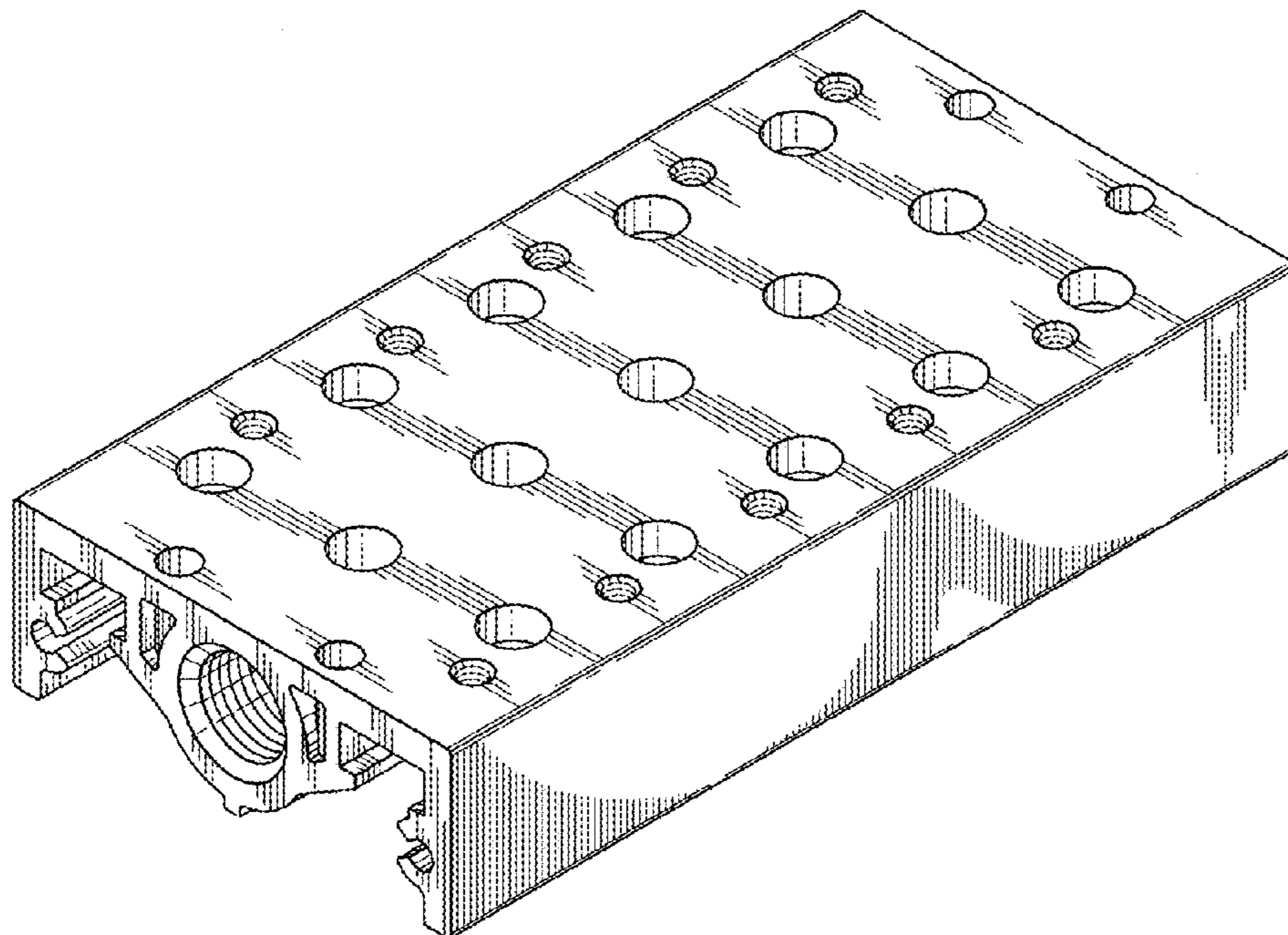
(57) **CLAIM**

The ornamental design for a manifold base for electromagnetic valve, as shown and described.

**DESCRIPTION**

FIG. 1 is a front, top, and right side perspective view of a manifold base for electromagnetic valve showing our new design;  
 FIG. 2 is a rear, bottom, and right side perspective view thereof;  
 FIG. 3 is a front elevational view thereof, the rear elevational view being a mirror image of the front elevational view;  
 FIG. 4 is a left side elevational view thereof, the right side elevational view being a mirror image of the left side elevational view;  
 FIG. 5 is a top plan view thereof; and,  
 FIG. 6 is a bottom plan view thereof.  
 The broken lines in the drawings illustrate portions of the manifold base for electromagnetic valve that form no part of the claimed design.

**1 Claim, 6 Drawing Sheets**



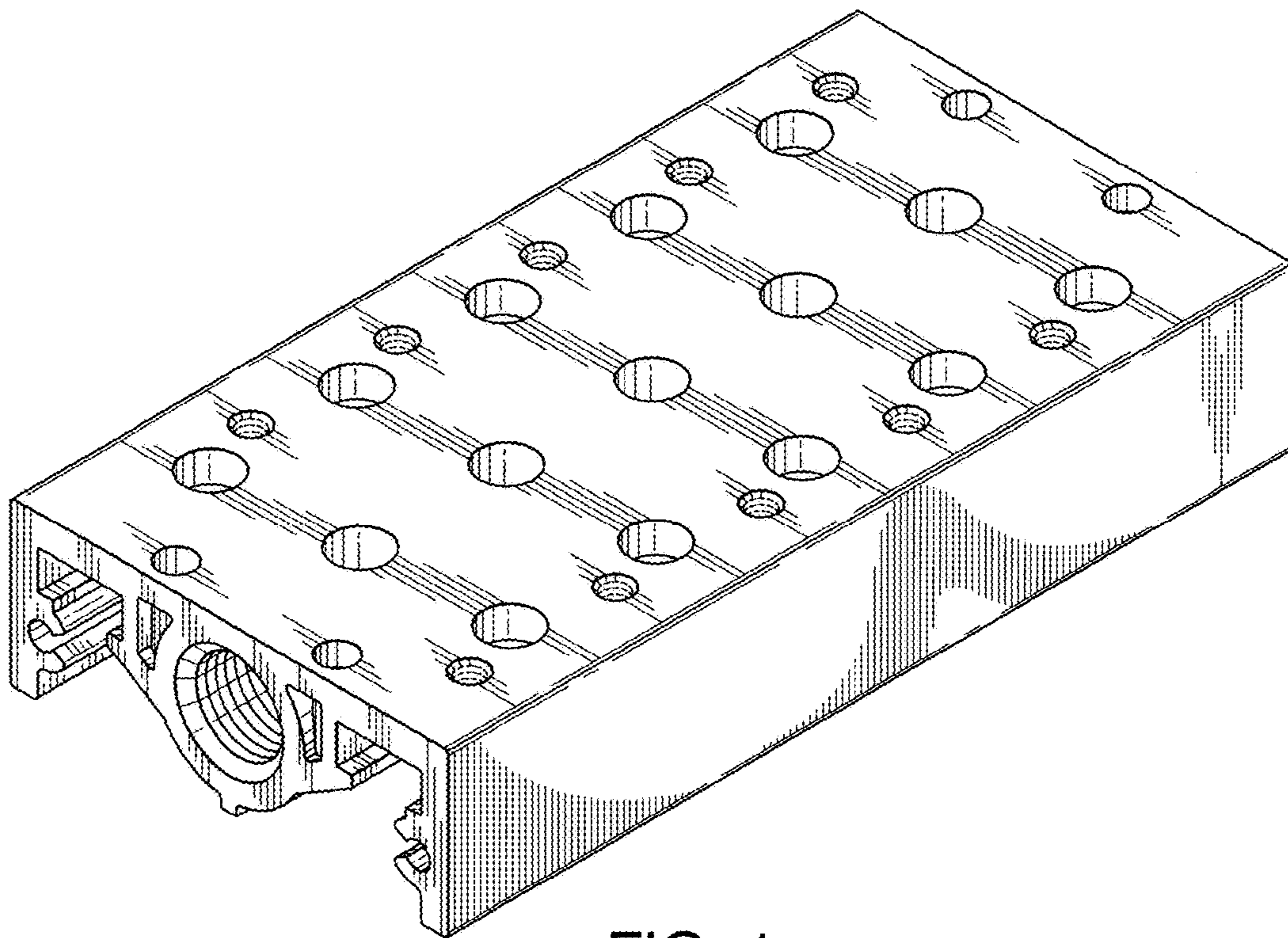


FIG. 1

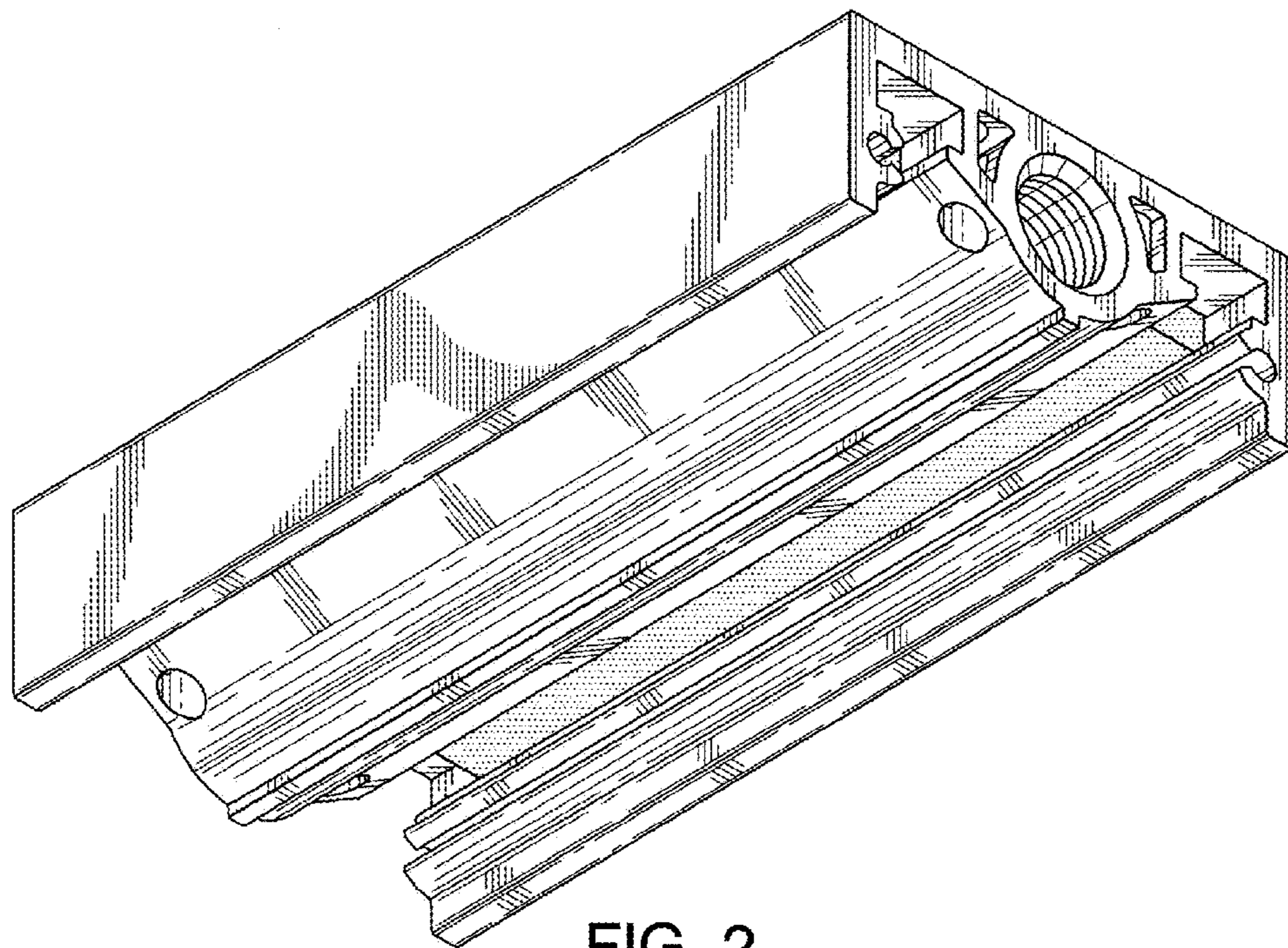


FIG. 2

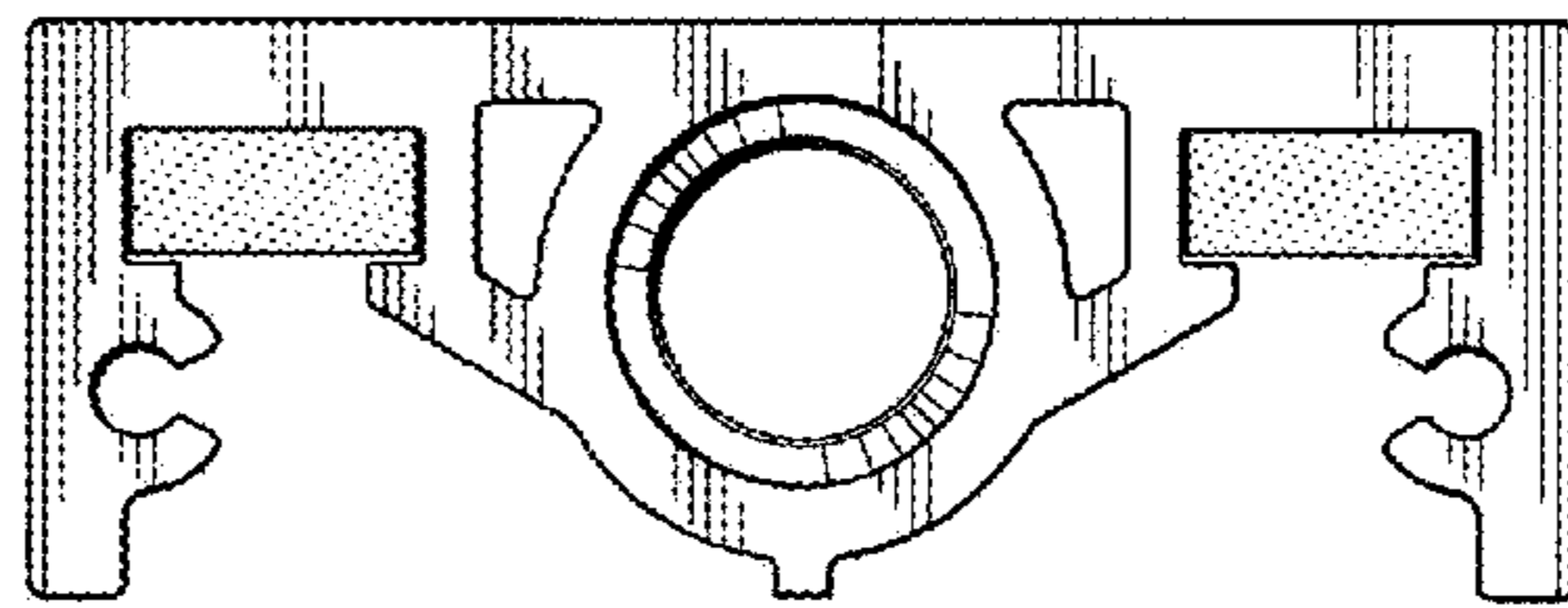


FIG. 3

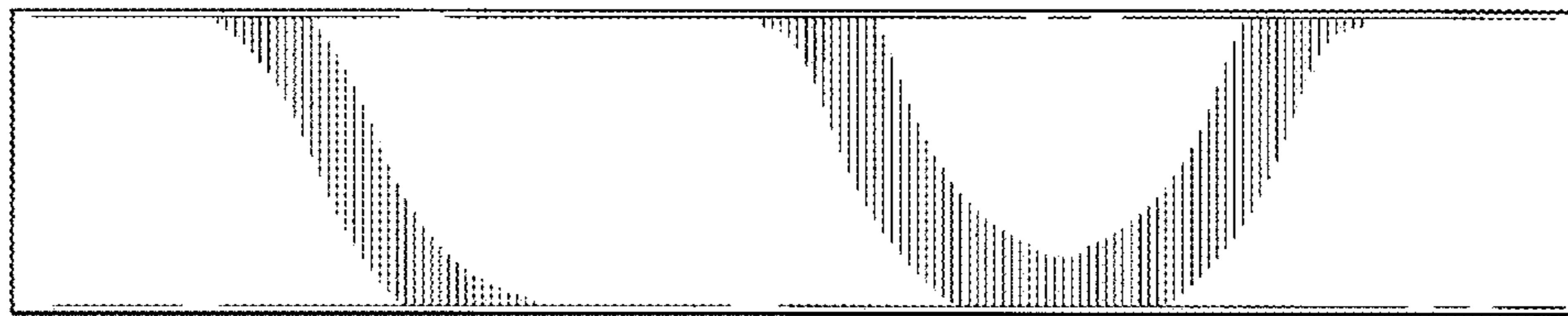


FIG. 4

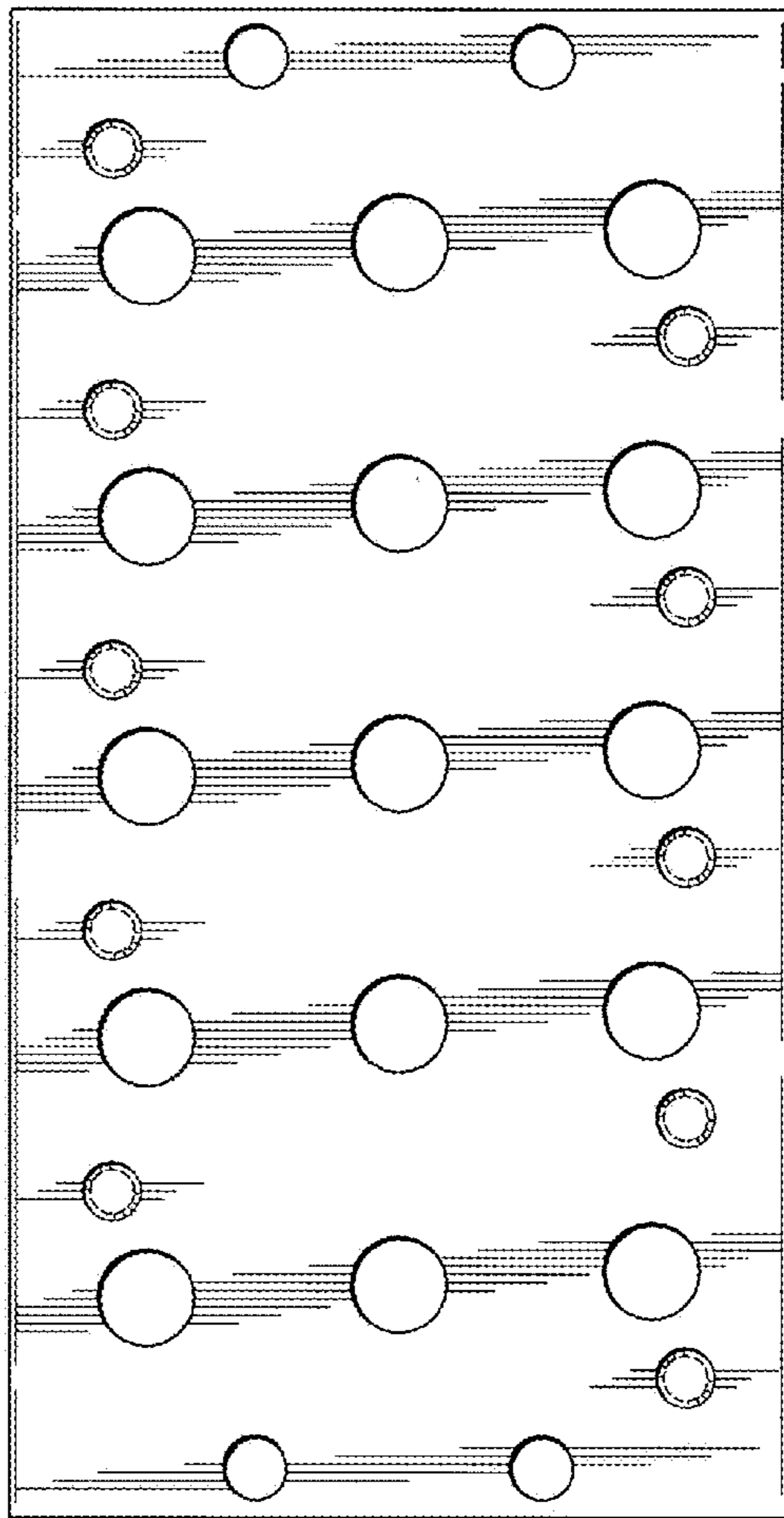


FIG. 5

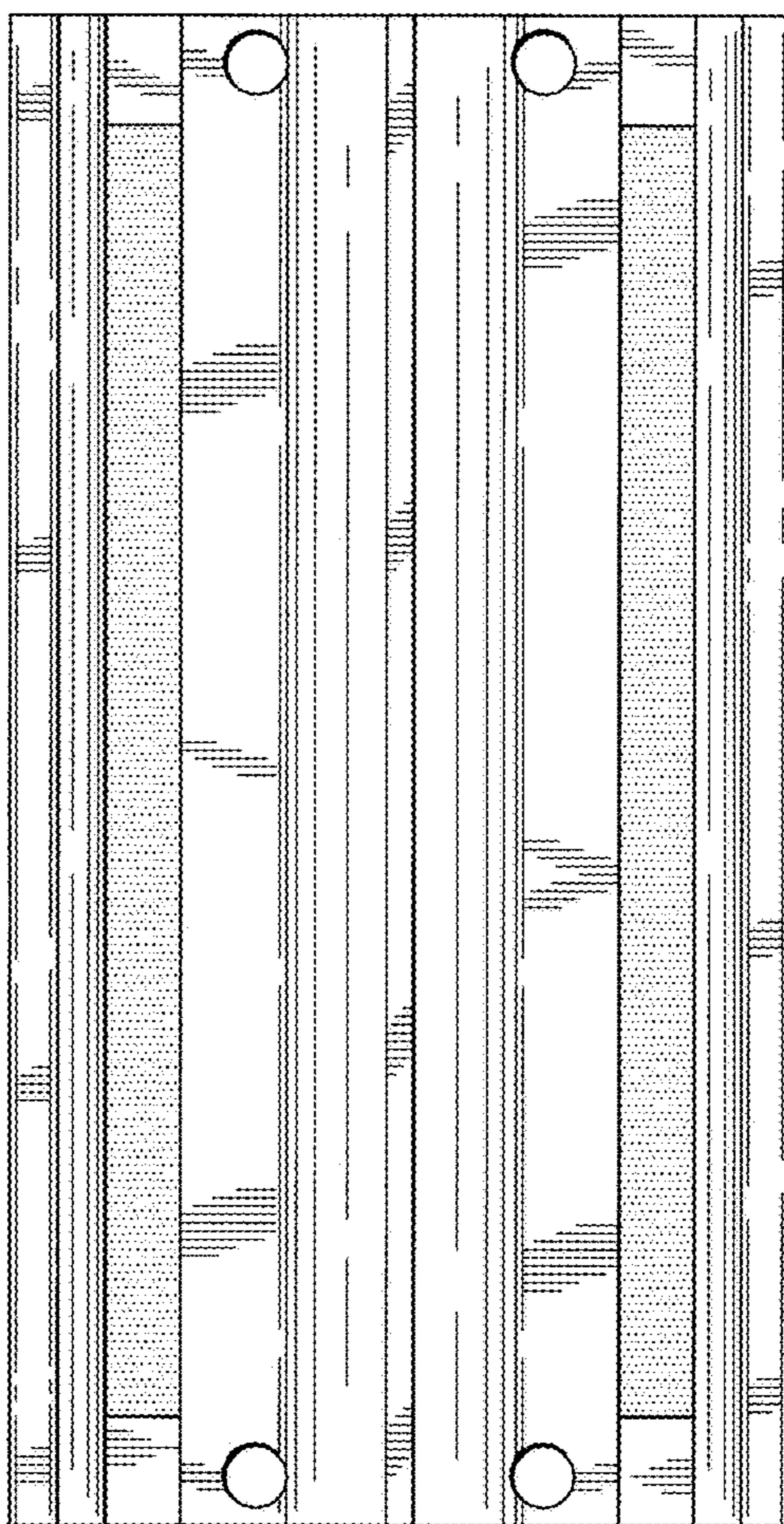


FIG. 6