



US00D812716S

(12) **United States Design Patent** (10) **Patent No.:** **US D812,716 S**
Ebertowski et al. (45) **Date of Patent:** **** Mar. 13, 2018**

(54) **LIQUID CONTAINMENT DEVICE PLUG**

8,444,067 B2 5/2013 Schmon et al.
D754,304 S * 4/2016 Morris D23/260
D798,422 S * 9/2017 Yarborough D23/261
2006/0251473 A1 11/2006 Tyski
2012/0000992 A1 1/2012 Shih
2013/0186981 A1 7/2013 Bums
2013/0221130 A1 8/2013 Joseph et al.
2014/0178126 A1 6/2014 Bums

(71) Applicant: **3M INNOVATIVE PROPERTIES COMPANY**, St. Paul, MN (US)

(72) Inventors: **Alexander T. Ebertowski**, Burnsville, MN (US); **Scott D. Gullicks**, Woodbury, MN (US); **Anna M. Hegdahl**, Brooklyn Park, MN (US); **Steven J. Tarnowski**, Mahtomedi, MN (US)

(73) Assignee: **3M INNOVATIVE PROPERTIES COMPANY**, Saint Paul, MN (US)

(**) Term: **15 Years**

(21) Appl. No.: **29/587,208**

(22) Filed: **Dec. 12, 2016**

(51) **LOC (11) Cl.** **23-01**

(52) **U.S. Cl.**
USPC **D23/225**; D23/260

(58) **Field of Classification Search**
USPC D23/213, 225, 260, 269; 222/567-570;
239/302, 310; 4/286, 287, 295; 277/921,
277/644

CPC B05B 7/241; B05B 7/2408; B05B 7/2478;
B65D 47/06

See application file for complete search history.

(56) **References Cited**

U.S. PATENT DOCUMENTS

D35,064 S * 9/1901 Pulcifer 277/644
3,271,059 A 9/1966 Pearson
5,150,804 A 9/1992 Blanchet et al.
5,240,133 A 8/1993 Thomas, Jr.
6,662,411 B2 12/2003 Rubenstein et al.
D583,912 S * 12/2008 Beele F16L 5/04
D23/260
8,196,770 B2 6/2012 Kosmyrna et al.

FOREIGN PATENT DOCUMENTS

CA 2466801 12/2004
DE 8902223.8 5/1989
DE 102009034715 1/2011
WO WO 98/32539 7/1998
WO WO 03/045575 6/2003
WO WO 2004/052552 6/2004
WO WO 2005/018815 3/2005
WO WO 2008/156357 12/2008
WO WO 2014/182722 11/2014

* cited by examiner

Primary Examiner — Robin V Webster

(74) *Attorney, Agent, or Firm* — Aleksander Medved

(57) **CLAIM**

The ornamental design for a liquid containment device plug, as shown and described.

DESCRIPTION

FIG. 1 is a perspective view of a new design for a plug that seals a liquid containment device.

FIG. 2 is a top view thereof;

FIG. 3 is a bottom view thereof;

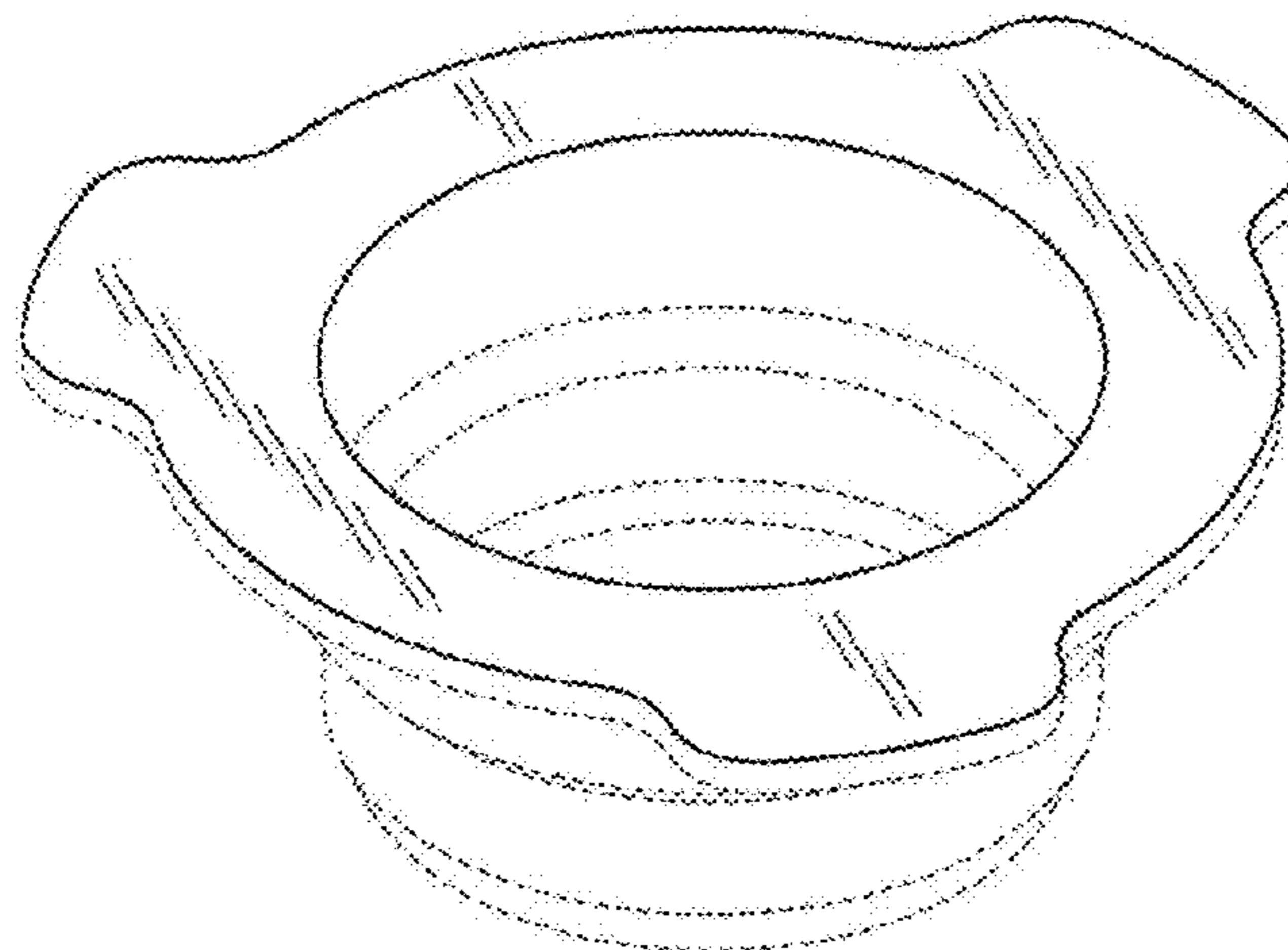
FIG. 4 is a front view thereof;

FIG. 5 is a rear view thereof; and,

FIG. 6 is a left side view, the right side view being a mirror image thereof.

The broken line showing of portions of the liquid containment device plug is included for the purpose of illustrating and forms no part of the claimed design.

1 Claim, 3 Drawing Sheets



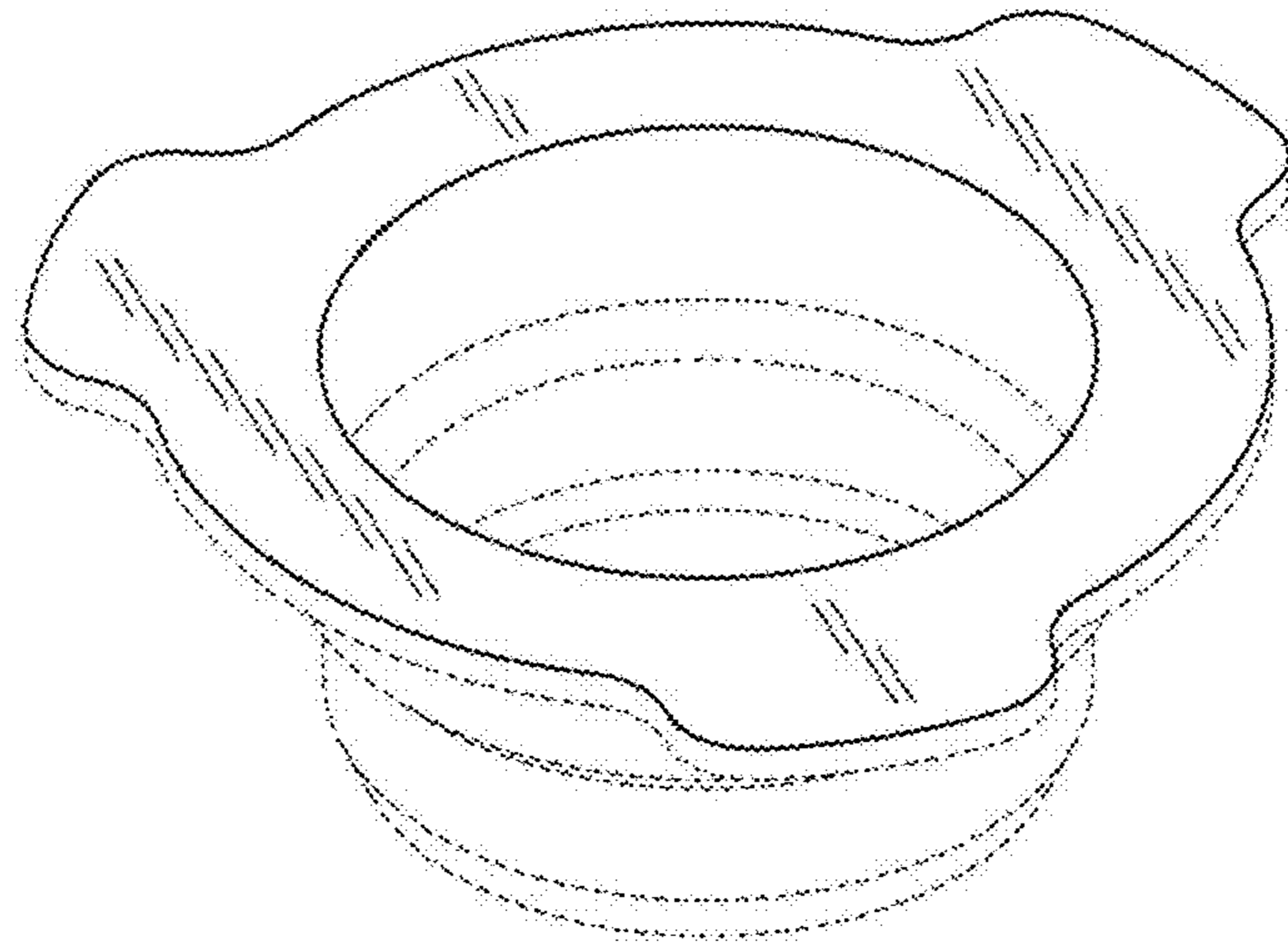


FIG. 1

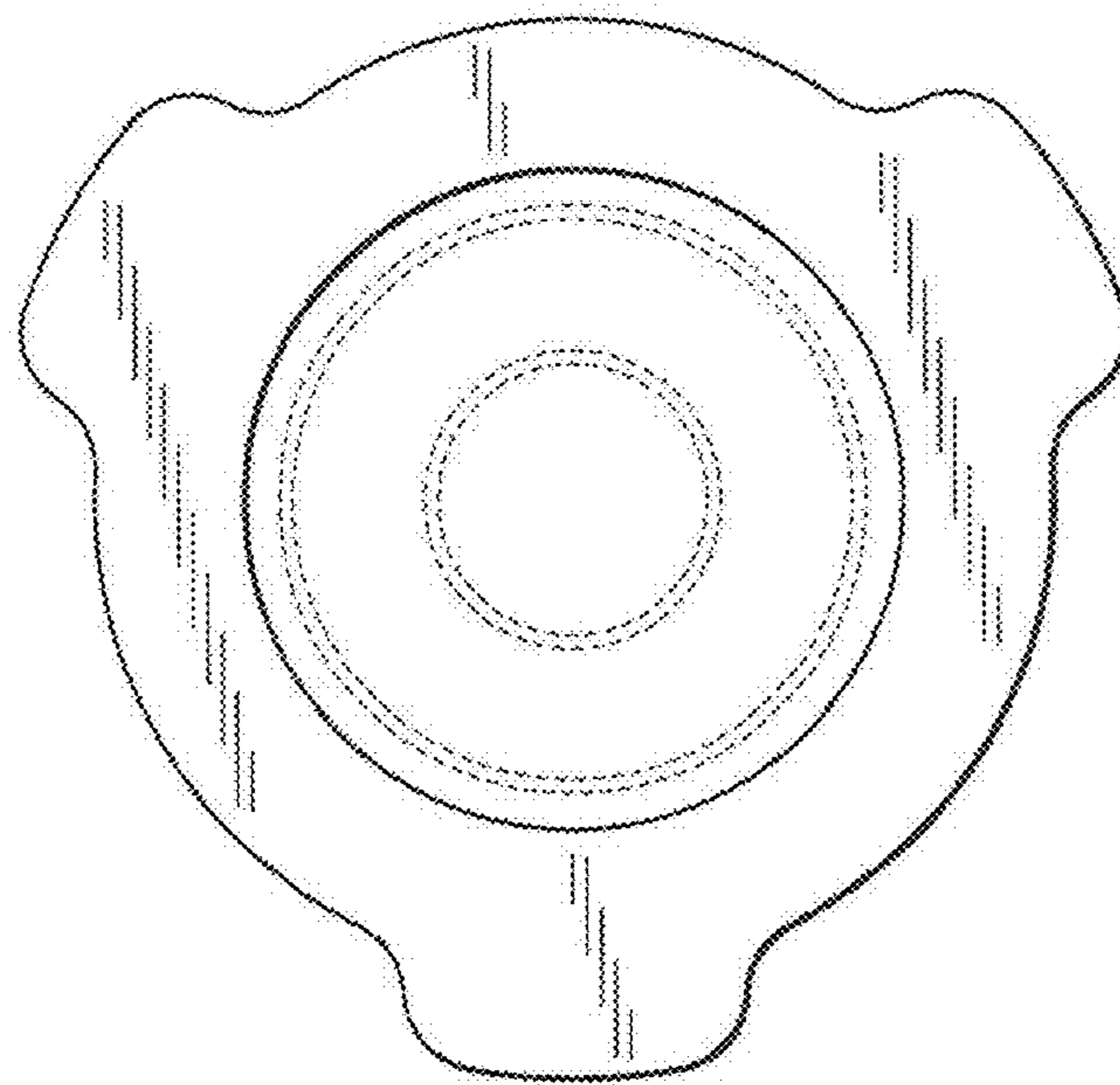


FIG. 2

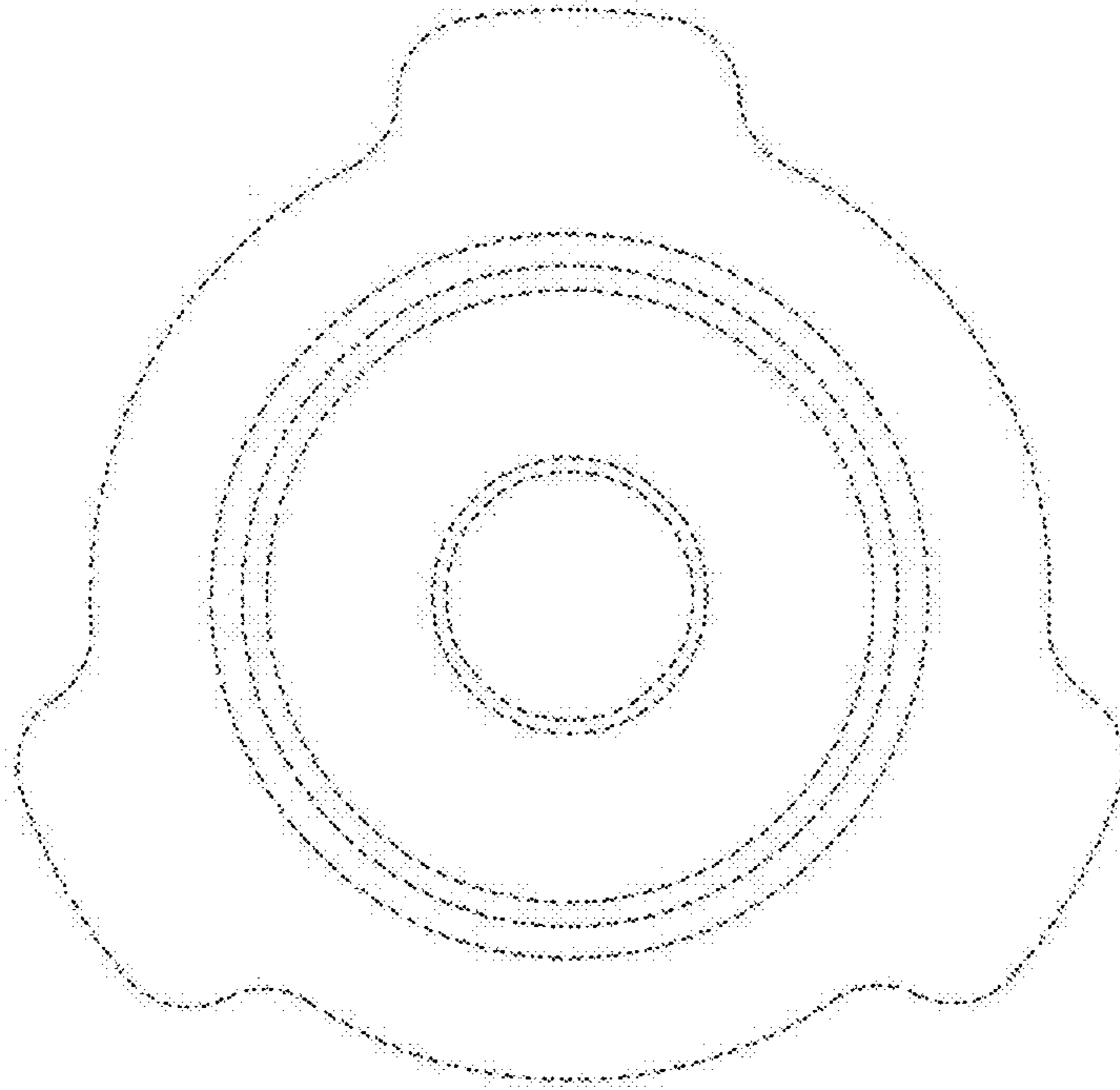


FIG. 3

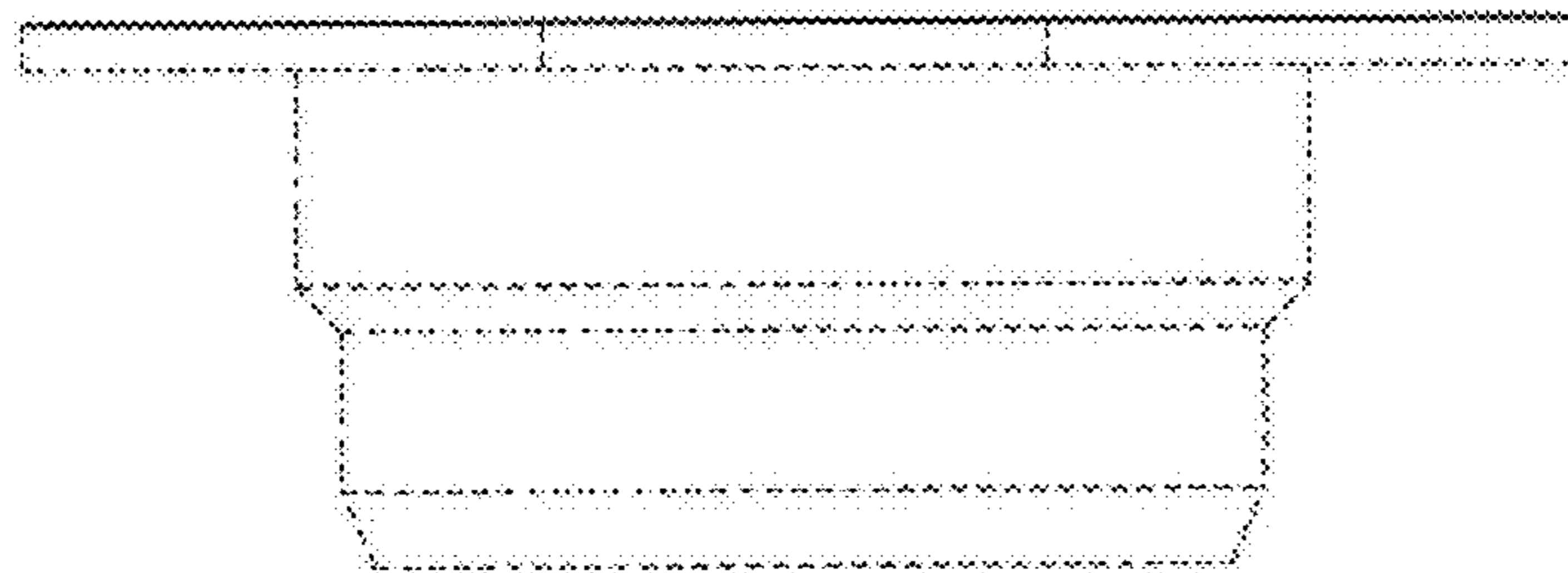


FIG. 4

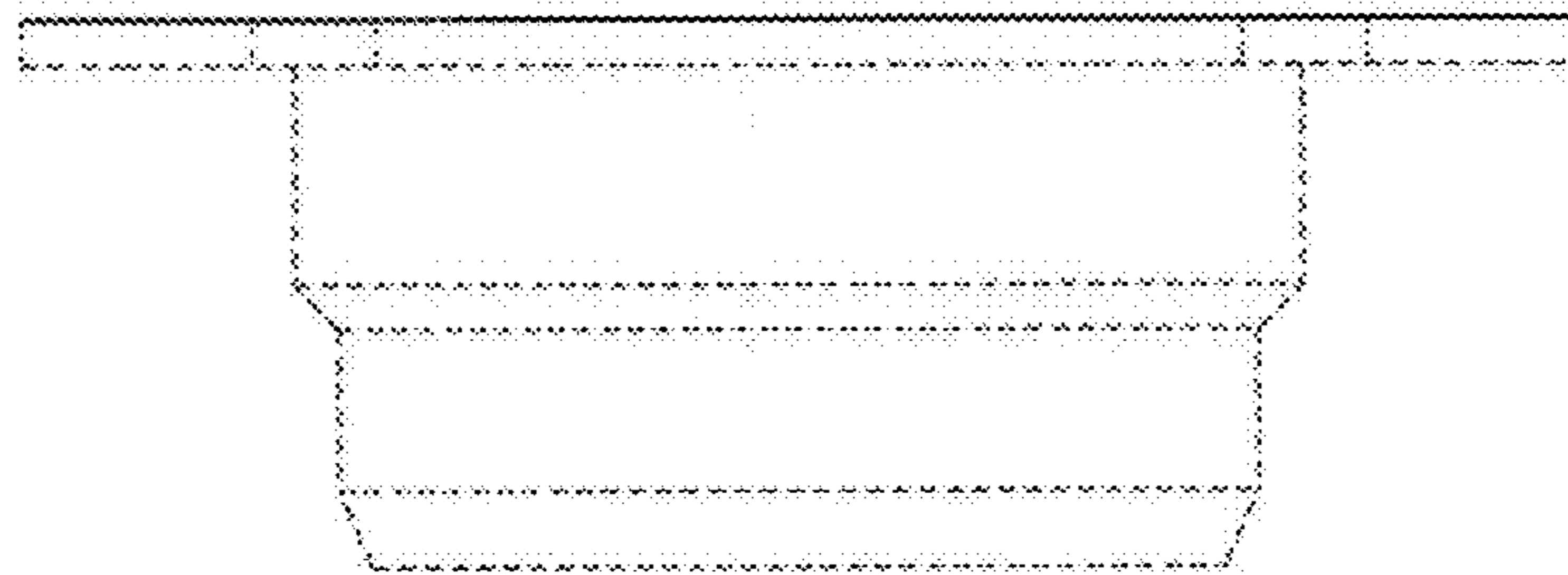


FIG. 5



FIG. 6