



US00D812715S

(12) **United States Design Patent**
Näslund et al.

(10) **Patent No.:** **US D812,715 S**
(45) **Date of Patent:** **** Mar. 13, 2018**

(54) **SPRAYER CONNECTION ASSEMBLY**

FOREIGN PATENT DOCUMENTS

- (71) Applicant: **HUSQVARNA AB**, Huskvarna (SE)
- (72) Inventors: **Jens Näslund**, Spånga (SE); **Daniel Gunnarsson**, Danderyd (SE); **Gustav Landberg**, Trosa (SE); **Tor Sigurdson**, Stockholm (SE)
- (73) Assignee: **HUSQVARNA AB**, Huskvarna (SE)
- (**) Term: **15 Years**
- (21) Appl. No.: **29/579,310**
- (22) Filed: **Sep. 29, 2016**

JP 1515591 S 1/2015

* cited by examiner

Primary Examiner — Robin V Webster

(74) *Attorney, Agent, or Firm* — McNair Law Firm, P.A.

(30) **Foreign Application Priority Data**

Mar. 31, 2016 (EM) 003049931-0035

(51) **LOC (11) Cl.** **23-01**

(52) **U.S. Cl.**
USPC **D23/213**

(58) **Field of Classification Search**
USPC D23/213, 223, 226; 239/526
CPC B05B 1/18; B05B 9/01; B05B 15/061;
B05B 3/00; B05B 5/00; A62C 31/03;
A62C 31/02
See application file for complete search history.

(57) **CLAIM**

The ornamental design for a sprayer connection assembly, as shown and described.

DESCRIPTION

FIG. 1 is a perspective view of a sprayer connection assembly in accordance with an embodiment of the present invention;

FIG. 2 is a front view of the sprayer connection assembly of FIG. 1;

FIG. 3 is a rear view of the sprayer connection assembly of FIG. 1;

FIG. 4 is a right side view of the sprayer connection assembly of FIG. 1;

FIG. 5 is a left side view of the sprayer connection assembly of FIG. 1;

FIG. 6 is a top view of the sprayer connection assembly of FIG. 1; and,

FIG. 7 is a bottom view of the sprayer connection assembly of FIG. 1.

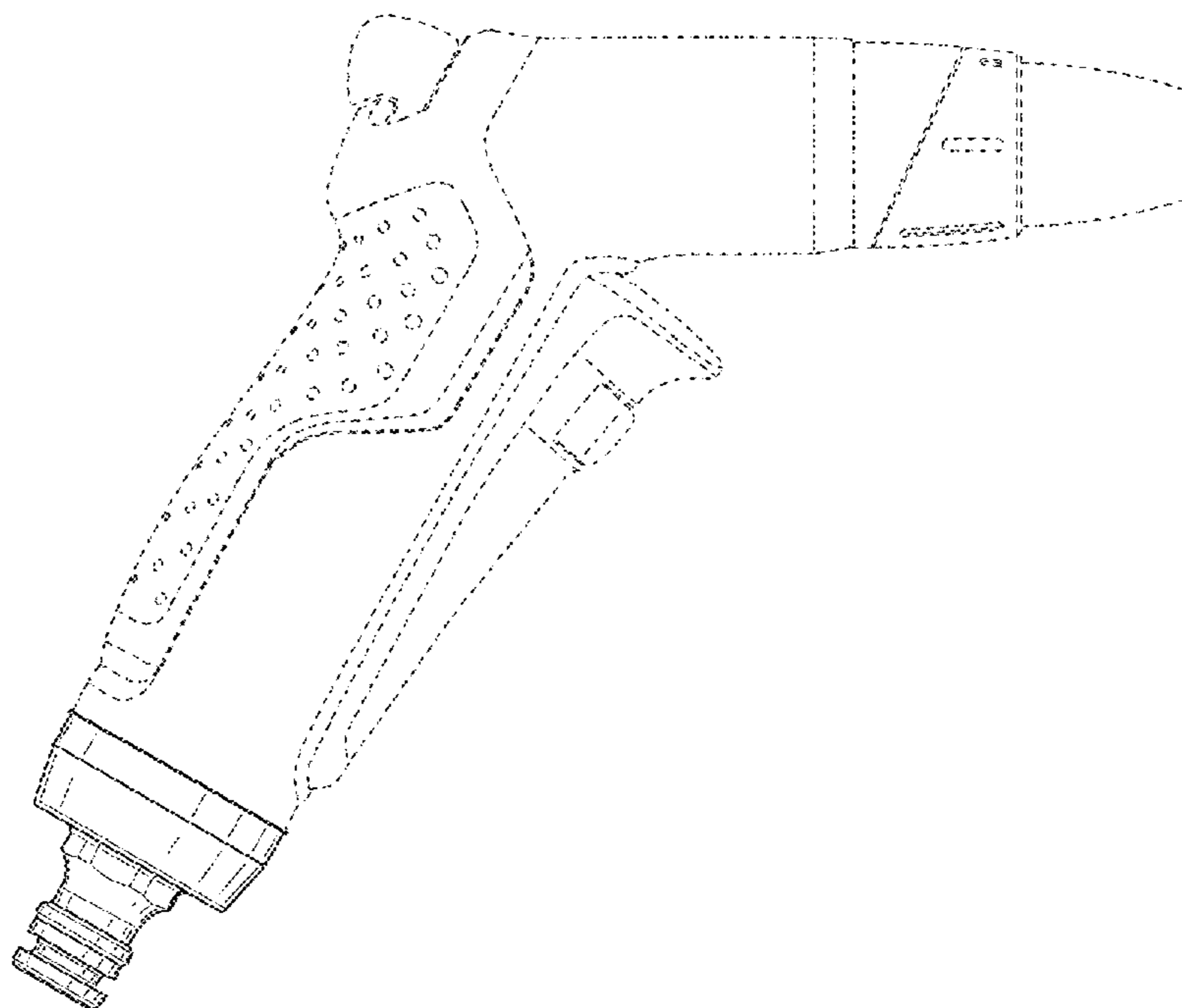
The broken lines of FIGS. 1-7 are illustrative of the visible environmental structure of the sprayer connection assembly and form no part of the claimed design.

(56) **References Cited**

U.S. PATENT DOCUMENTS

- D439,636 S * 3/2001 Hamilton D23/213
- D748,762 S 2/2016 Näslund
- D752,719 S * 3/2016 Lehmann D23/259
- D782,005 S * 3/2017 Naslund D23/223

1 Claim, 5 Drawing Sheets



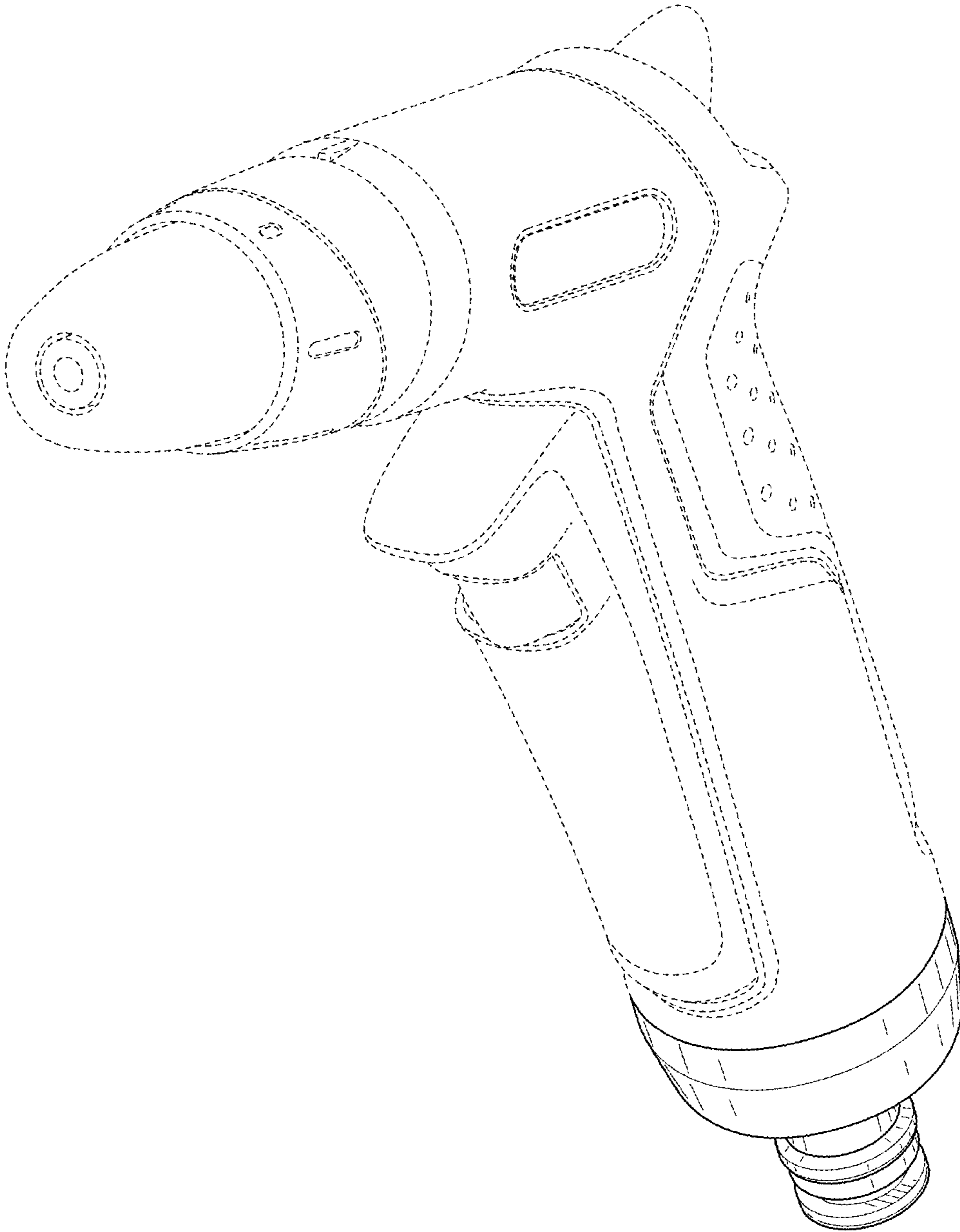


FIG. 1

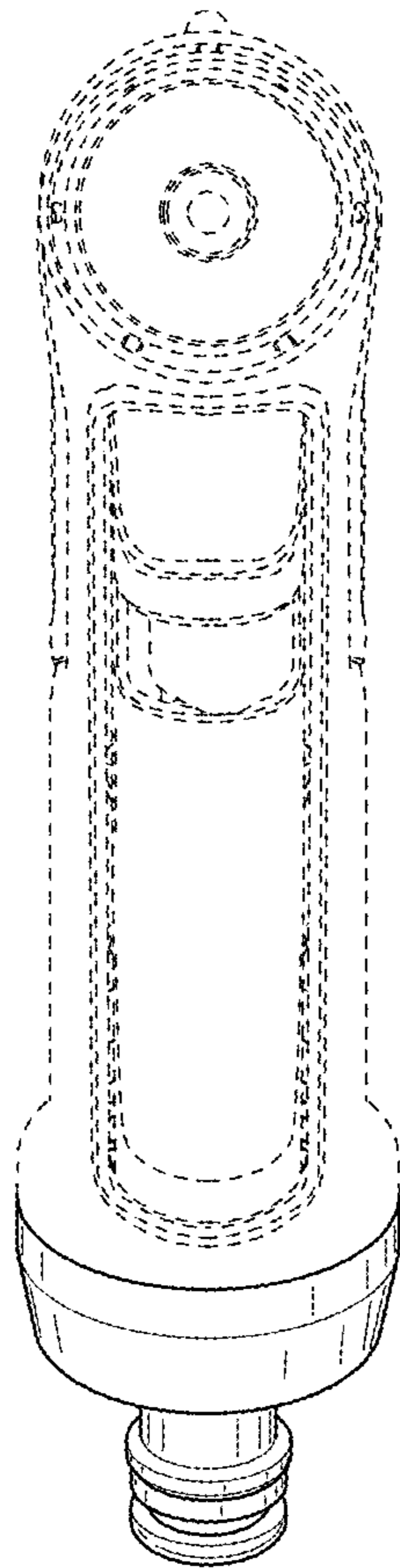


FIG. 2

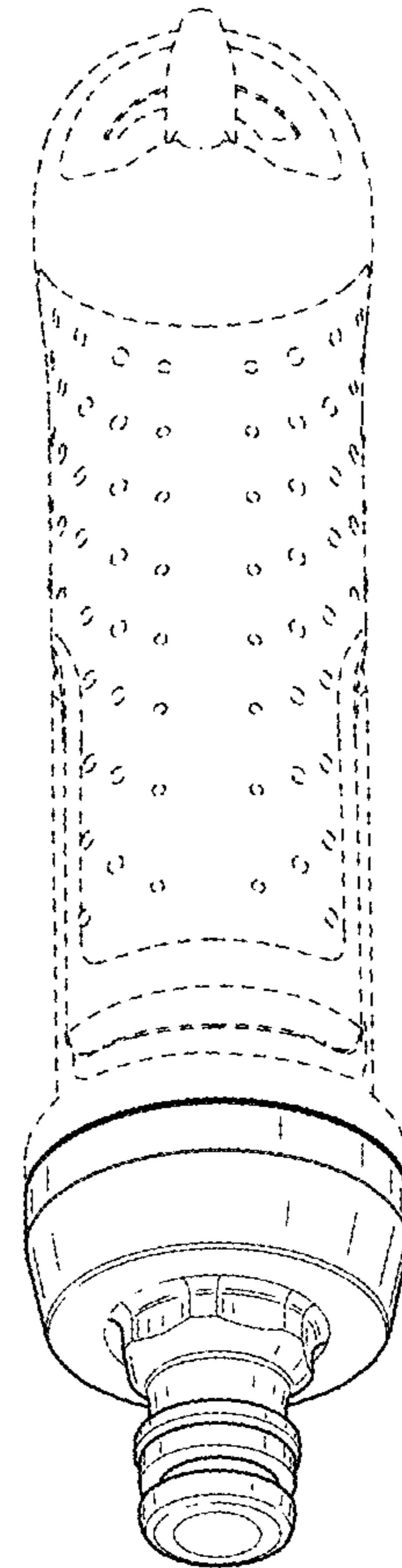


FIG. 3

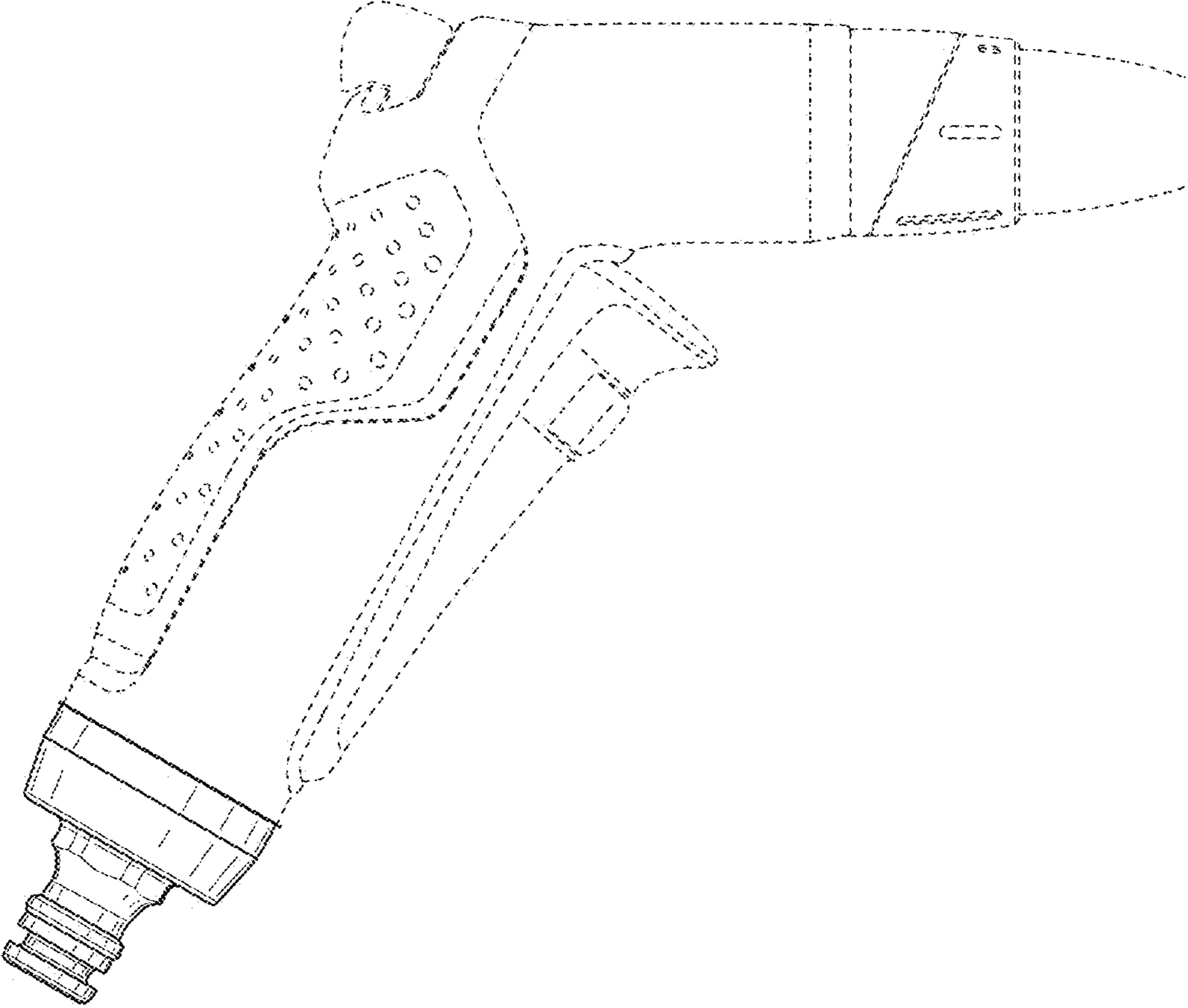


FIG. 4

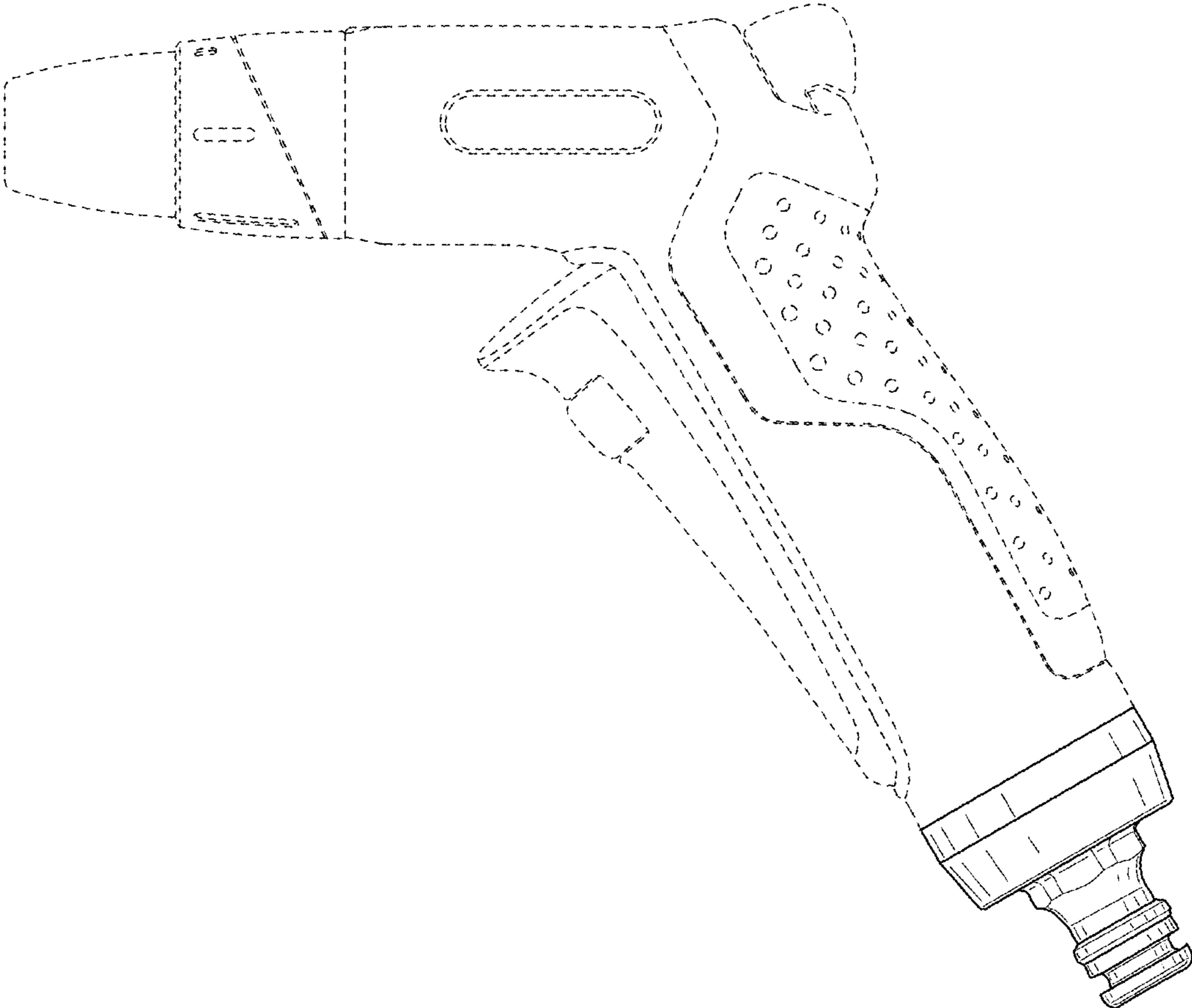


FIG. 5

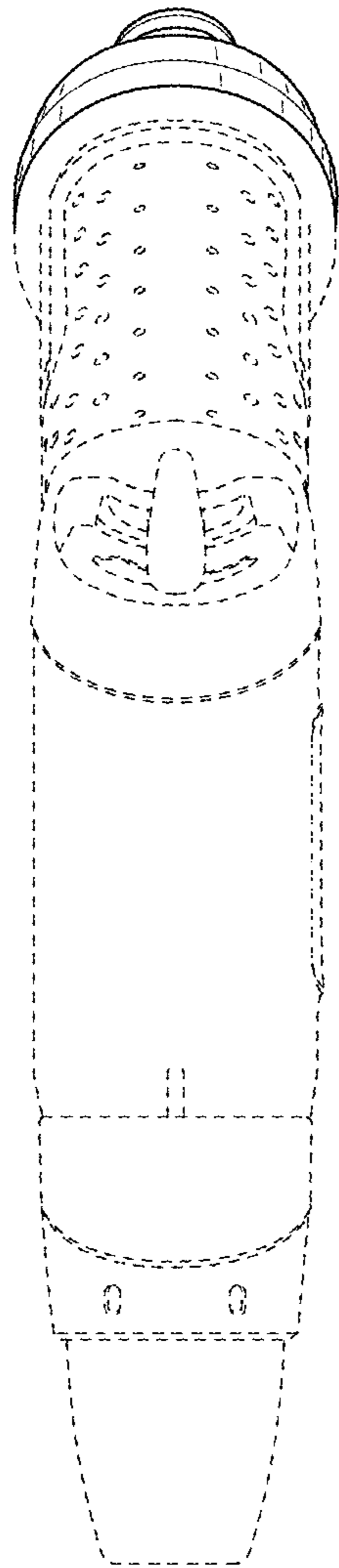


FIG. 6

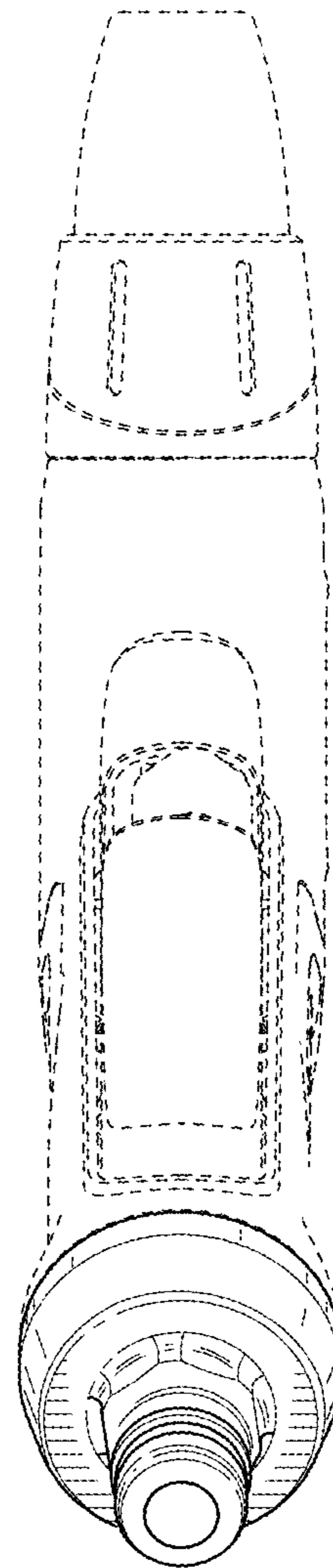


FIG. 7