



US00D812713S

(12) **United States Design Patent**
Horie et al.

(10) **Patent No.:** **US D812,713 S**

(45) **Date of Patent:** **** Mar. 13, 2018**

(54) **FISHING REEL**

(56) **References Cited**

(71) Applicant: **GLOBERIDE, INC.**,
Higashikurume-shi, Tokyo (JP)

(72) Inventors: **Hironori Horie**, Higashikurume (JP);
Shinichiro Nagata, Higashikurume
(JP); **Takashi Shibata**, Higashikurume
(JP); **Wataru Tsutsumi**, Higashikurume
(JP); **Naoya Oodama**, Higashikurume
(JP); **Takashi Kondo**, Musashino (JP)

U.S. PATENT DOCUMENTS

D505,991 S * 6/2005 Iwabuchi D22/141
D685,055 S * 6/2013 Deguchi D22/141
D723,655 S * 3/2015 Deguchi D22/141
9,314,007 B2 * 4/2016 Tsutsumi A01K 89/01
D767,085 S * 9/2016 Nago D22/141
D776,785 S * 1/2017 Nagai D22/141

* cited by examiner

Primary Examiner — Catherine R Oliver-Garcia

(74) *Attorney, Agent, or Firm* — Sughrue Mion, PLLC

(73) Assignee: **GLOBERIDE, INC.**,
Higashikurume-shi, Tokyo (JP)

(57) **CLAIM**

(**) Term: **15 Years**

The ornamental design for a fishing reel, as shown and described.

(21) Appl. No.: **29/589,112**

DESCRIPTION

(22) Filed: **Dec. 28, 2016**

(30) **Foreign Application Priority Data**

Jun. 29, 2016 (JP) 2016-013825

(51) **LOC (11) Cl.** **22-05**

(52) **U.S. Cl.**
USPC **D22/141**

(58) **Field of Classification Search**
USPC D22/137–141; 242/230–233, 238,
242/245–248, 311
CPC A01K 89/00; A01K 89/01
See application file for complete search history.

FIG. 1 is a front, right, bottom perspective view of a fishing reel showing our new design;
FIG. 2 is a front, left, bottom perspective view thereof;
FIG. 3 is a front view thereof;
FIG. 4 is a rear view thereof;
FIG. 5 is a right side view thereof;
FIG. 6 is a left side view thereof;
FIG. 7 is a top plan view thereof; and,
FIG. 8 is a bottom view thereof.

The broken lines in the drawings are intended to show portions of the fishing reel that are not being claimed, and thus form no part of the claimed invention.

1 Claim, 8 Drawing Sheets

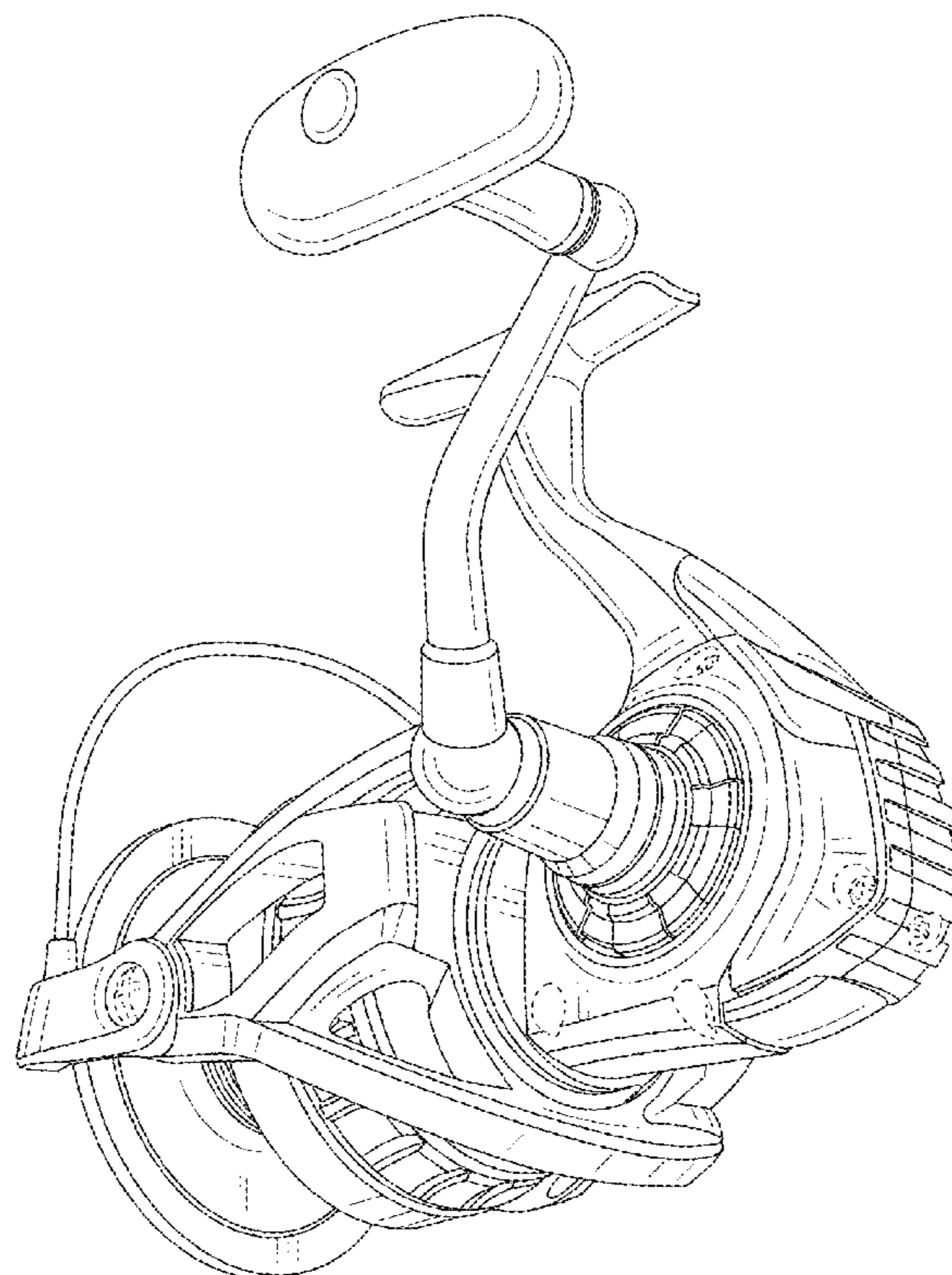


Fig. 1

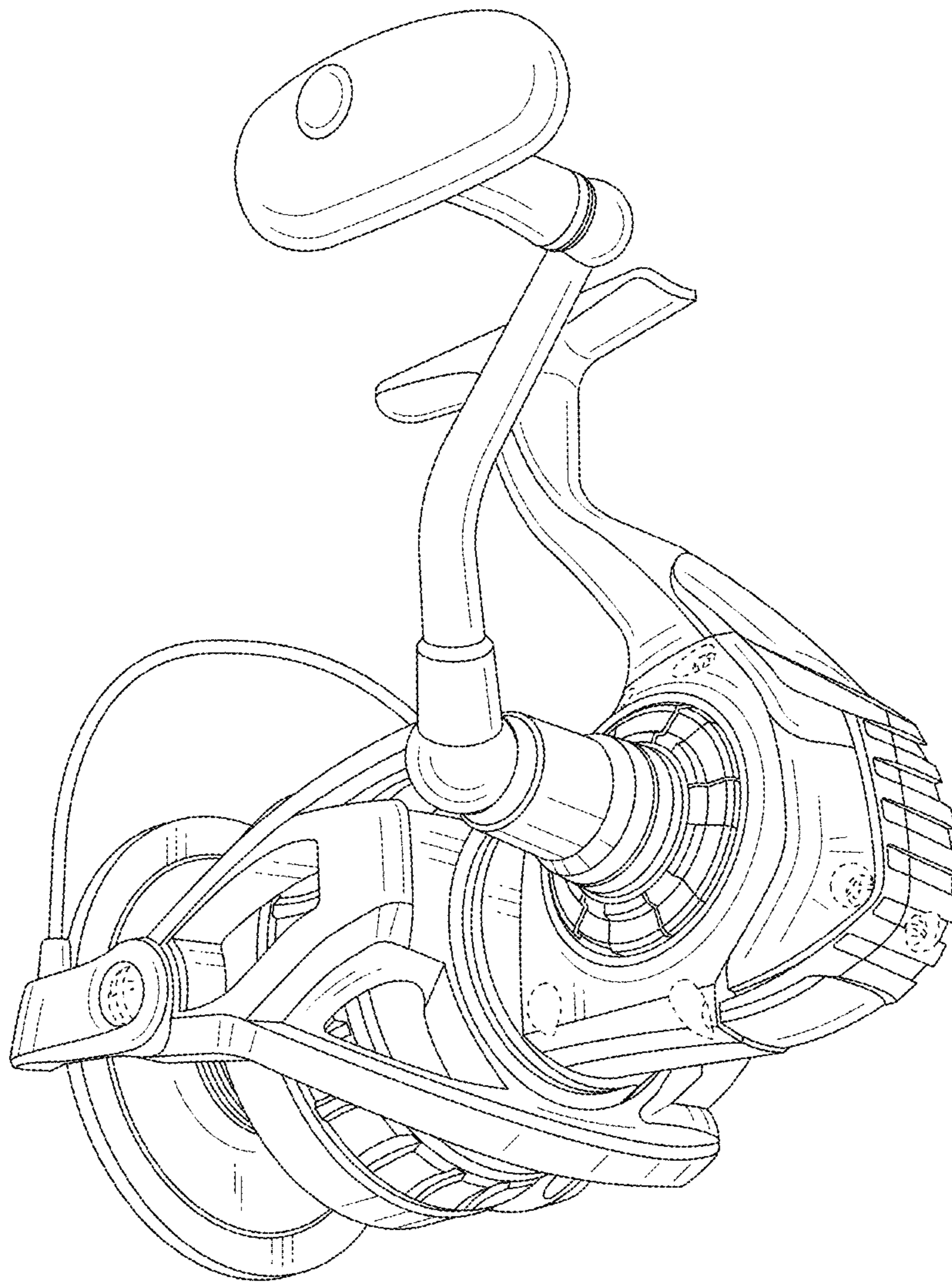


Fig. 2

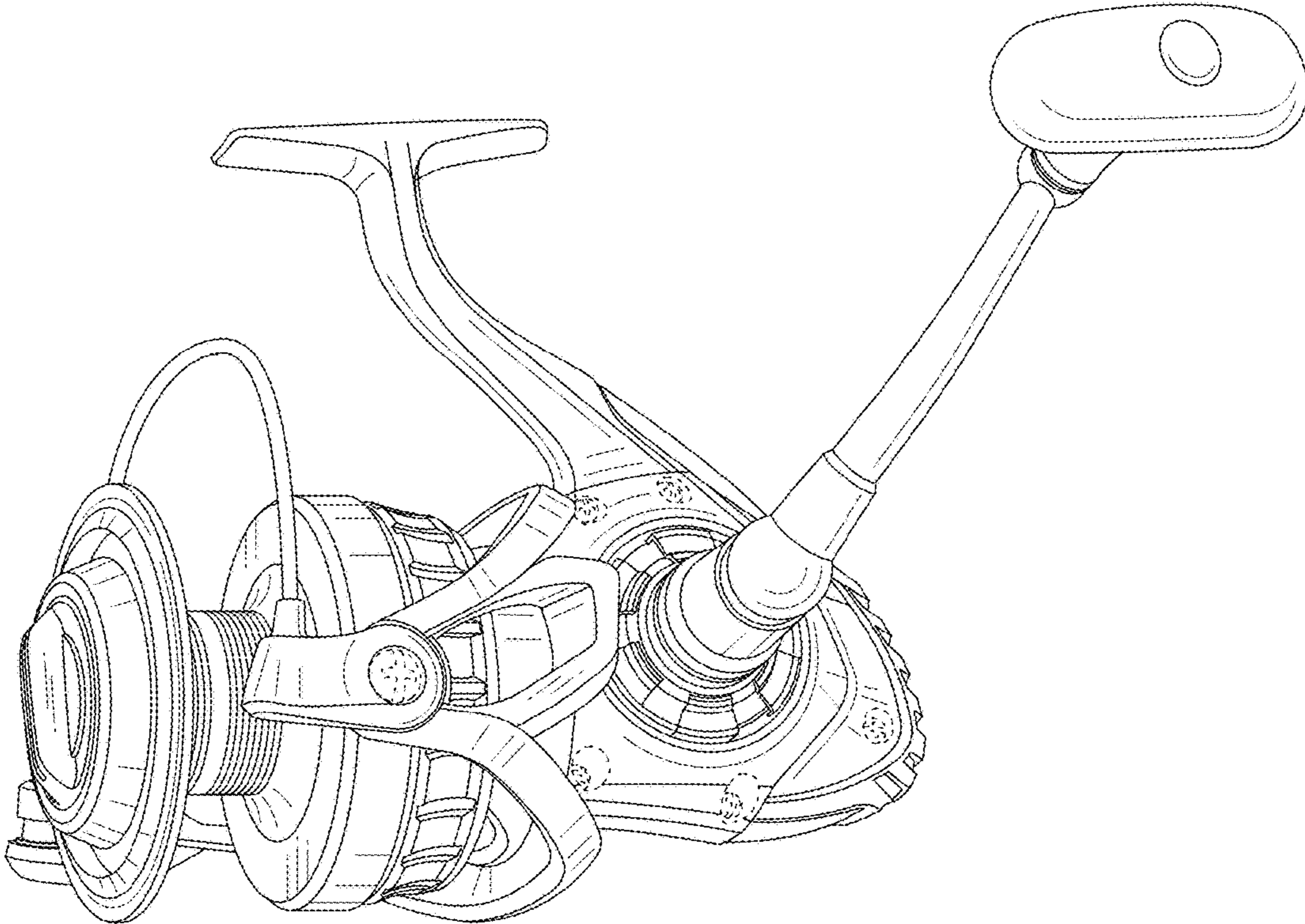


Fig. 3

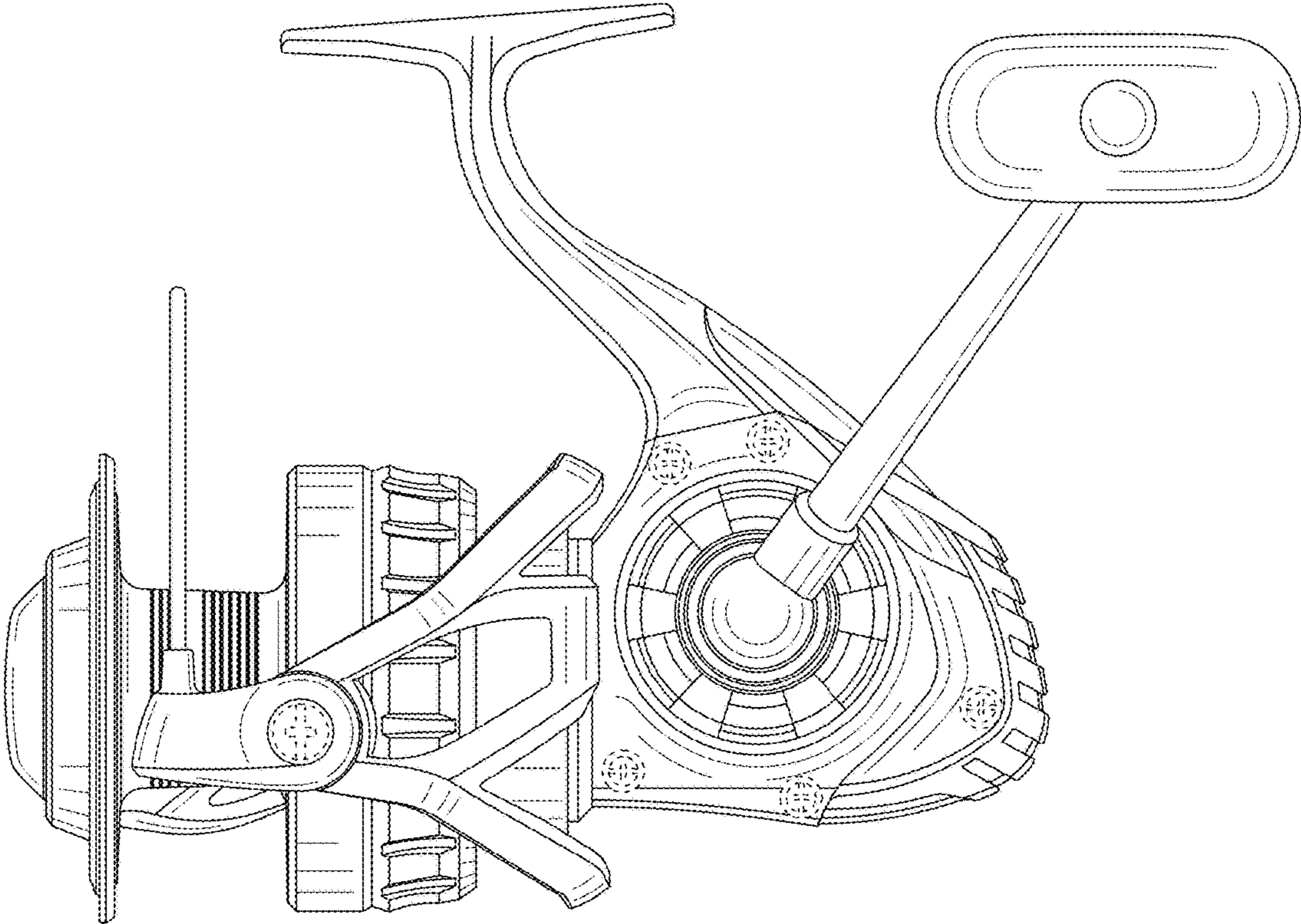


Fig. 4

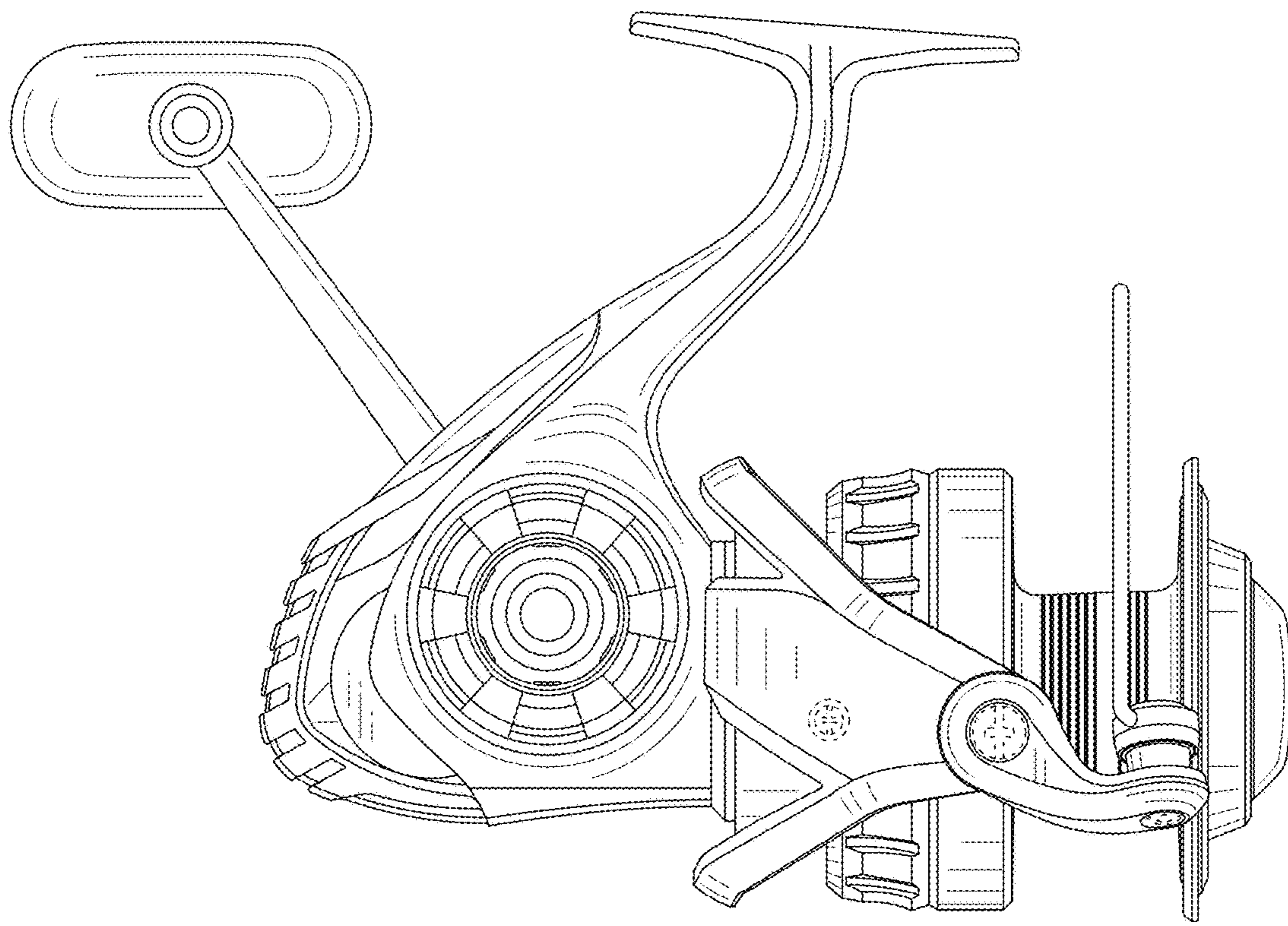


Fig. 5

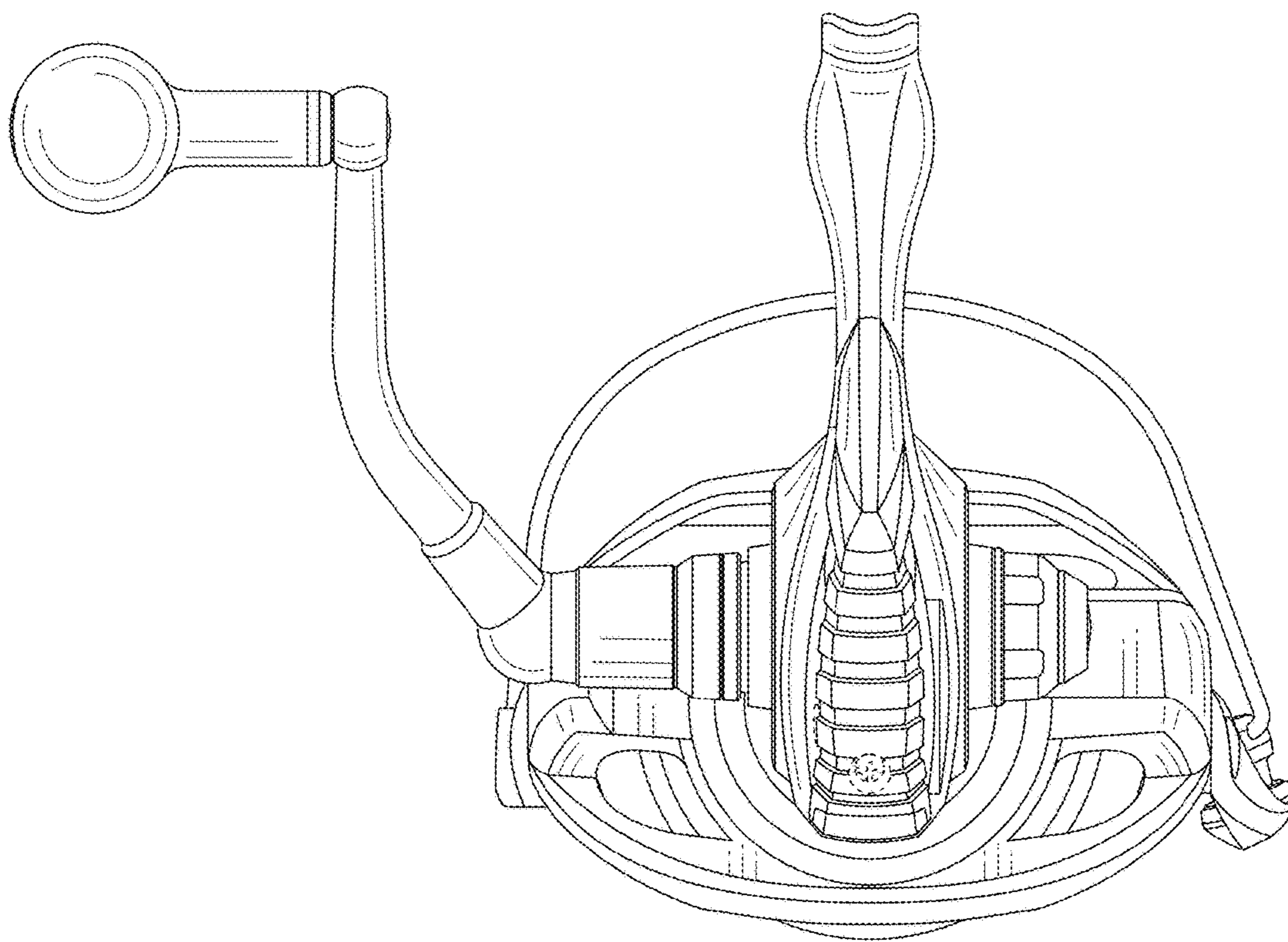


Fig. 6

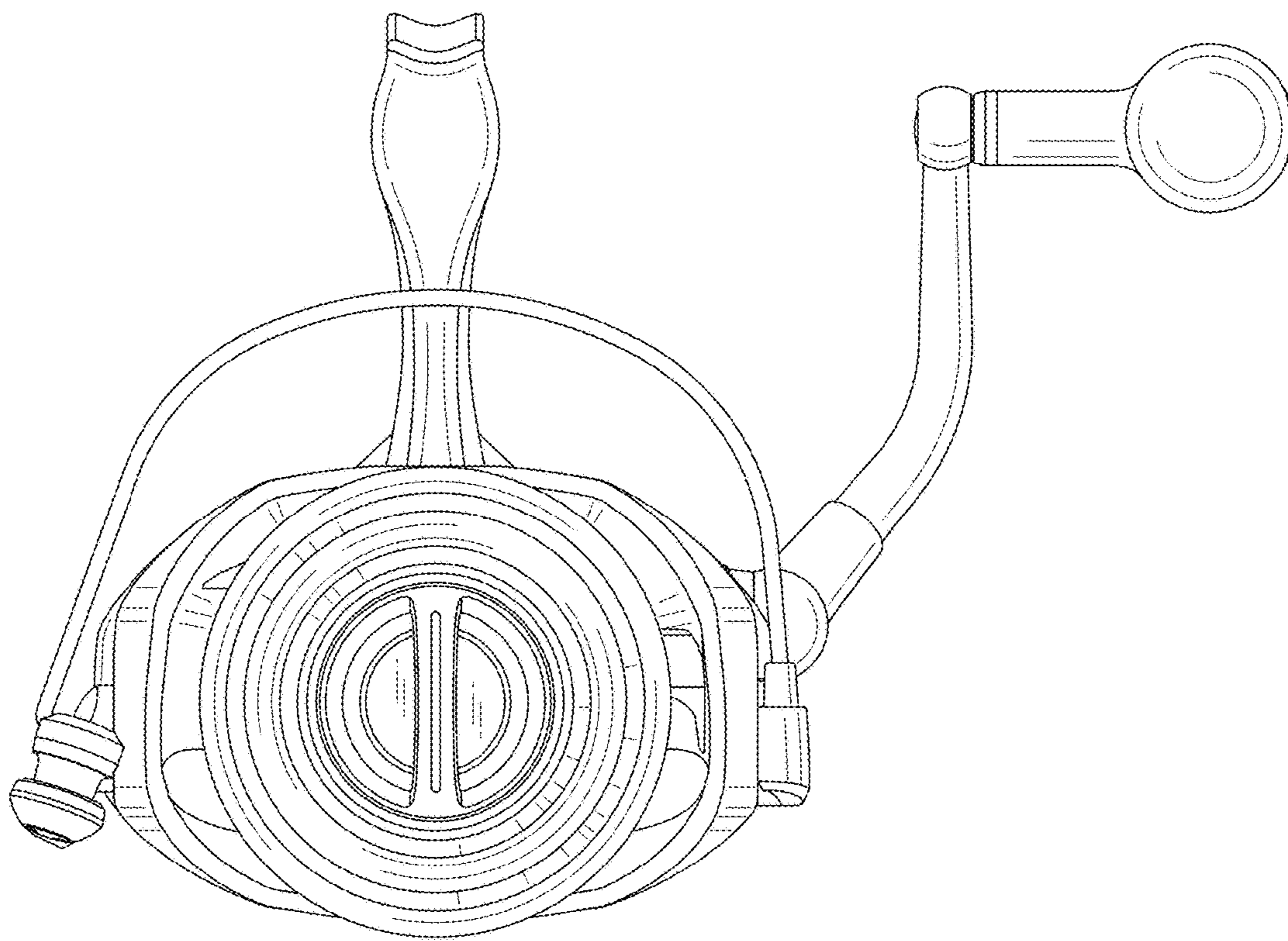


Fig. 7

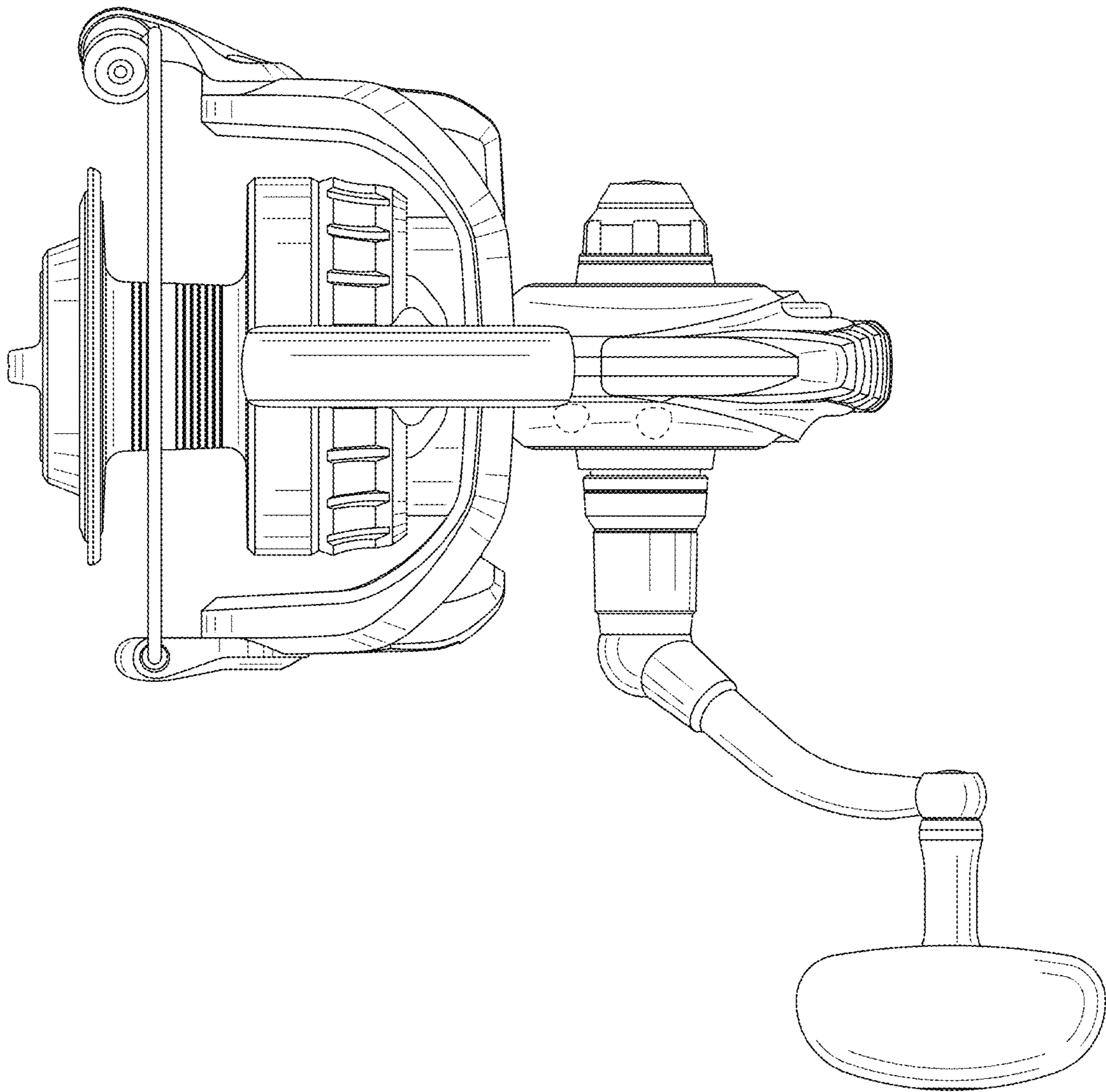


Fig. 8

