



US00D812712S

(12) **United States Design Patent**  
**Stark**

(10) **Patent No.:** **US D812,712 S**  
(45) **Date of Patent:** **\*\* Mar. 13, 2018**

(54) **ATTACHMENT CLIP FOR BLADE OF AN ARTIFICIAL FISHING JIG**

4,656,699 A \* 4/1987 Maahs ..... A01K 91/04  
24/601.3  
D393,688 S \* 4/1998 Essad ..... D22/134  
D536,763 S \* 2/2007 Friedrichs ..... D22/134  
D760,866 S 7/2016 Monteleone

(71) Applicant: **Matthew Stark**, Lake Hopatchong, NJ  
(US)

(72) Inventor: **Matthew Stark**, Lake Hopatchong, NJ  
(US)

(\*\*) Term: **15 Years**

(21) Appl. No.: **29/591,180**

(22) Filed: **Jan. 17, 2017**

(51) **LOC (11) Cl.** ..... **22-05**

(52) **U.S. Cl.**  
USPC ..... **D22/134**

(58) **Field of Classification Search**  
USPC ..... D22/134, 144, 126-133; 43/43.1, 44.84,  
43/44.85, 44.92, 42.49; 24/601.8, 131 R,  
24/698.3  
CPC ..... A01K 91/04; A01K 91/053; F16B 2/248  
See application file for complete search history.

(56) **References Cited**

**U.S. PATENT DOCUMENTS**

1,311,499 A \* 7/1919 Darr ..... A01K 91/04  
24/601.3  
4,234,998 A \* 11/1980 McMickle ..... F16B 2/248  
24/601.3

\* cited by examiner

*Primary Examiner* — Catherine Oliver-Garcia  
(74) *Attorney, Agent, or Firm* — Law Offices of Gerard Bilotto, P.C.; Gerard Bilotto

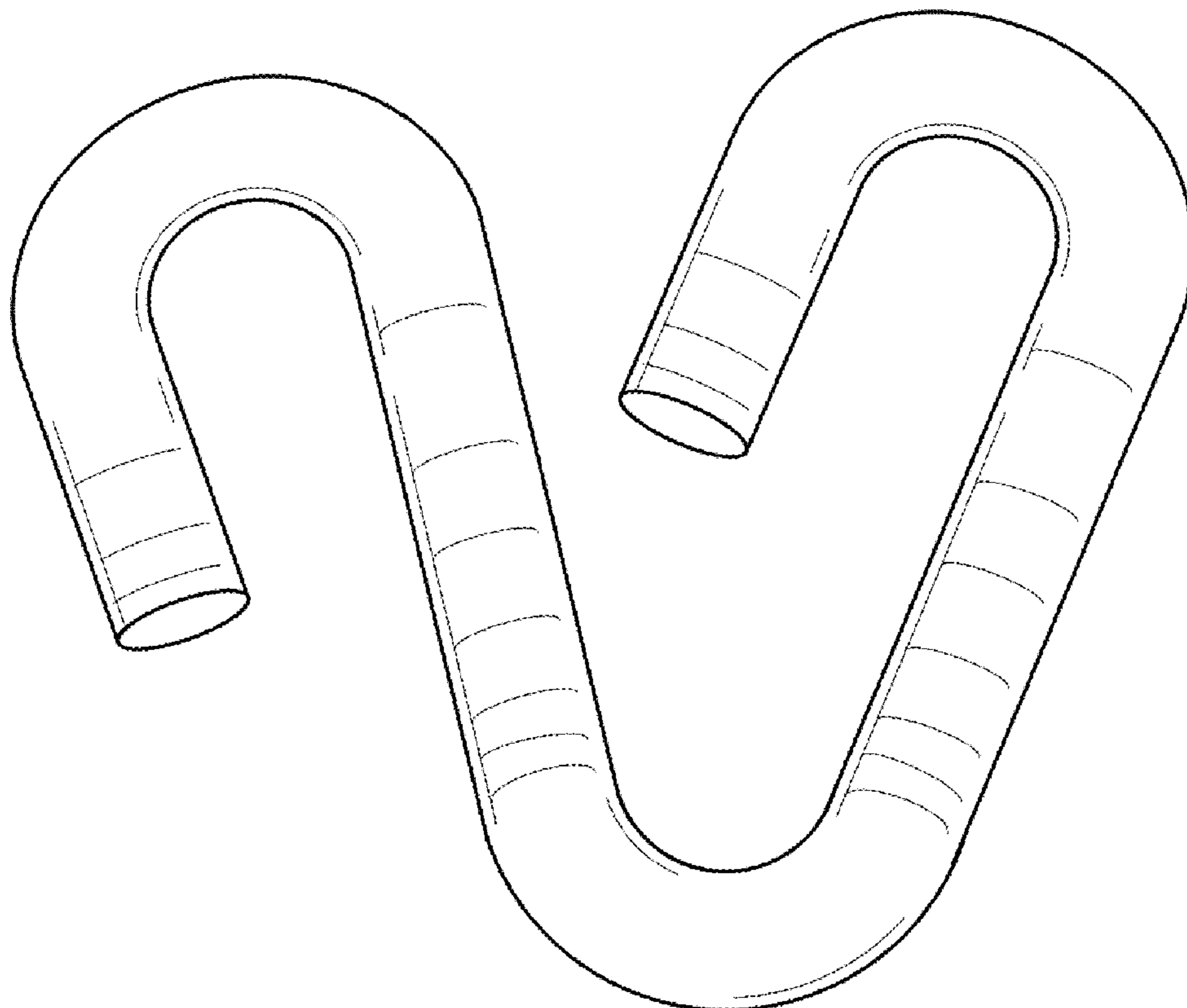
(57) **CLAIM**

The ornamental design for an attachment clip for a blade of an artificial fishing jig, as shown and described.

**DESCRIPTION**

FIG. 1 is a perspective view of the attachment clip for a blade of an artificial fishing jig showing the new design; FIG. 2 is a rear perspective view thereof; FIG. 3 is a front view thereof; FIG. 4 is a rear view thereof; FIG. 5 is a side elevational view thereof; FIG. 6 is a top plain view thereof; and, FIG. 7 is a bottom plain view thereof.

**1 Claim, 4 Drawing Sheets**



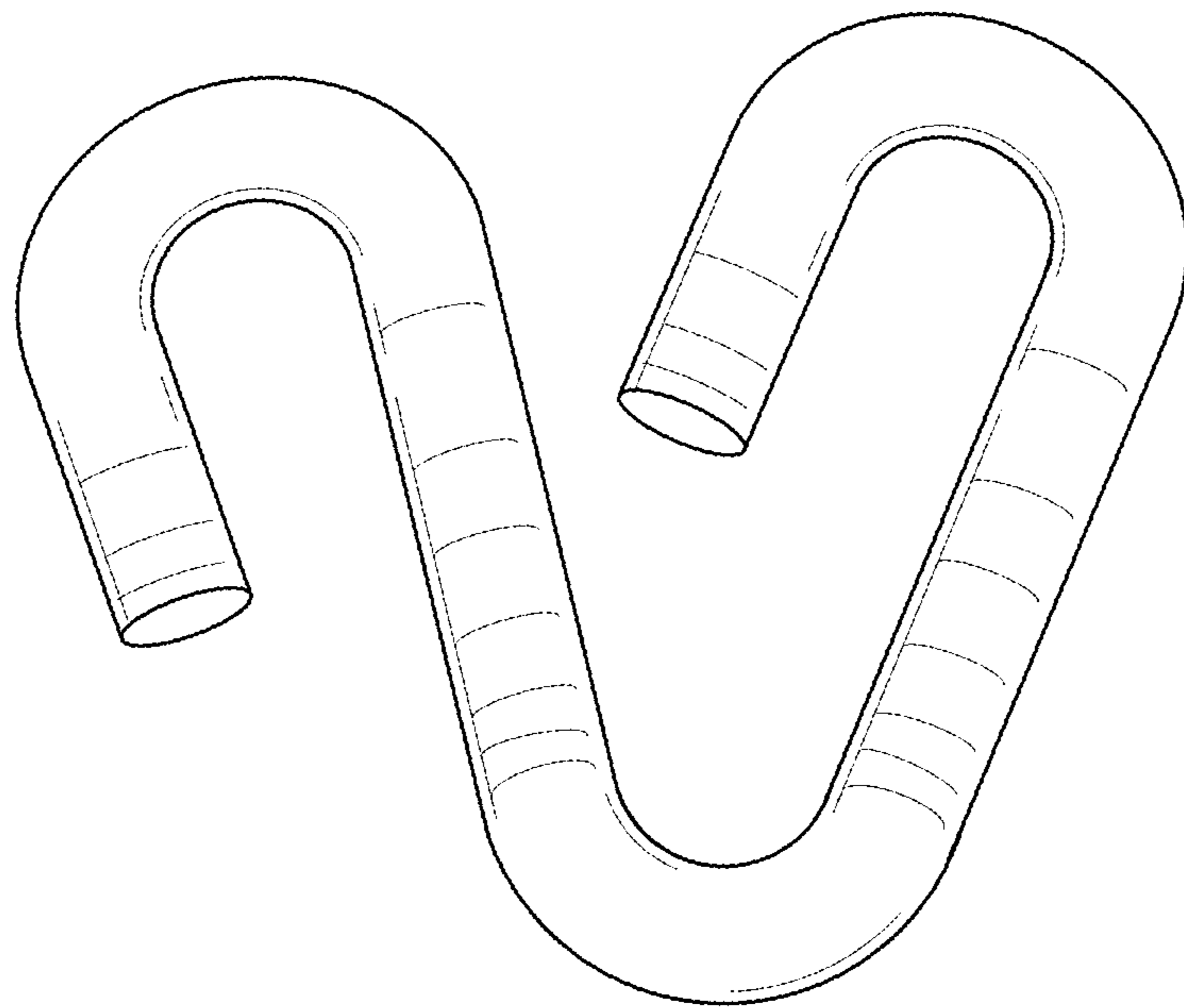


FIG. 1

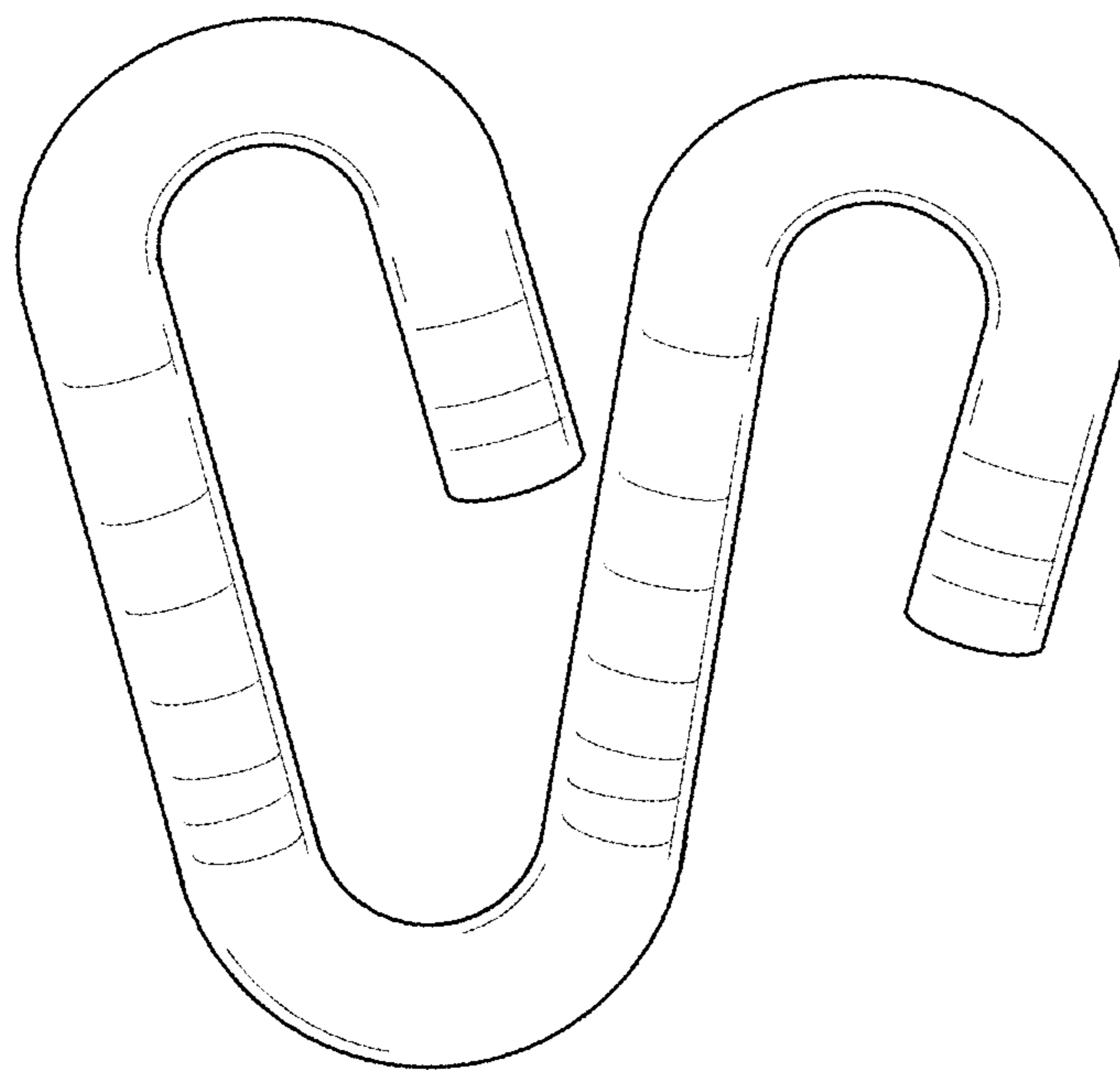


FIG. 2

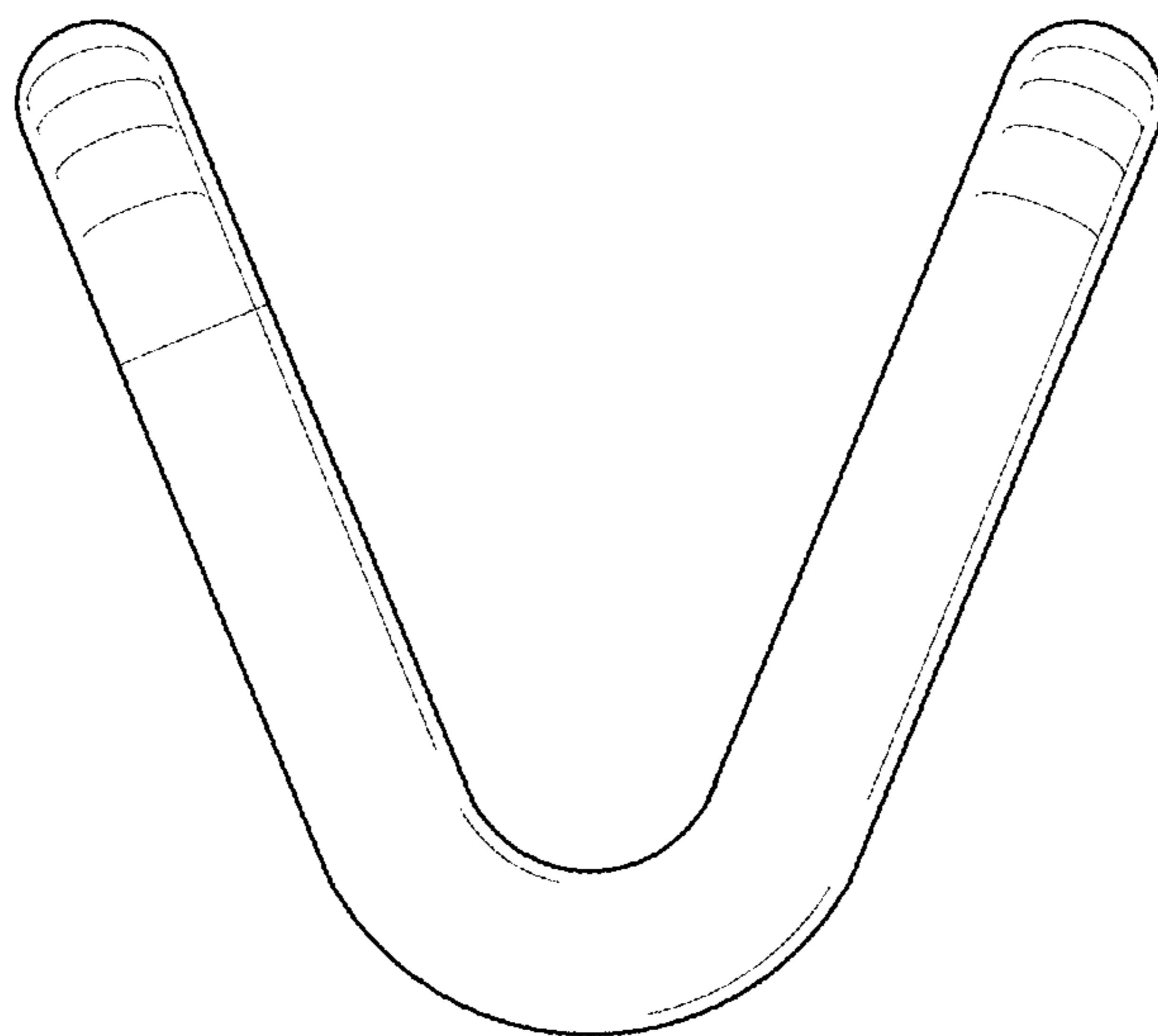


FIG. 3

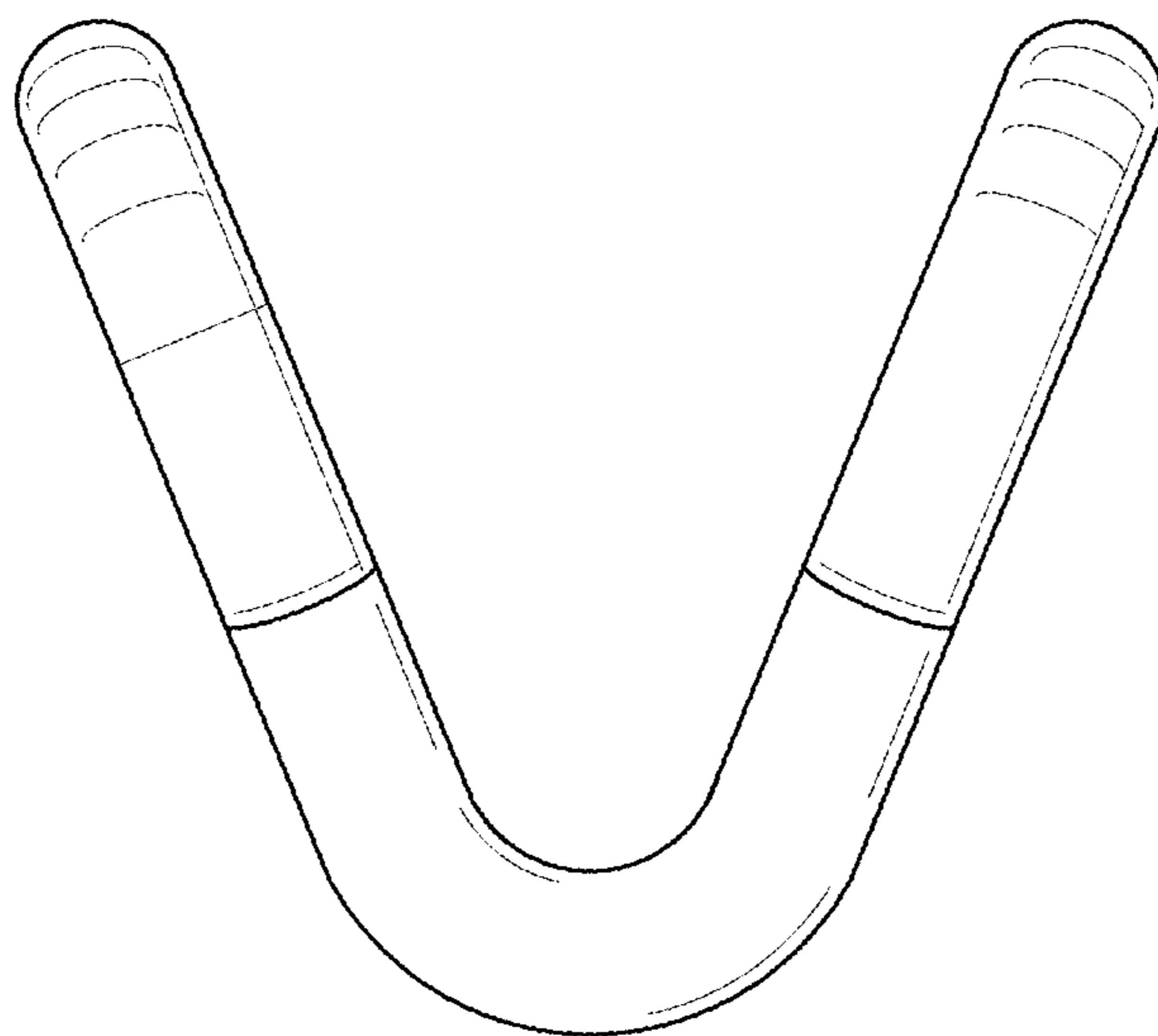


FIG. 4

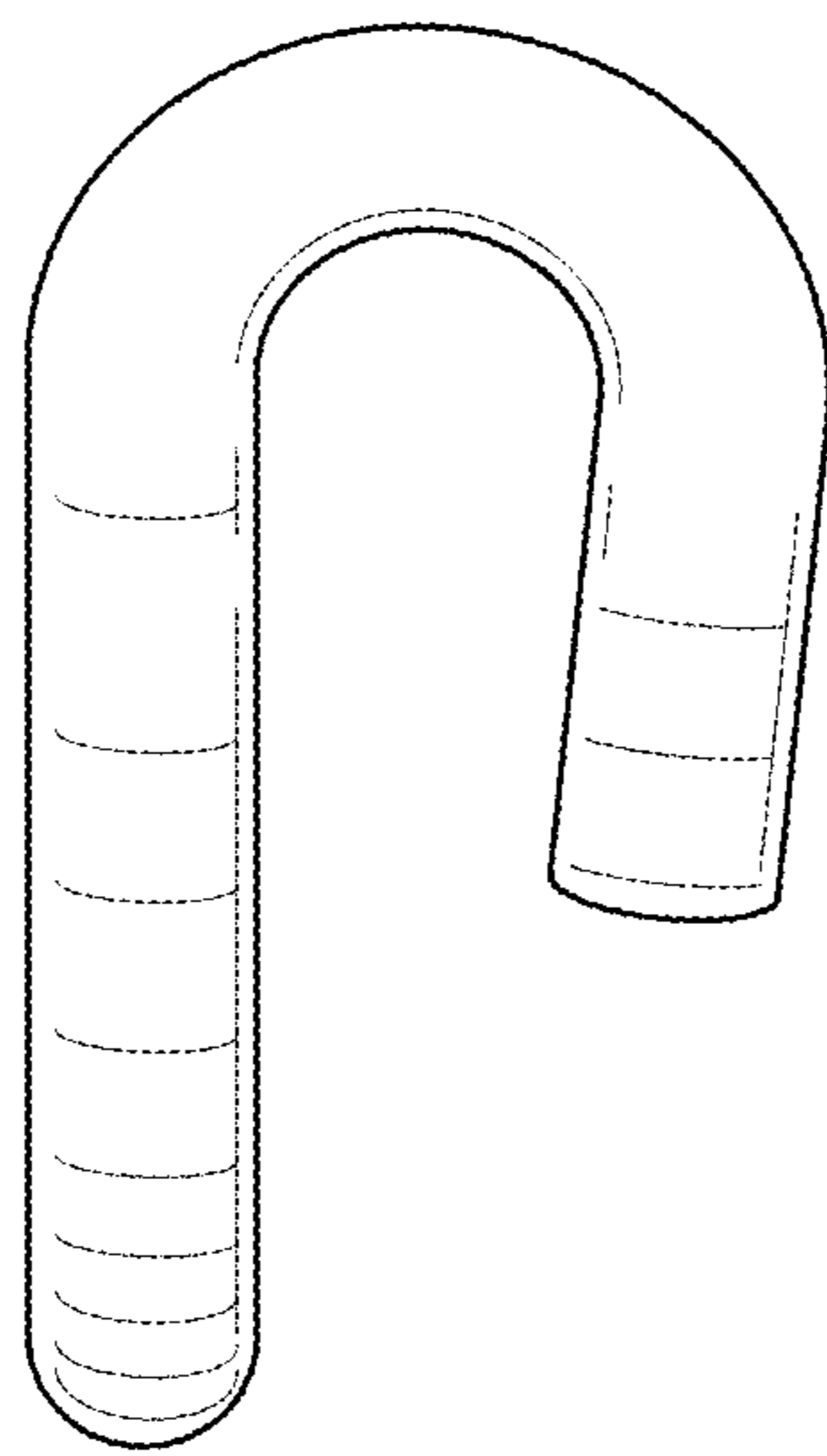


FIG. 5

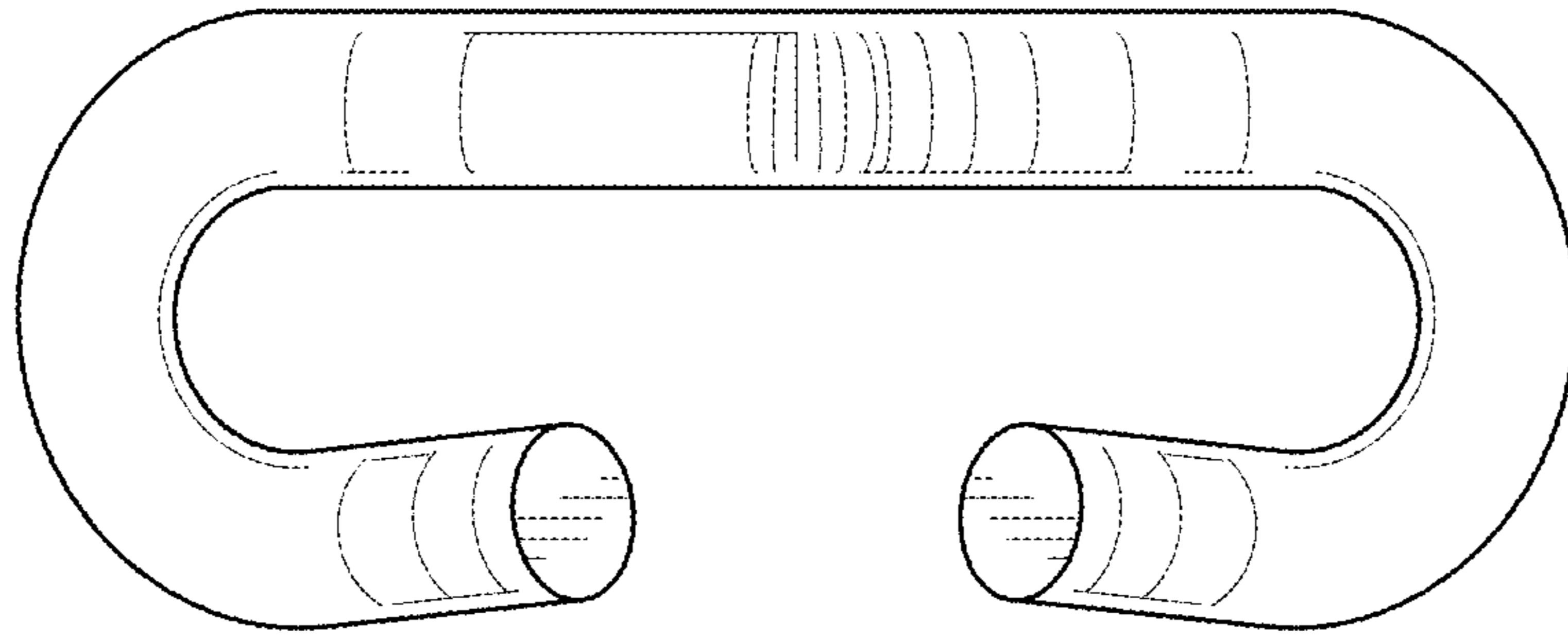


FIG. 6

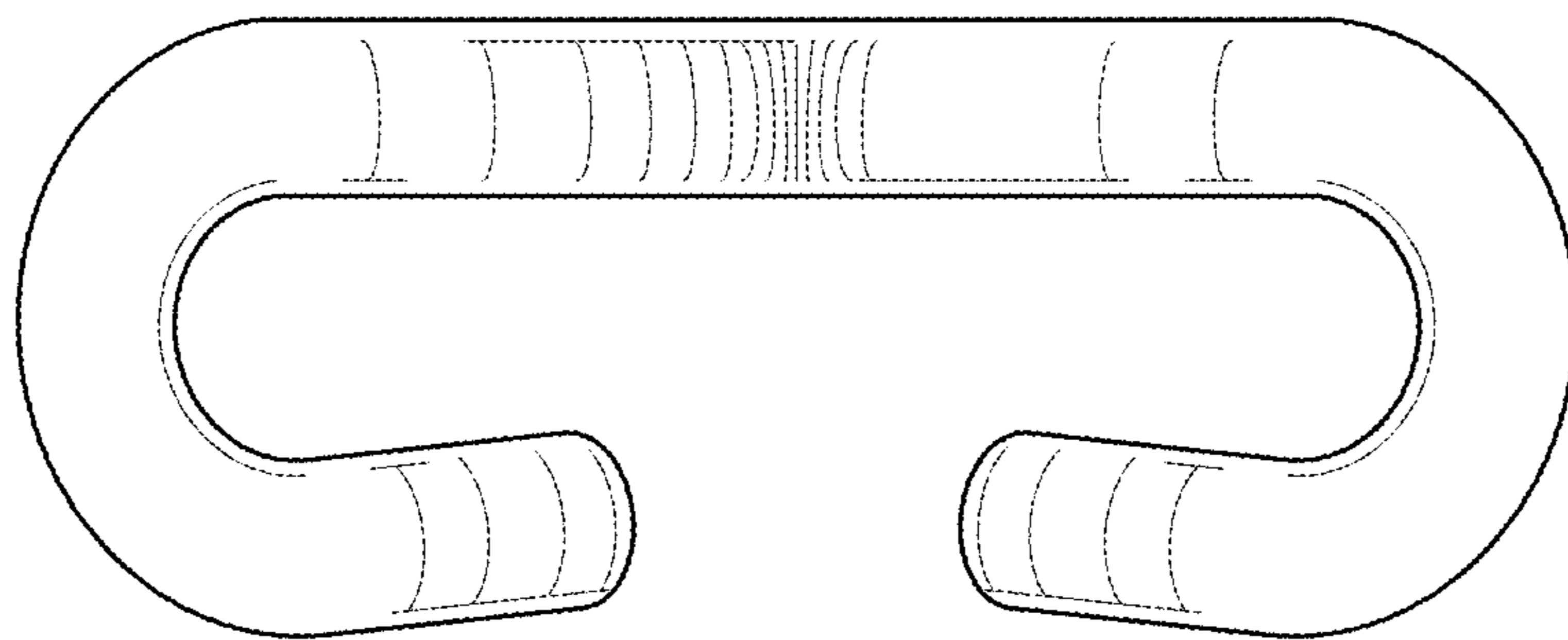


FIG. 7