



US00D812710S

(12) **United States Design Patent**
Lesniak

(10) **Patent No.:** **US D812,710 S**
(45) **Date of Patent:** **** Mar. 13, 2018**

(54) **FLYING INSECT TRAP**

(71) Applicant: **Enterprises of CC, Inc.**, Media, PA (US)

(72) Inventor: **Frank M. Lesniak**, Media, PA (US)

(73) Assignee: **Enterprises of CC, Inc.**, Media, PA (US)

(**) Term: **15 Years**

(21) Appl. No.: **29/564,398**

(22) Filed: **May 12, 2016**

(51) **LOC (11) Cl.** **22-06**

(52) **U.S. Cl.**
USPC **D22/122**

(58) **Field of Classification Search**
USPC D22/122; D6/534; D7/509, 591;
D9/453
CPC A01M 1/2016
See application file for complete search history.

(56) **References Cited**

U.S. PATENT DOCUMENTS

D478,230 S *	8/2003	Dretzka	D6/534
D527,069 S *	8/2006	Hiscox	D22/122
D673,641 S *	1/2013	Robinson	D22/122
D673,642 S *	1/2013	Robinson	D22/122
D772,013 S *	11/2016	O'Connor	D7/509
D773,844 S *	12/2016	Dzugan	D6/534
2006/0042154 A1 *	3/2006	Rich	A01M 1/02 43/107

* cited by examiner

Primary Examiner — Karen S Acker

Assistant Examiner — Steven B Reinholdt, Jr.

(74) *Attorney, Agent, or Firm* — Rogowski Law LLC

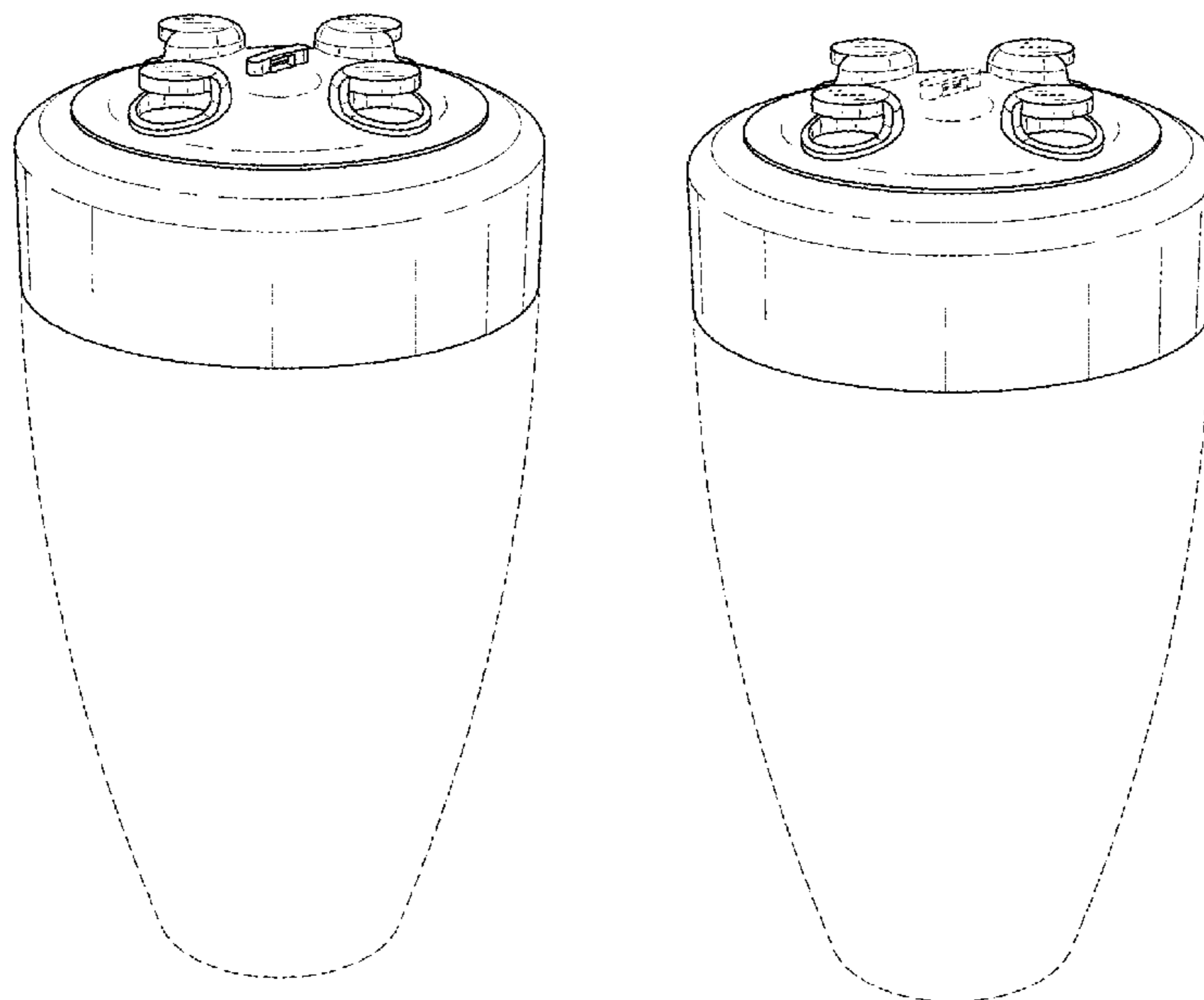
(57) **CLAIM**

The ornamental design for a flying insect trap, as shown and described.

DESCRIPTION

FIG. 1 is a right front perspective view of a first variant of a flying insect trap;
 FIG. 2 is a top plan view of the flying insect trap of FIG. 1;
 FIG. 3 is a bottom plan view of the flying insect trap of FIG. 1;
 FIG. 4 is a front elevational view of the flying insect trap of FIG. 1;
 FIG. 5 is a rear elevational view of the flying insect trap of FIG. 1;
 FIG. 6 is a left side elevational view of the flying insect trap of FIG. 1;
 FIG. 7 is a right side elevational view of the flying insect trap of FIG. 1;
 FIG. 8 is a right front perspective view of a second variant of a flying insect trap;
 FIG. 9 is a top plan view of the flying insect trap of FIG. 8;
 FIG. 10 is a bottom plan view of the flying insect trap of FIG. 8;
 FIG. 11 is a front elevational view of the flying insect trap of FIG. 8;
 FIG. 12 is a rear elevational view of the flying insect trap of FIG. 8;
 FIG. 13 is a left side elevational view of the flying insect trap of FIG. 8; and,
 FIG. 14 is a right side elevational view of the flying insect trap of FIG. 8.
 The broken lines shown in the drawings illustrate portions of the flying insect trap that form no part of the claimed design.

1 Claim, 6 Drawing Sheets



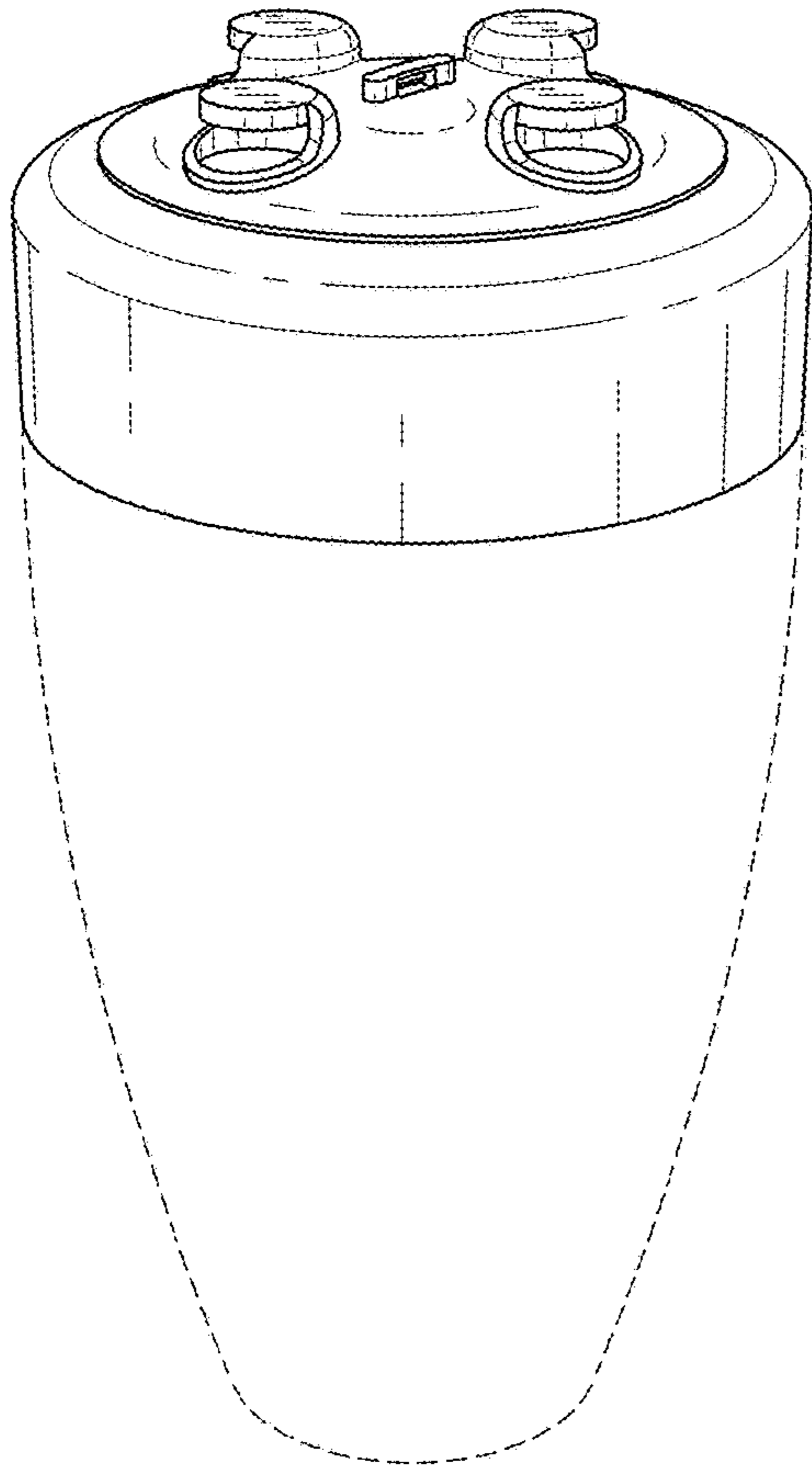


FIG. 1

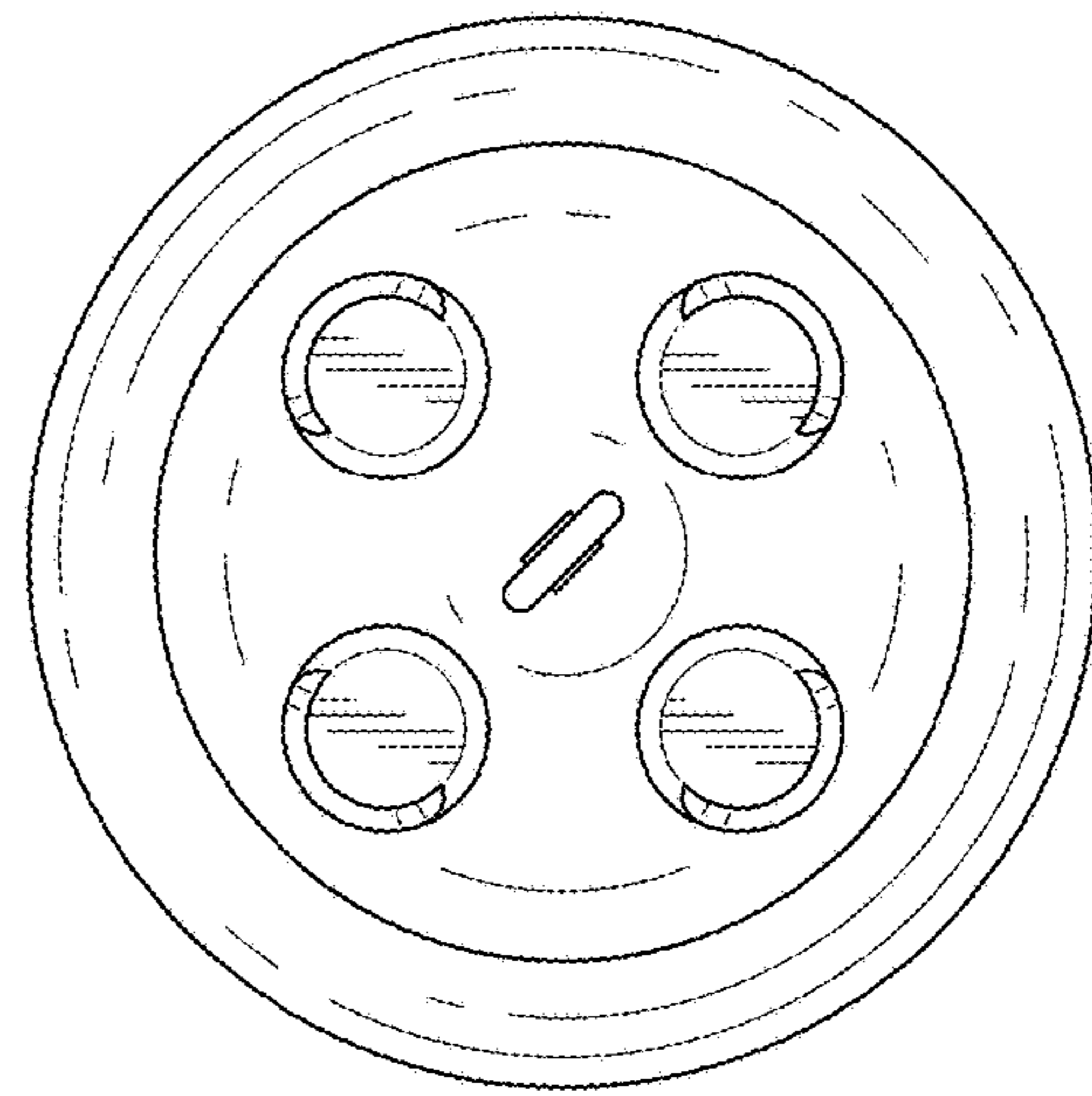


FIG. 2

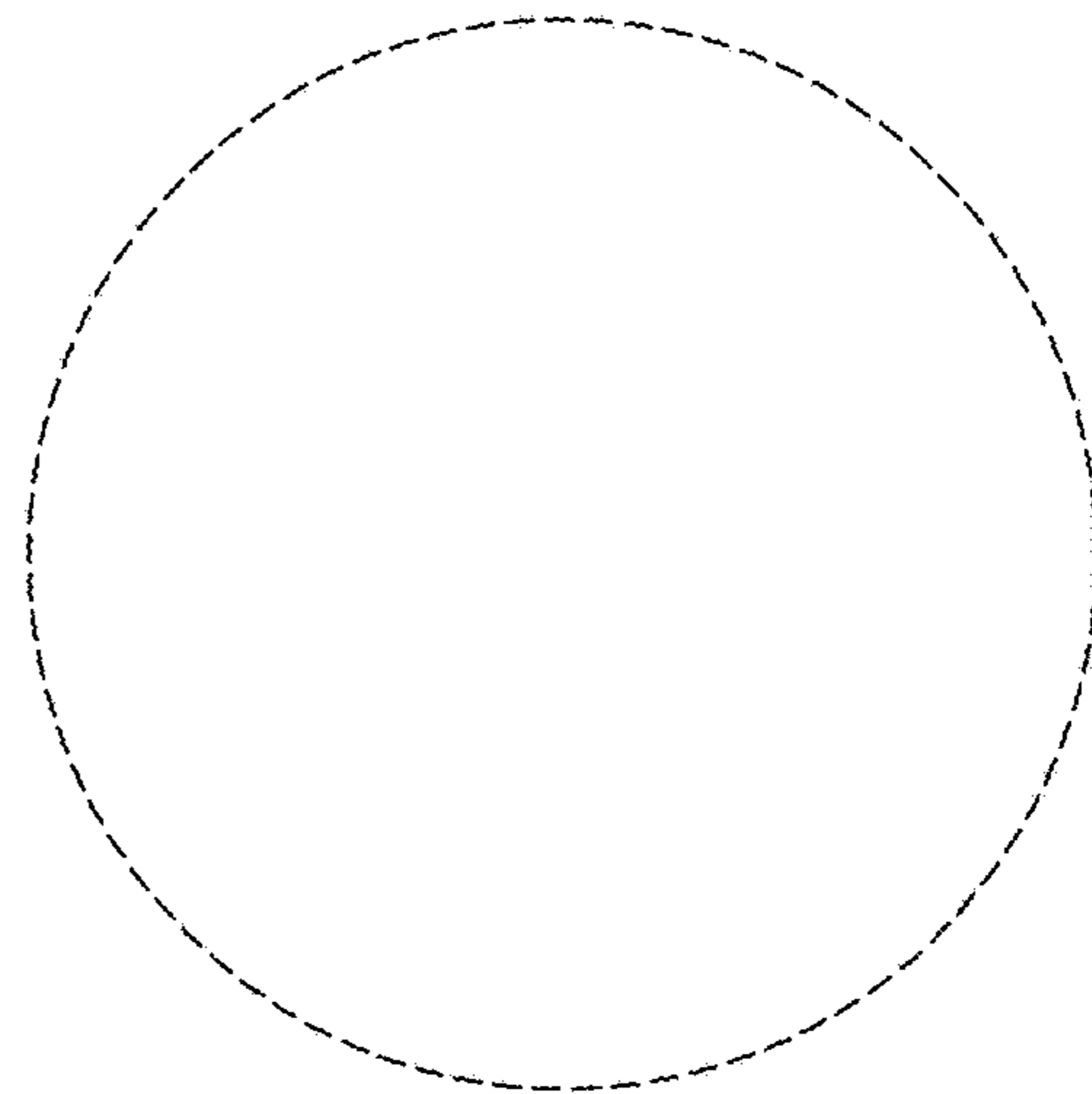


FIG. 3

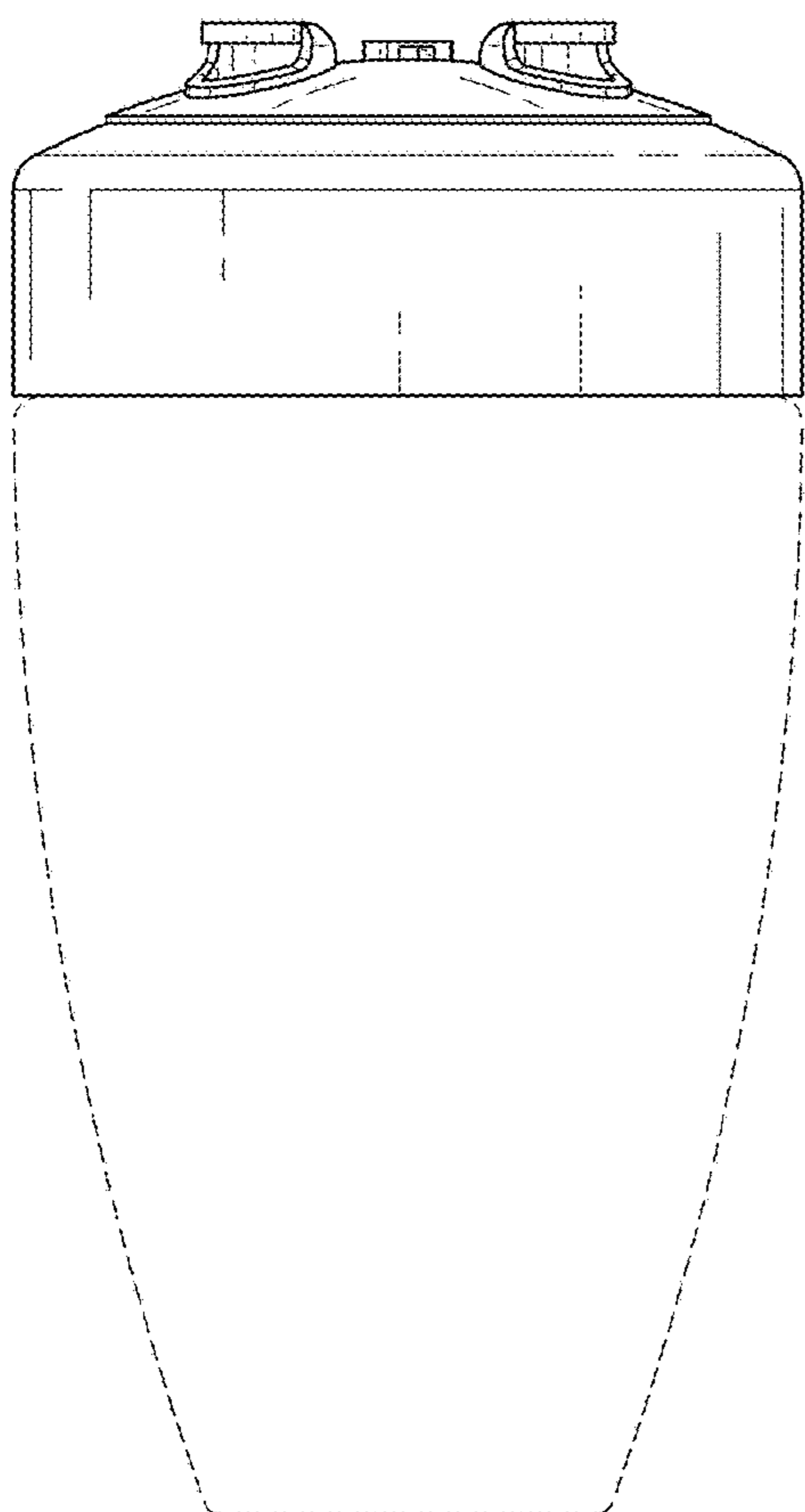


FIG. 4

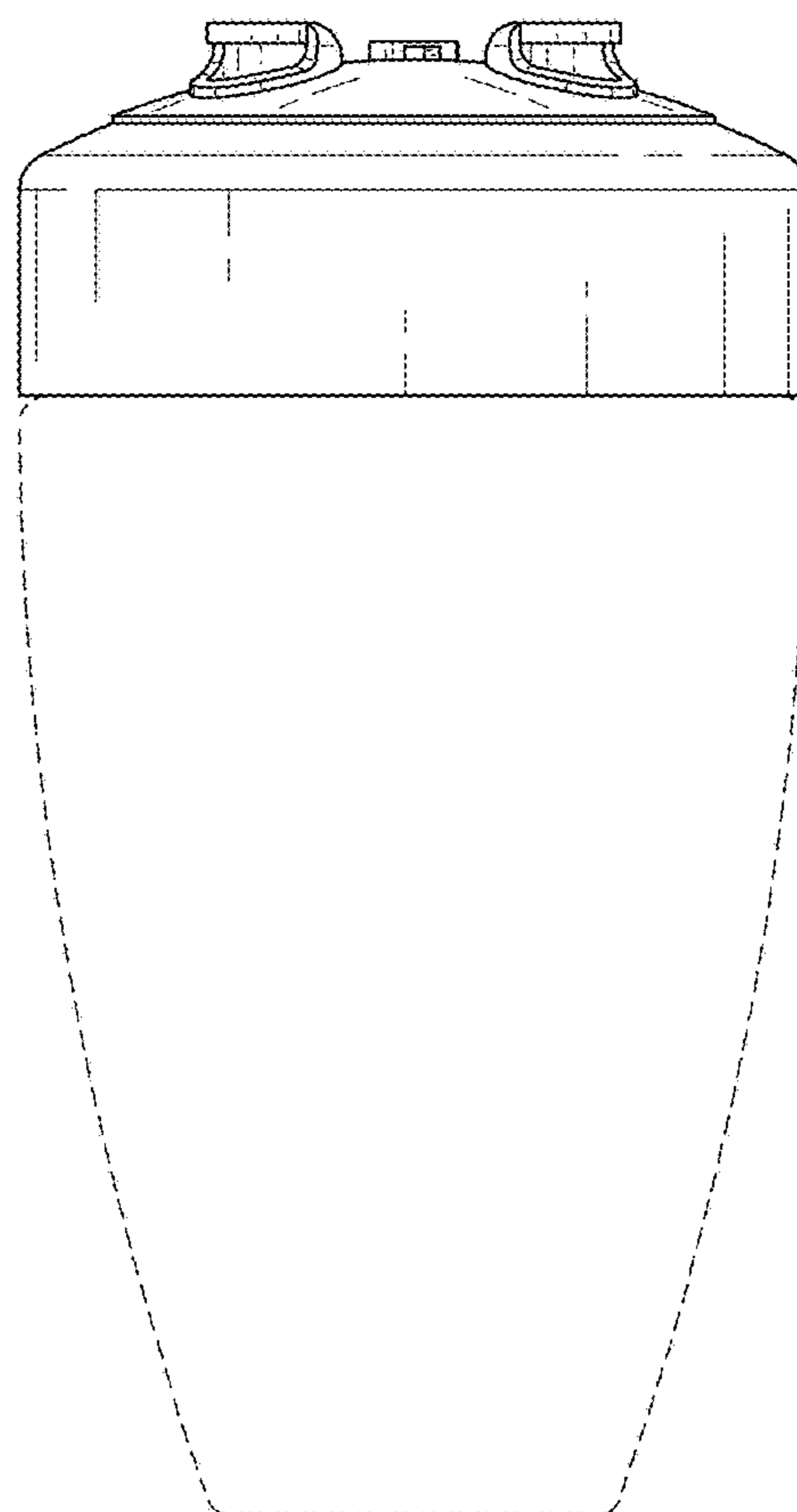


FIG. 5

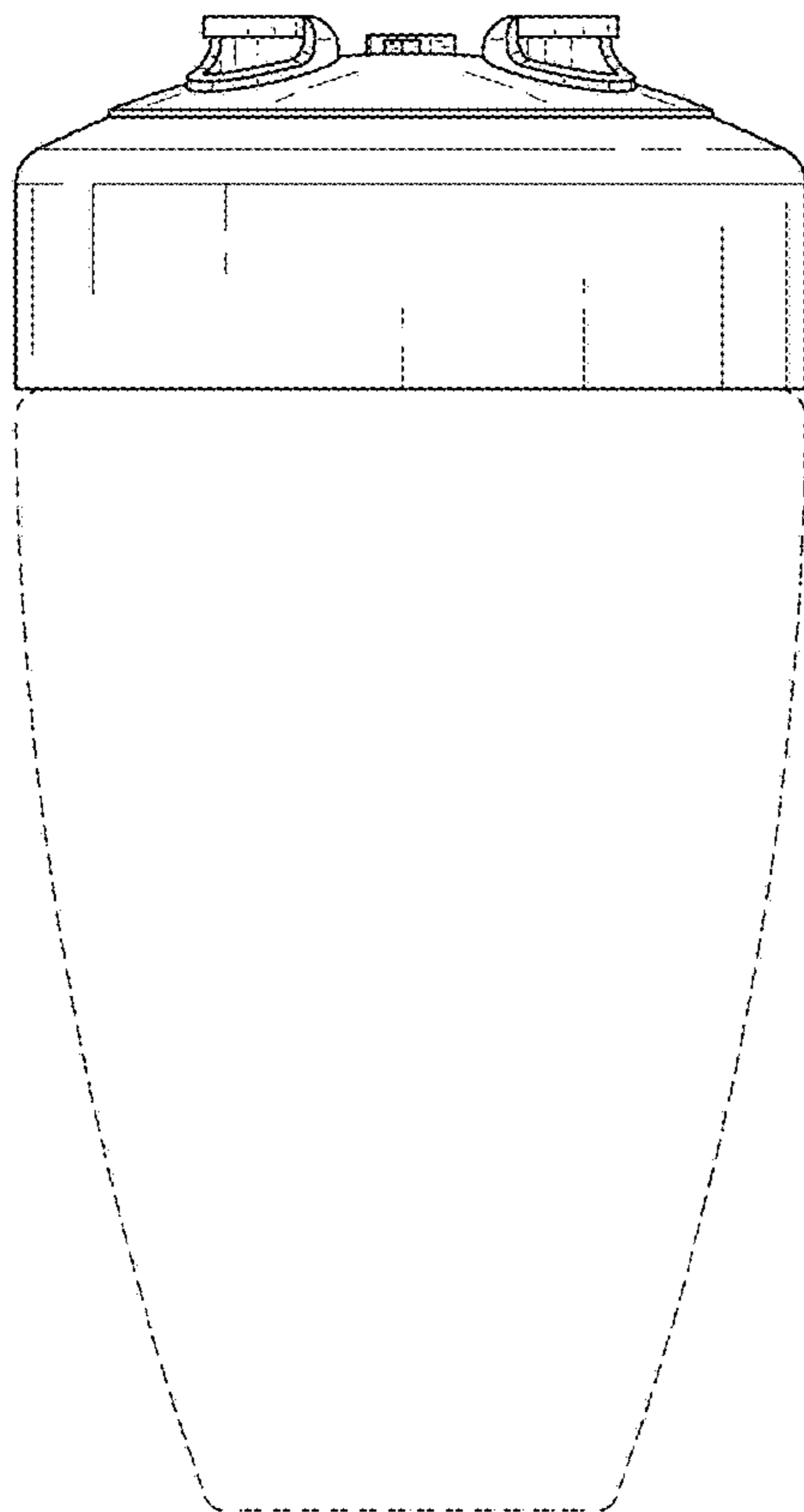


FIG. 6

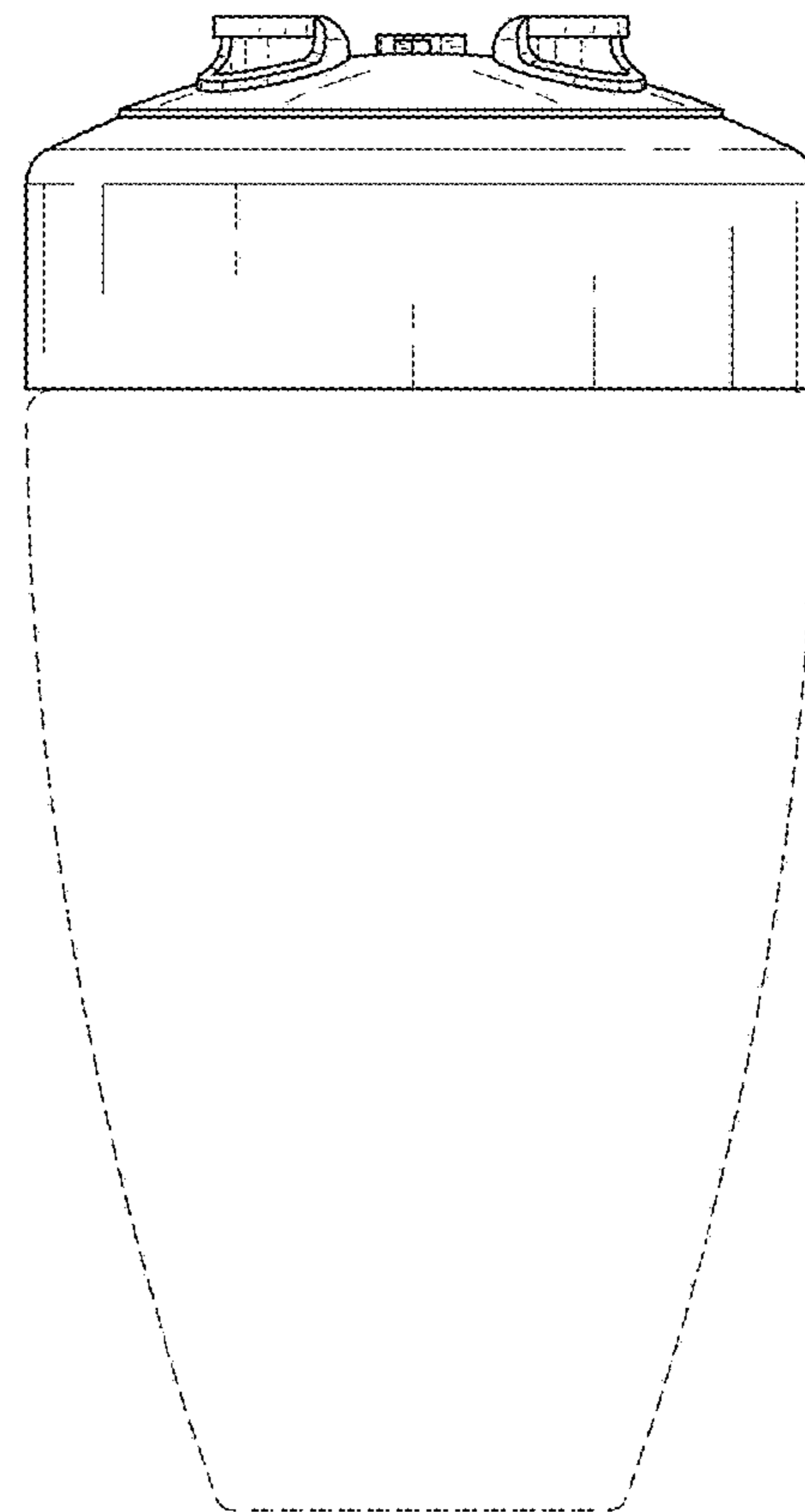


FIG. 7

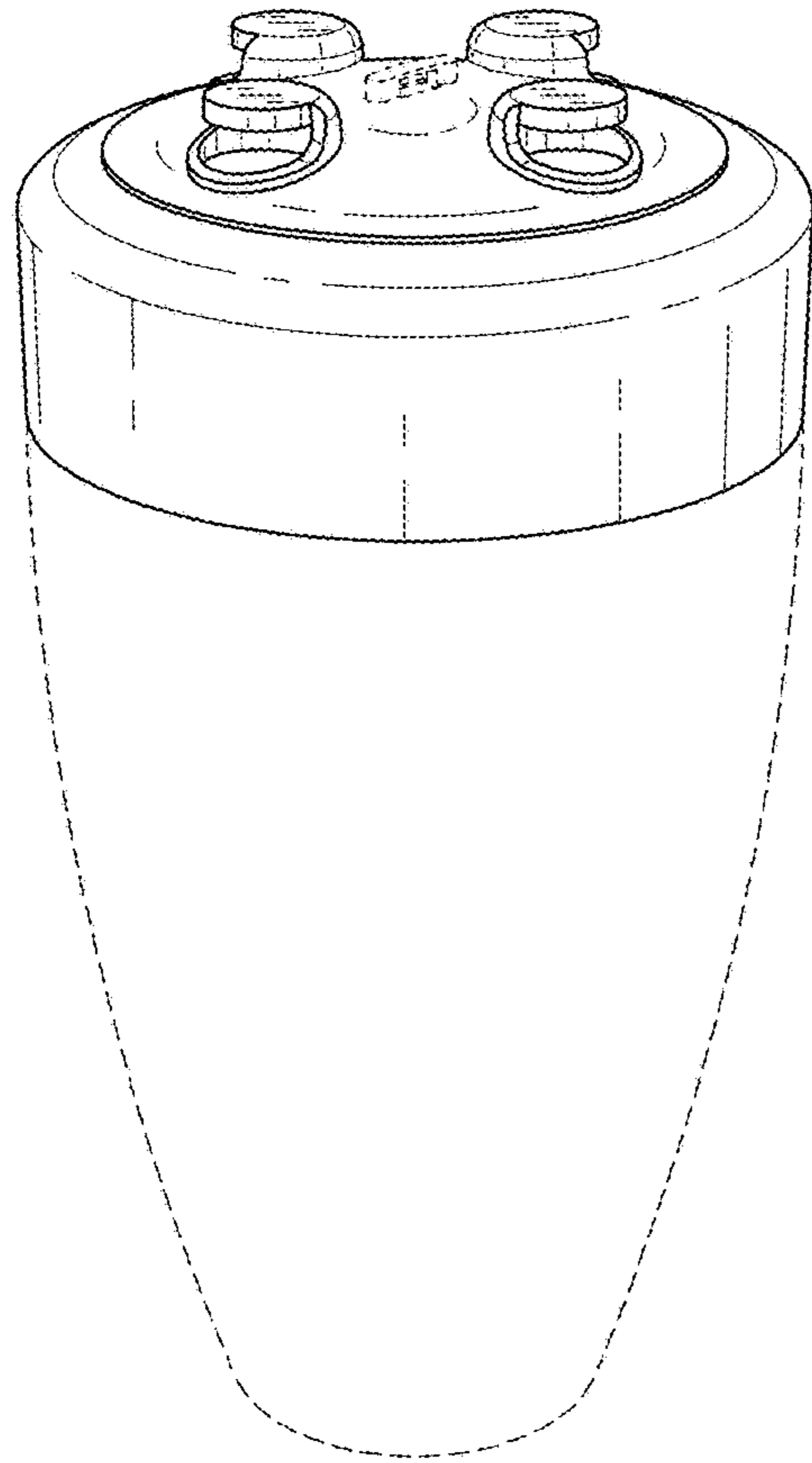


FIG. 8

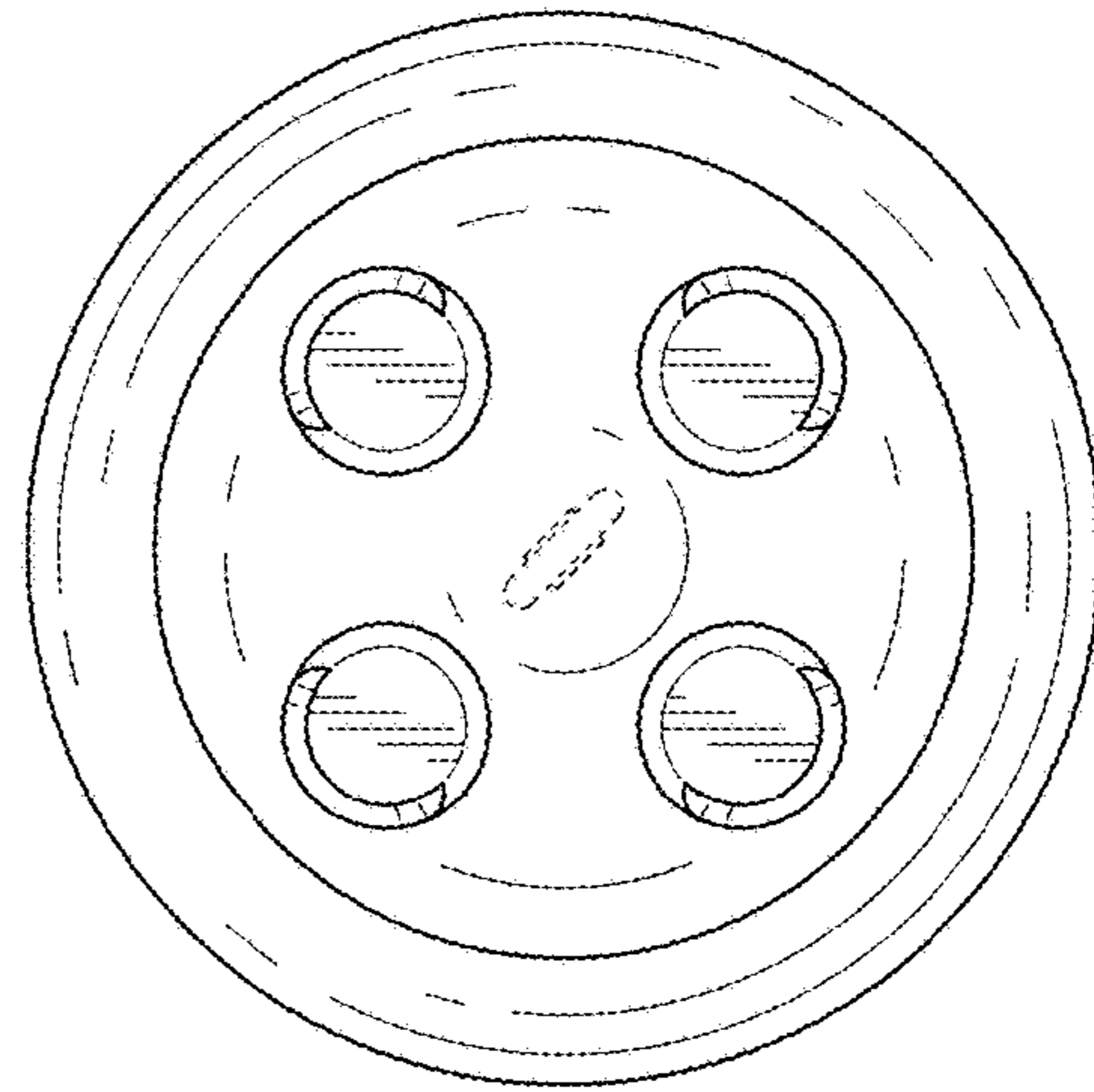


FIG. 9

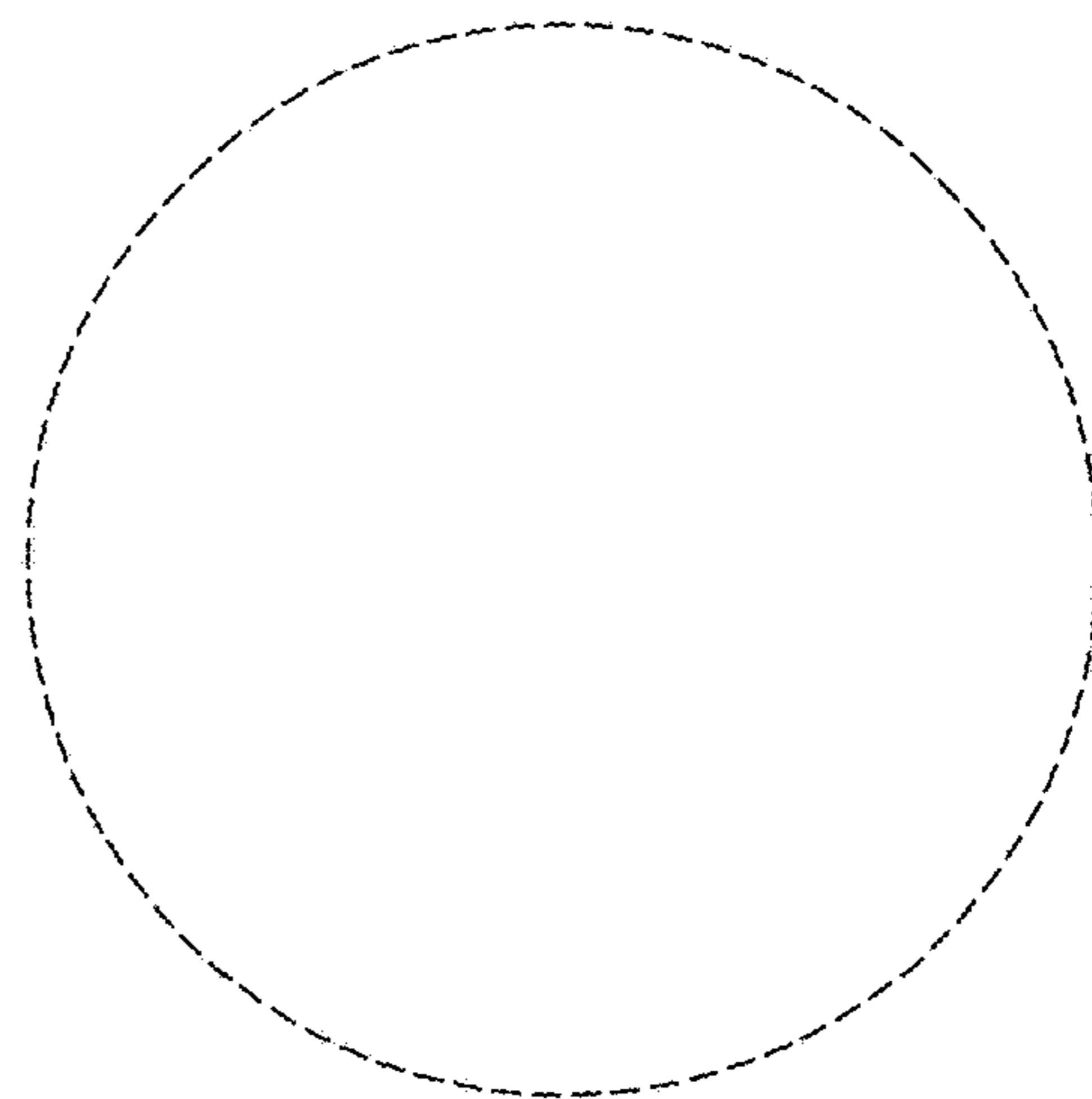


FIG. 10

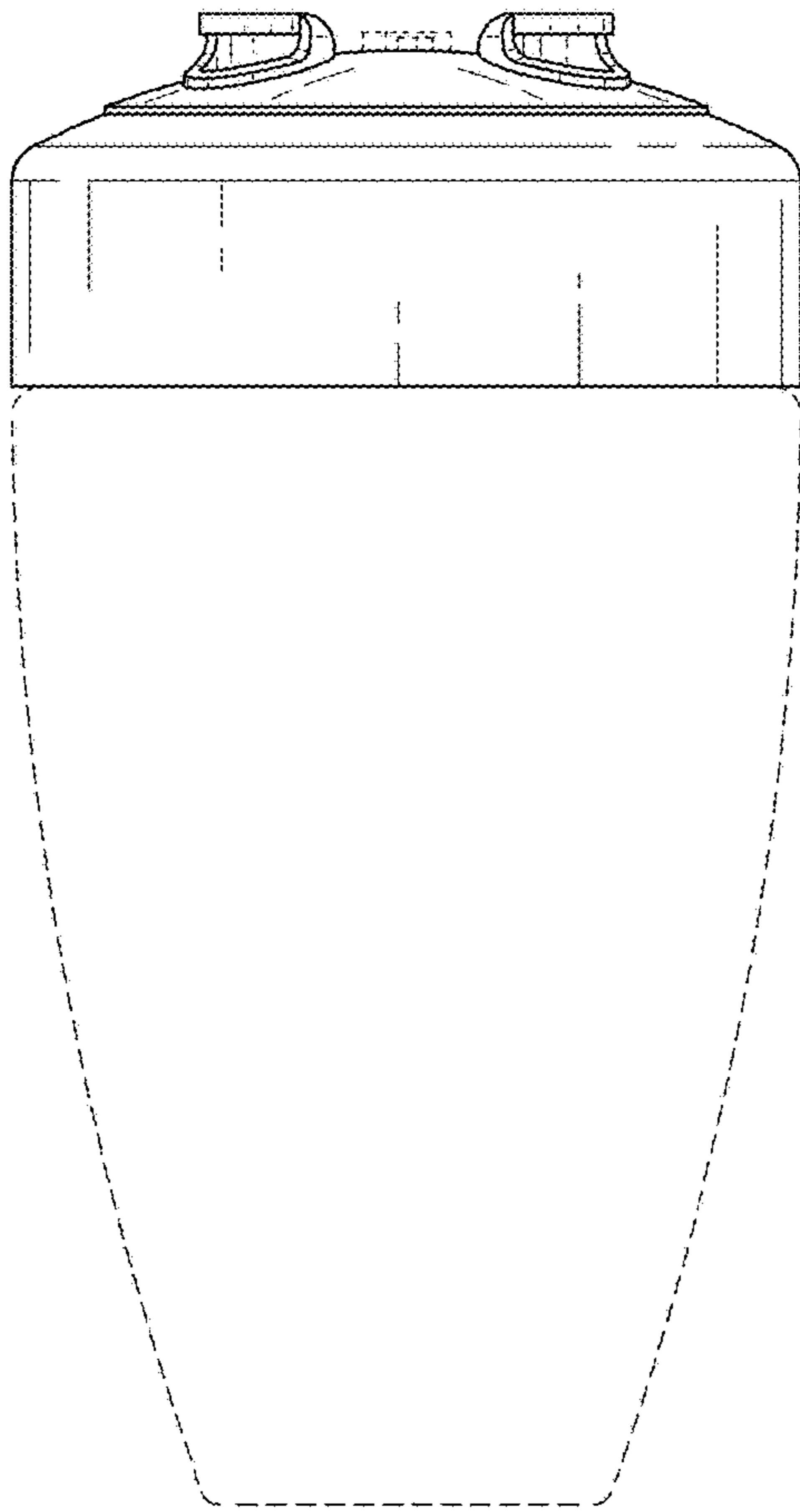


FIG. 11

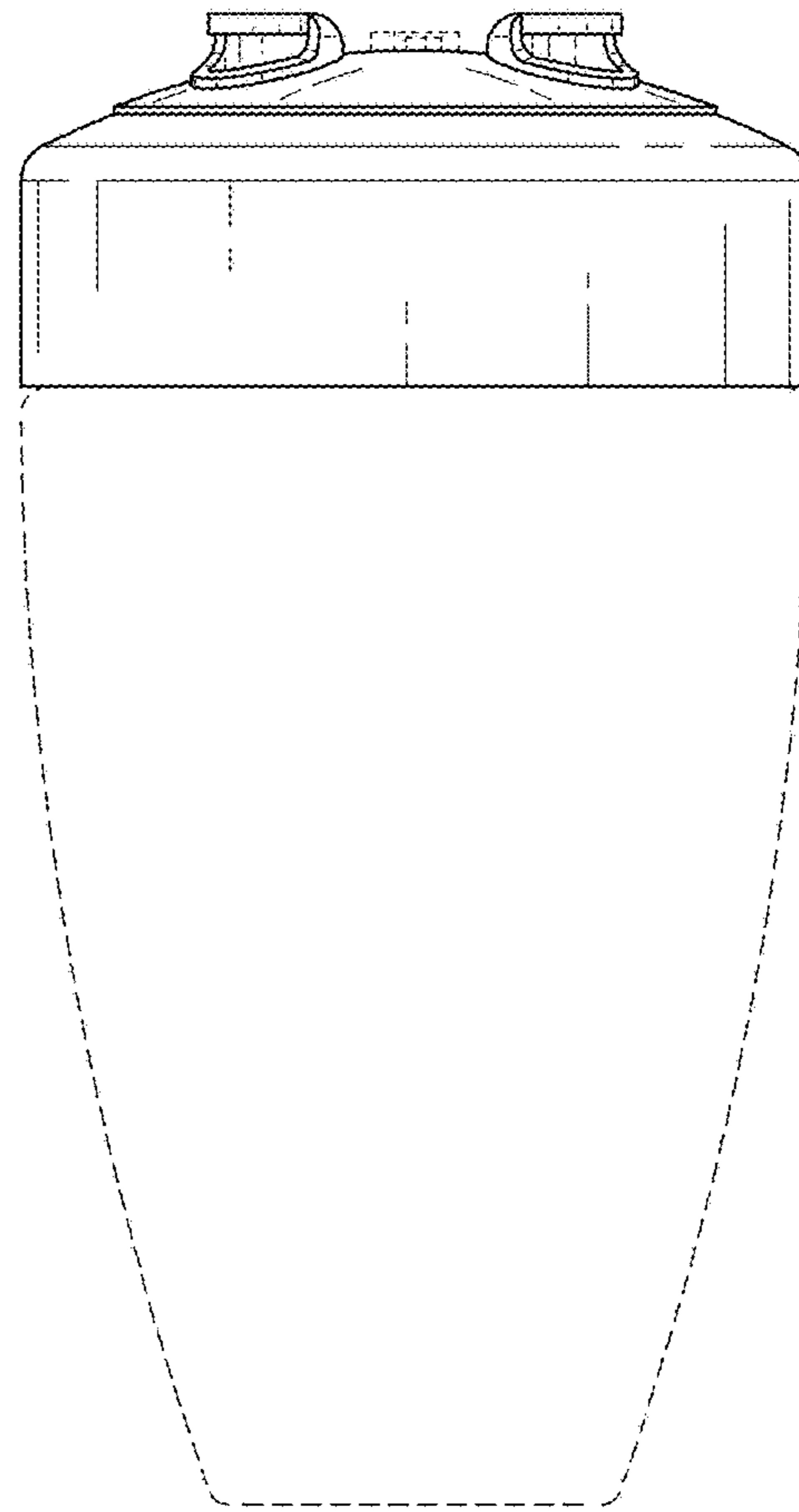


FIG. 12

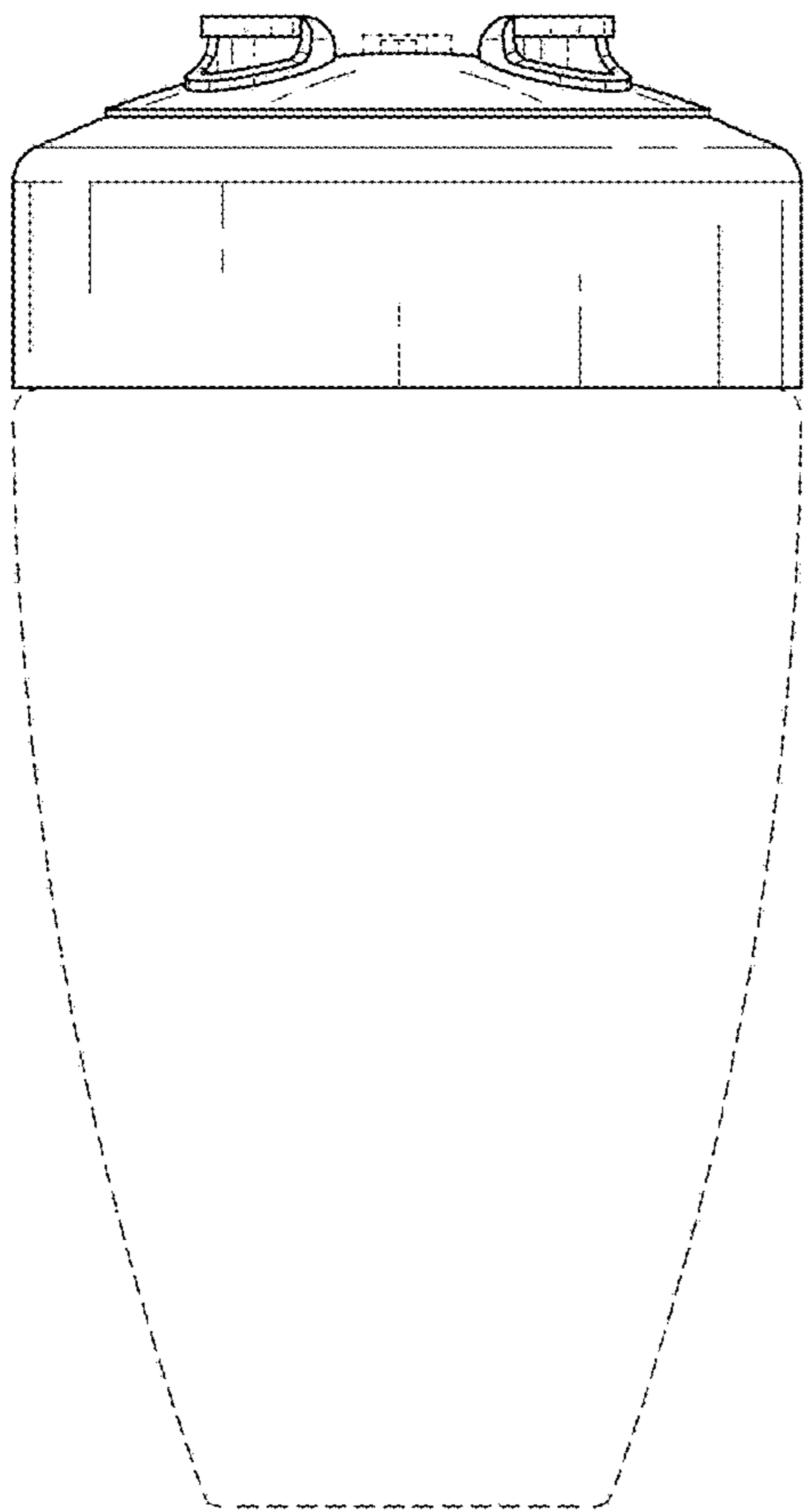


FIG. 13

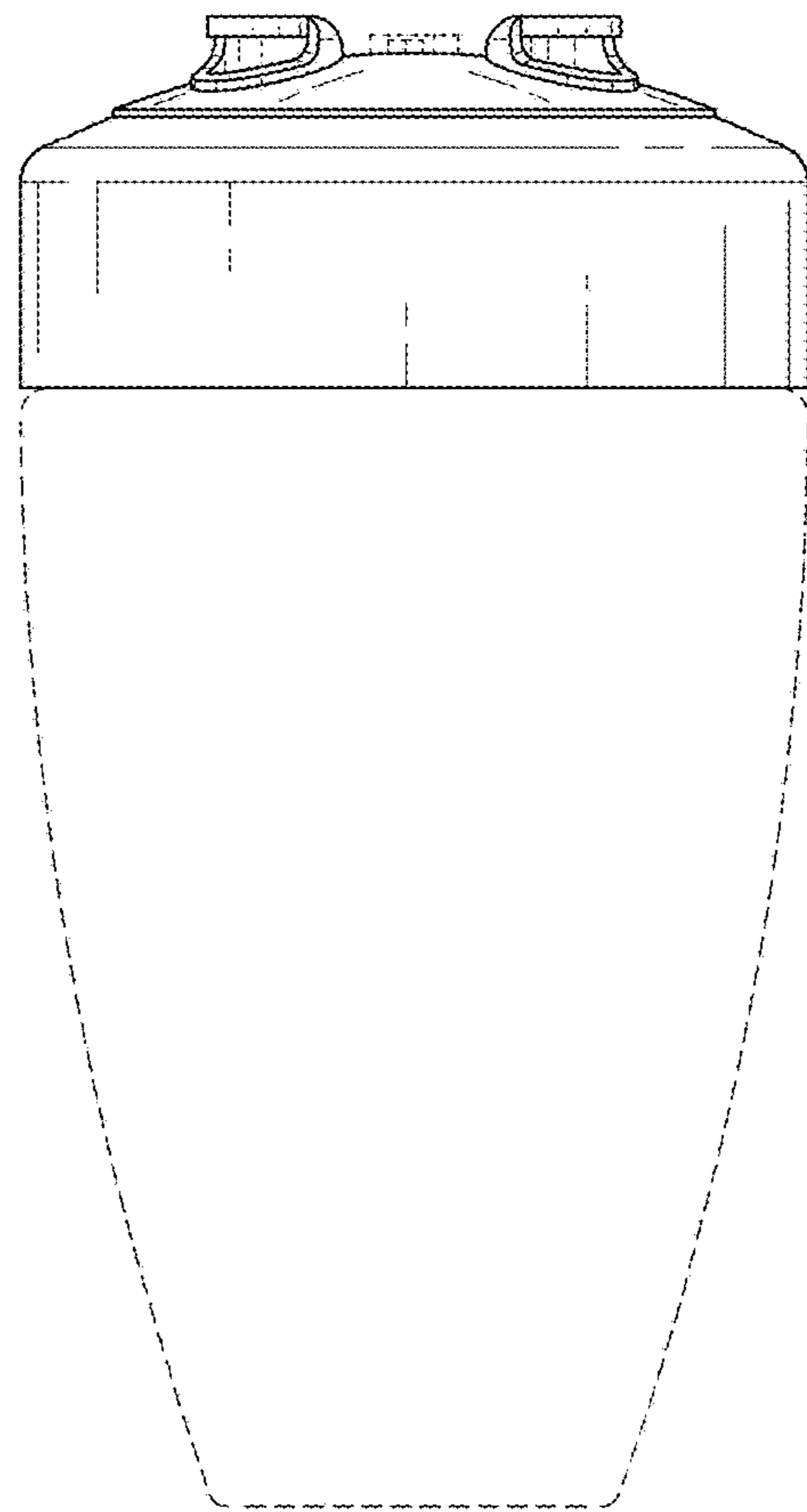


FIG. 14