



US00D812709S

(12) **United States Design Patent**  
**Han**

(10) **Patent No.:** **US D812,709 S**  
(45) **Date of Patent:** **\*\* Mar. 13, 2018**

(54) **RING STUN GUN**

(71) Applicant: **Cutting Edge Products, Inc.**,  
Winterville, NC (US)

(72) Inventor: **Bin Han**, Shandong (CN)

(73) Assignee: **Cutting Edge Products, Inc.**,  
Winterville, NC (US)

(\*\*) Term: **15 Years**

(21) Appl. No.: **29/577,720**

(22) Filed: **Sep. 15, 2016**

(51) **LOC (11) Cl.** ..... **22-02**

(52) **U.S. Cl.**  
USPC ..... **D22/117**

(58) **Field of Classification Search**  
USPC ..... D22/117; D11/26; D14/344; D24/167,  
D24/215  
CPC ..... A45F 2200/0566; A61F 5/41; A61B 5/00  
See application file for complete search history.

(56) **References Cited**

**U.S. PATENT DOCUMENTS**

5,524,638	A *	6/1996	Lyons	.....	A61F 5/41 128/844
D581,544	S *	11/2008	Adams	.....	D24/105
D622,627	S *	8/2010	Daniel	.....	D11/26
D627,888	S *	11/2010	Leu	.....	D24/167
D636,835	S *	4/2011	Fitzpatrick	.....	D22/108
D706,438	S *	6/2014	Hahr	.....	D24/215
D773,066	S *	11/2016	Sedic	.....	D24/215
D781,850	S *	3/2017	Tago	.....	D11/26

**OTHER PUBLICATIONS**

Cutting Edge Products, Streetwise Sting Ring, Earliest publication date found using Wayback Machine Feb. 5, 2016, [Site visited Aug. 3, 2017], Available on the Internet URL [https://web.archive.org/web/20160205071447/https://www.cuttingedgeproducts.net/?I=product\\_detail&p=1215](https://web.archive.org/web/20160205071447/https://www.cuttingedgeproducts.net/?I=product_detail&p=1215).\*

\* cited by examiner

*Primary Examiner* — Karen S Acker

*Assistant Examiner* — Steven B Reinholdt, Jr.

(74) *Attorney, Agent, or Firm* — Mitchell Law PLLC;  
Matthew W. Mitchell

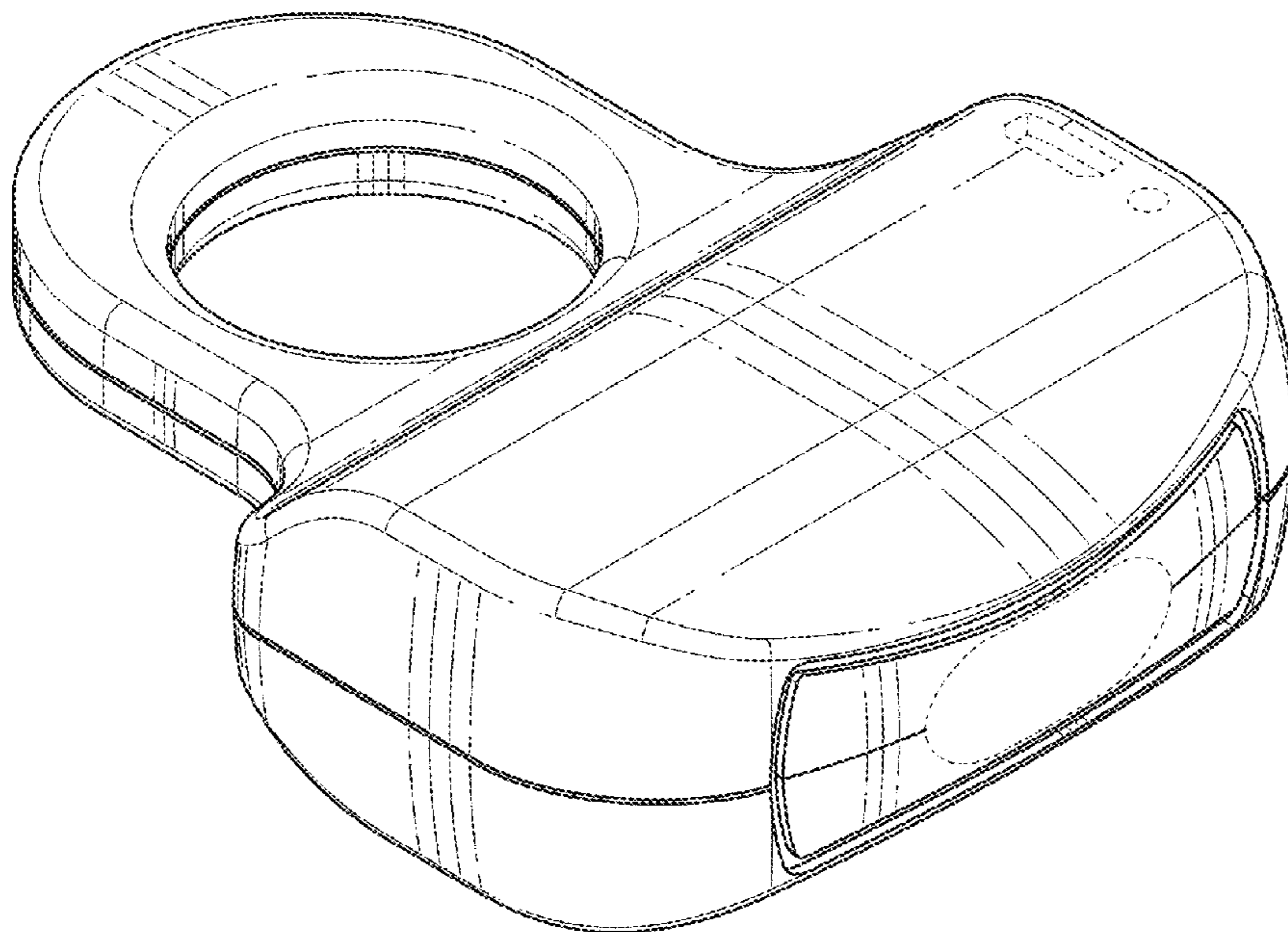
(57) **CLAIM**

The ornamental design for a ring stun gun, as shown and described.

**DESCRIPTION**

FIG. 1 is a front isometric view of the ring stun gun of the present invention;  
FIG. 2 is a side view of the design of FIG. 1, as seen from the left side of FIG. 6;  
FIG. 3 is a side view of the design of FIG. 1, as seen from the right side of FIG. 6;  
FIG. 4 is a top plan view in elevation of the design of FIG. 1;  
FIG. 5 is a bottom plan view of the design of FIG. 1;  
FIG. 6 is a front view of the design of FIG. 1; and,  
FIG. 7 is a rear view of the design of FIG. 1.  
The broken lines in the figures depict portions of the ring stun gun that form no part of the claimed design.

**1 Claim, 5 Drawing Sheets**



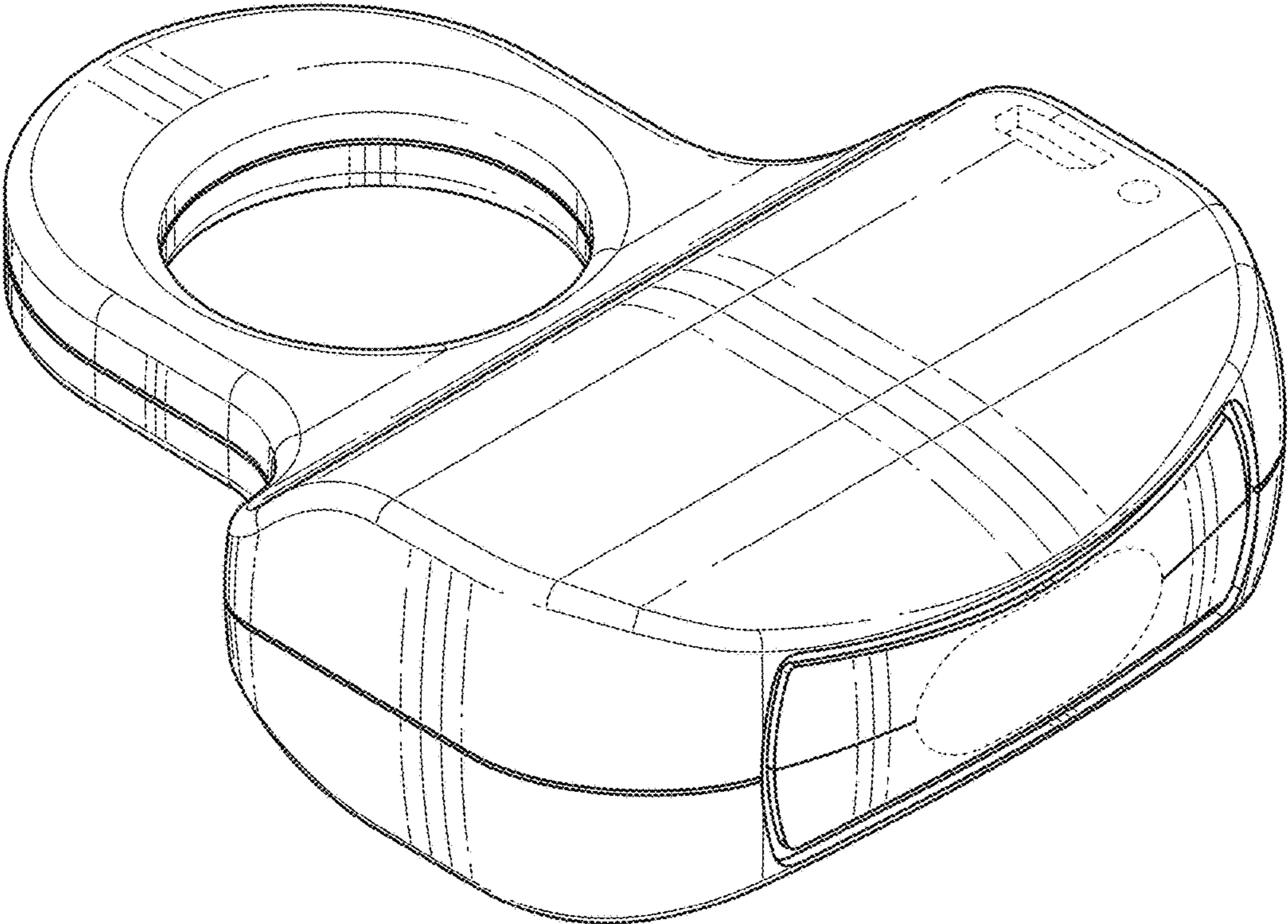


FIG. 1

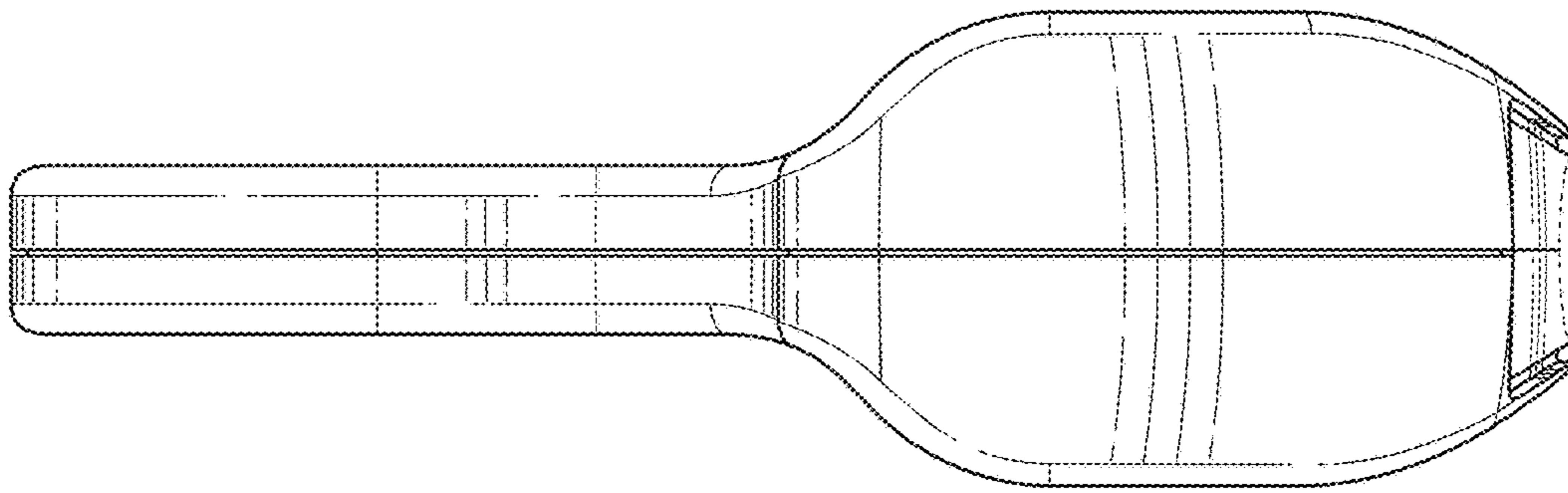


FIG. 2

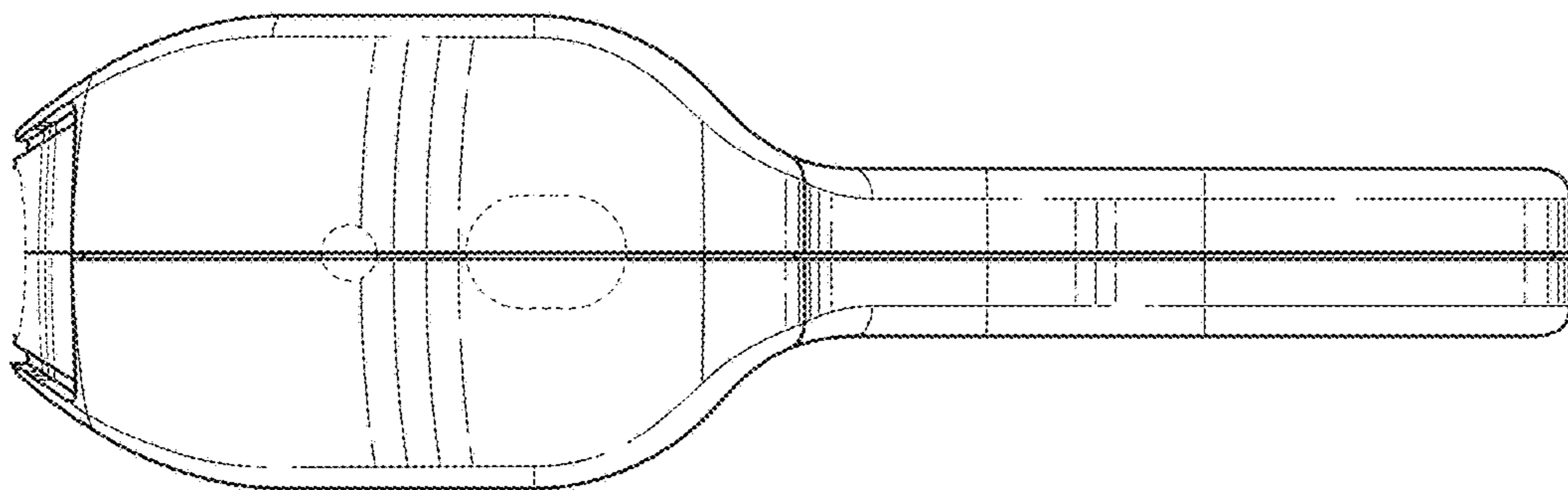


FIG. 3

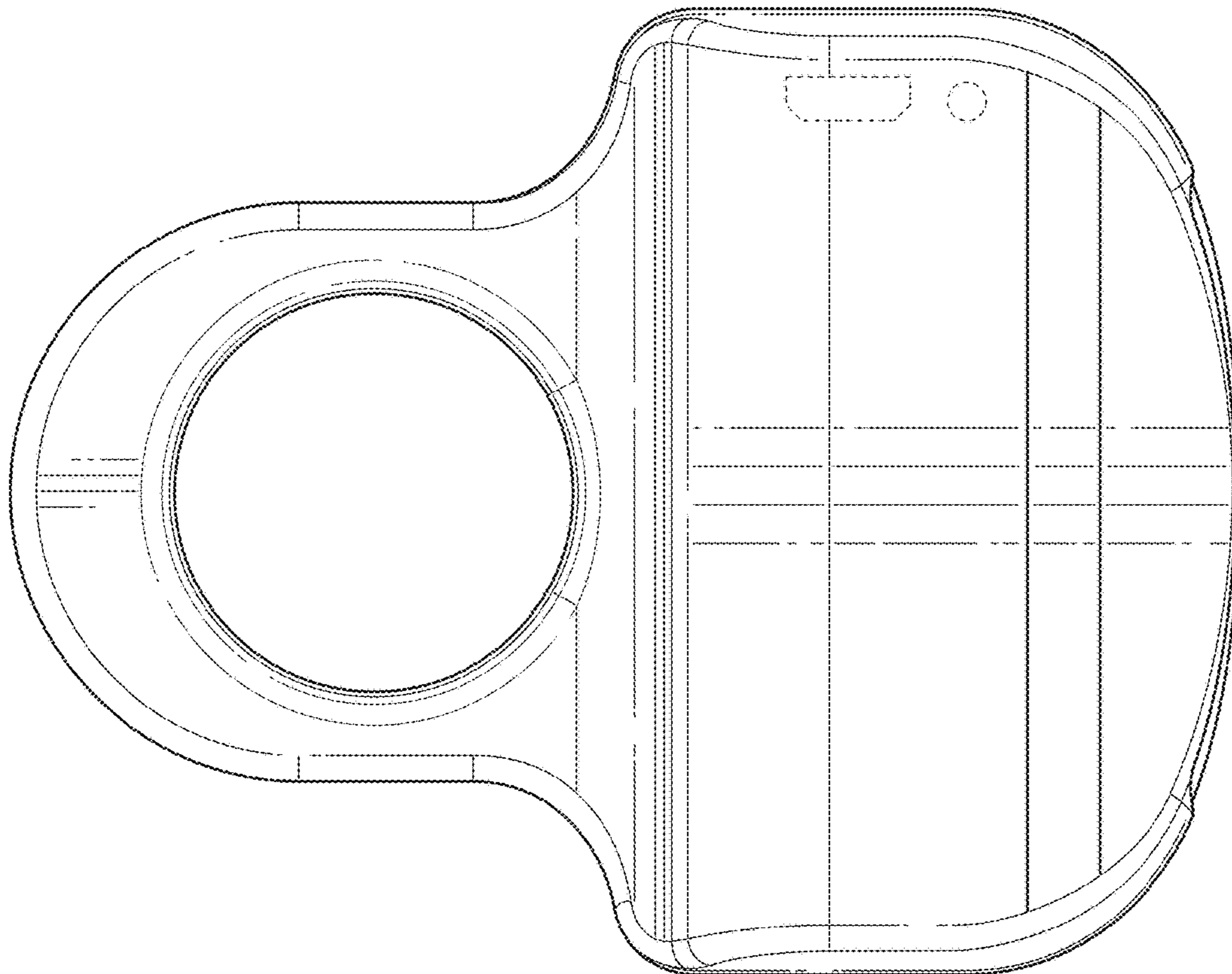


FIG. 4

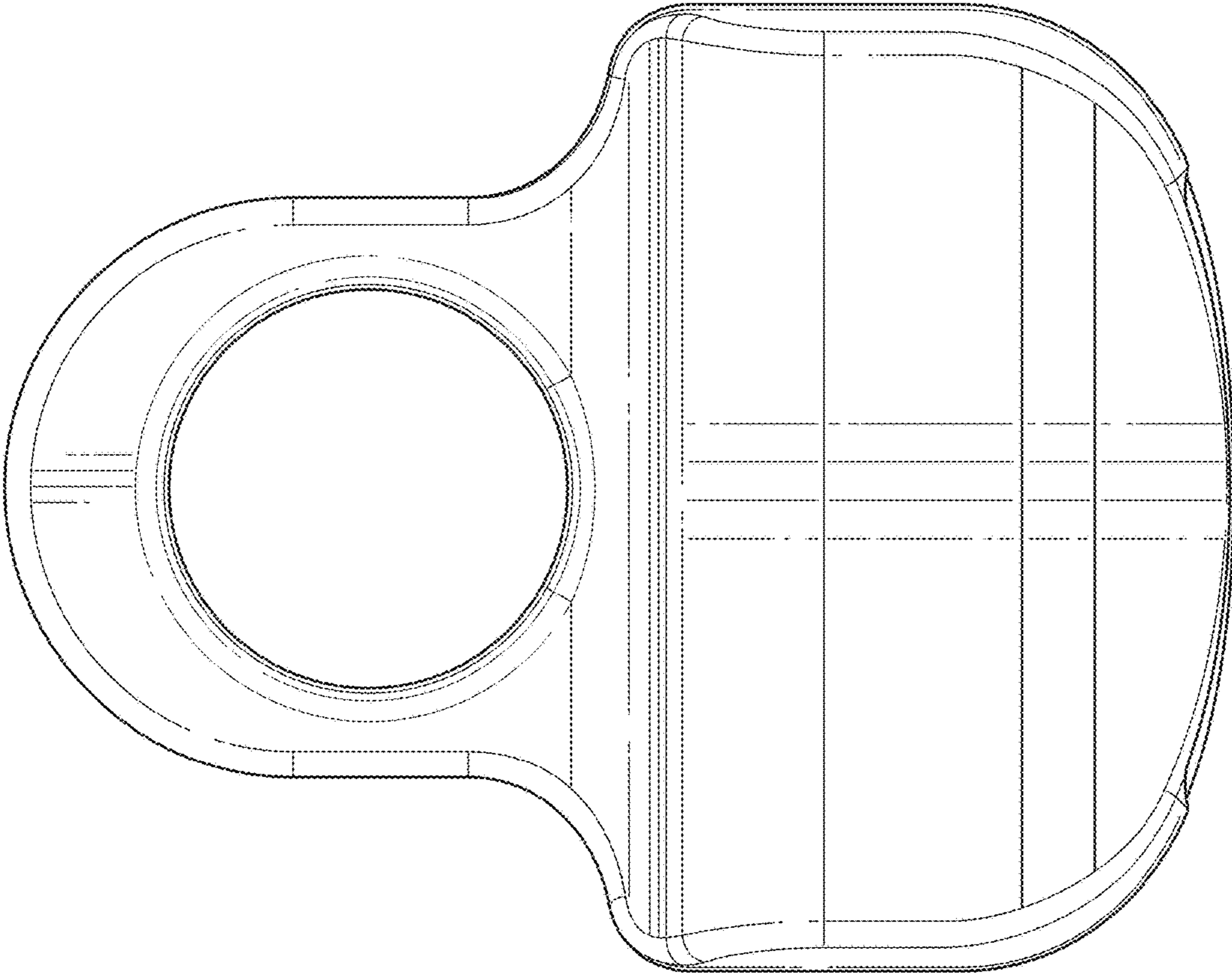


FIG. 5

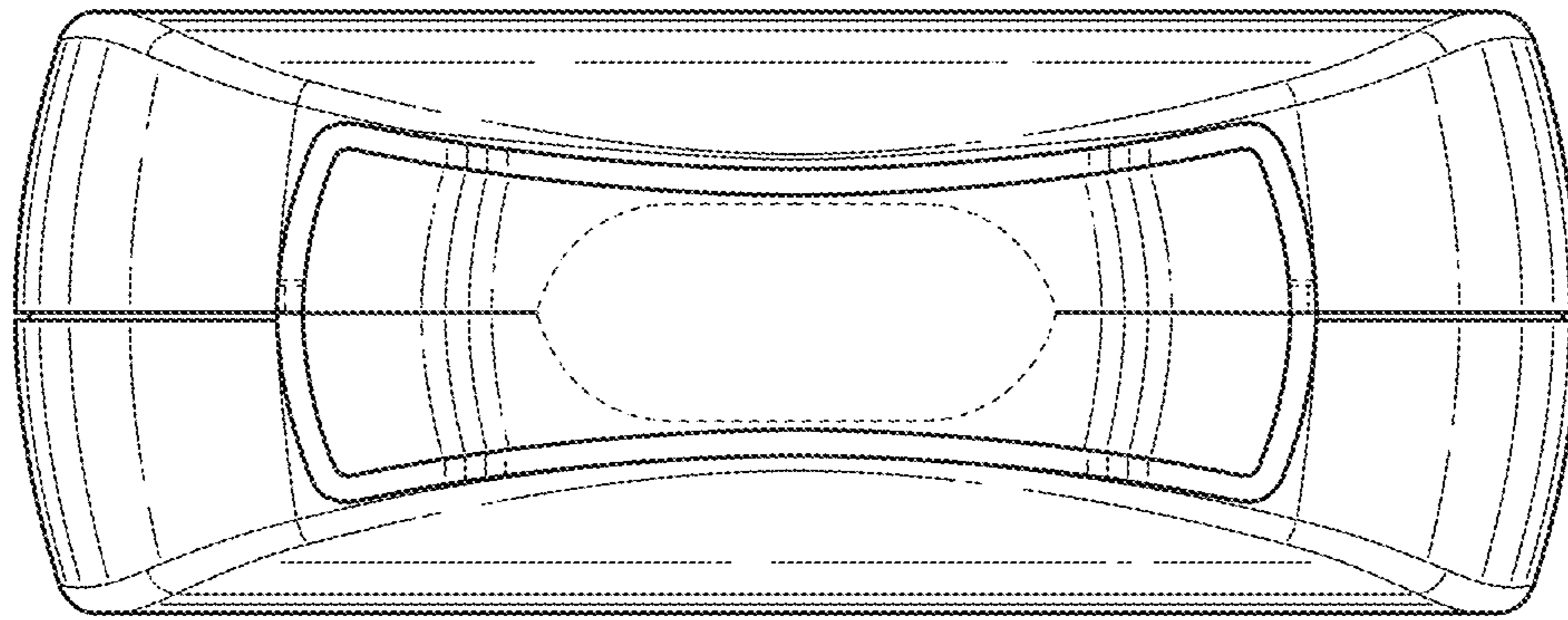


FIG. 6

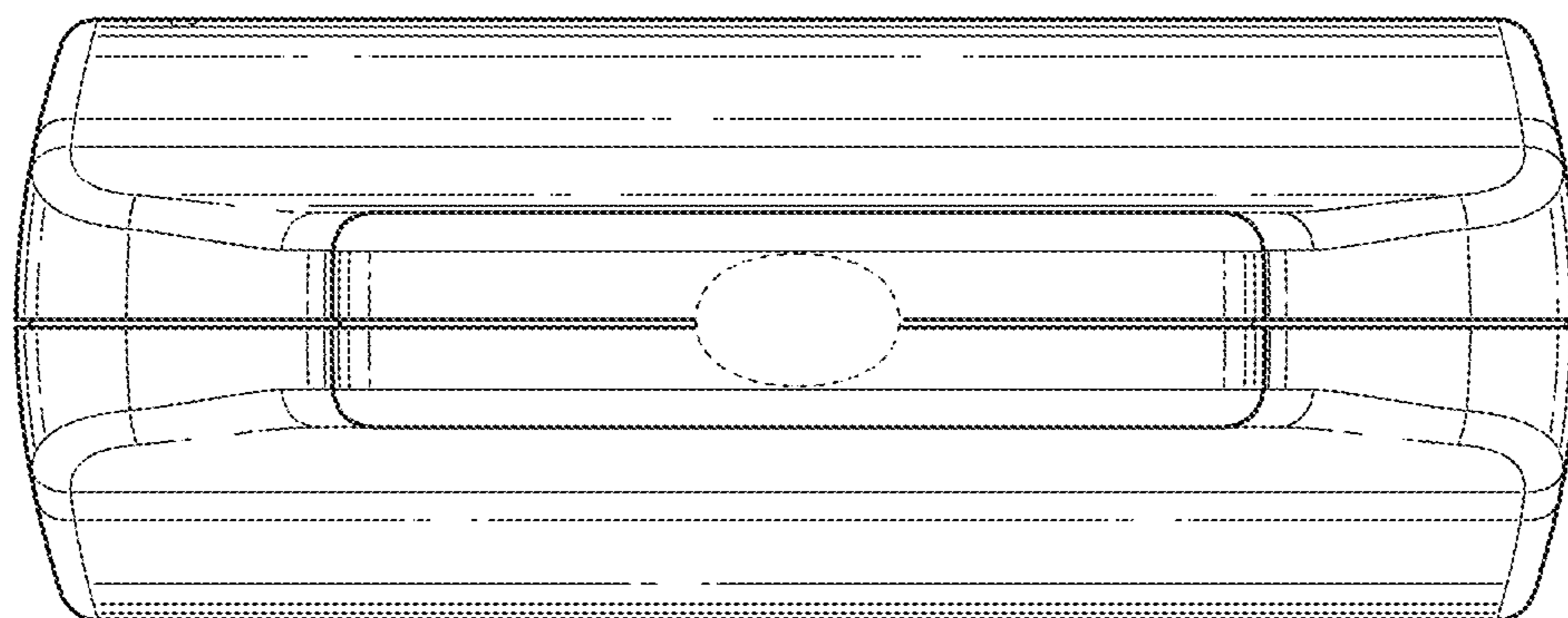


FIG. 7