



US00D812707S

(12) **United States Design Patent**
Planck

(10) **Patent No.:** **US D812,707 S**

(45) **Date of Patent:** **** Mar. 13, 2018**

(54) **LASER DEVICE**

(71) Applicant: **Crimson Trace Corporation,**
Wilsonville, OR (US)

(72) Inventor: **William Planck,** Hillsboro, OR (US)

(73) Assignee: **Crimson Trace Corporation,**
Wilsonville, OR (US)

(**) Term: **15 Years**

(21) Appl. No.: **29/572,579**

(22) Filed: **Jul. 28, 2016**

(51) **LOC (11) Cl.** **22-01**

(52) **U.S. Cl.**
USPC **D22/109**

(58) **Field of Classification Search**
USPC D22/108-109; 89/111-113; 359/399,
359/823, 744; 42/104, 105, 111-113,
42/116, 120, 124-126, 127-129,
42/141-148, 133-140; 33/227, 229
CPC . F41G 1/35; F41G 11/003; F41G 1/00; F41G
1/36; F41G 1/34; F41G 3/26
See application file for complete search history.

(56) **References Cited**

U.S. PATENT DOCUMENTS

- 4,856,218 A * 8/1989 Reynolds, Jr. F41G 1/345
362/110
- D603,478 S * 11/2009 Hughes F41G 11/001
D22/110
- D612,756 S * 3/2010 D'Amelio D10/70
- 7,743,547 B2 * 6/2010 Houde-Walter F41G 1/35
362/110
- D636,049 S * 4/2011 Hughes F41G 11/001
D22/109
- D636,837 S * 4/2011 Hughes F41G 11/001
D22/109
- 8,256,154 B2 * 9/2012 Danielson F41A 19/11
42/117

- D669,553 S * 10/2012 Hughes D22/109
- D669,958 S * 10/2012 Essig D22/108
- D669,959 S * 10/2012 Johnston D22/108
- D674,861 S * 1/2013 Johnston D22/109
- D674,862 S * 1/2013 Johnston D22/109
- D687,120 S * 7/2013 Hughes D22/109
- D692,518 S * 10/2013 Anderson D22/108
- D693,898 S * 11/2013 Essig D22/108
- D694,847 S * 12/2013 Anderson D22/108

(Continued)

OTHER PUBLICATIONS

LG-496G-HBT Green Laserguard with Blade-Tech Holster for Springfield Armory XD Mod.2, CrimsonTrace.com, [online], [site visited Jun. 14, 2017]. URL: <https://www.crimsontrace.com/products/type/laserguard/01-6460>.*

(Continued)

Primary Examiner — T. Chase Nelson

Assistant Examiner — Jonathan J. Han

(74) *Attorney, Agent, or Firm* — Schwabe, Williamson & Wyatt, P.C.

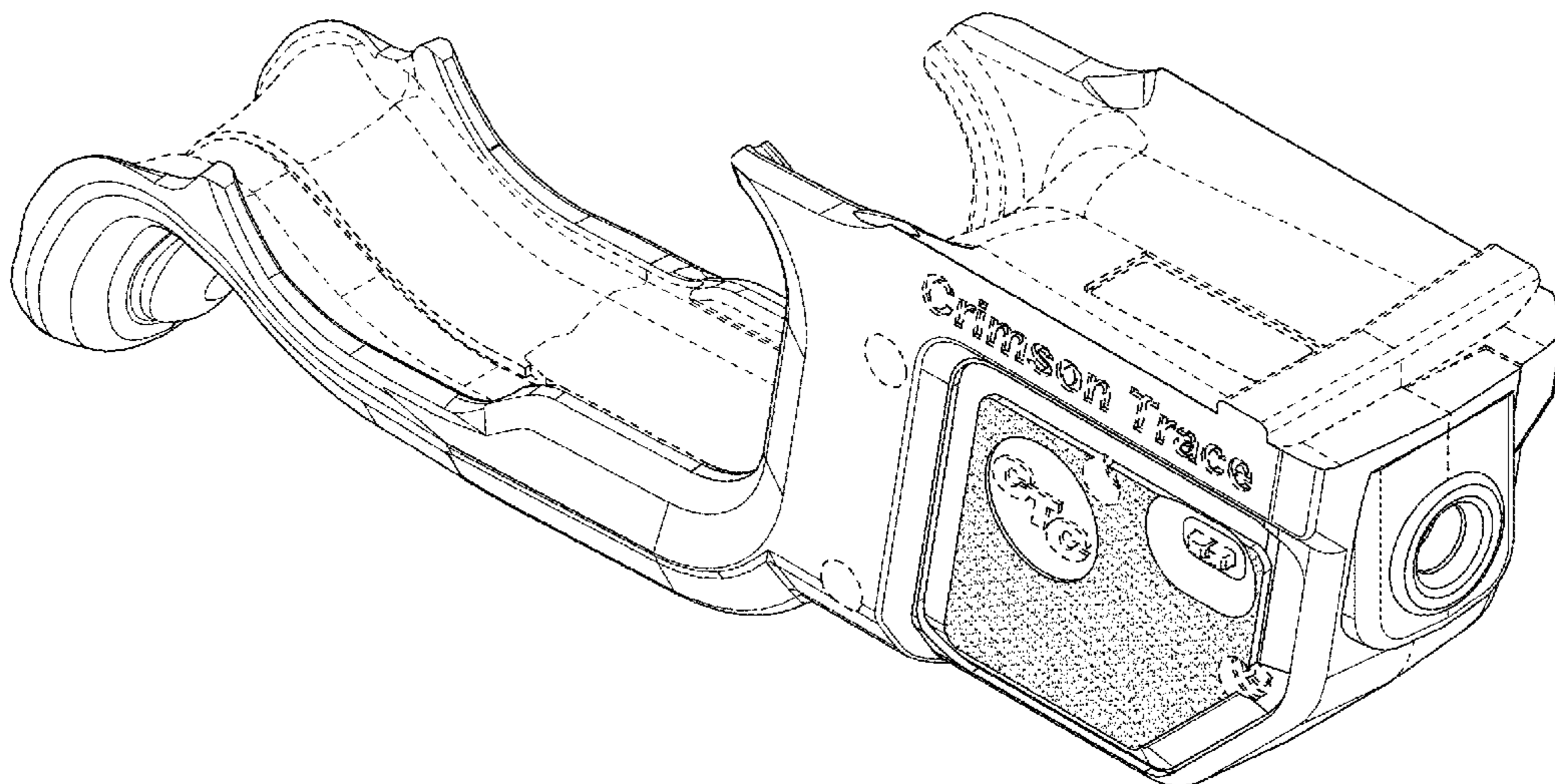
(57) **CLAIM**

I claim the ornamental design for a laser device, as shown and described.

DESCRIPTION

FIG. 1 is a perspective view of a laser device, showing my new design;
FIG. 2 is a front view thereof;
FIG. 3 is a rear view thereof;
FIG. 4 is a right side view thereof;
FIG. 5 is a left side view thereof;
FIG. 6 is a bottom view thereof; and,
FIG. 7 is a top view thereof.
The dashed lines are included for illustrating interior and/or environmental structures and form no part of the claimed design.

1 Claim, 7 Drawing Sheets



(56)

References Cited

U.S. PATENT DOCUMENTS

D694,848 S * 12/2013 Anderson D22/109
 D696,376 S * 12/2013 Anderson D22/109
 D709,981 S * 7/2014 Johnston D22/108
 8,915,009 B2 * 12/2014 Caulk F41G 1/35
 42/114
 D738,456 S * 9/2015 Hughes D22/109
 D738,457 S * 9/2015 Johnston D22/109
 D742,991 S * 11/2015 Klecker D22/109
 D755,340 S * 5/2016 Essig D22/109
 D763,400 S * 8/2016 Johnston D22/109
 9,488,445 B2 * 11/2016 Houde-Walter F41G 1/35
 9,658,031 B1 * 5/2017 Hedeem F41G 1/35
 2012/0124885 A1 * 5/2012 Caulk F41G 1/35
 42/146
 2012/0144718 A1 * 6/2012 Danielson F41A 19/11
 42/117
 2013/0074351 A1 * 3/2013 Kowalczyk G01B 11/27
 33/286
 2013/0145672 A1 * 6/2013 Tuller, Jr. F41G 1/00
 42/114
 2016/0209168 A1 * 7/2016 Sharrah F41G 11/004

OTHER PUBLICATIONS

LG-496 Laserguard for Springfield Armory XD Mod.2, CrimsonTrace.com, [online], [site visited Jun. 14, 2017]. URL: <https://www.crimsontrace.com/products/type/laserguard/01-6320>.
 Viridian R5-XDS Green Laser Sight for Springfield XDS + Free Belt Holster, CheaperThanDirt.com, [online], [site visited Jun. 14, 2017]. URL: <https://www.cheaperthandirt.com/product/viridian-reactor-5-green-laser-sight-for-springfield-xds-free-belt-holster-804879524205.do?sortBy=ourPicks&refType=&from=fn>.
 Crimson Trace Equips Springfield Armory XD MOD.2, Ammoland.com, Posted on Jan. 17, 2017 by Ammoland Editor Joe Evans, [online], [site visited Jun. 14, 2017]. URL: <https://www.ammoland.com/2017/01/crimson-trace-equips-springfield-armory-xd-mod-2/#axzz4k0qRTqCD>.

* cited by examiner

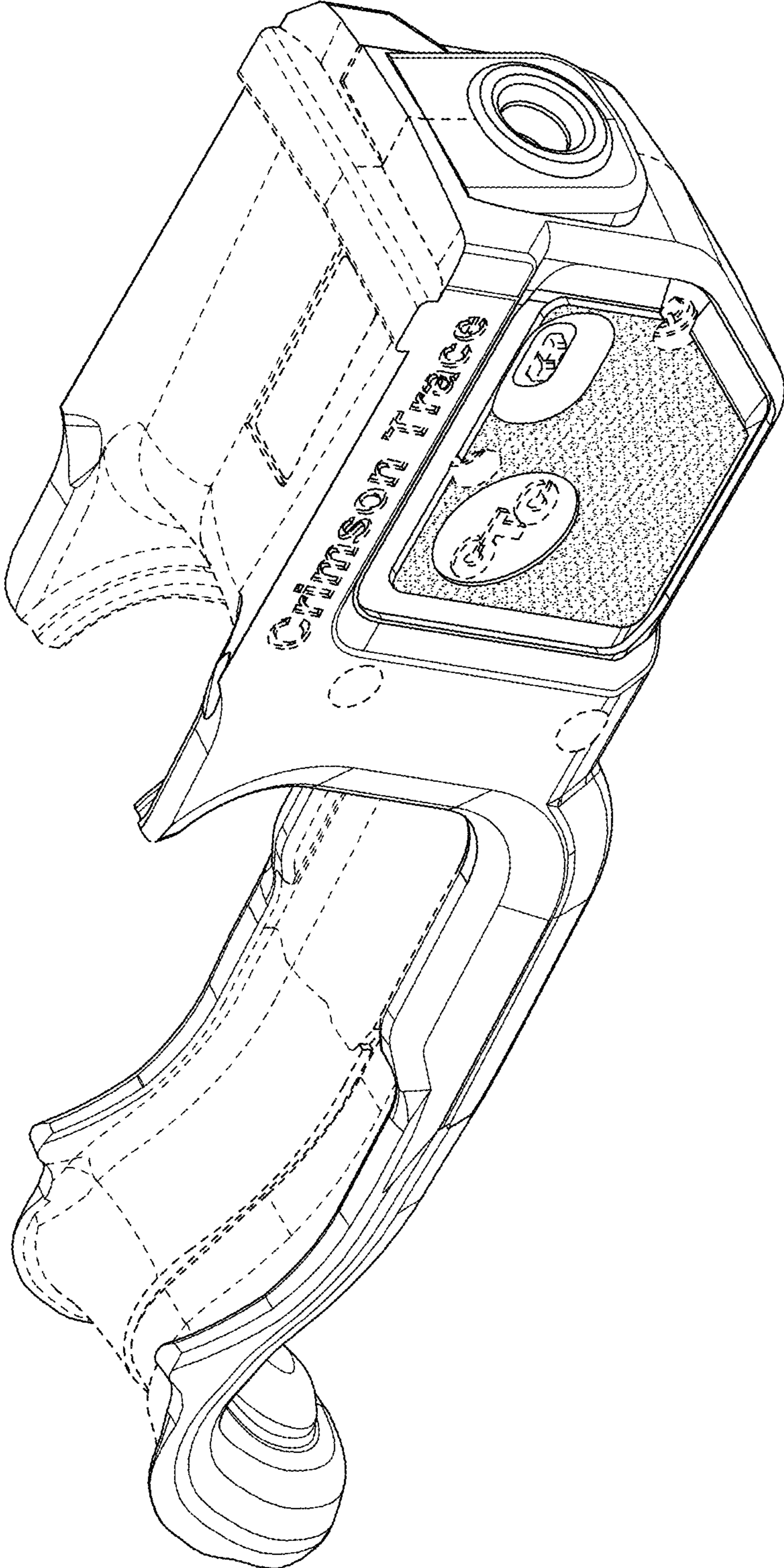


FIG. 1

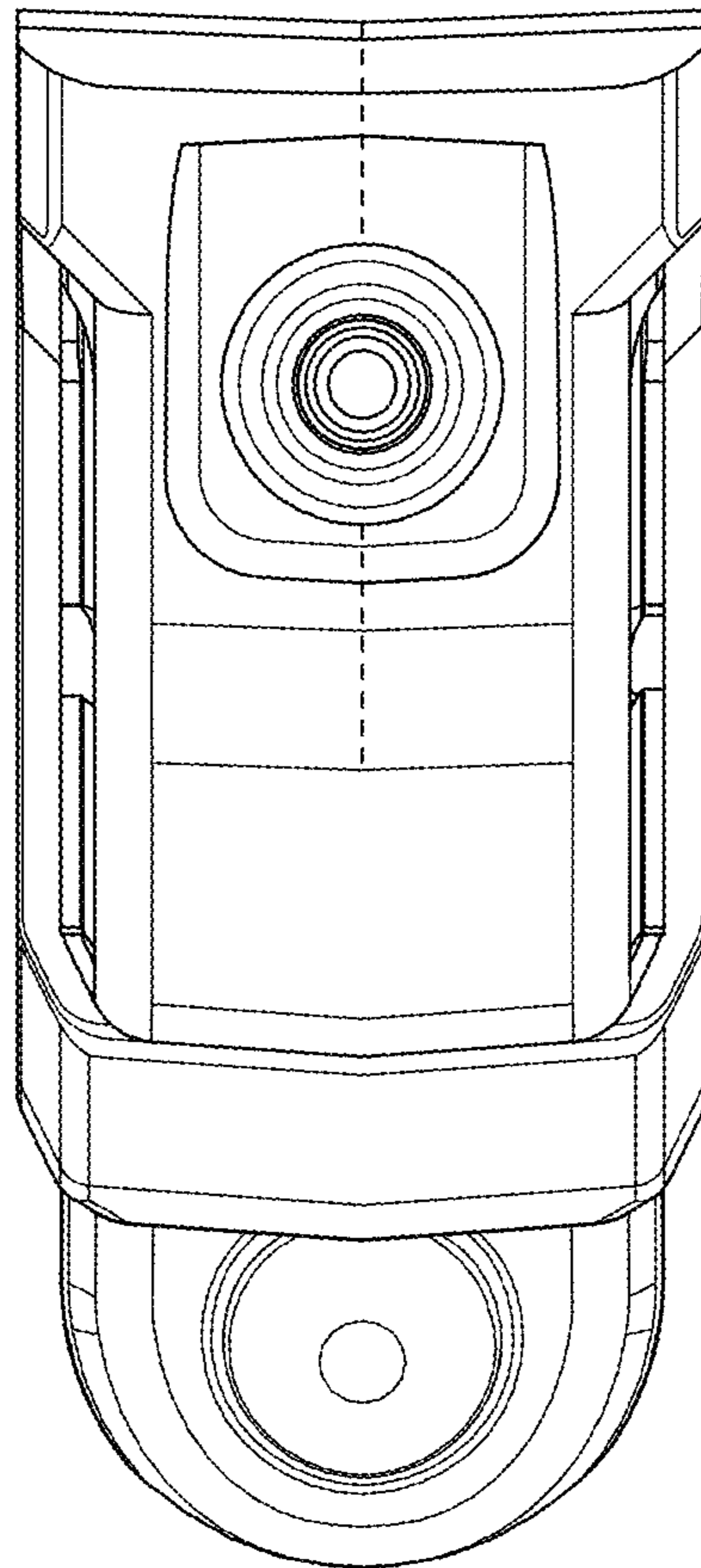


FIG. 2

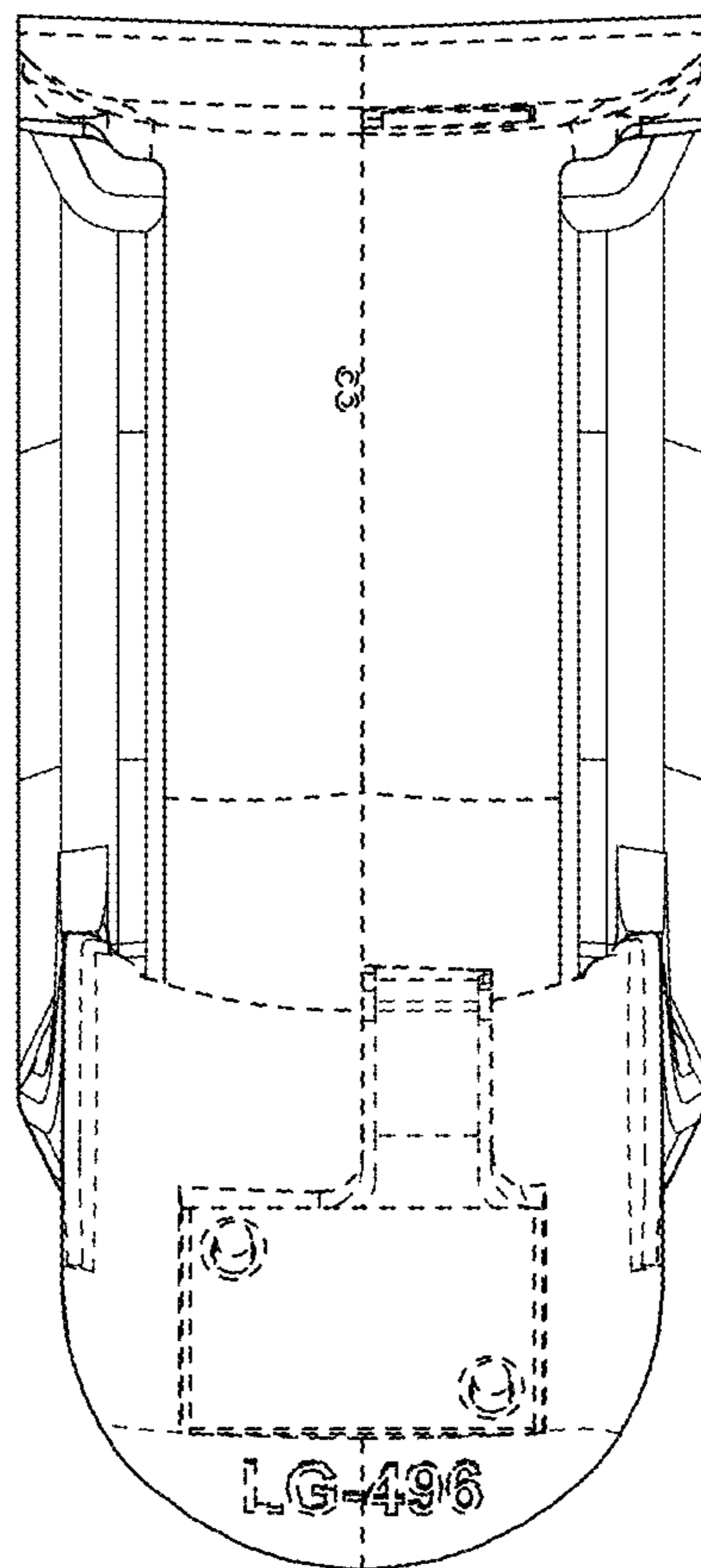


FIG. 3

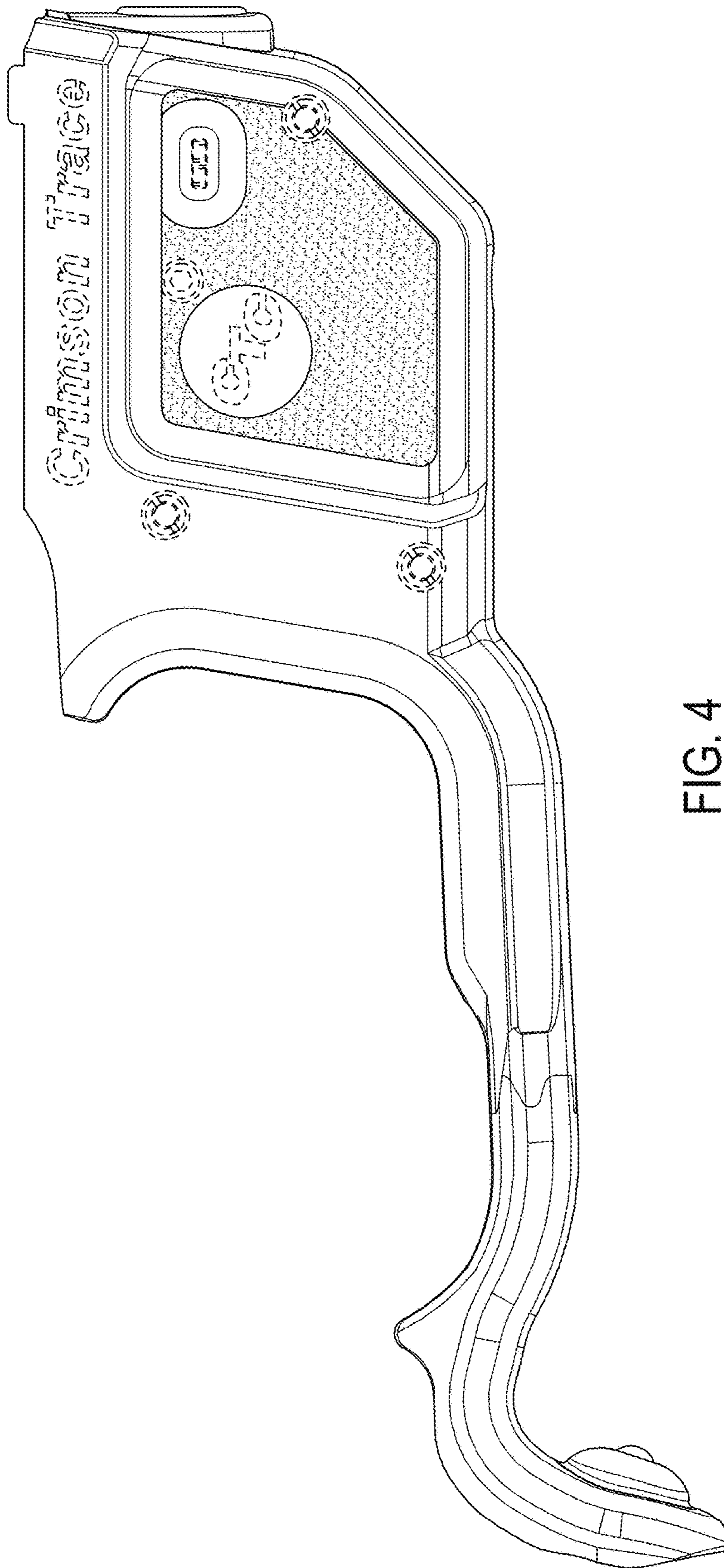


FIG. 4

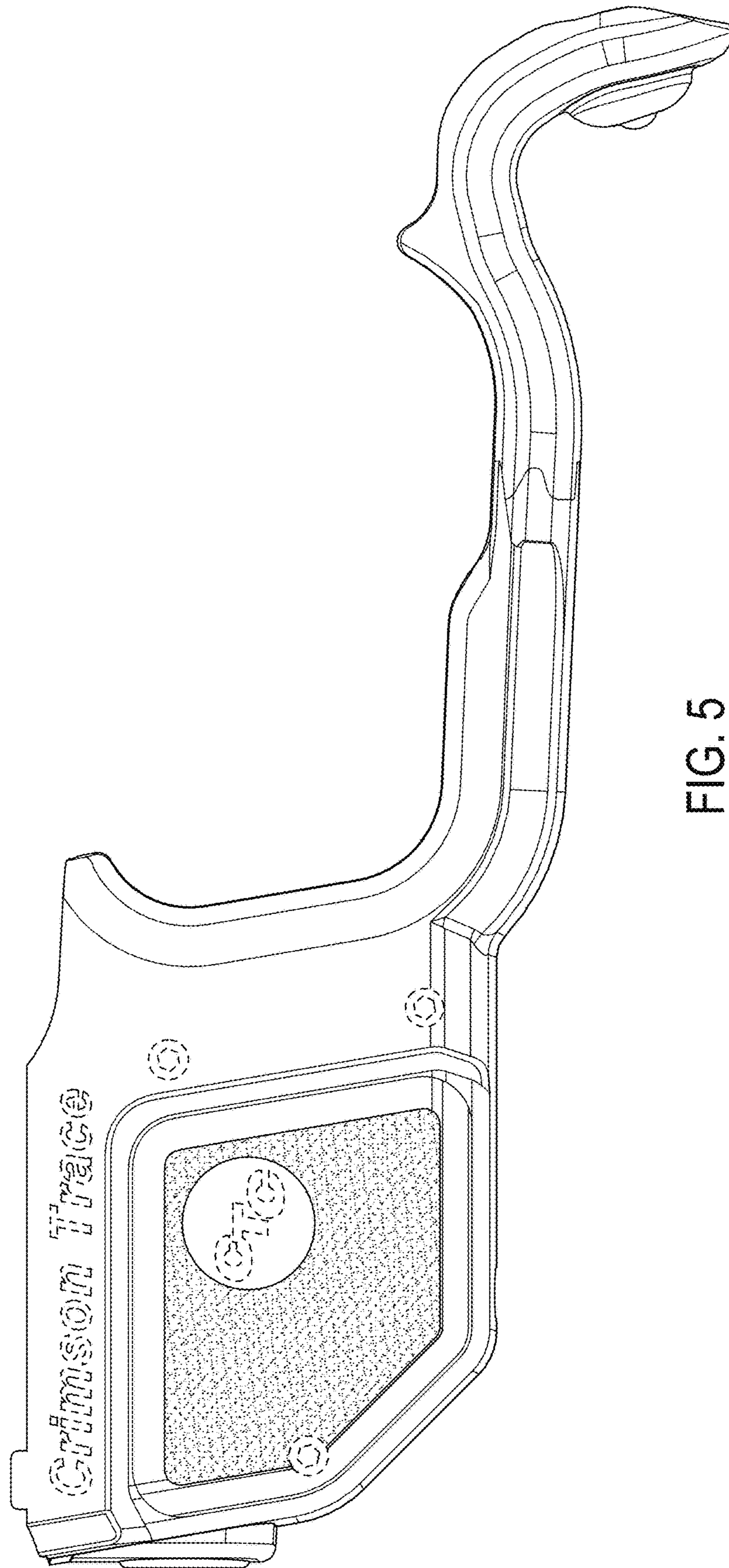


FIG. 5

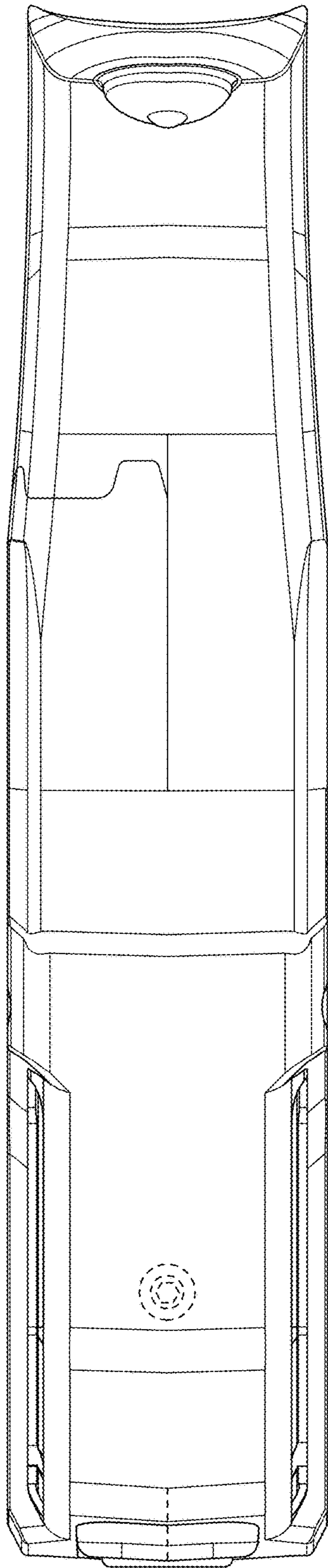


FIG. 6

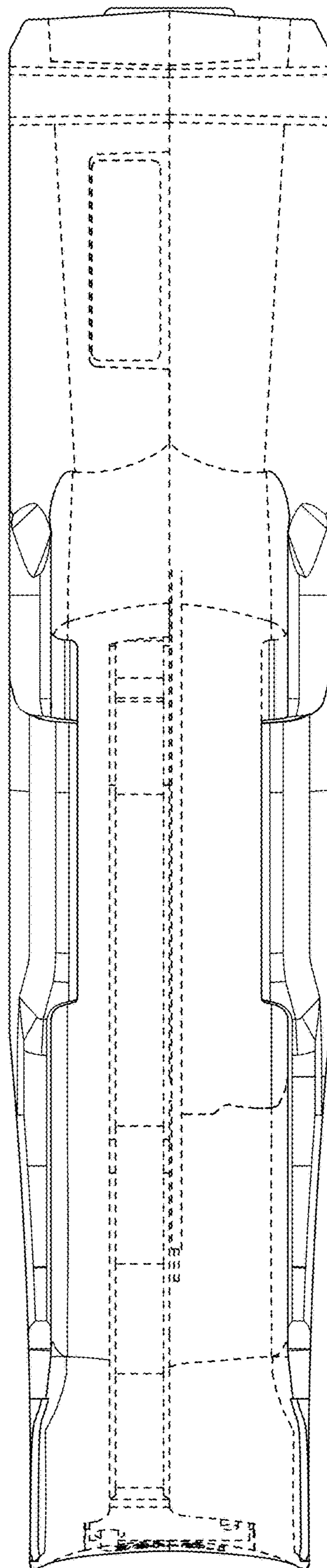


FIG. 7