



US00D812701S

(12) **United States Design Patent**
Parham

(10) **Patent No.:** **US D812,701 S**
(45) **Date of Patent:** **** Mar. 13, 2018**

(54) **BASKETBALL TRAINING STAND**

(71) Applicant: **Terence Parham**, Natrona Heights, PA (US)

(72) Inventor: **Terence Parham**, Natrona Heights, PA (US)

(73) Assignee: **Terence Parham**, Natrona Heights, PA (US)

(**) Term: **15 Years**

(21) Appl. No.: **29/582,938**

(22) Filed: **Nov. 1, 2016**

(51) **LOC (11) Cl.** **21-02**

(52) **U.S. Cl.**
USPC **D21/715**

(58) **Field of Classification Search**
USPC D21/698, 699, 705, 707-709, 713-718, D21/722, 780, 787-789, 791, 799.1, 804; D7/700; D23/407; D34/31
CPC ... A63B 37/00; A63B 37/0022; A63B 37/001; A63B 37/0011; A63B 37/12; A63B 37/14; A63B 39/00; A63B 39/06; A63B 41/00; A63B 43/00; A63B 43/008; A63B 43/02; A63B 43/06; A63B 47/00; A63B 57/20; A63B 59/20; A63B 63/00; A63B 2063/001; A63B 67/10; A63B 2069/0008; A63B 69/002; A63B 69/345; A63B 69/34; A63B 69/201; A63B 69/205; A63B 71/14; A63B 71/143; A63B 71/145; A65B 69/00

See application file for complete search history.

(56) **References Cited**

U.S. PATENT DOCUMENTS

865,246 A * 9/1907 Heltzel A63B 65/125
473/511

3,355,136 A * 11/1967 Staples F16M 11/046
248/352

3,655,193 A * 4/1972 Jones A63F 9/02
248/363

3,765,677 A * 10/1973 Carver A63B 59/20
473/505

D230,014 S * 1/1974 Edgell, Sr. D34/31

D235,462 S * 6/1975 Pennington D21/716

4,239,169 A * 12/1980 DeSantis A47F 5/06
108/146

D269,473 S * 6/1983 Jonsson D34/31

D278,753 S * 5/1985 Honour, VII D34/31

4,887,820 A * 12/1989 Amici A63B 59/20
273/DIG. 25

D308,555 S * 6/1990 Hermen D21/699

D322,645 S * 12/1991 Danese D21/722

D323,010 S * 1/1992 Riahi D21/699

D356,351 S * 3/1995 Watts D21/691

D376,608 S * 12/1996 Africano D15/150

D509,551 S * 9/2005 Reynolds D21/715

D577,965 S * 10/2008 Blair D7/700

(Continued)

Primary Examiner — Michael A. Pratt

Assistant Examiner — Wendy Arminio

(74) *Attorney, Agent, or Firm* — The Webb Law Firm

(57) **CLAIM**

The ornamental design for a basketball training stand, as shown and described.

DESCRIPTION

FIG. 1 is a perspective view of my new design of a basketball training stand shown in a lowered configuration and with the leg portions in the closed position.

FIG. 2 is a perspective view of my new design of a basketball training stand shown in a raised configuration and with the leg portions in the open position.

FIG. 3 is a front side view of the design of FIG. 2.

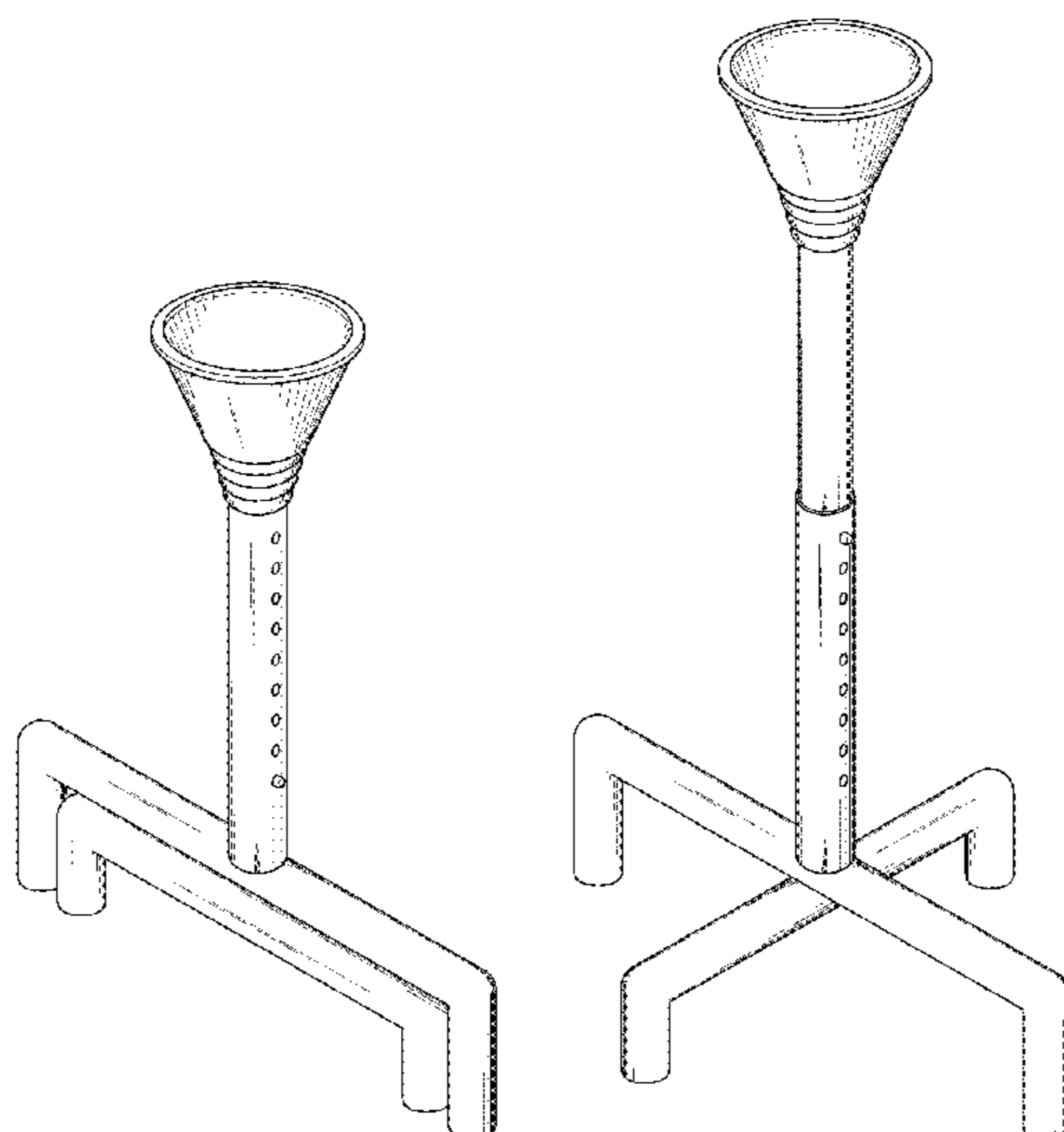
FIG. 4 is a rear side view of the design of FIG. 2.

FIG. 5 is a left side view of the design of FIG. 2.

FIG. 6 is a right side view of the design of FIG. 2; and,

FIG. 7 is a top view of the design of FIG. 2.

1 Claim, 4 Drawing Sheets



(56)

References Cited

U.S. PATENT DOCUMENTS

8,052,546 B1 * 11/2011 Nagel A63B 69/0071
473/422
D652,882 S * 1/2012 Nagel D21/781
D738,434 S * 9/2015 Baumann D21/398
D783,209 S * 4/2017 Morris D30/121
2002/0119841 A1 * 8/2002 Foley A63B 63/083
473/415
2011/0294606 A1 * 12/2011 Llyod A63B 69/0071
473/422
2016/0325167 A1 * 11/2016 Constantin A63B 69/0071

* cited by examiner

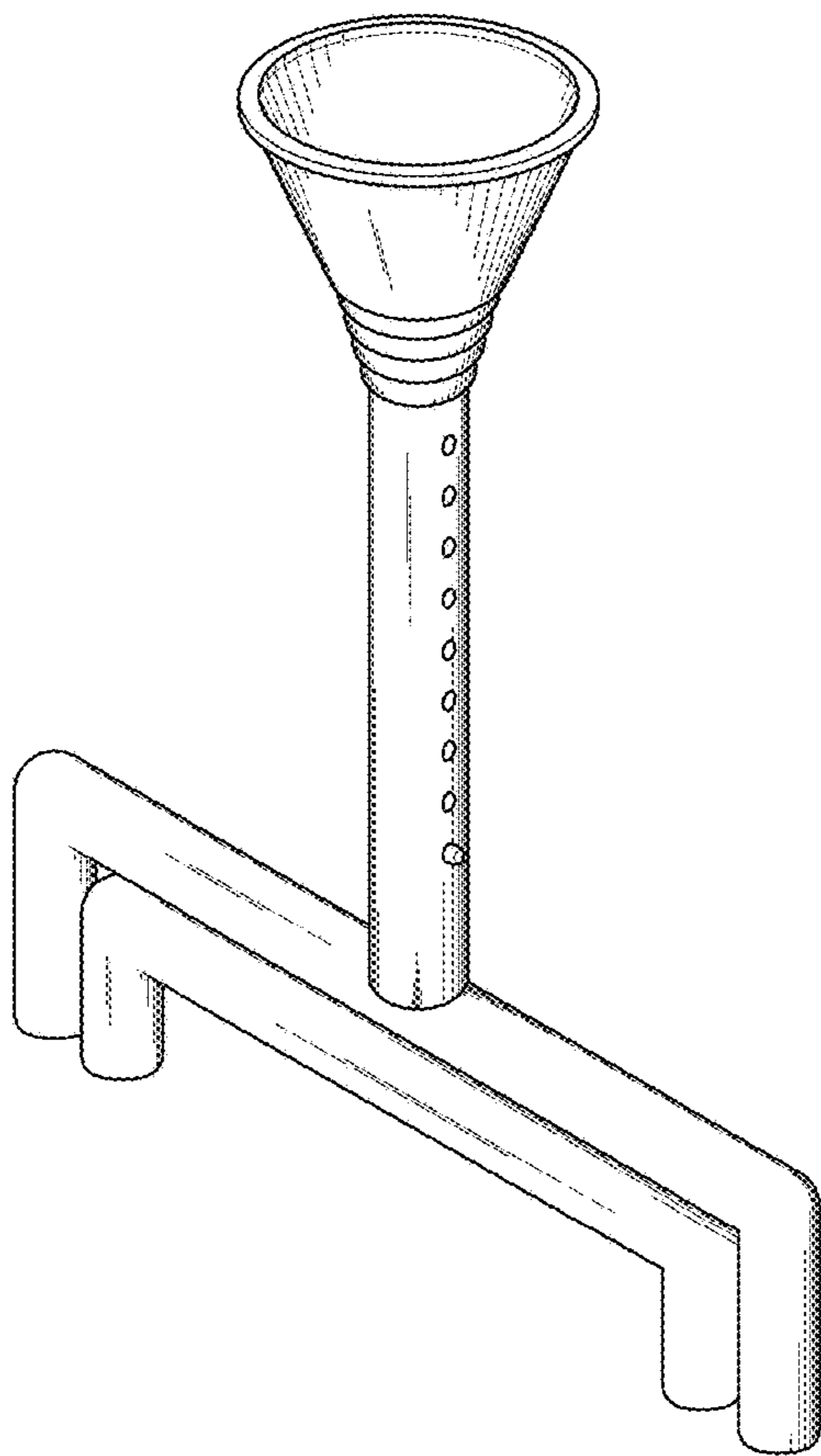


FIG. 1

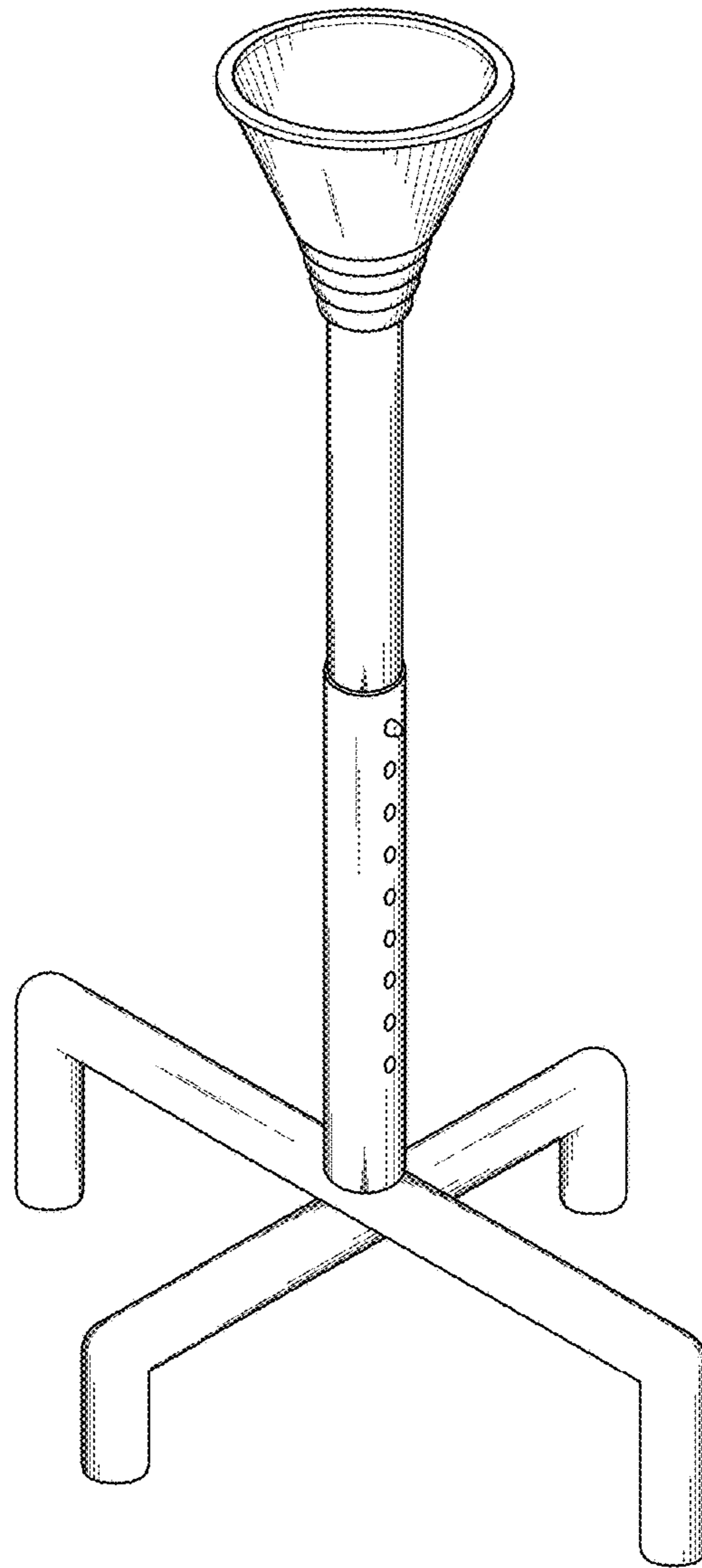


FIG. 2

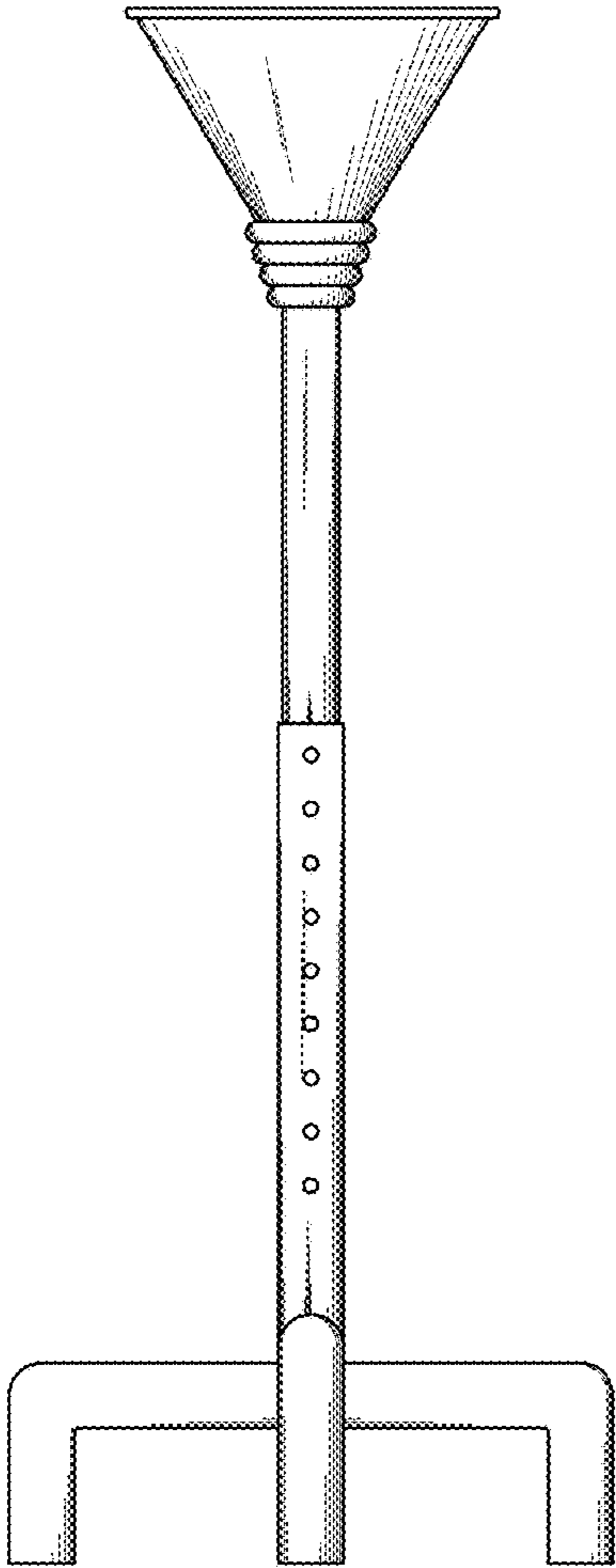


FIG. 3

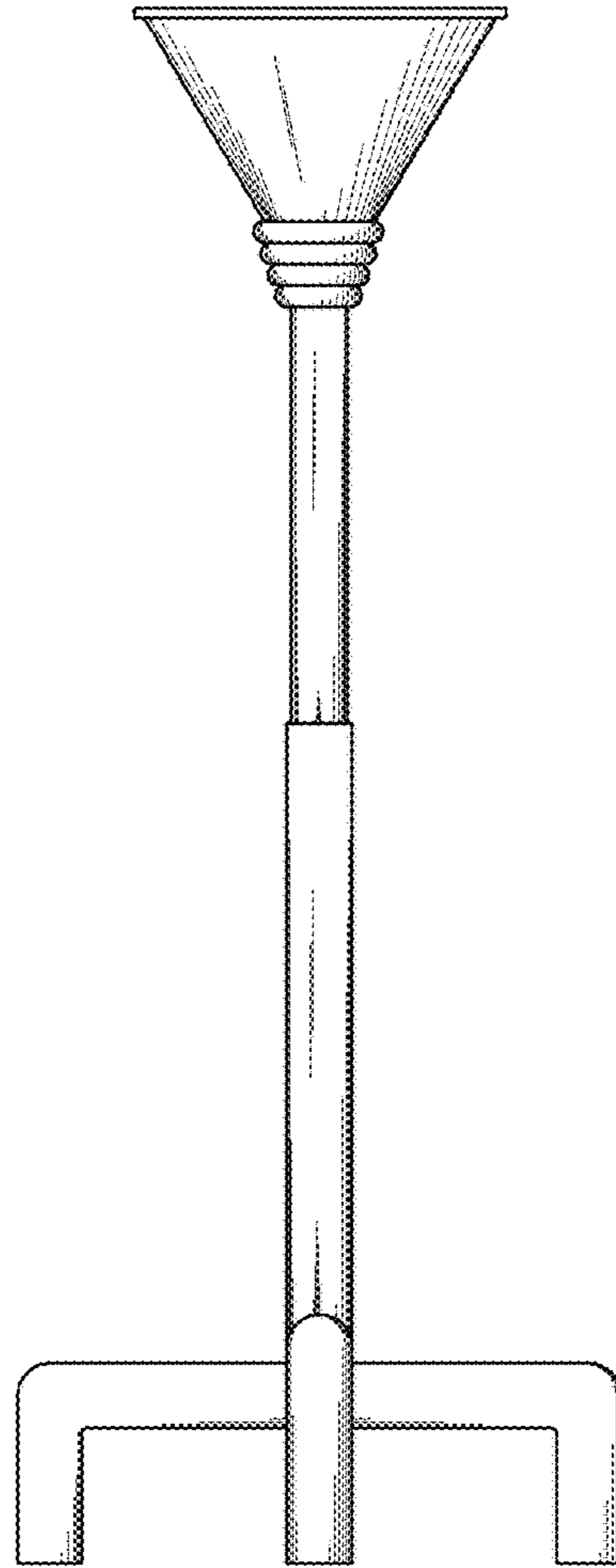


FIG. 4

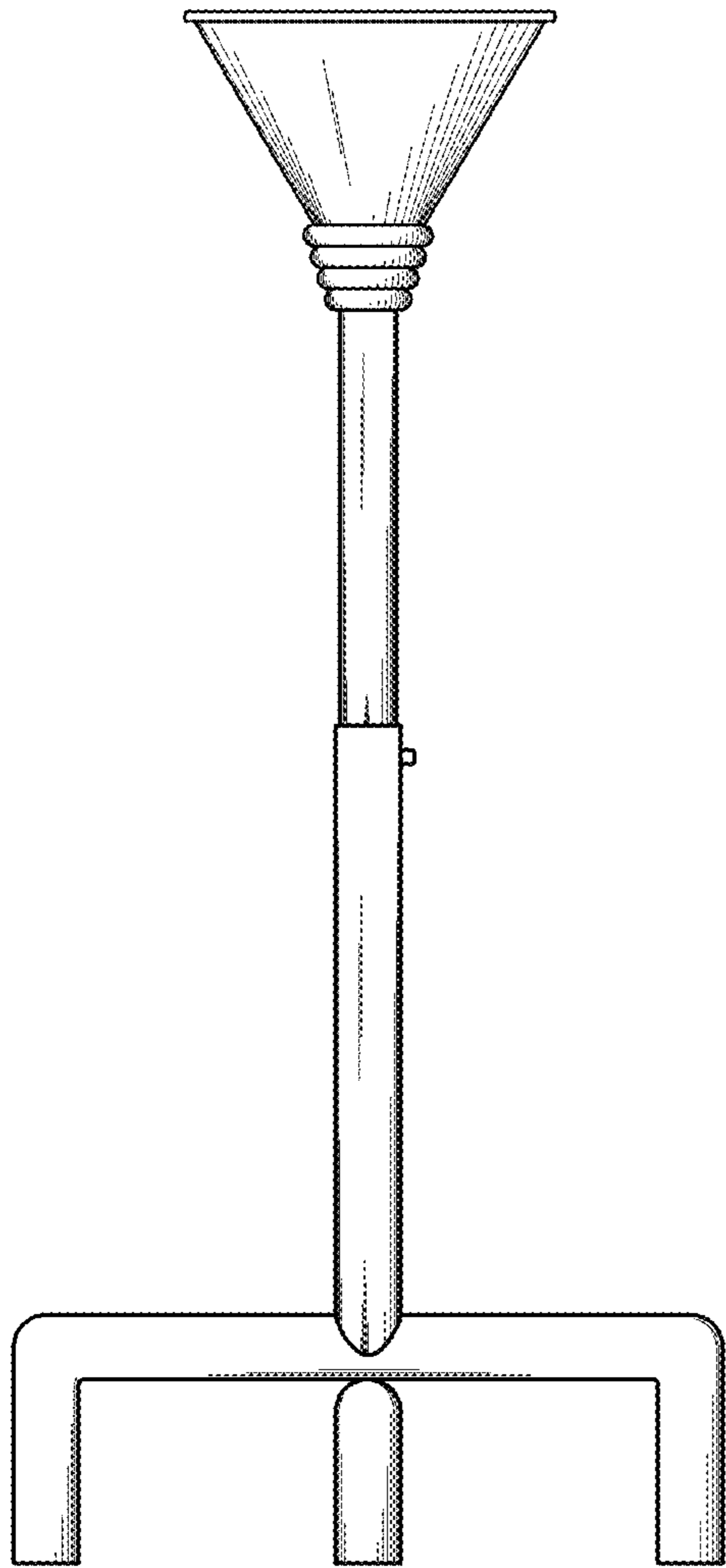


FIG. 5

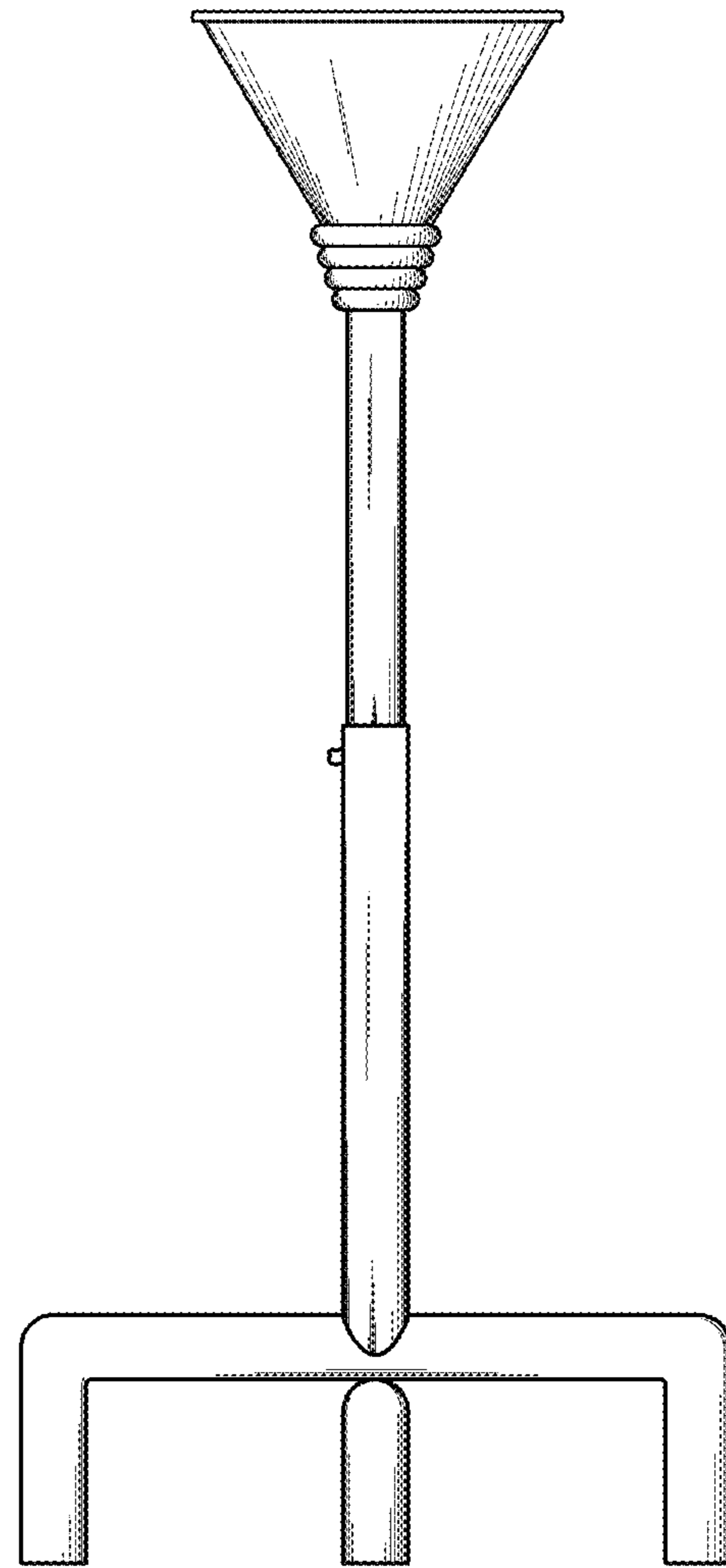


FIG. 6

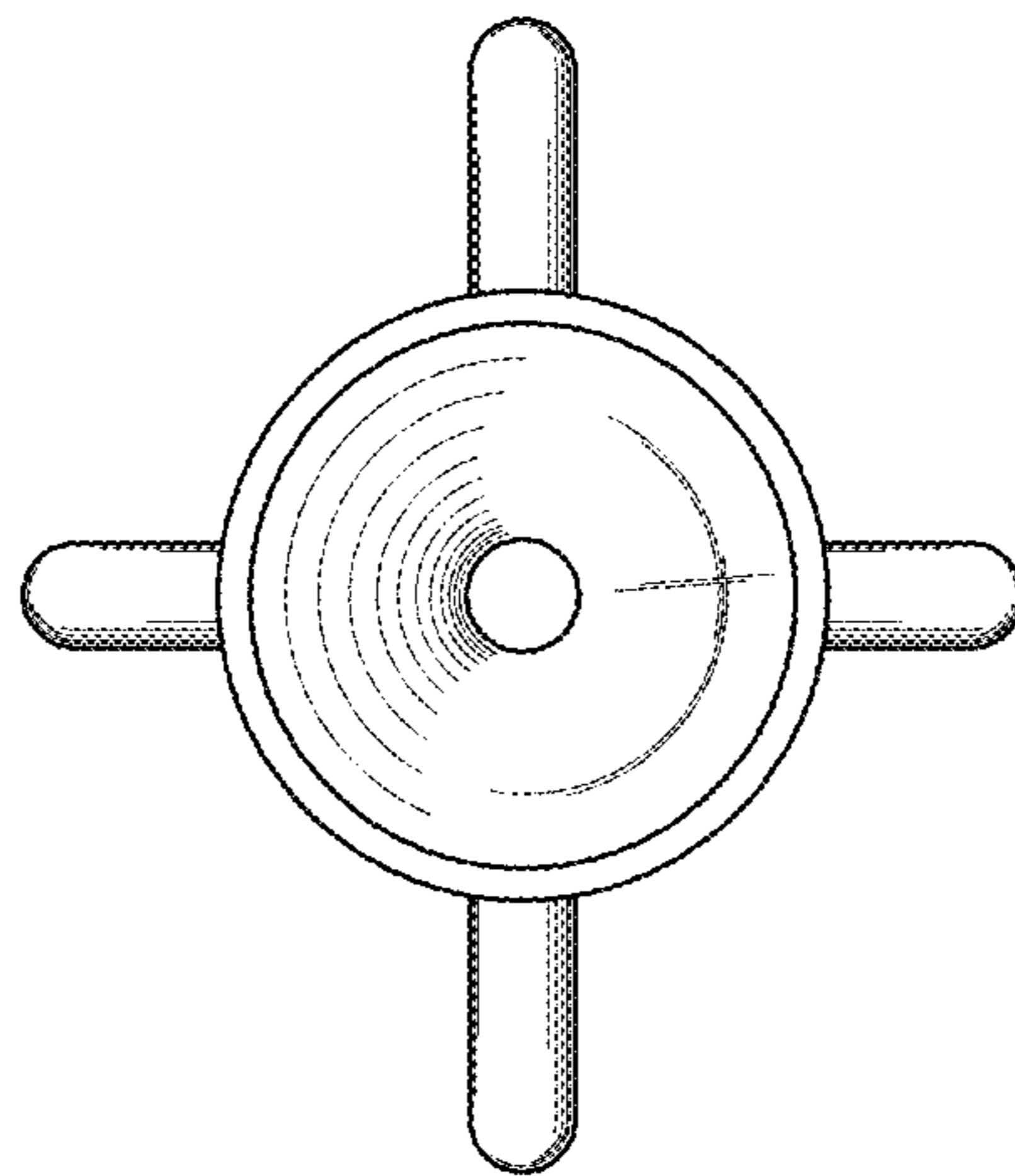


FIG. 7