



US00D812699S

(12) **United States Design Patent**
Thell et al.

(10) **Patent No.:** **US D812,699 S**
(45) **Date of Patent:** **** Mar. 13, 2018**

(54) **PENDULUM WEIGHT PLATE**

(71) Applicant: **The Prophet Corporation**, Owatonna, MN (US)

(72) Inventors: **Bryan Michael Thell**, Plymouth, MN (US); **Todd Russell Jennings**, Sunfish Lake, MN (US)

(73) Assignee: **The Prophet Corporation**, Owatonna, MN (US)

(**) Term: **15 Years**

(21) Appl. No.: **29/531,905**

(22) Filed: **Jun. 30, 2015**

(51) **LOC (11) Cl.** **21-02**

(52) **U.S. Cl.**
USPC **D21/680**

(58) **Field of Classification Search**
USPC D21/681, 680, 684, 682, 694, 679, 803, D21/770, 801; 482/93, 106, 104, 108,
(Continued)

(56) **References Cited**

U.S. PATENT DOCUMENTS

D275,302 S * 8/1984 Rotella D21/684
4,515,364 A * 5/1985 Rotella A63B 21/045
482/122

(Continued)

OTHER PUBLICATIONS

Sweight by Gopher Performance dated Nov. 8, 2015. Found online [Jun. 19, 2017] http://www.gopherperformance.com/strength/free-weights/sweight-weight-plates/?sku_id=13133&gclid=CjwKEAjw7J3KBRCxv93Q3KSukXQSJADzFzVSc3Vvl94y-Cvk5vg_C5nw4GY-CB9whYHw6zUgiPHvZAxoCjpfw_wcB#reviewsTab.*

Primary Examiner — Robert M Spear

Assistant Examiner — Ryan Harvey

(74) *Attorney, Agent, or Firm* — Merchant & Gould P.C.

(57) **CLAIM**

The ornamental design for a pendulum weight plate, as shown and described.

DESCRIPTION

FIG. 1 is a front, top, first side perspective view of the pendulum weight plate showing the new design, shown with a symbolic break in its length comprising a first embodiment;

FIG. 2 is a front elevational view of the design shown in FIG. 1;

FIG. 3 is a rear elevational view of the design shown in FIG. 1;

FIG. 4 is a first side elevational view of the design shown in FIG. 1;

FIG. 5 is a second side elevational view of the design shown in FIG. 1;

FIG. 6 is a top plan view of the design shown in FIG. 1;

FIG. 7 is a bottom plan view of the design shown in FIG. 1;

FIG. 8 is a rear, bottom, second side view of the design shown in FIG. 1;

FIG. 9 is a front, top, first side perspective view of a second embodiment of a pendulum weight plate;

FIG. 10 is a front elevational view of the design shown in FIG. 9;

FIG. 11 is a rear elevational view of the design shown in FIG. 9;

FIG. 12 is a first side elevational view of the design shown in FIG. 9;

FIG. 13 is a second side elevational view of the design shown in FIG. 9;

FIG. 14 is a top plan view of the design shown in FIG. 9;

FIG. 15 is a bottom plan view of the design shown in FIG. 9;

FIG. 16 is a rear, bottom, second side view of the design shown in FIG. 9;

(Continued)

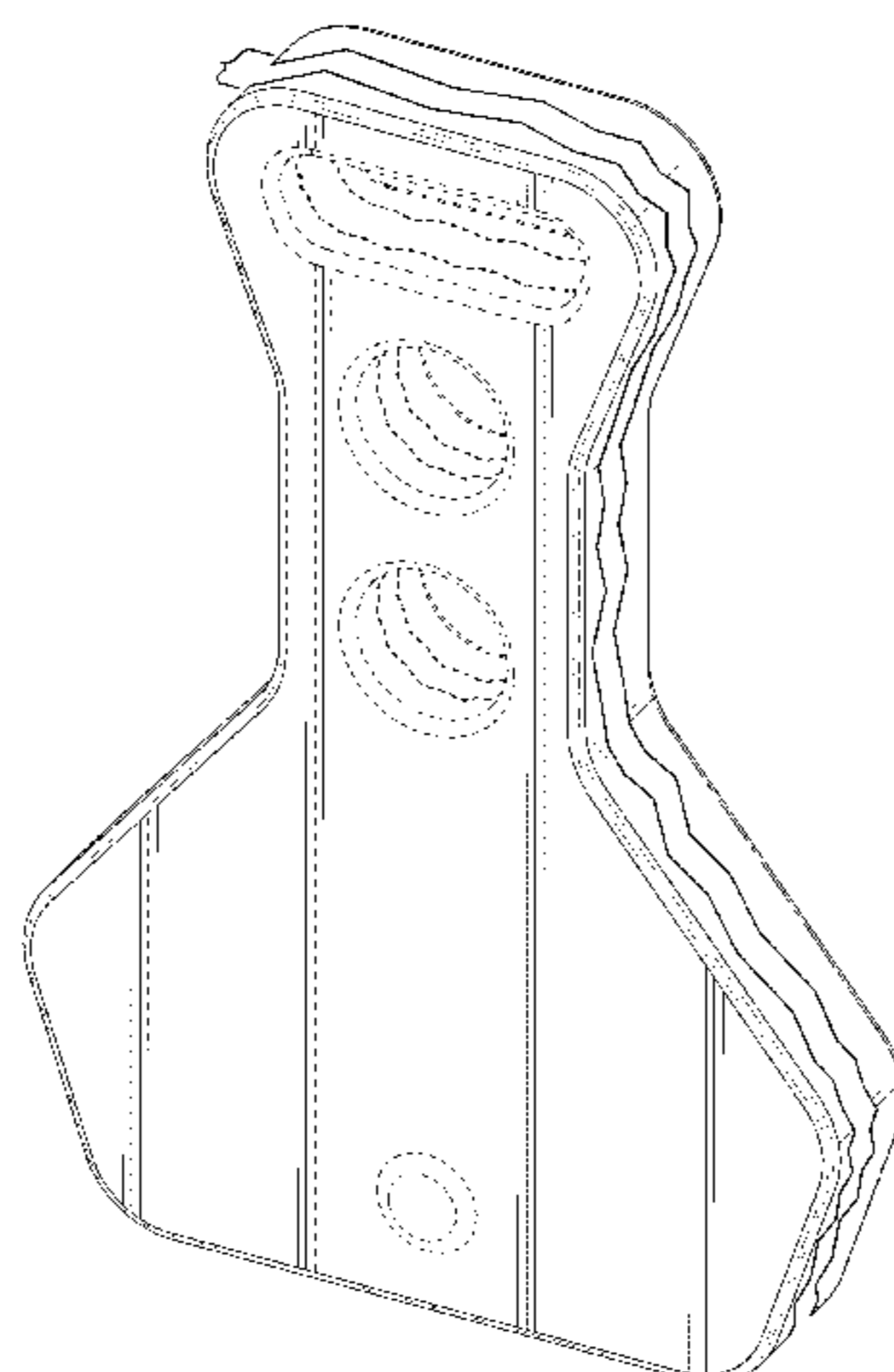


FIG. 17 is a front, top, first side perspective view of a third embodiment of a pendulum weight plate;
 FIG. 18 is a front elevational view of the design shown in FIG. 17;
 FIG. 19 is a rear elevational view of the design shown in FIG. 17;
 FIG. 20 is a first side elevational view of the design shown in FIG. 17;
 FIG. 21 is a second side elevational view of the design shown in FIG. 17;
 FIG. 22 is a top plan view of the design shown in FIG. 17;
 FIG. 23 is a bottom plan view of the design shown in FIG. 17;
 FIG. 24 is a rear, bottom, second side view of the design shown in FIG. 17;
 FIG. 25 is a front, top, first side perspective view of a fourth embodiment of a pendulum weight plate;
 FIG. 26 is a front elevational view of the design shown in FIG. 25;
 FIG. 27 is a rear elevational view of the design shown in FIG. 25;
 FIG. 28 is a first side elevational view of the design shown in FIG. 25;
 FIG. 29 is a second side elevational view of the design shown in FIG. 25;
 FIG. 30 is a top plan view of the design shown in FIG. 25;
 FIG. 31 is a bottom plan view of the design shown in FIG. 25; and,
 FIG. 32 is a rear, bottom, second side view of the design shown in FIG. 25.
 The broken line showing of portions of the pendulum weight plate depicts environment and forms no part of the claim.

The claimed design is shown with a symbolic break in its length. The appearance of any portion of the article between the break lines forms no part of the claimed design.

1 Claim, 24 Drawing Sheets

(58) **Field of Classification Search**

USPC 482/45, 110, 44; 29/428; 446/170;
 273/109; D30/160; 441/66, 131, 67;
 114/345, 361; D12/316, 202; D7/608,
 D7/606
 CPC . A63B 21/0728; A63B 21/072; A63B 21/075;
 A63B 21/06; A63B 21/0724
 See application file for complete search history.

(56) **References Cited**

U.S. PATENT DOCUMENTS

4,756,526	A	7/1988	Broussard	
4,880,229	A	11/1989	Broussard	
D306,332	S	2/1990	Mayfield	
5,072,933	A *	12/1991	Diodati	A63B 21/072 482/93
5,344,375	A *	9/1994	Cooper	A63B 21/0728 482/106
D502,747	S *	3/2005	Anderson	A63B 21/072 D21/680
8,052,587	B1 *	11/2011	Wu	A63B 23/0458 446/125
D667,902	S	9/2012	Elledge	
D691,221	S *	10/2013	Potts	D21/680
D698,400	S *	1/2014	Potts	D21/680
D726,264	S *	4/2015	Agate	D21/682
D738,970	S *	9/2015	Maribona	D21/684
2014/0024505	A1 *	1/2014	Potts	A63B 21/0724 482/106

* cited by examiner

FIG. 1

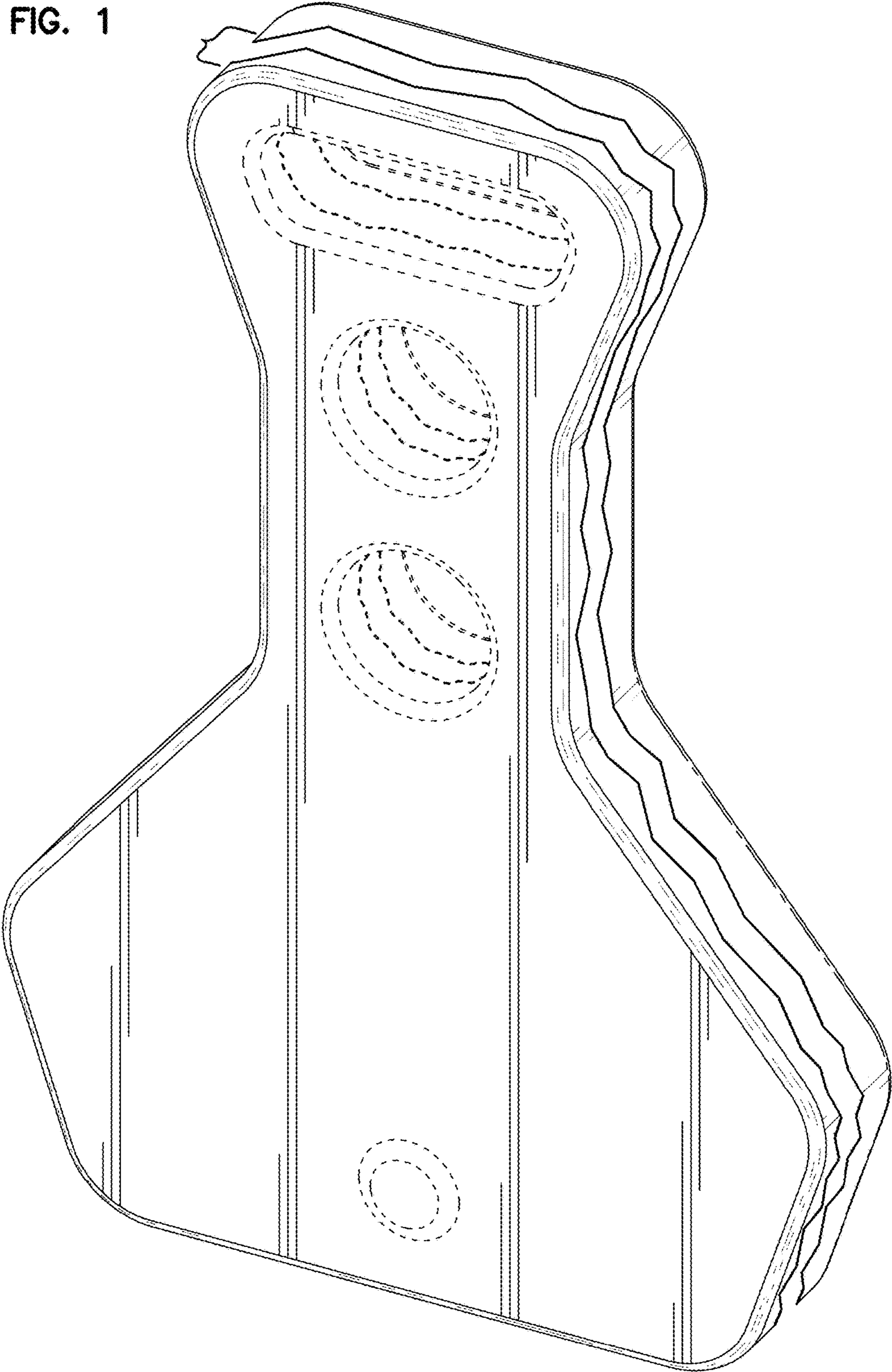


FIG. 2

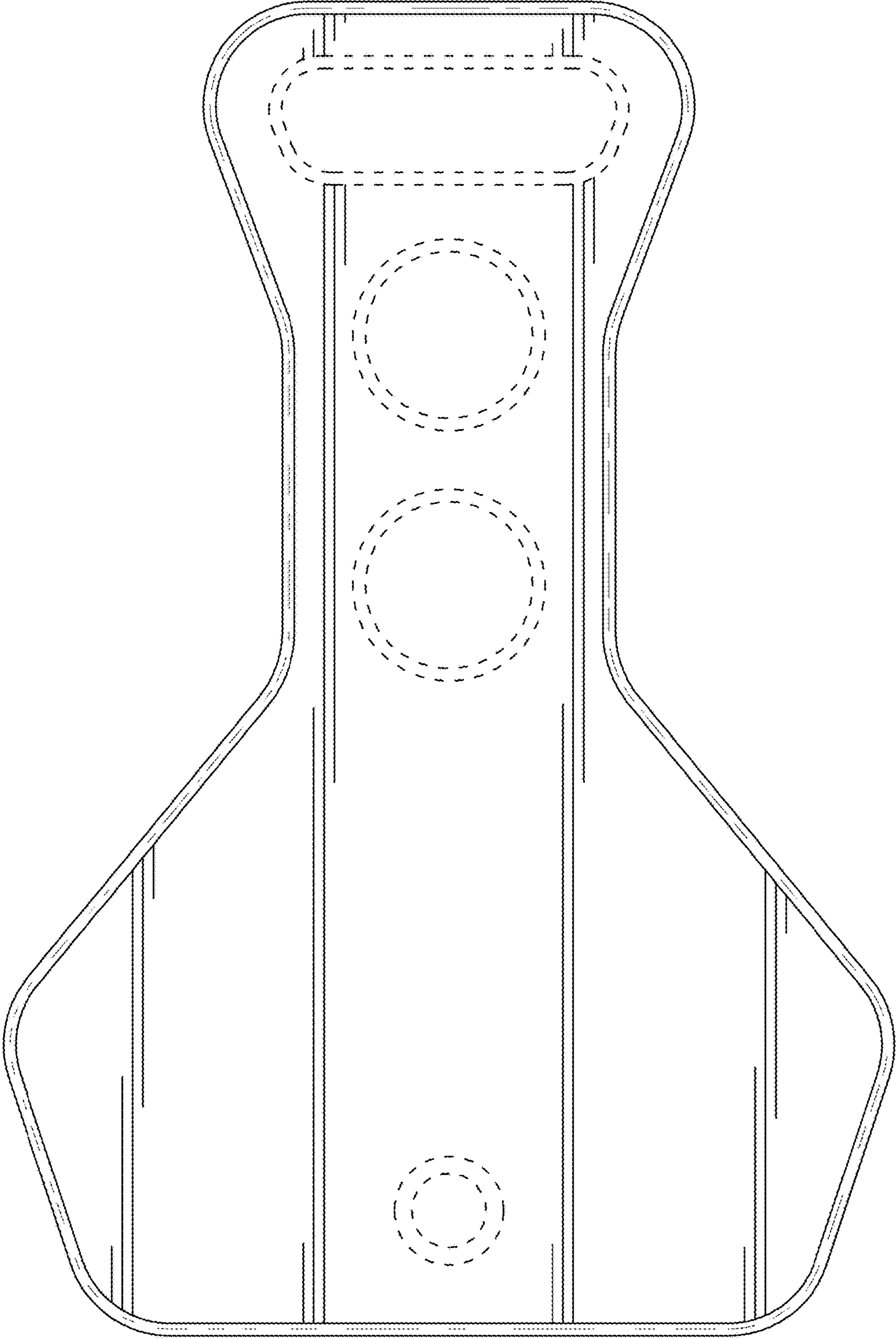


FIG. 3

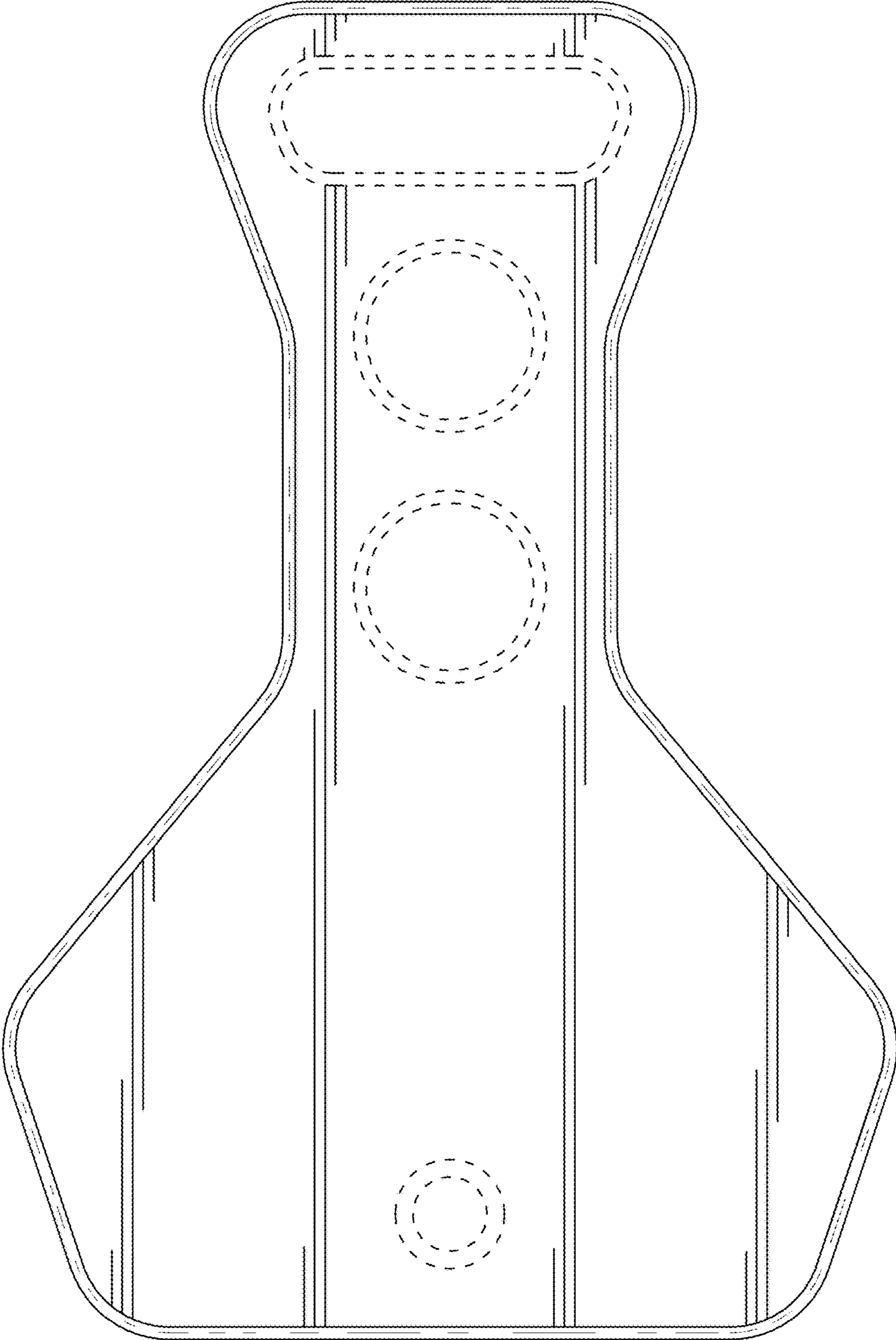


FIG. 4

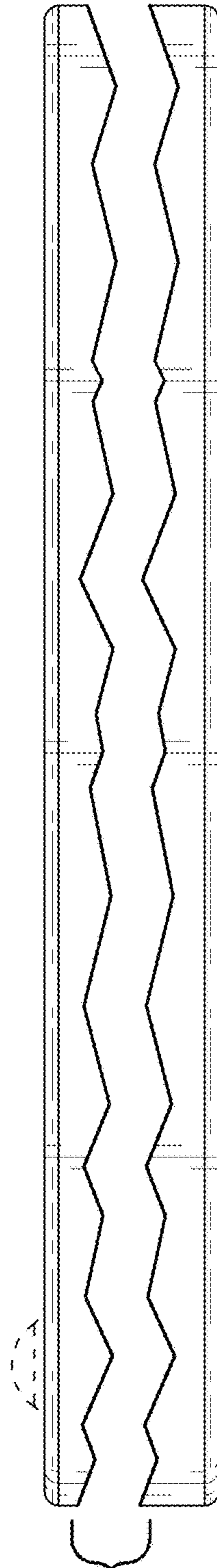


FIG. 5

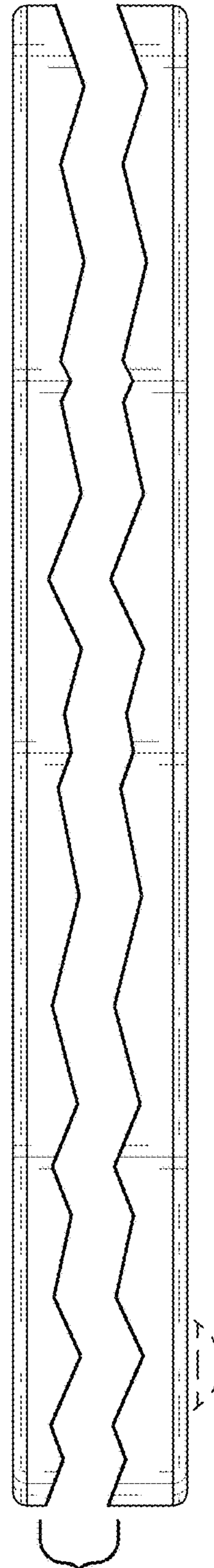


FIG. 6

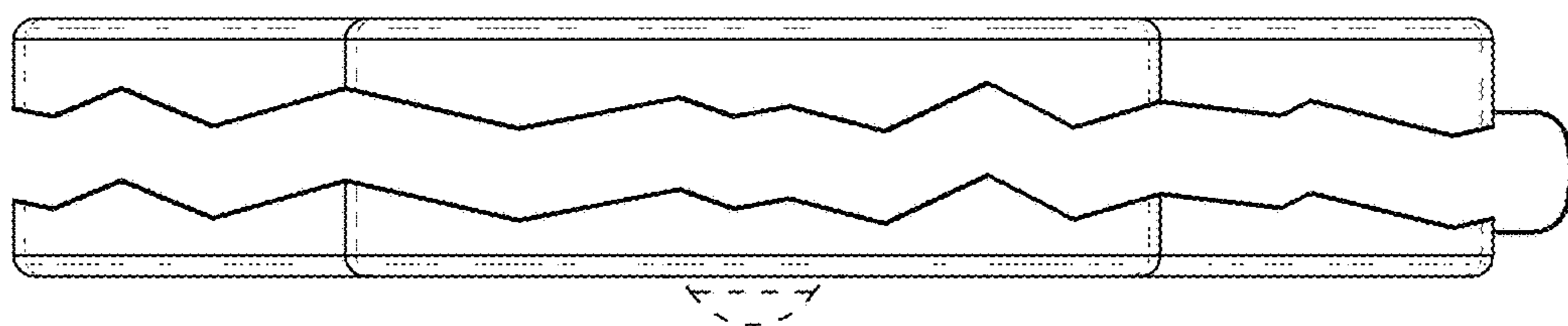


FIG. 7

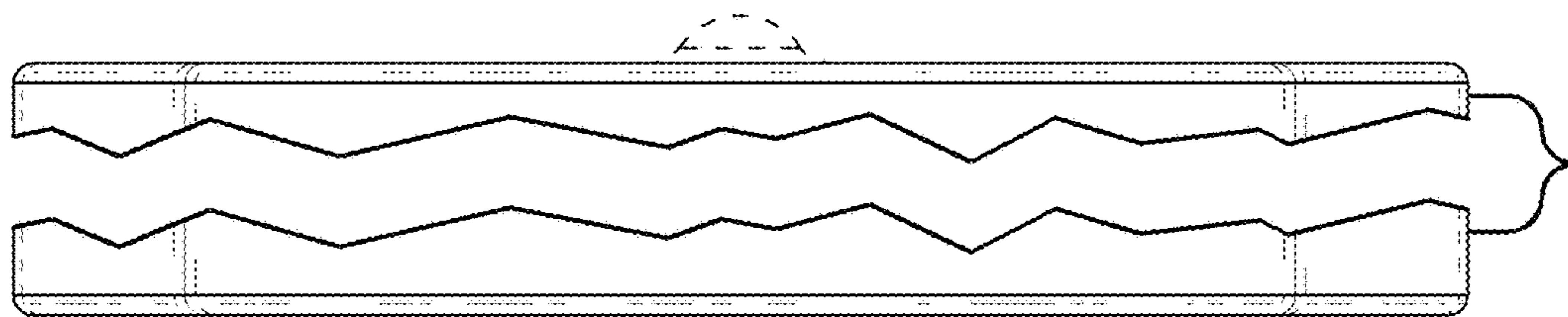


FIG. 8

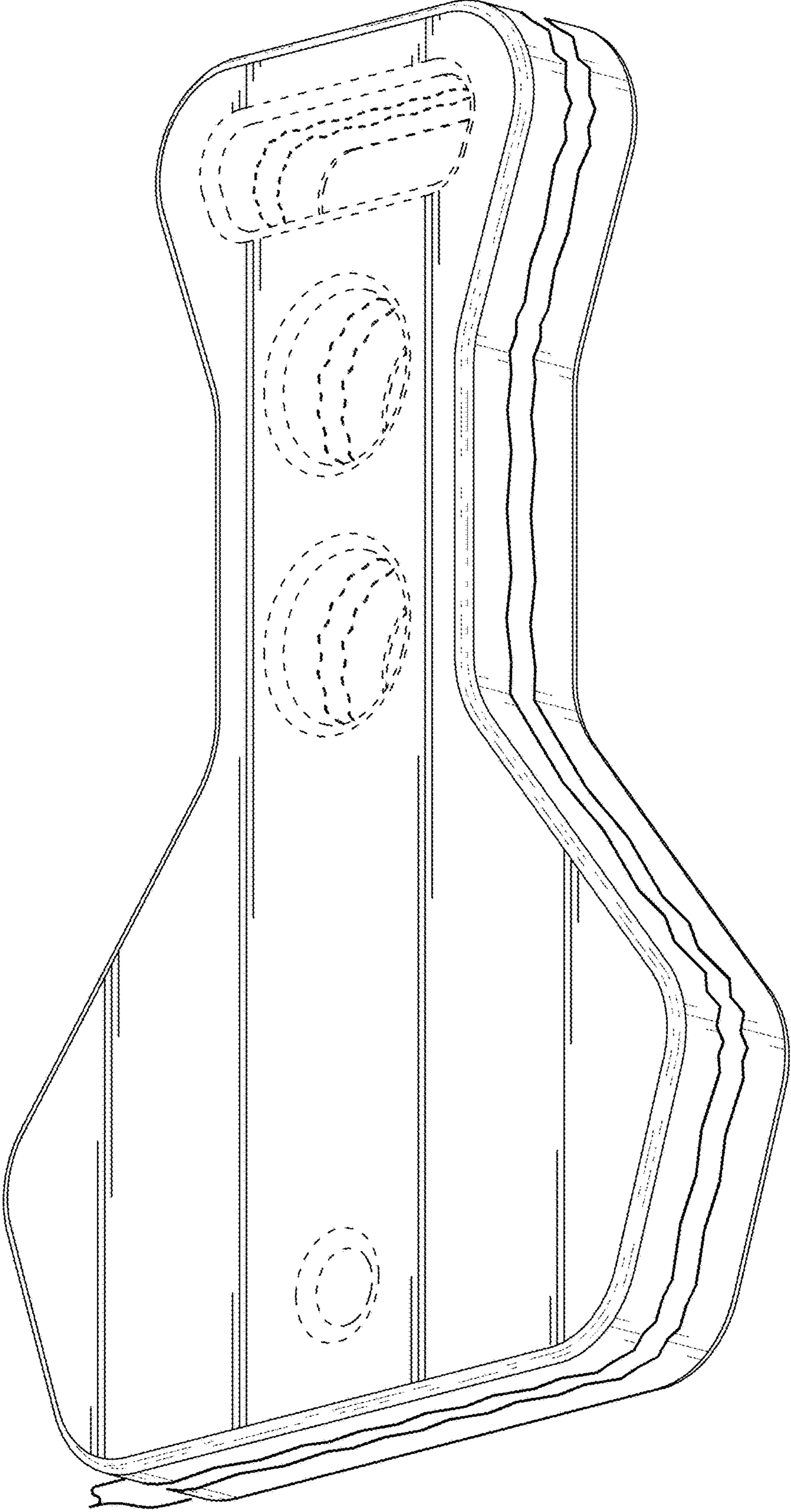


FIG. 9

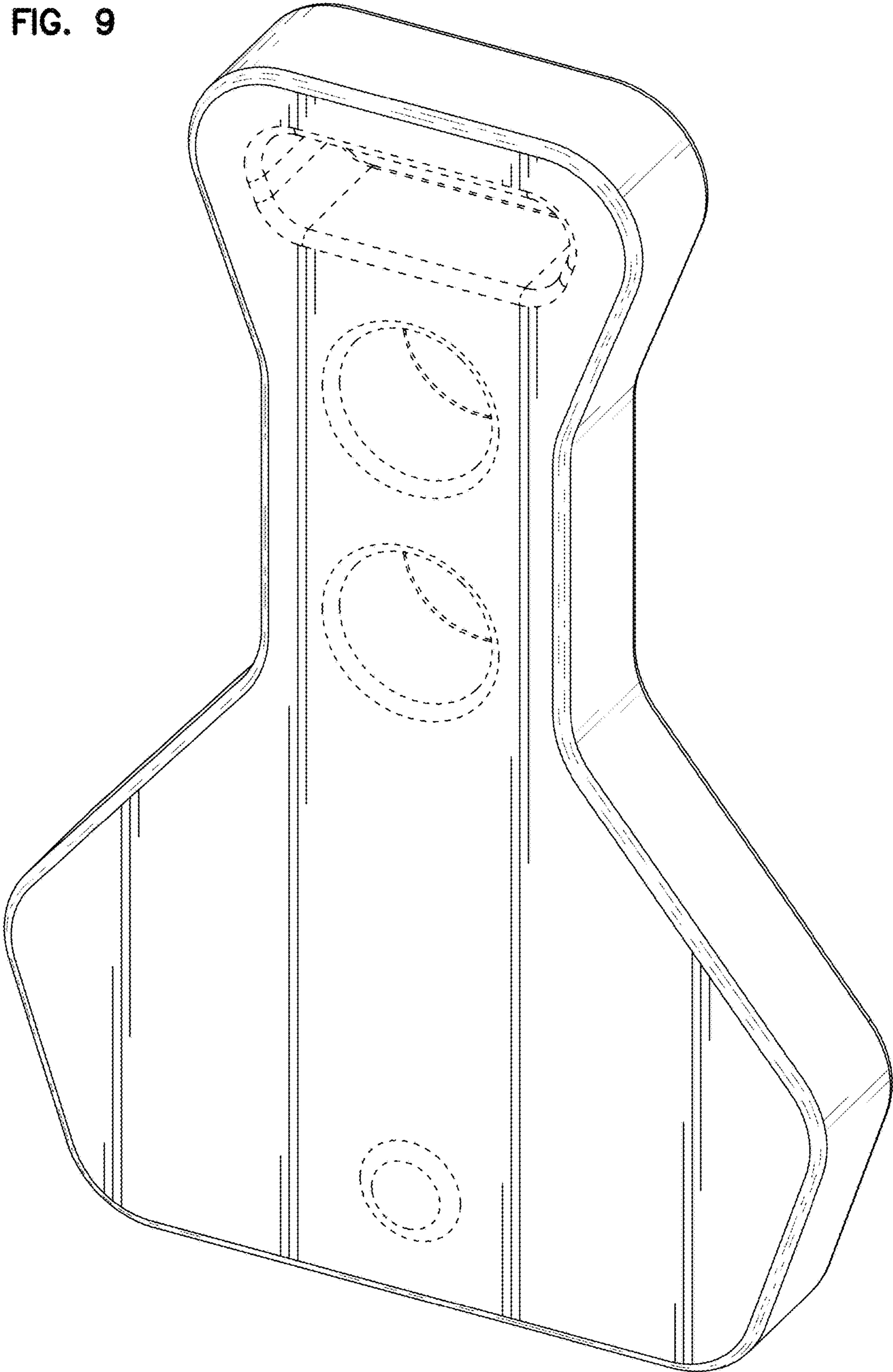


FIG. 10

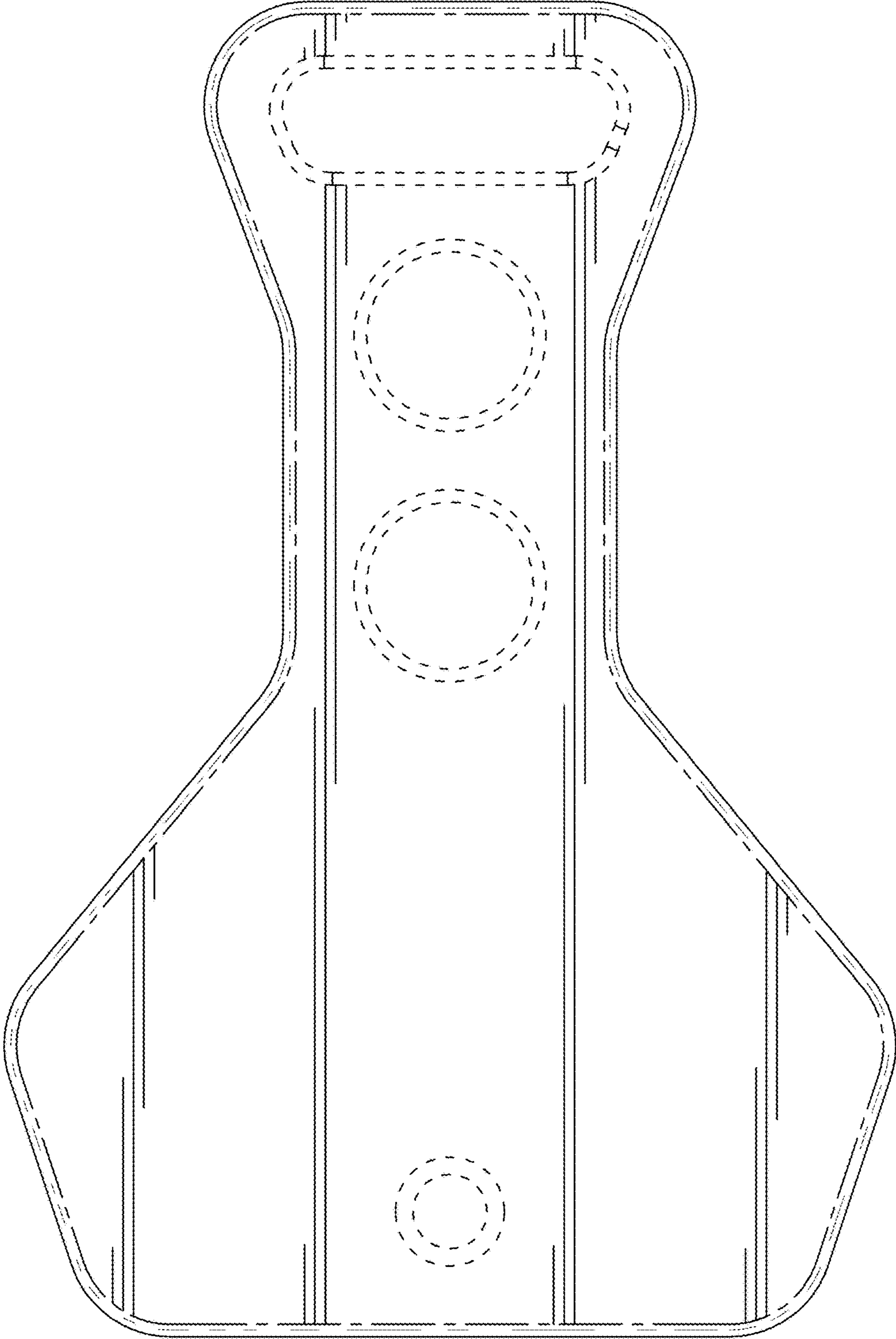


FIG. 11

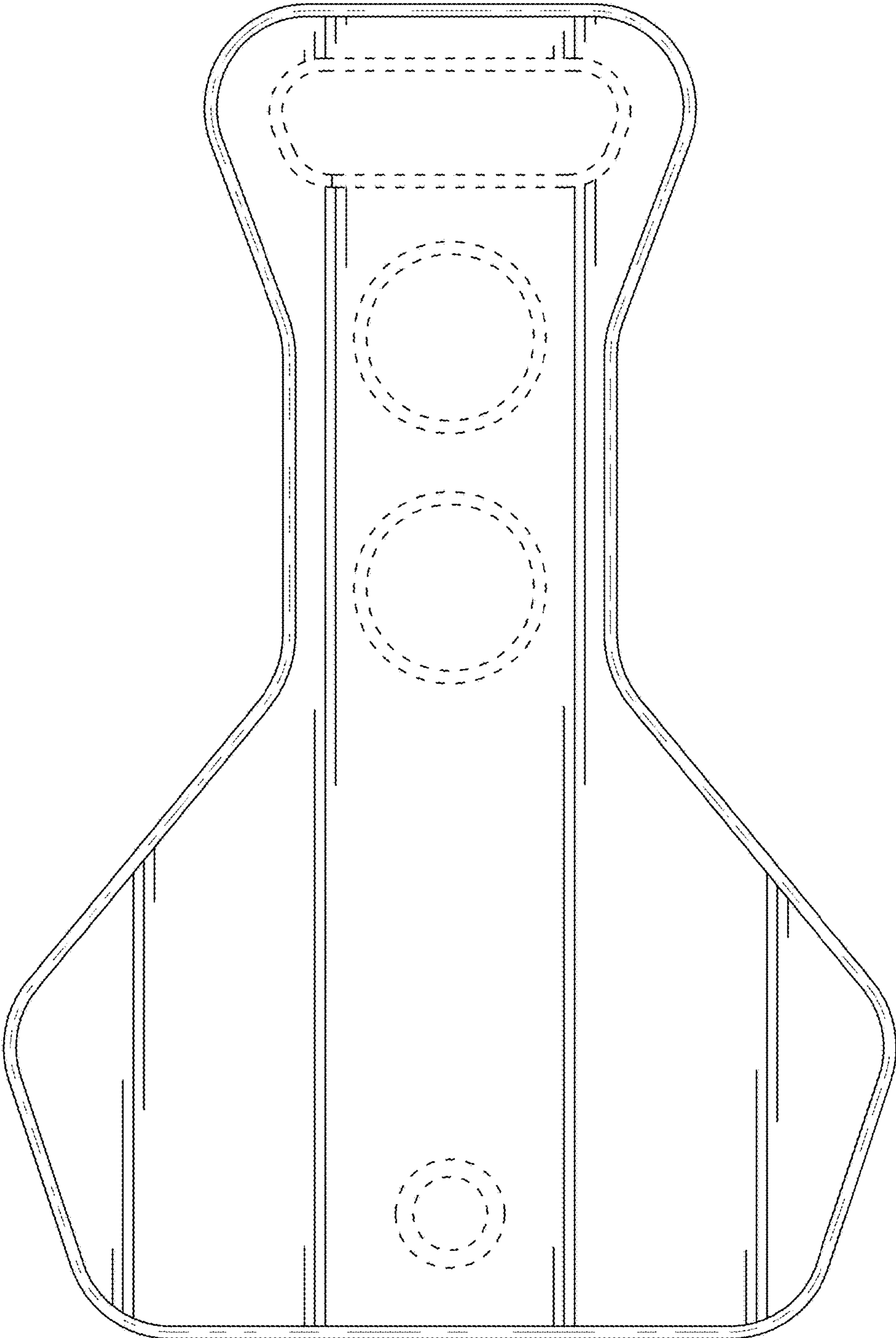


FIG. 12

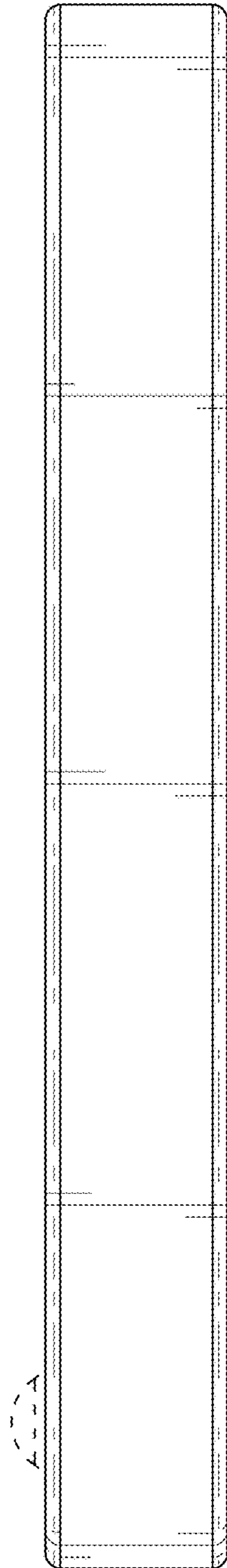


FIG. 13

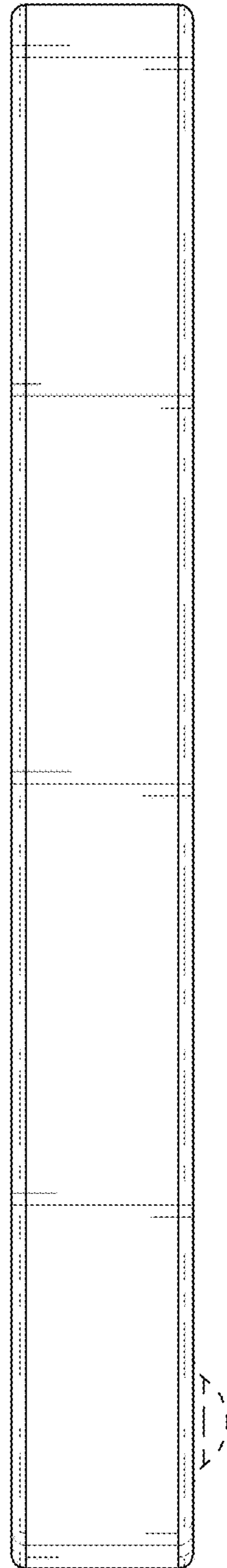


FIG. 14

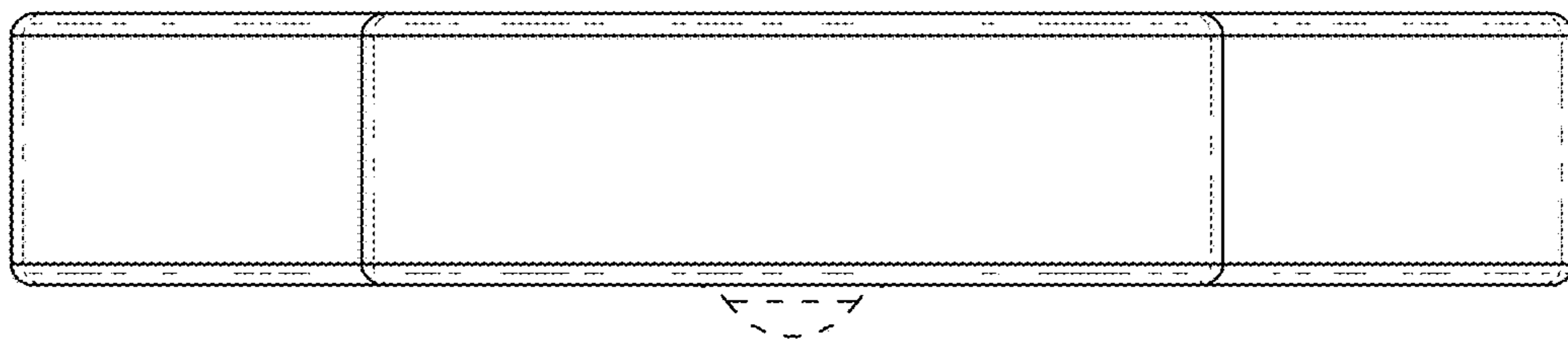


FIG. 15

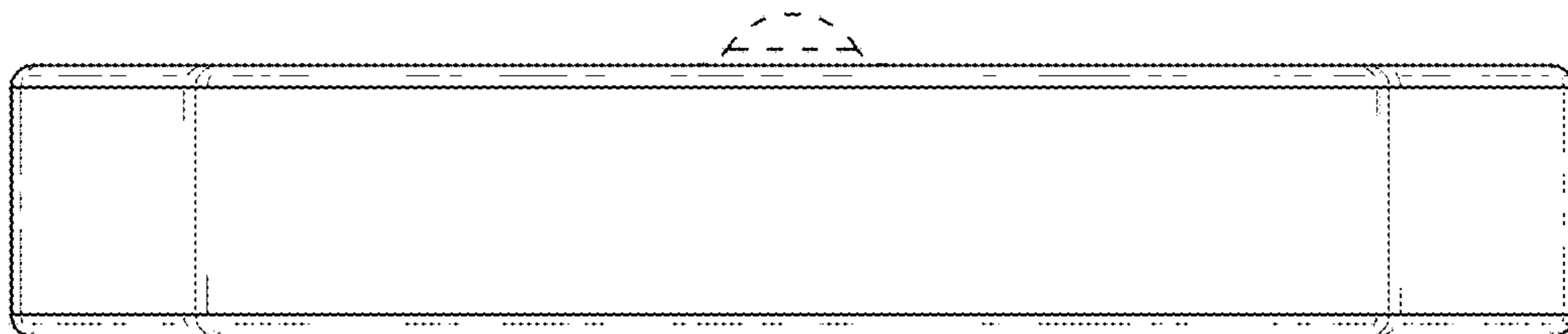


FIG. 16

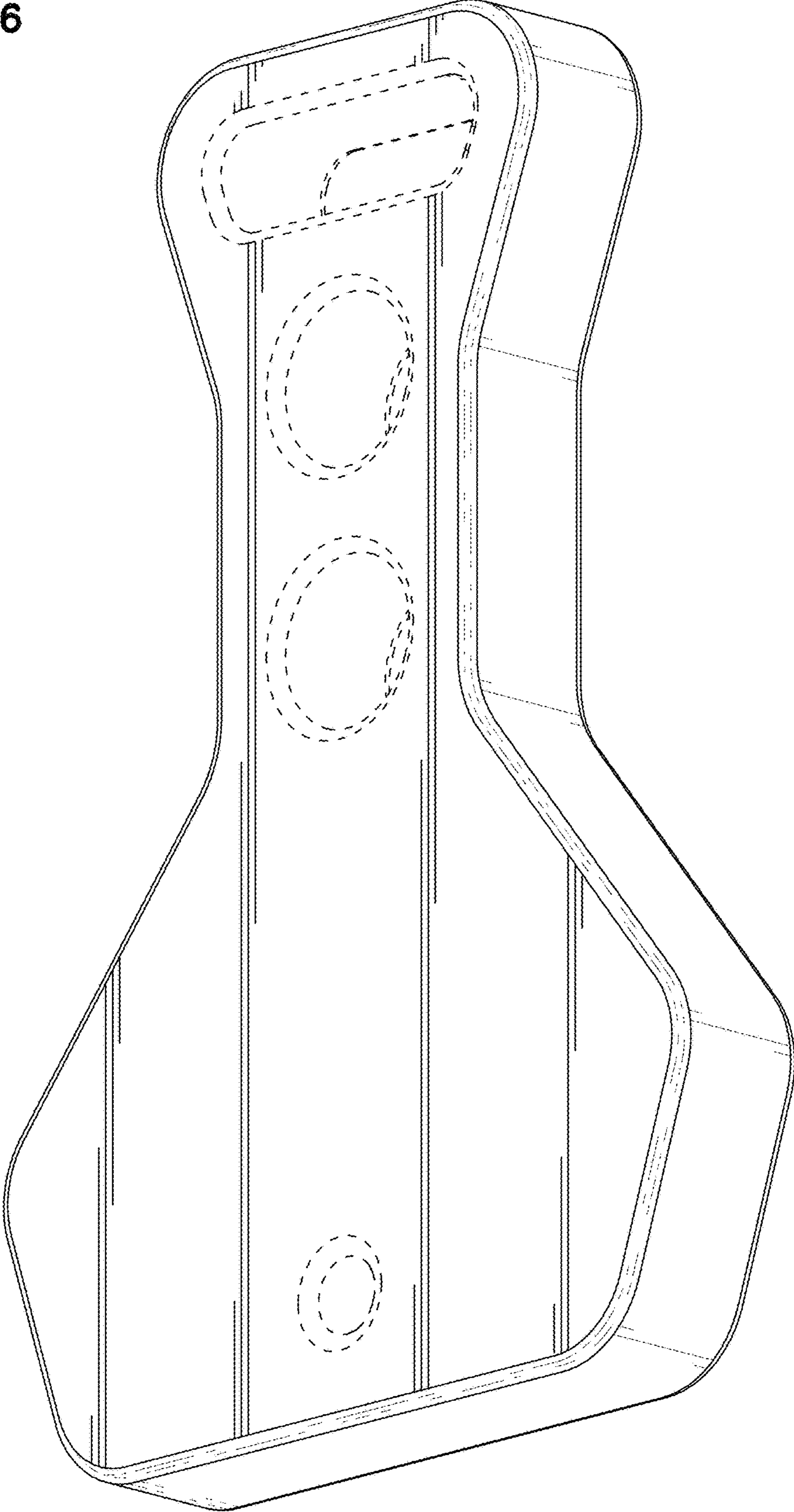


FIG. 17

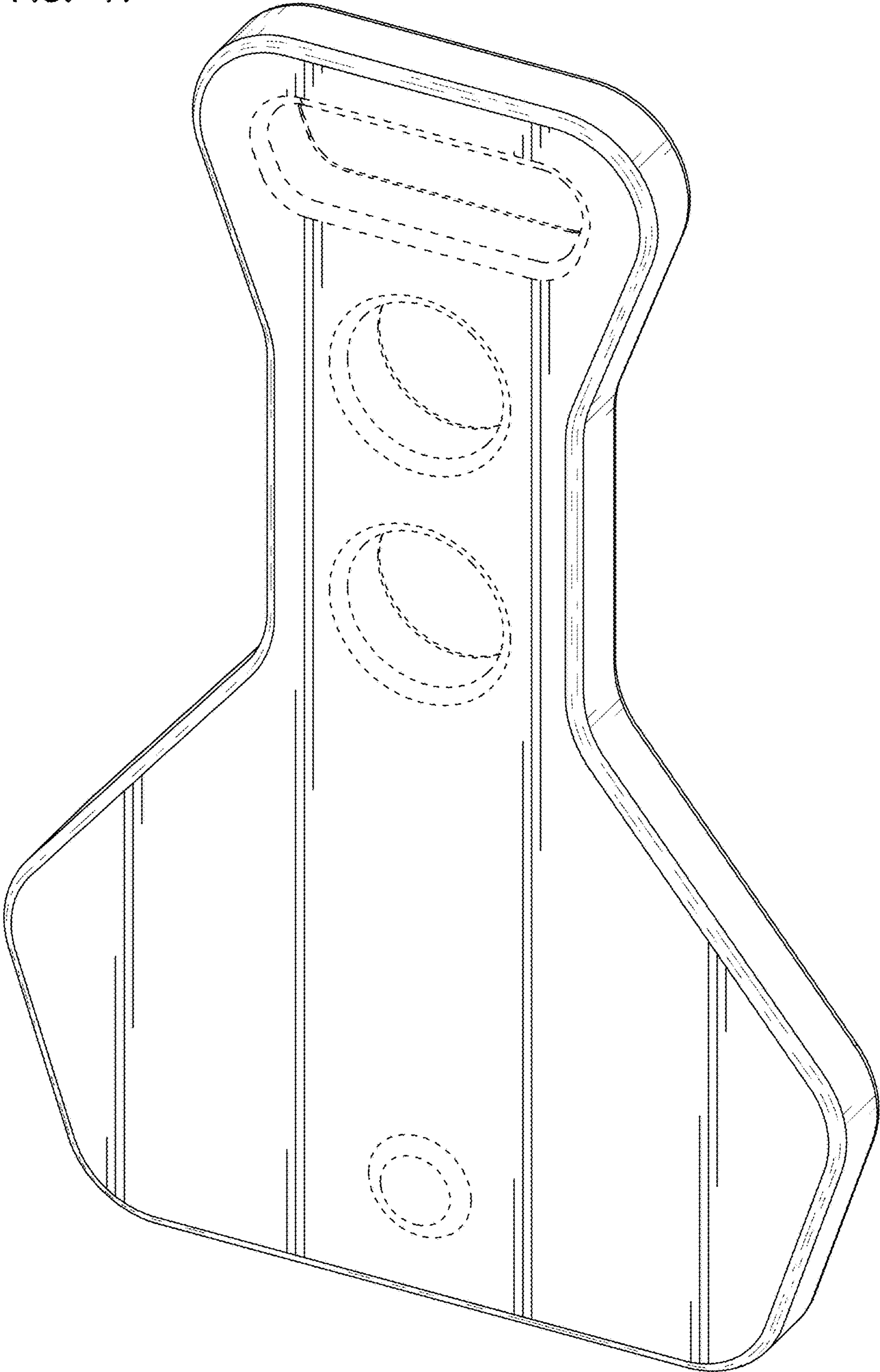


FIG. 18

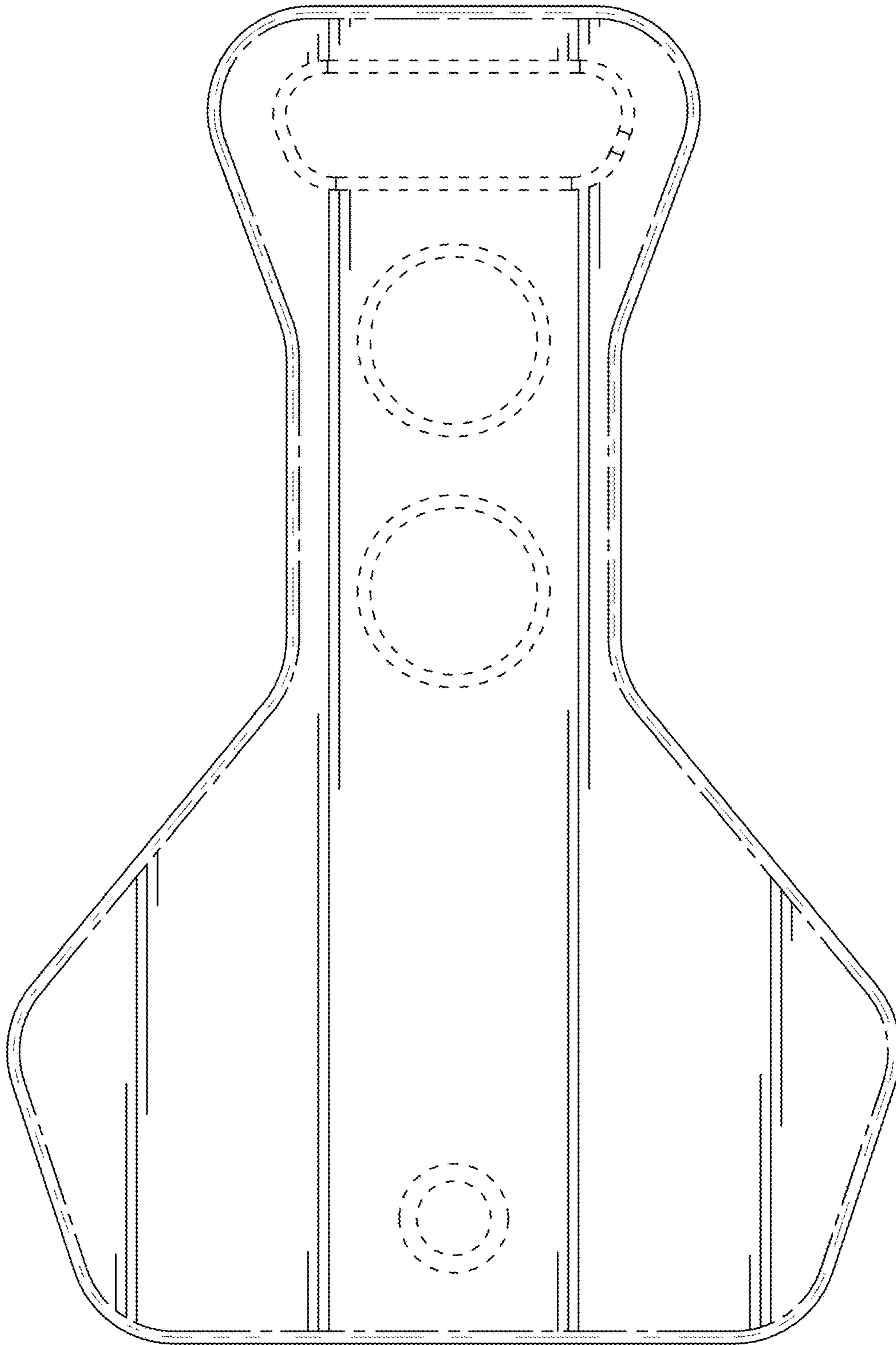


FIG. 19

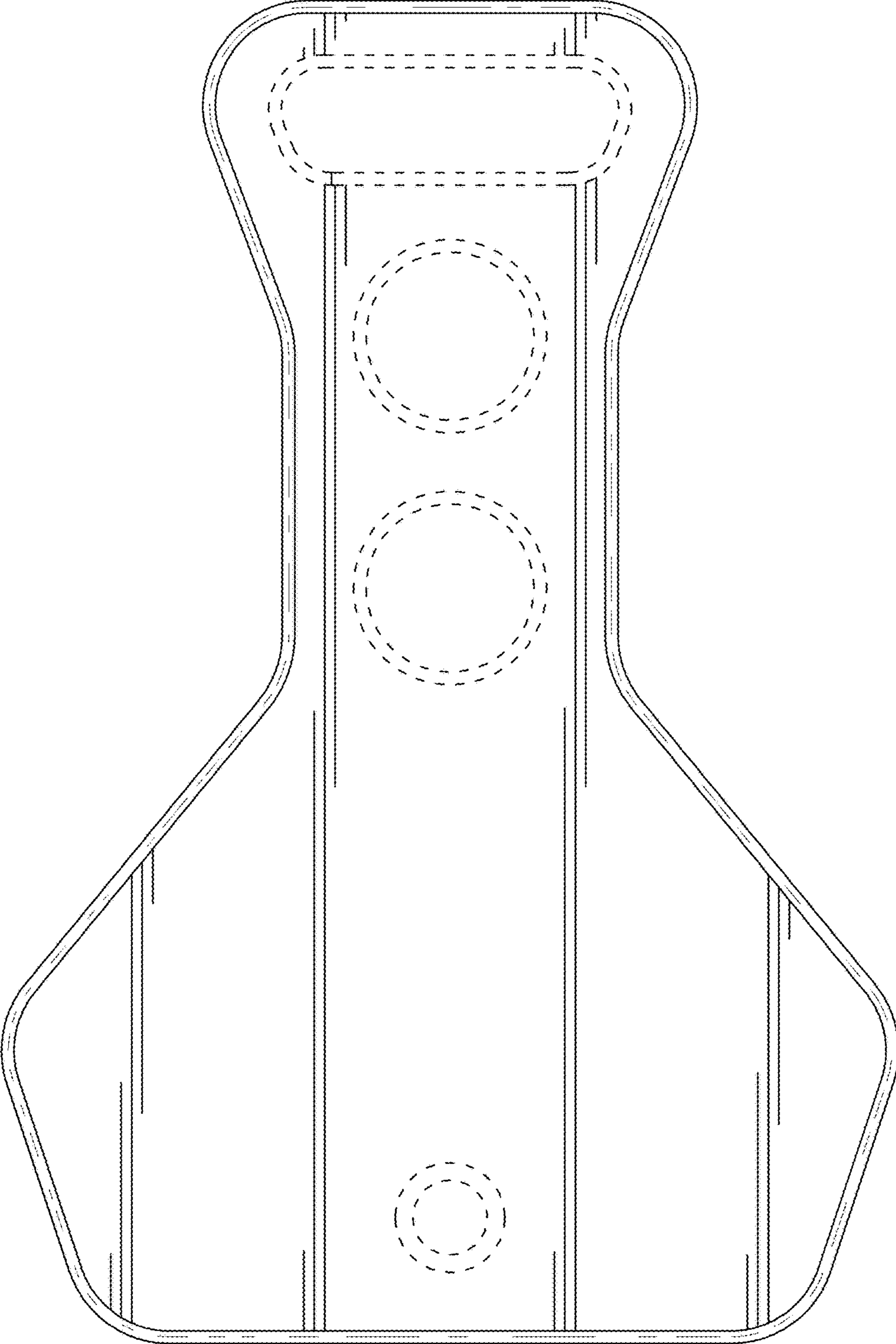


FIG. 20

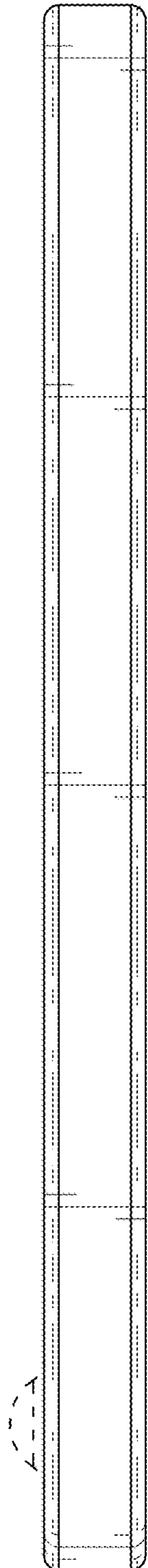


FIG. 21

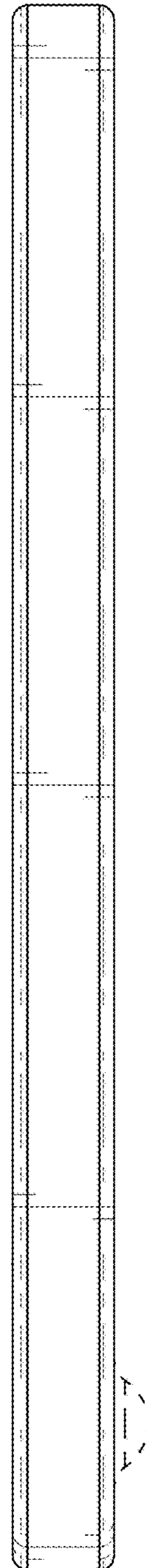


FIG. 22

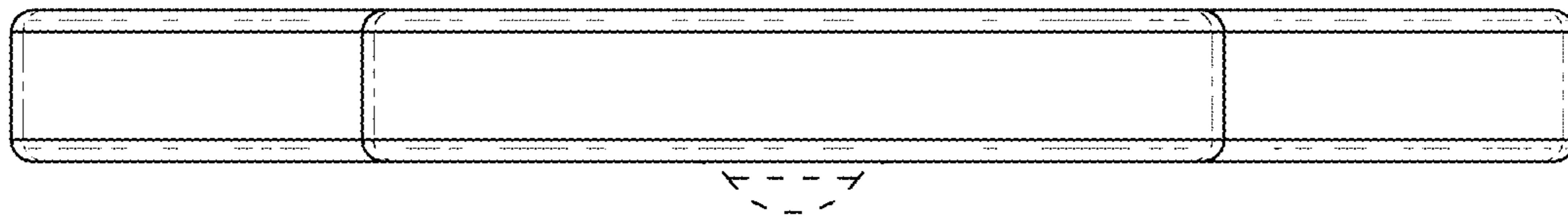


FIG. 23

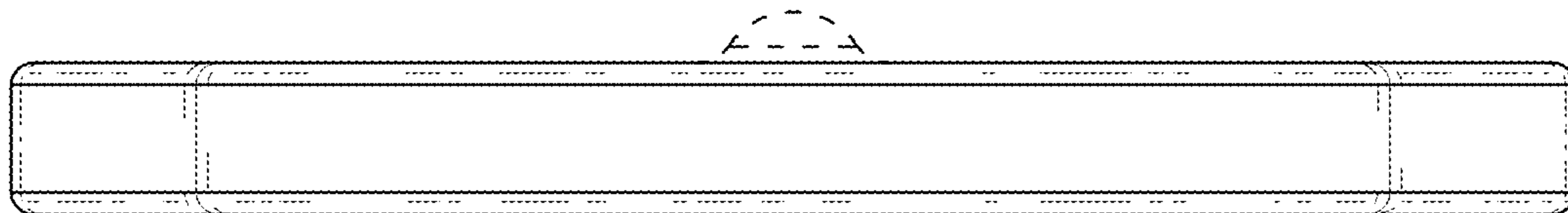


FIG. 24

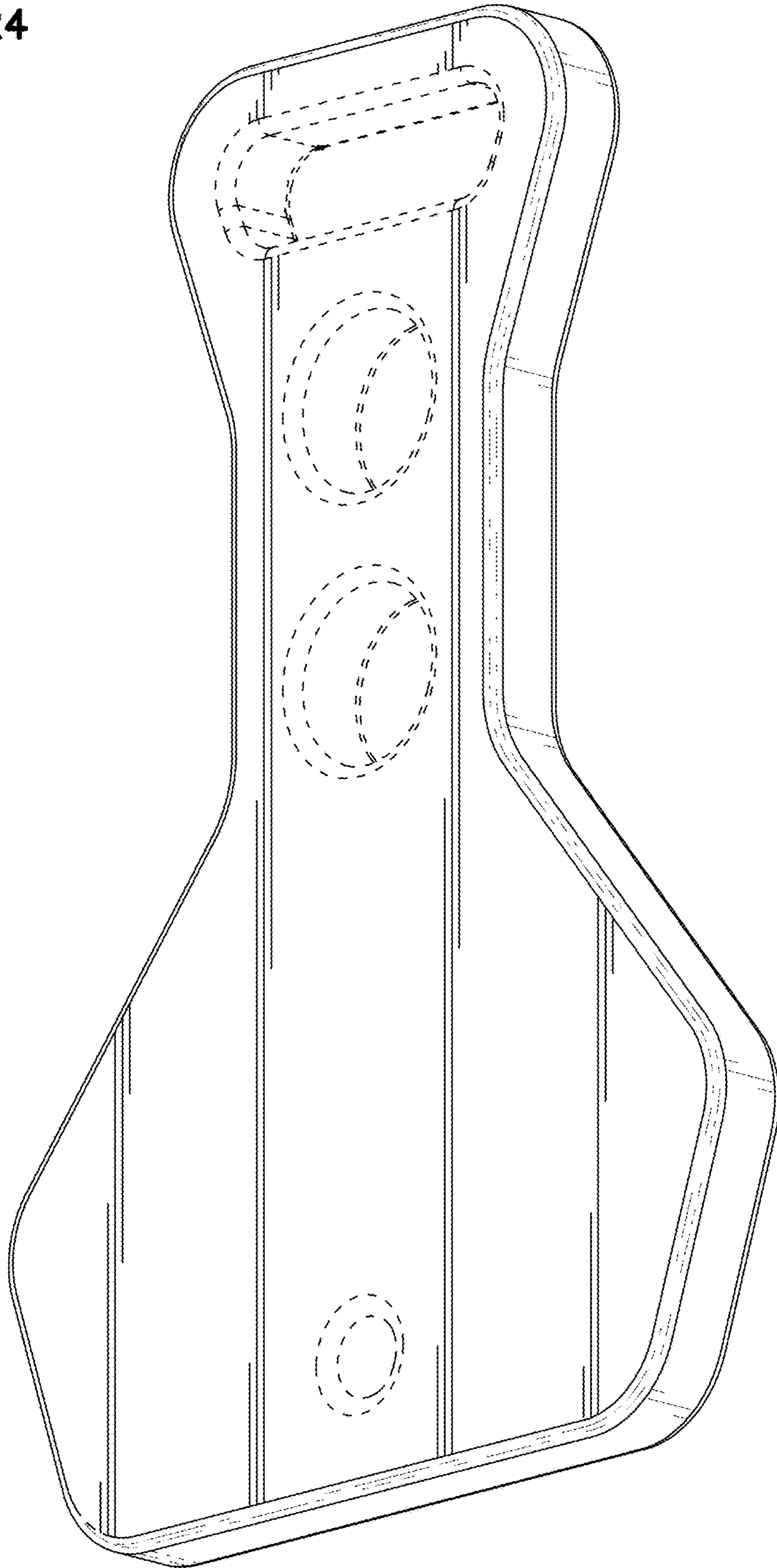


FIG. 25

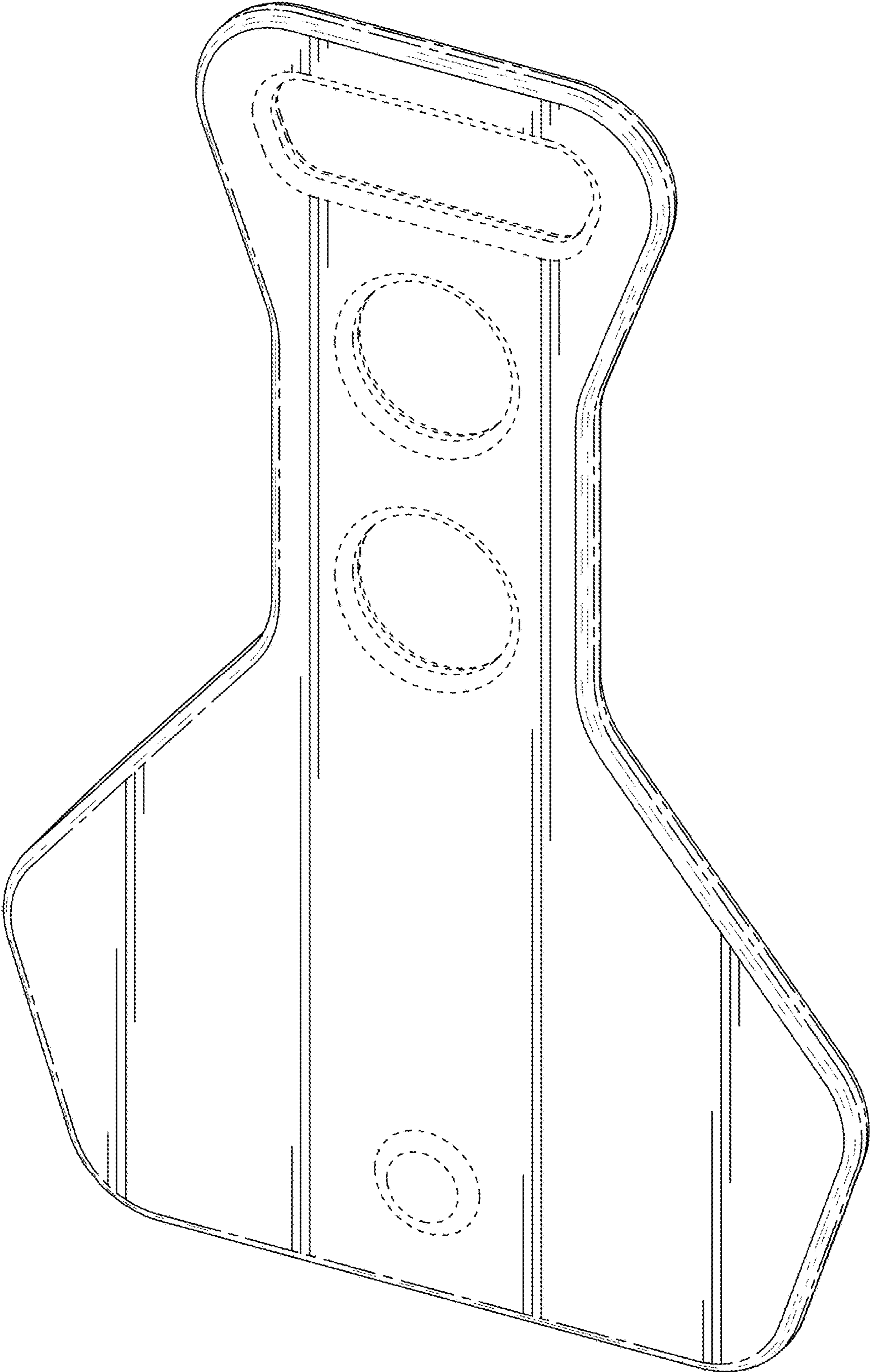


FIG. 26

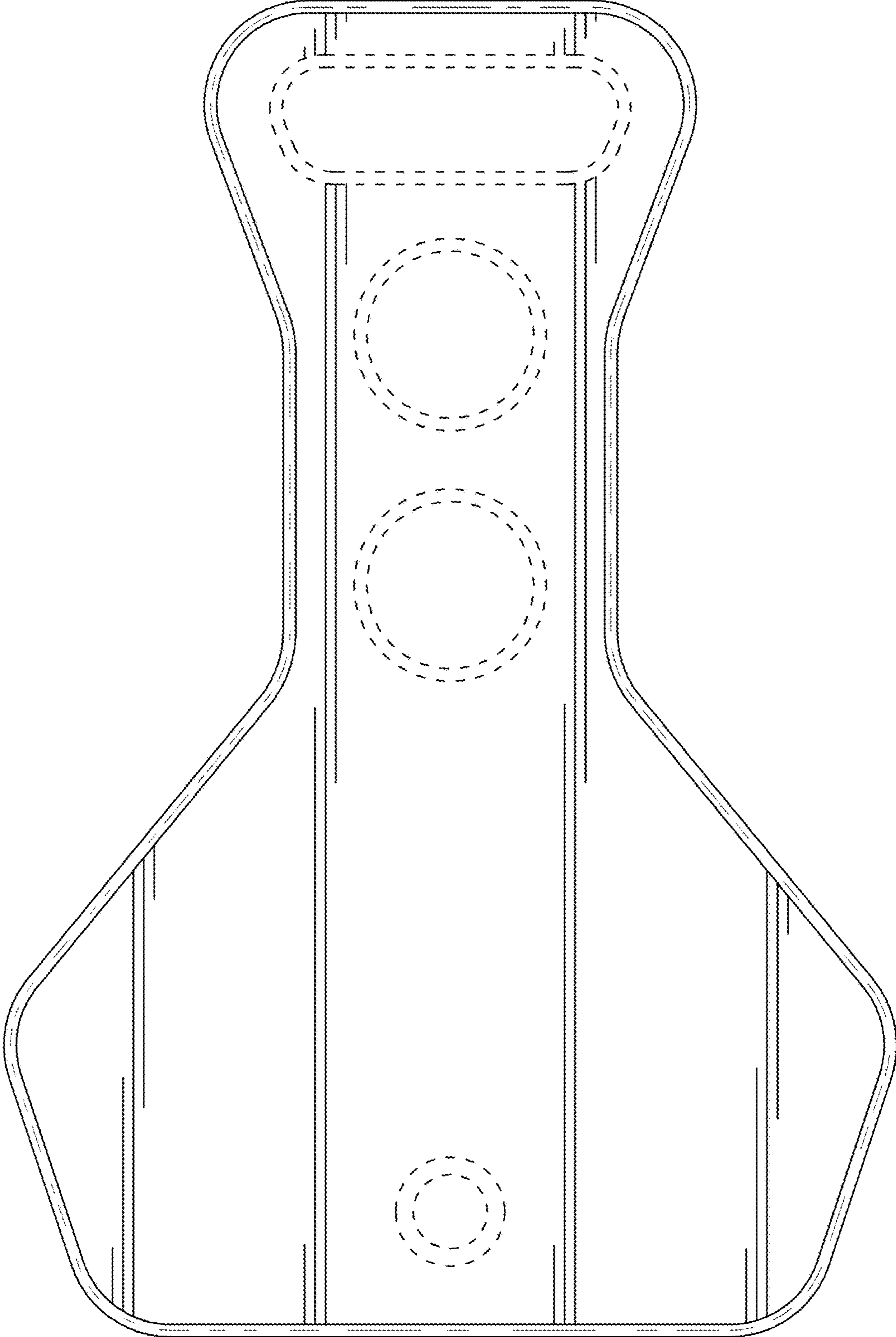


FIG. 27

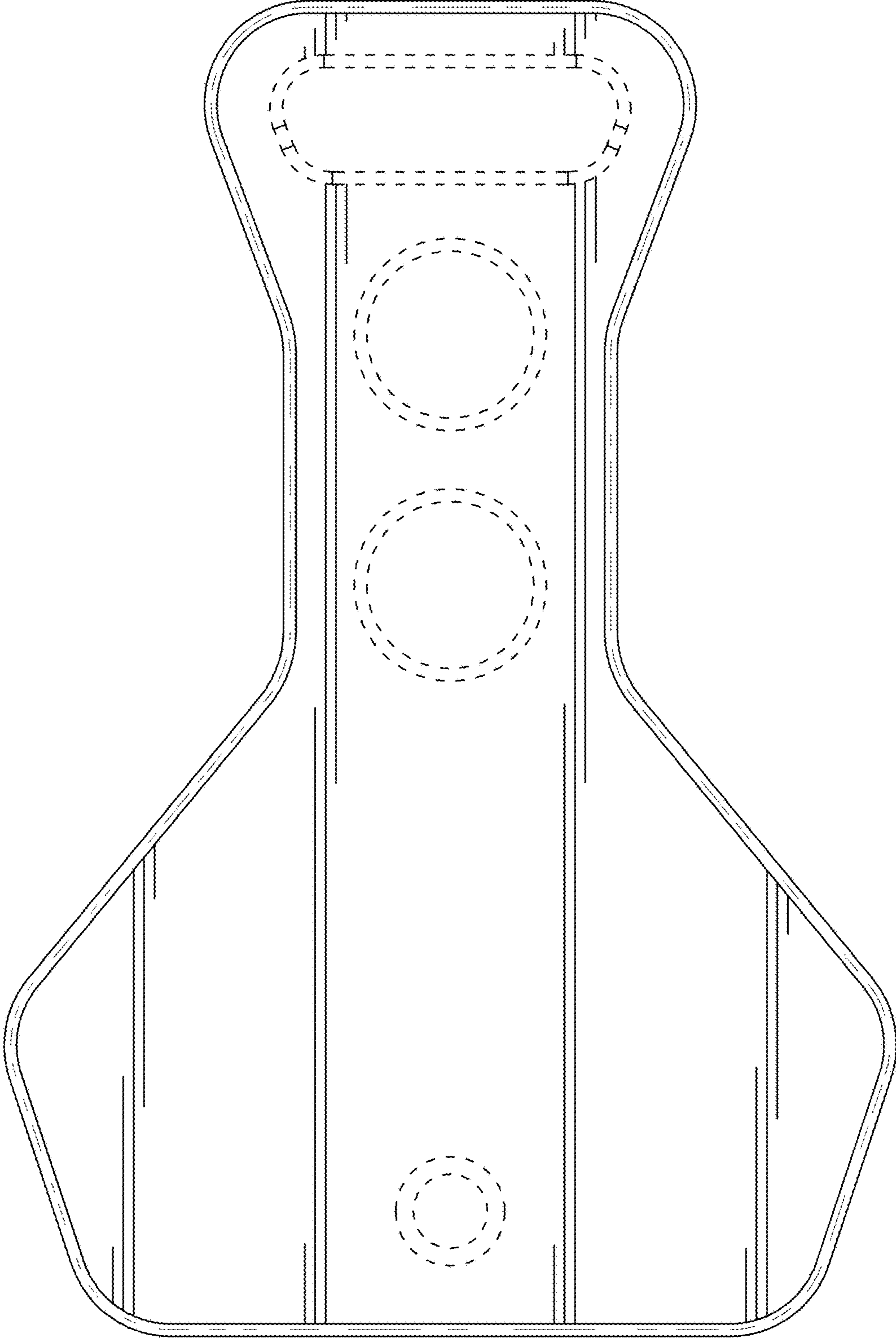


FIG. 28

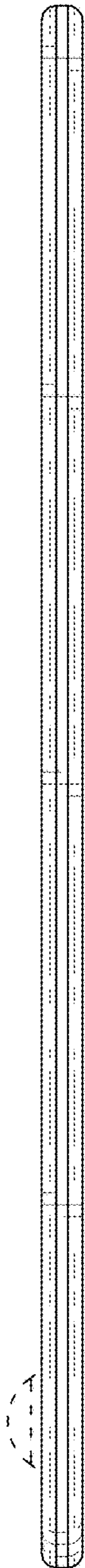


FIG. 29

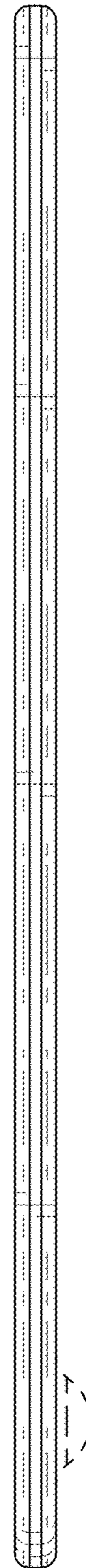


FIG. 30



FIG. 31



FIG. 32

