



US00D812695S

(12) **United States Design Patent**  
**Zaifman**

(10) **Patent No.:** **US D812,695 S**  
(45) **Date of Patent:** **\*\* Mar. 13, 2018**

(54) **CONSTRUCTION TOY**

(71) Applicant: **Yosef Zaifman**, Yavne (IL)

(72) Inventor: **Yosef Zaifman**, Yavne (IL)

(\*\*) Term: **15 Years**

(21) Appl. No.: **29/575,155**

(22) Filed: **Aug. 23, 2016**

(30) **Foreign Application Priority Data**

Mar. 7, 2016 (IL) ..... 58187

(51) **LOC (11) Cl.** ..... **21-01**

(52) **U.S. Cl.**  
USPC ..... **D21/501**

(58) **Field of Classification Search**  
USPC ..... D21/386, 389, 404, 468, 470, 471,  
D21/484-505; 446/69, 85, 102-128;  
434/208, 259, 403; 273/153, 156, 160;  
D25/113-116, 118

CPC ..... A63H 33/00; A63H 33/04; A63H 33/044;  
A63H 33/06; A63H 33/08; A63H 33/084;  
A63H 33/086; A63H 33/088; A63H  
33/10; A63H 33/12; A63H 33/105; A63H  
33/108; A63H 3/00; A63H 3/16; A63H  
3/46; E04C 1/00; E04C 1/40; E04B 2/14;  
E04B 2/16; E04B 2/18

See application file for complete search history.

(56) **References Cited**

**U.S. PATENT DOCUMENTS**

3,367,063 A \* 2/1968 Bondesen ..... A63H 33/101  
446/119

4,107,894 A \* 8/1978 Mullins ..... E04B 2/18  
52/592.6  
D370,034 S \* 5/1996 Kipfer ..... D21/386  
5,826,394 A \* 10/1998 Barton, Jr. .... A63H 33/044  
446/100  
D403,028 S \* 12/1998 Barton, Jr. .... D21/486  
D616,044 S \* 5/2010 Tervo ..... D21/499  
D616,045 S \* 5/2010 Tervo ..... D21/499  
D689,956 S \* 9/2013 Chan ..... D21/501  
D728,696 S \* 5/2015 Nowak ..... D21/484  
D763,365 S \* 8/2016 Timg ..... D21/501

\* cited by examiner

*Primary Examiner* — Cynthia M Chin

(74) *Attorney, Agent, or Firm* — Mark M. Friedman

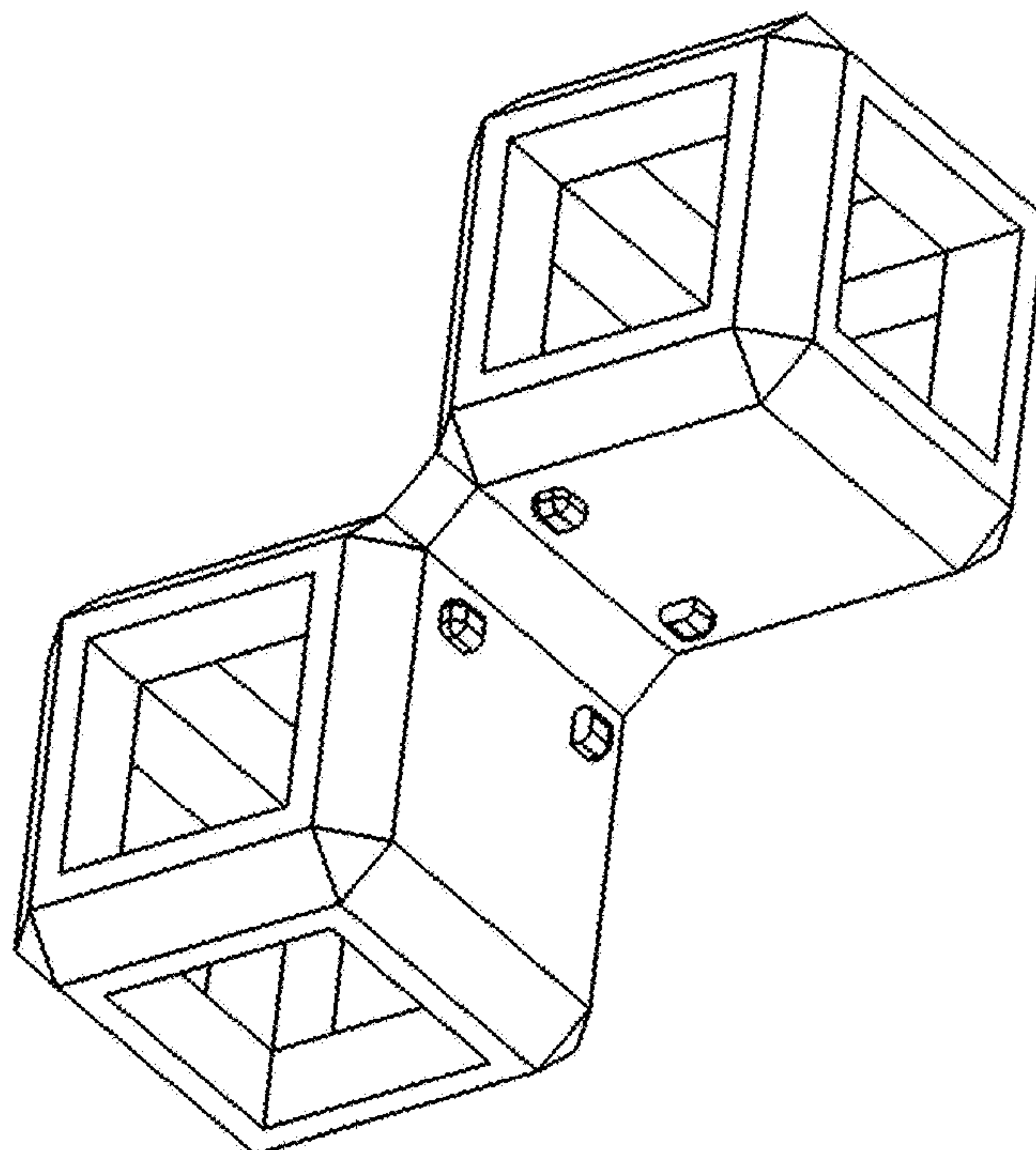
(57) **CLAIM**

The ornamental design for a construction toy, as shown.

**DESCRIPTION**

FIG. 1 is a front view of a construction toy showing my design;  
FIG. 2 is a left side view thereof;  
FIG. 3 is a right side view thereof;  
FIG. 4 is a top view thereof;  
FIG. 5 is a bottom view thereof;  
FIG. 6 is a top perspective view thereof; and,  
FIG. 7 is a bottom perspective view thereof.

**1 Claim, 7 Drawing Sheets**



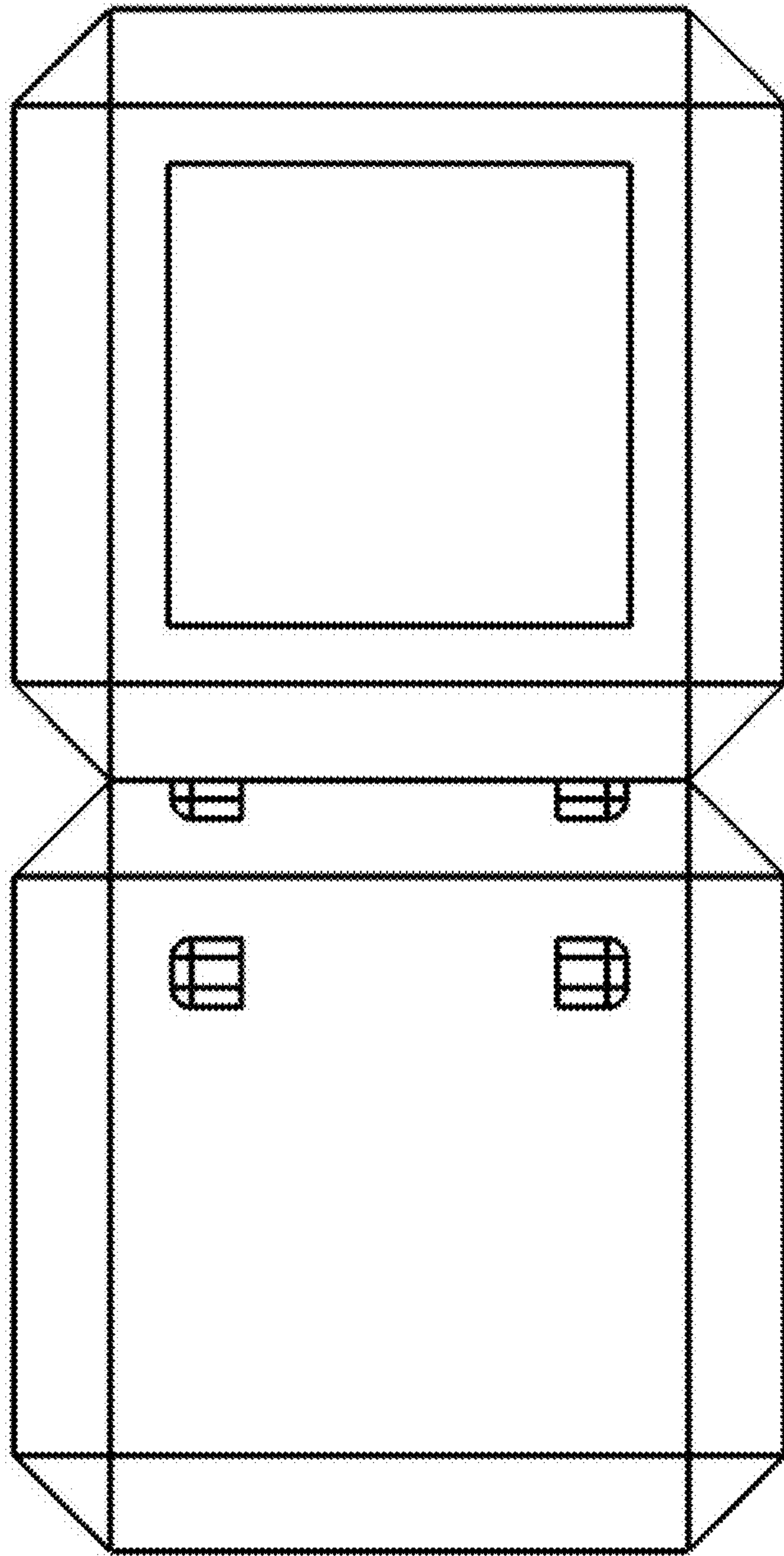


FIG. 1

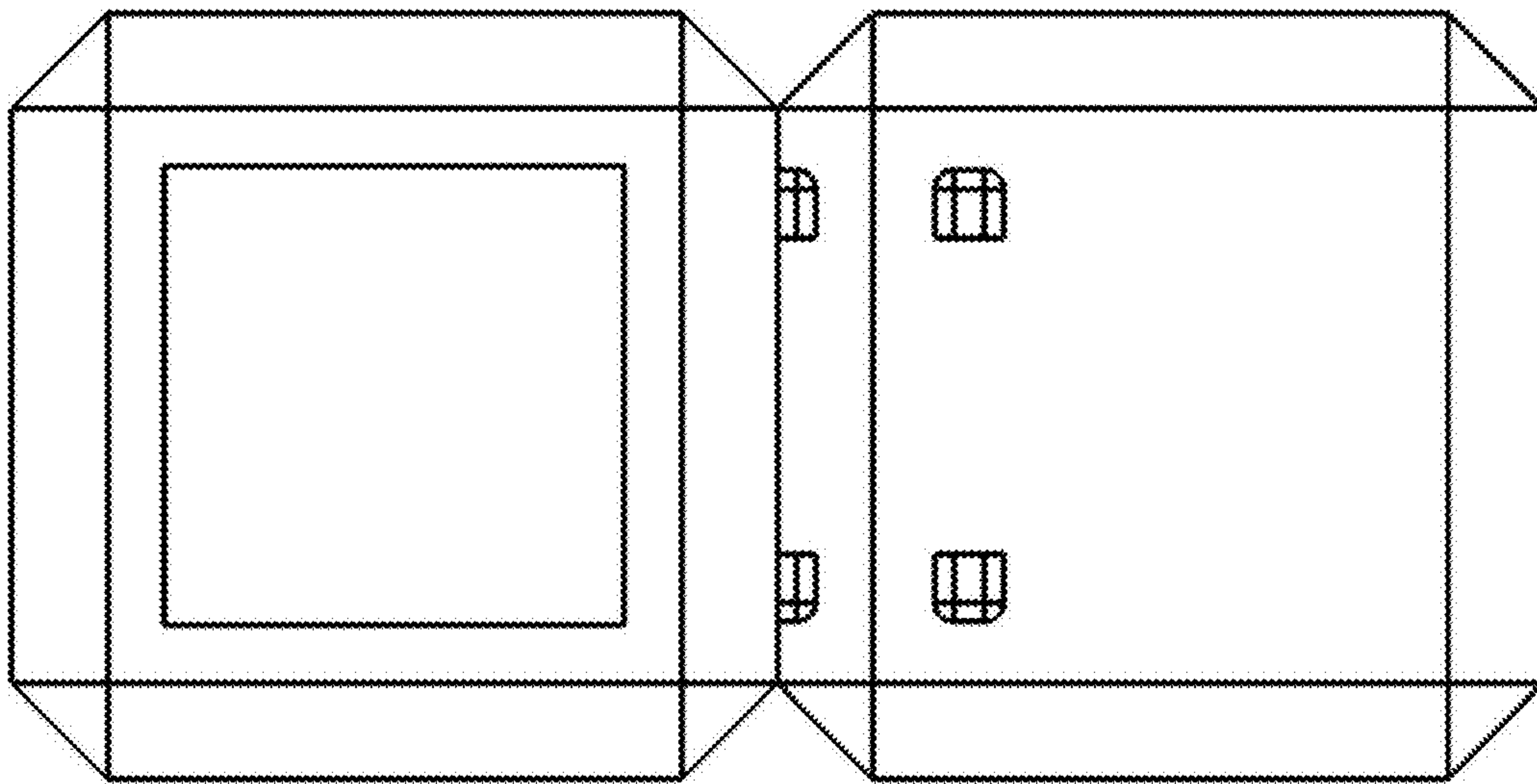


FIG. 2

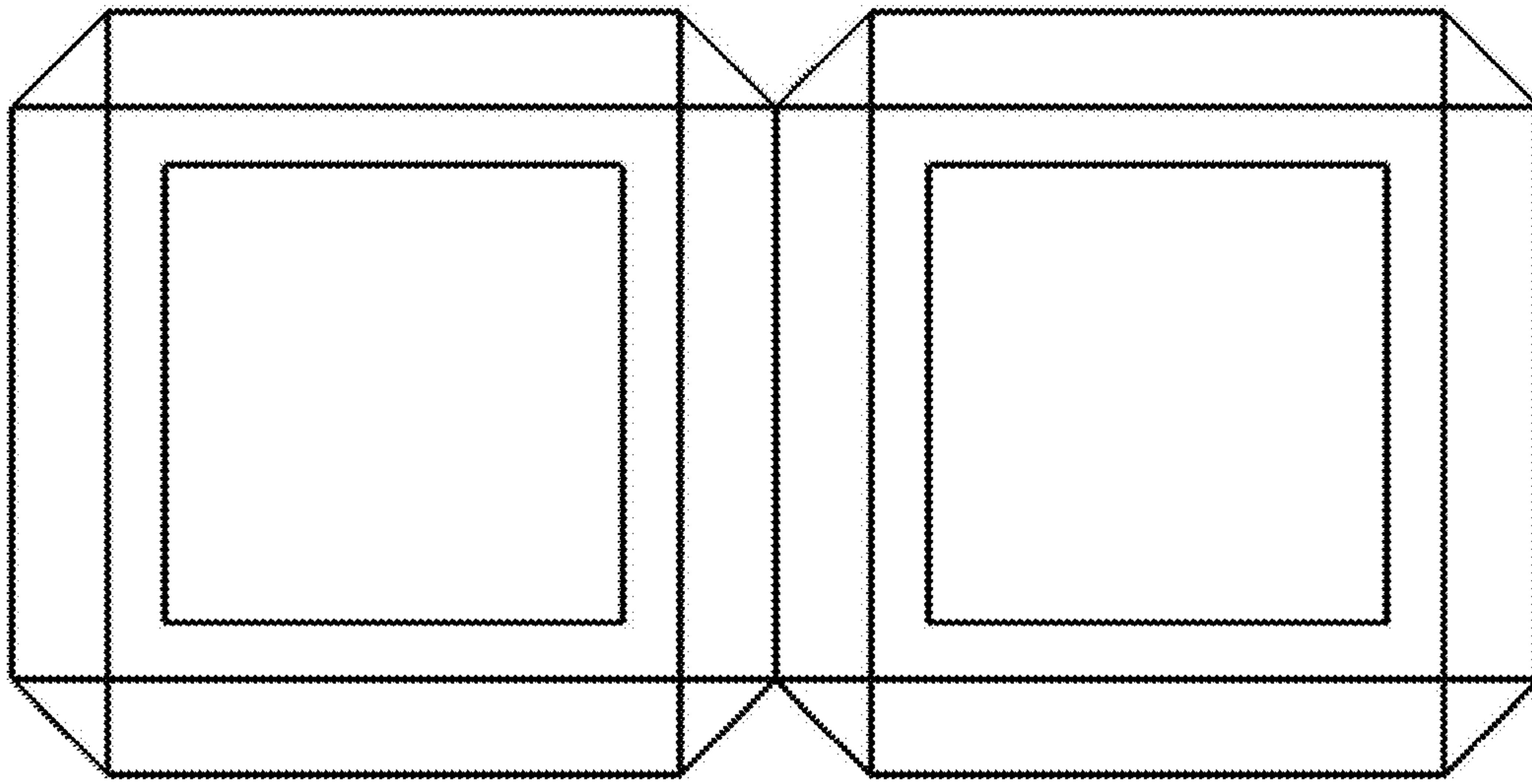


FIG. 3

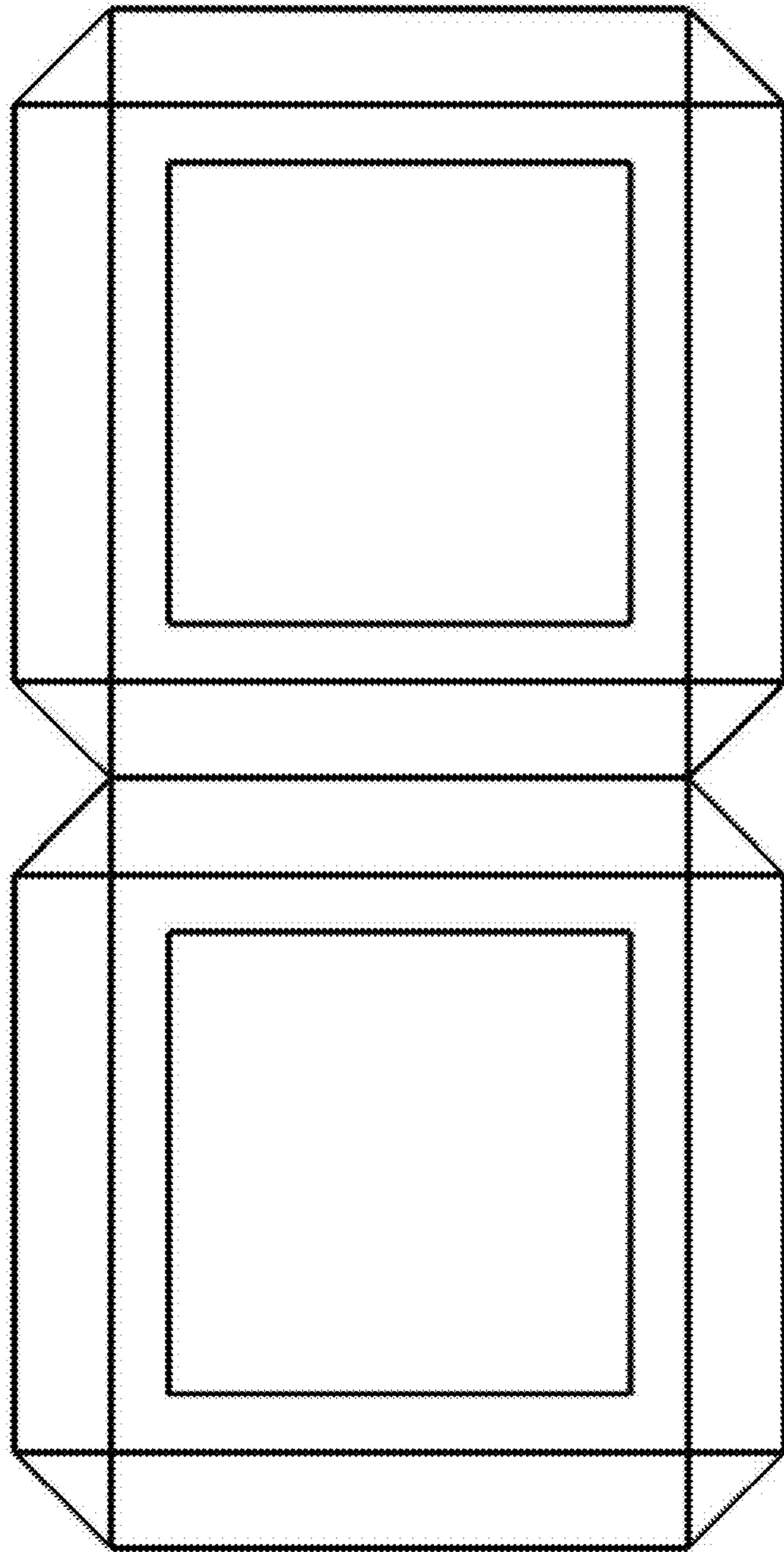


FIG. 4



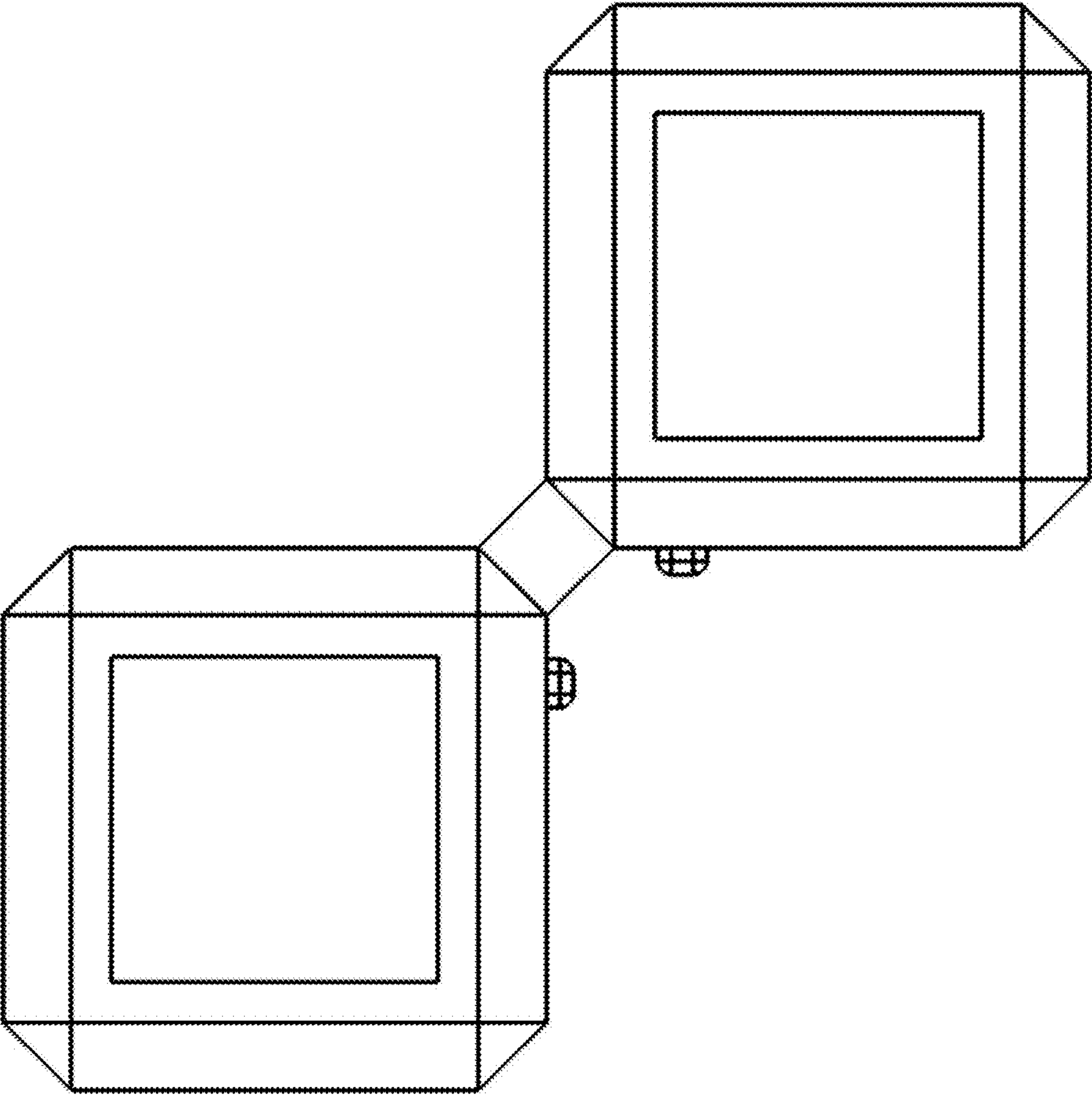


FIG. 5

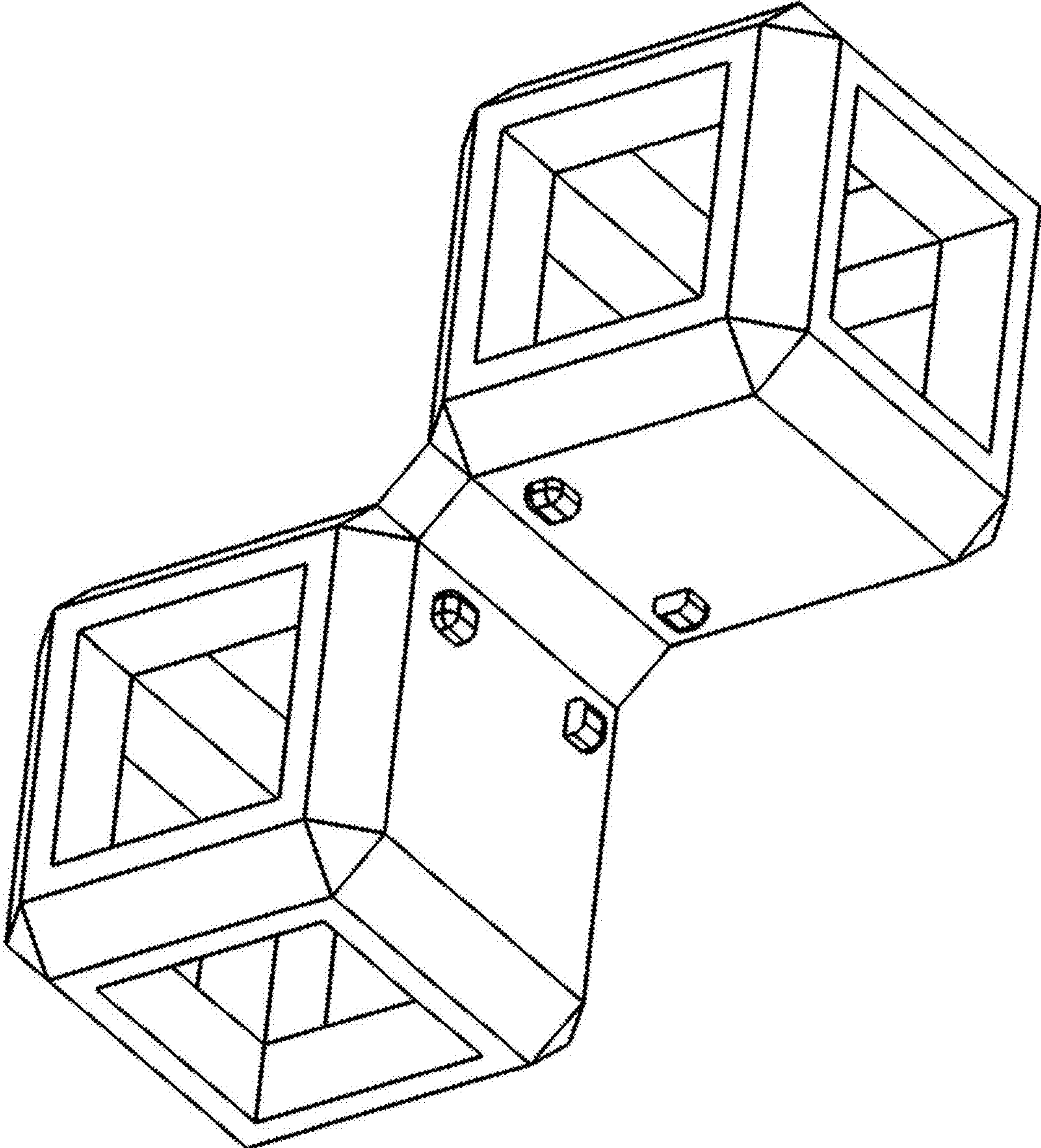


FIG. 6

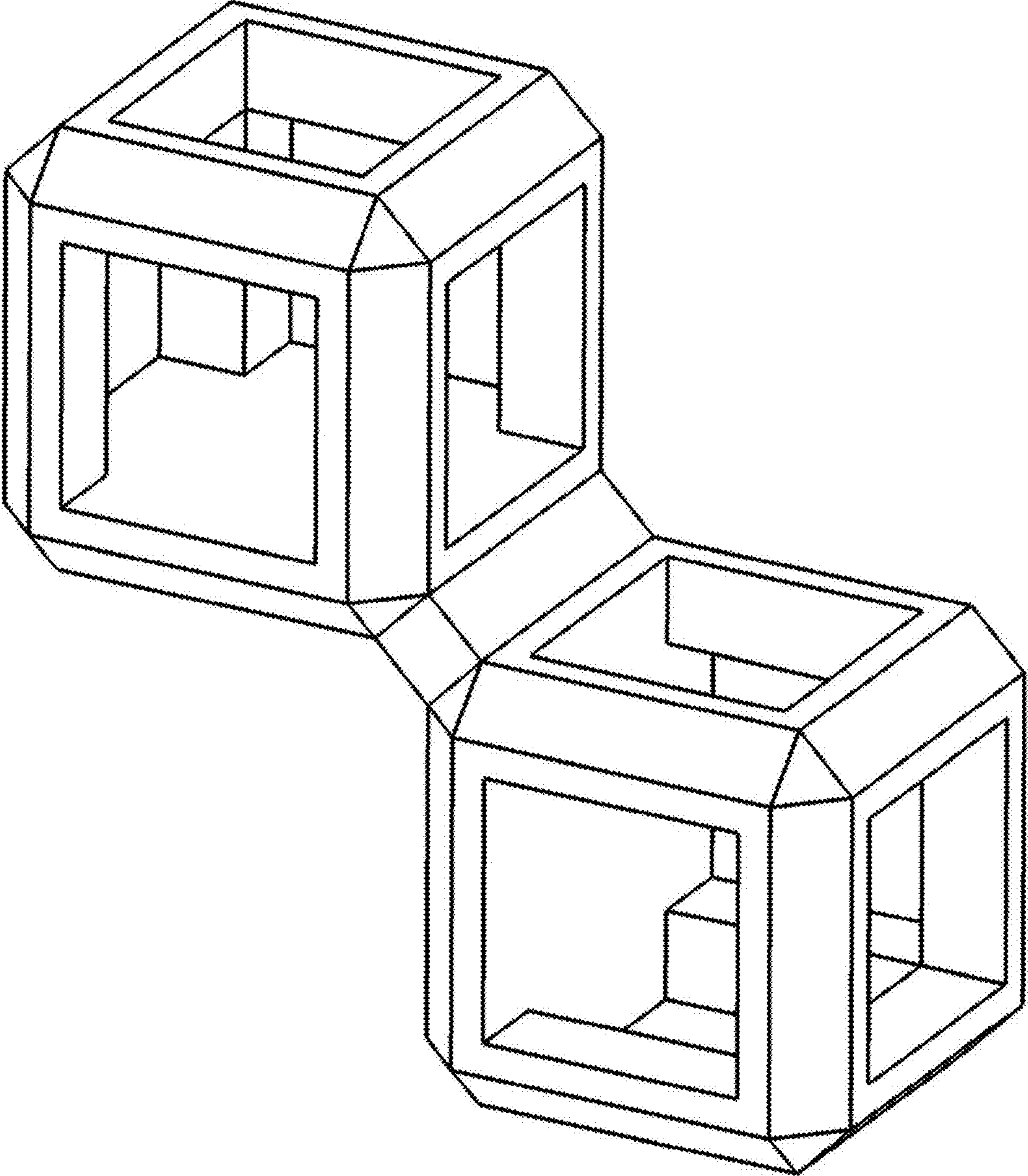


FIG. 7