



US00D812694S

(12) **United States Design Patent**  
**Nissen**

(10) **Patent No.:** **US D812,694 S**

(45) **Date of Patent:** **\*\* Mar. 13, 2018**

(54) **TOY SCOOTER**

(71) Applicant: **Jesper Nissen**, Skodsborg (DK)

(72) Inventor: **Jesper Nissen**, Skodsborg (DK)

(\*\*) Term: **15 Years**

(21) Appl. No.: **29/589,544**

(22) Filed: **Jan. 3, 2017**

(51) **LOC (11) Cl.** ..... **21-01**

(52) **U.S. Cl.**  
USPC ..... **D21/423**

(58) **Field of Classification Search**  
USPC ..... D21/419, 421, 423, 426-428, 435, 760,  
D21/765, 771; D12/1, 8, 108, 112, 113  
CPC . B62K 3/002; B62K 9/00; B62K 9/02; B62K  
13/00; B62K 2202/00

See application file for complete search history.

(56) **References Cited**

**U.S. PATENT DOCUMENTS**

D174,349 S *	3/1955	Pochard	.....	D21/423
D223,943 S *	6/1972	Soper	.....	D21/423
D252,759 S *	8/1979	Medor	.....	D21/423
D253,062 S *	10/1979	Kupka	.....	D21/423
D257,996 S *	1/1981	Fragoso	.....	D21/423
D264,105 S *	4/1982	Dinnocente	.....	D21/423
D287,834 S *	1/1987	Ito	.....	D12/110
D295,991 S *	5/1988	Hanna	.....	D21/423
D410,058 S *	5/1999	Friend	.....	D21/423

D459,763 S *	7/2002	Lanchais	.....	D21/423
D490,750 S *	6/2004	Hoshino	.....	D12/110
D521,431 S *	5/2006	Hong	.....	D12/182
D558,640 S *	1/2008	Chladny	.....	D12/1
D705,873 S *	5/2014	Grout	.....	D21/423
D727,799 S *	4/2015	Castrucci	.....	D12/110
D786,362 S *	5/2017	Pickavance	.....	D21/423
D794,510 S *	8/2017	Luke	.....	D12/110
D797,199 S *	9/2017	Ratner	.....	D21/423
D797,200 S *	9/2017	Ratner	.....	D21/423

\* cited by examiner

*Primary Examiner* — Cynthia M Chin

(74) *Attorney, Agent, or Firm* — Dunlap Bennett & Ludwig PLLC

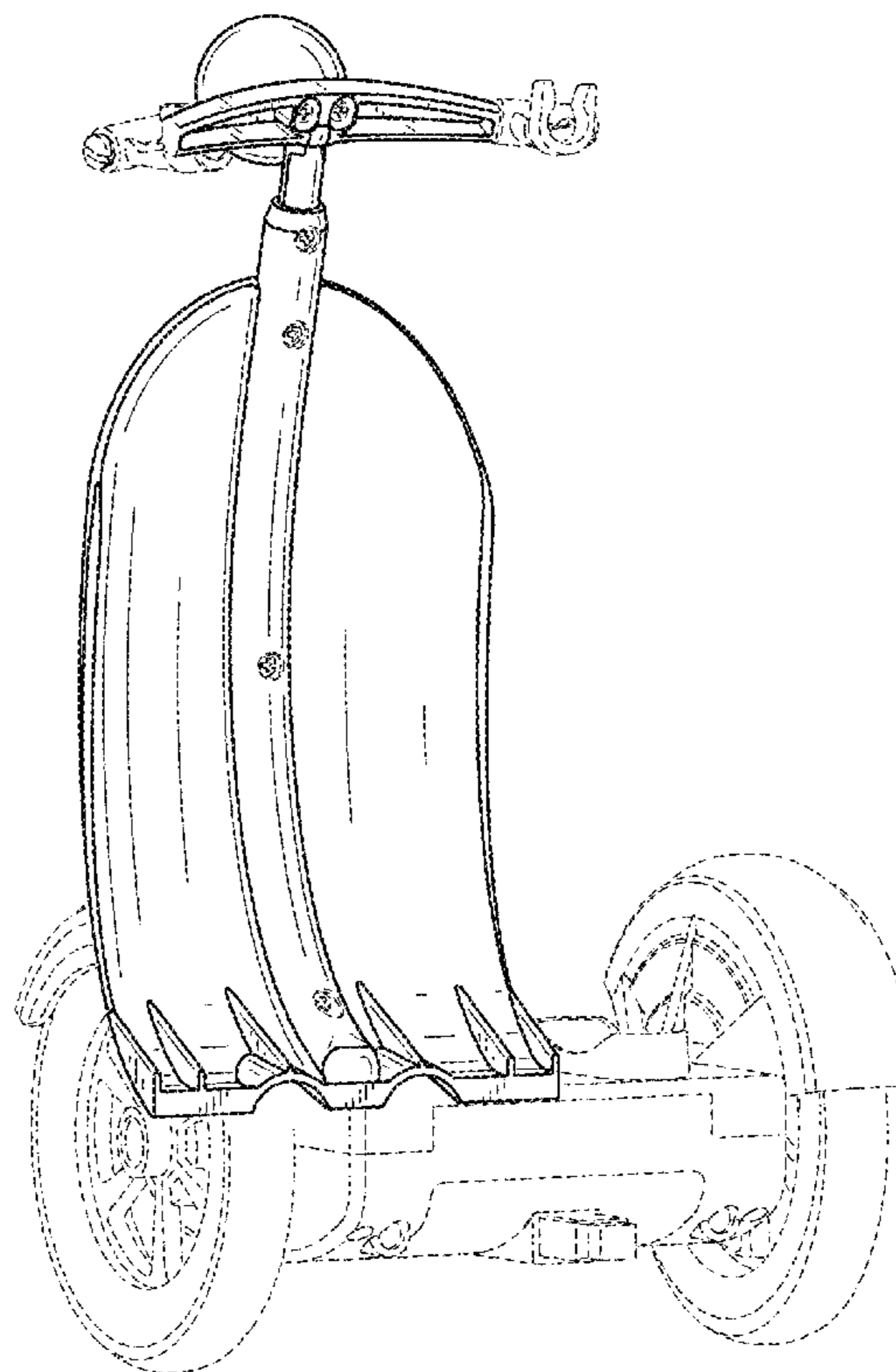
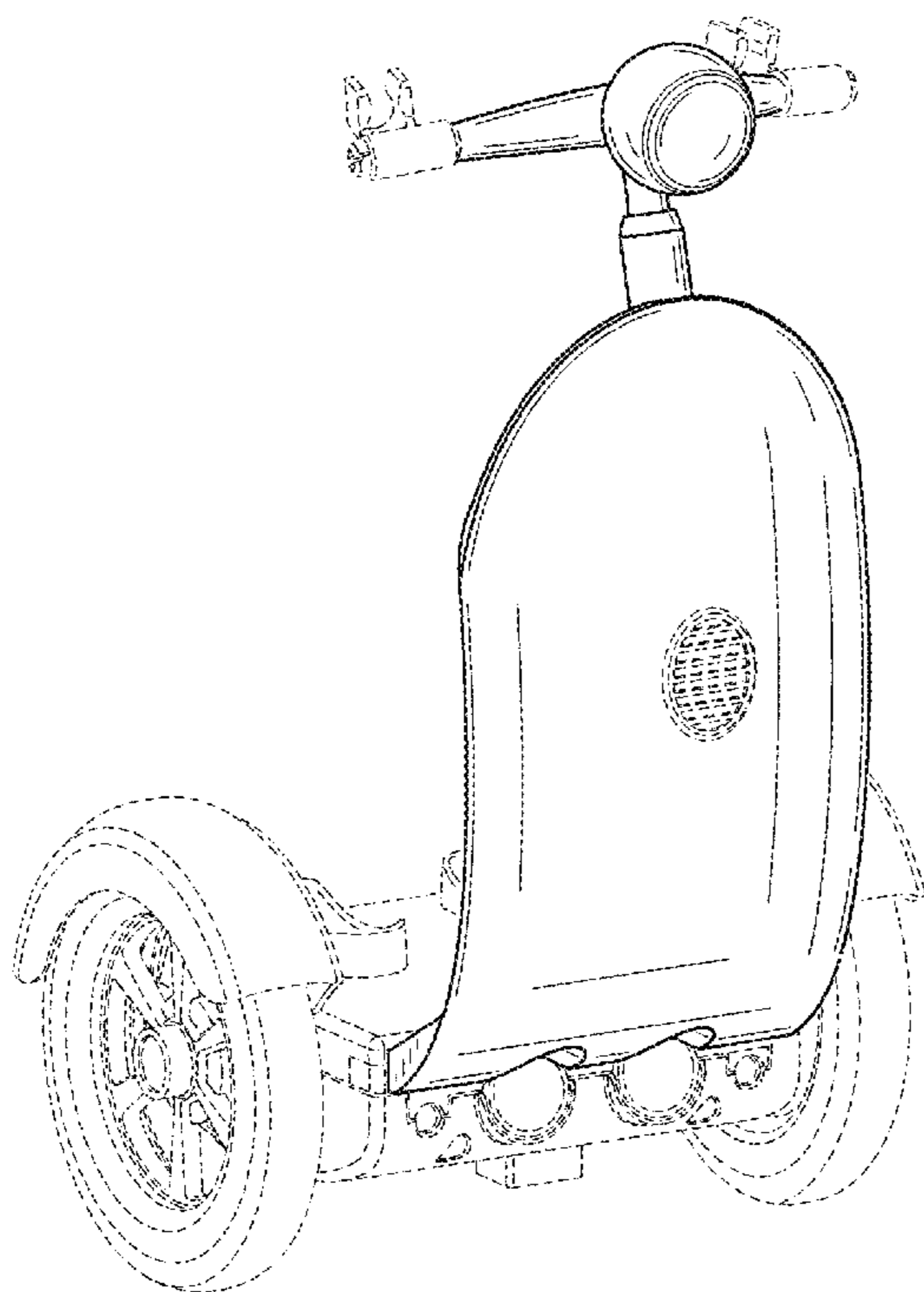
(57) **CLAIM**

The ornamental design for a toy scooter, as shown and described.

**DESCRIPTION**

FIG. 1 is a front perspective view of a toy scooter;  
FIG. 2 is a rear perspective view of a toy scooter;  
FIG. 3 is a front elevation view thereof;  
FIG. 4 is a rear elevation view thereof;  
FIG. 5 is a left elevation view thereof, the right elevation view being a mirror image thereof;  
FIG. 6 is a top plan view thereof; and,  
FIG. 7 is a bottom plan view thereof.  
The broken lines shown in the drawings depict portions of the toy scooter that form no part of the claimed design.

**1 Claim, 4 Drawing Sheets**



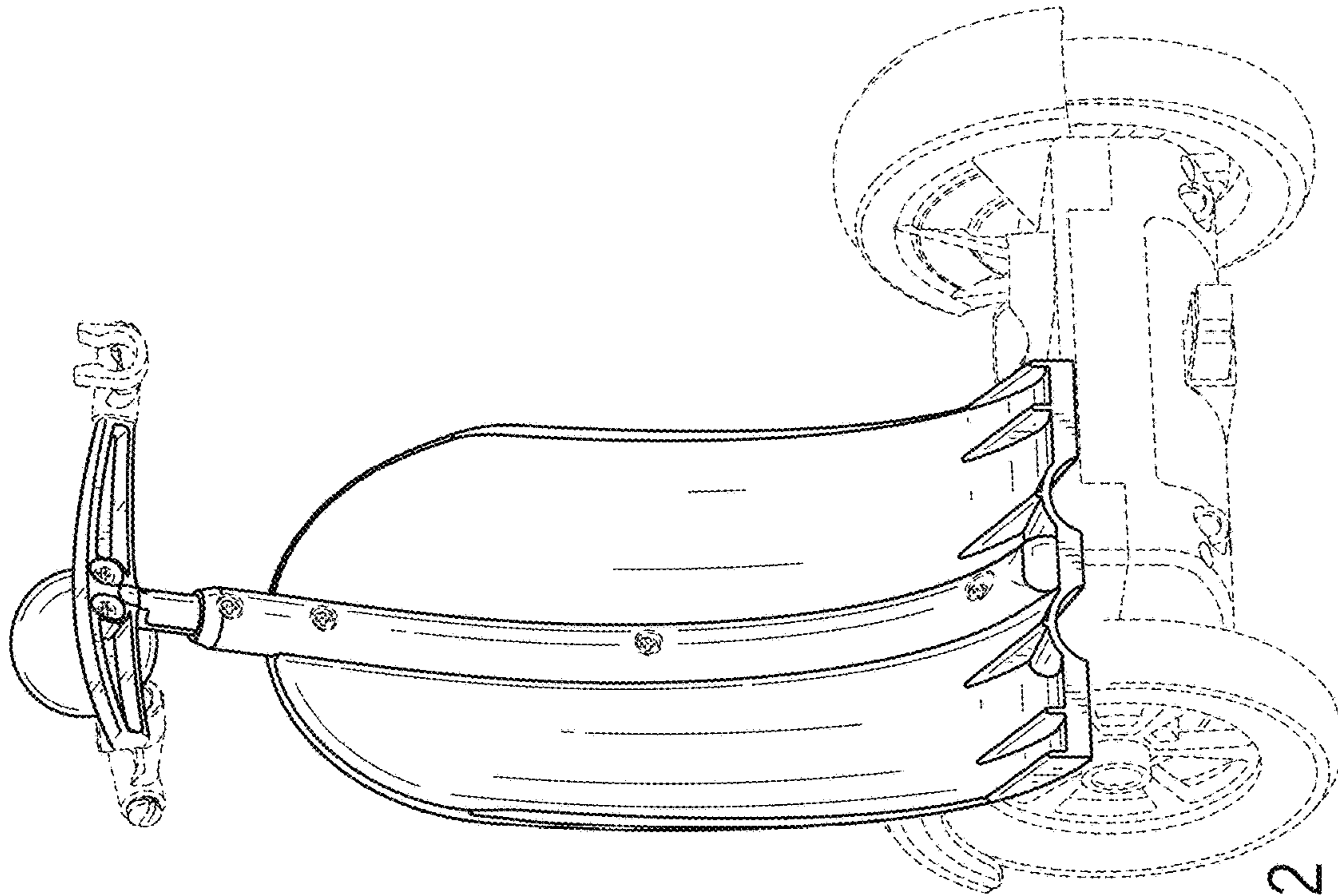


FIG. 2

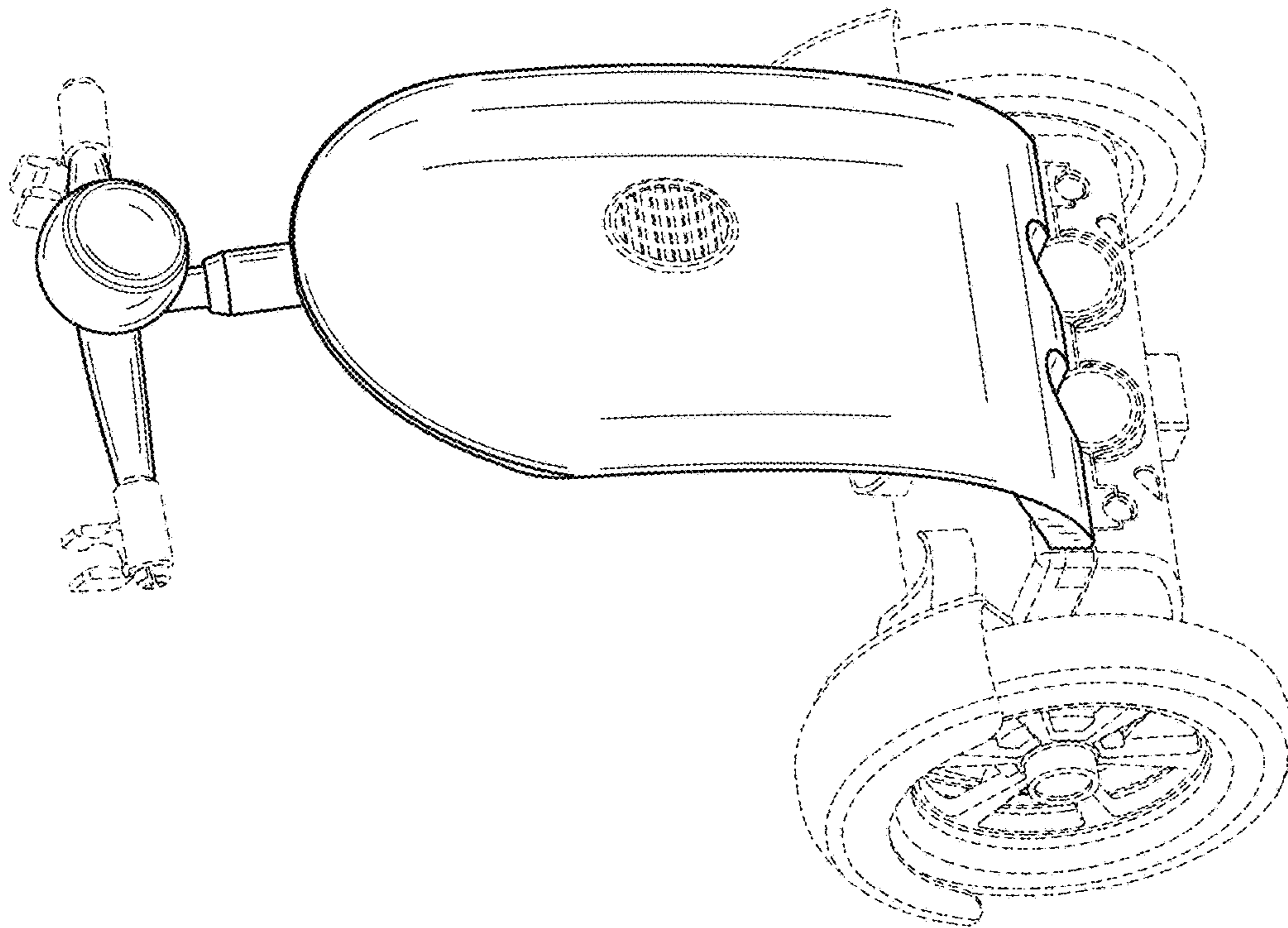


FIG. 1

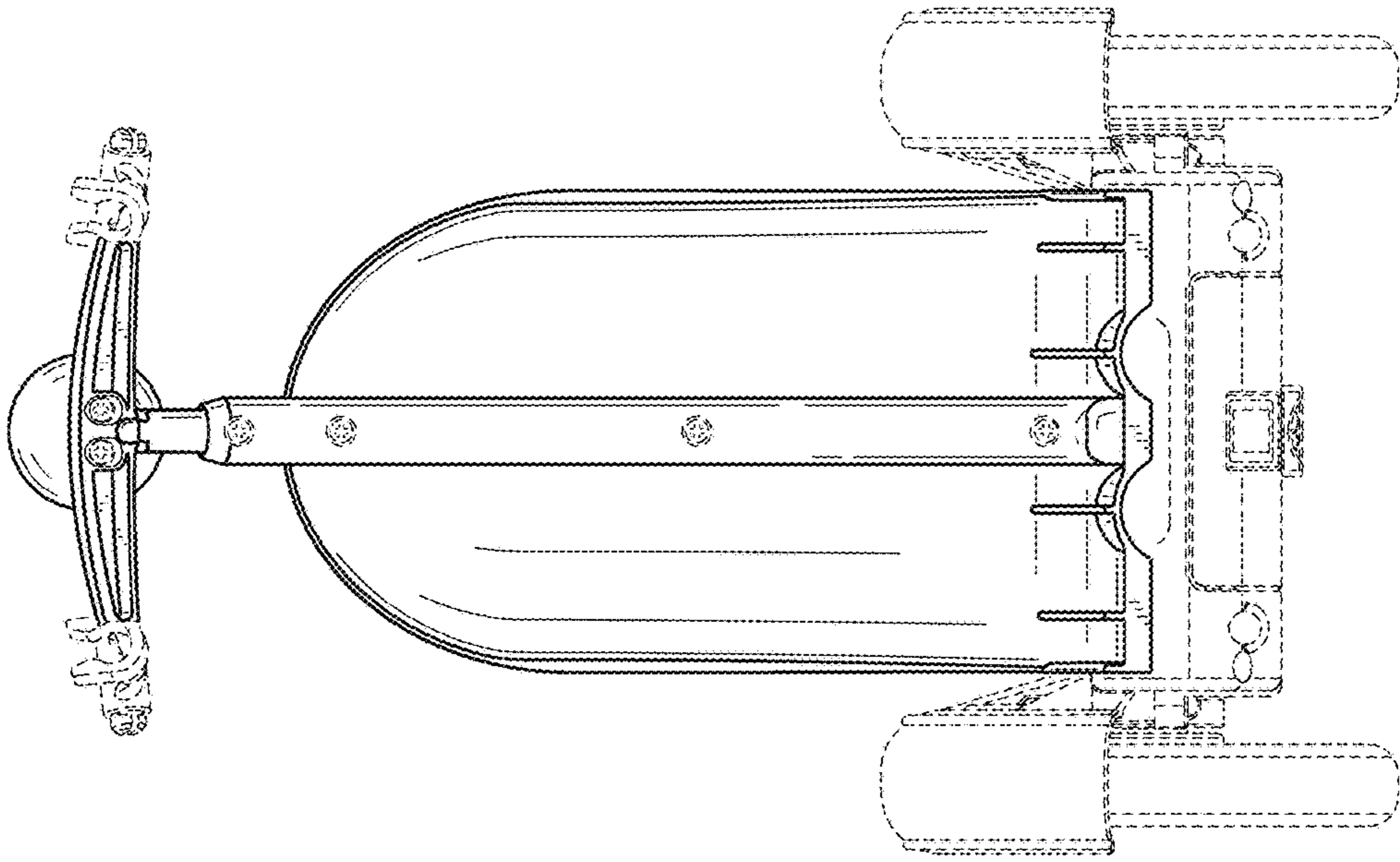


FIG. 4

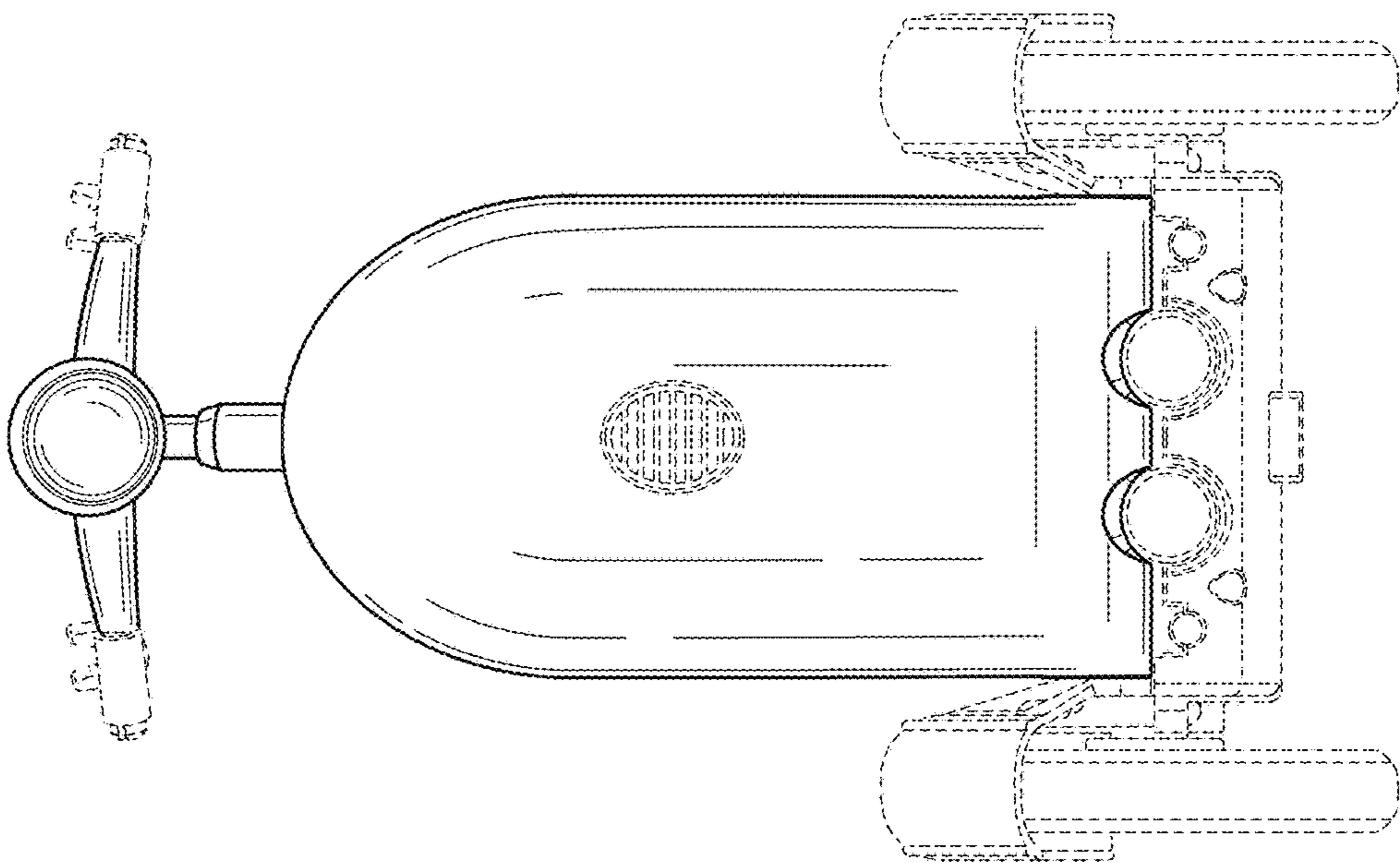


FIG. 3



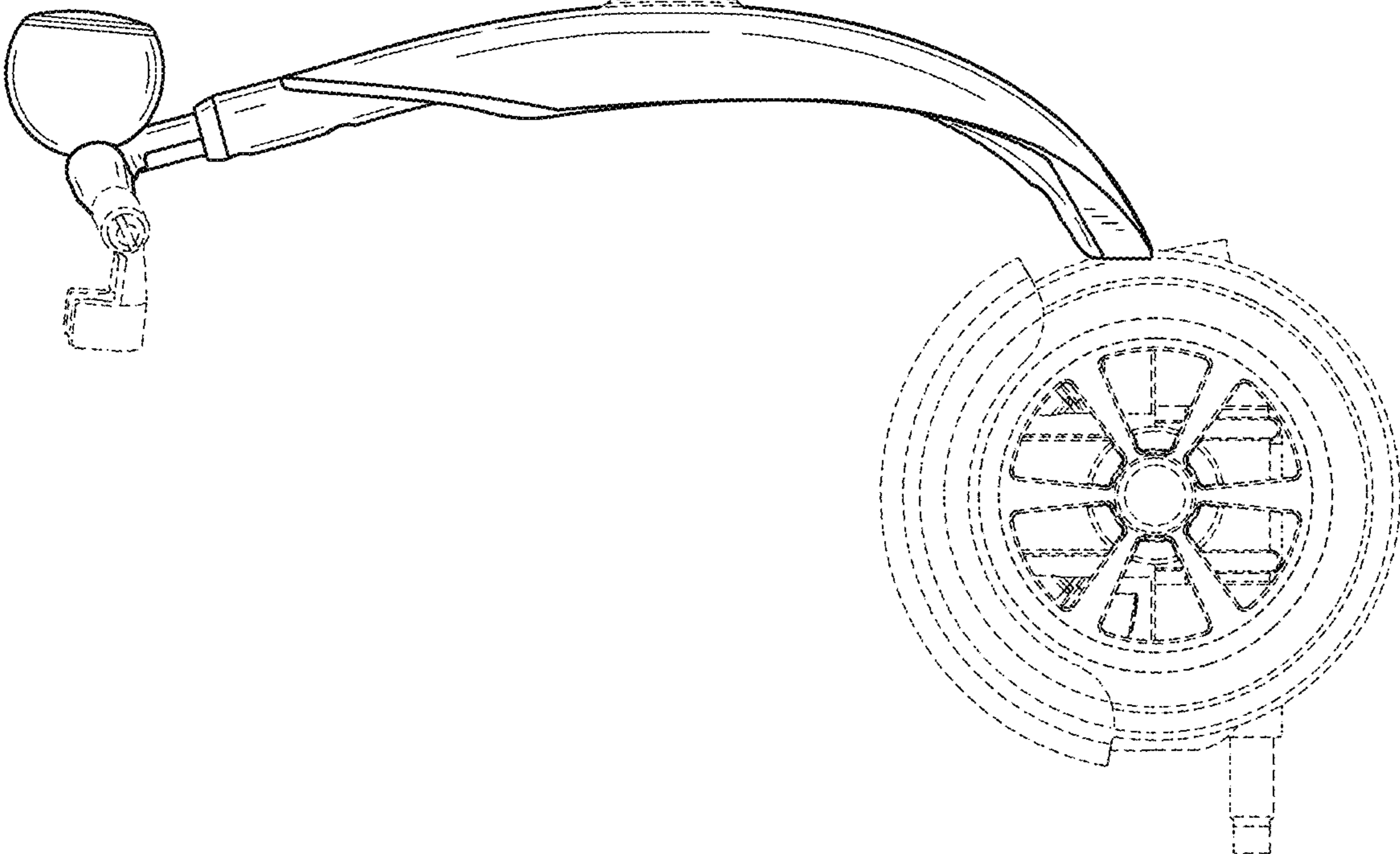


FIG. 5

FIG. 6

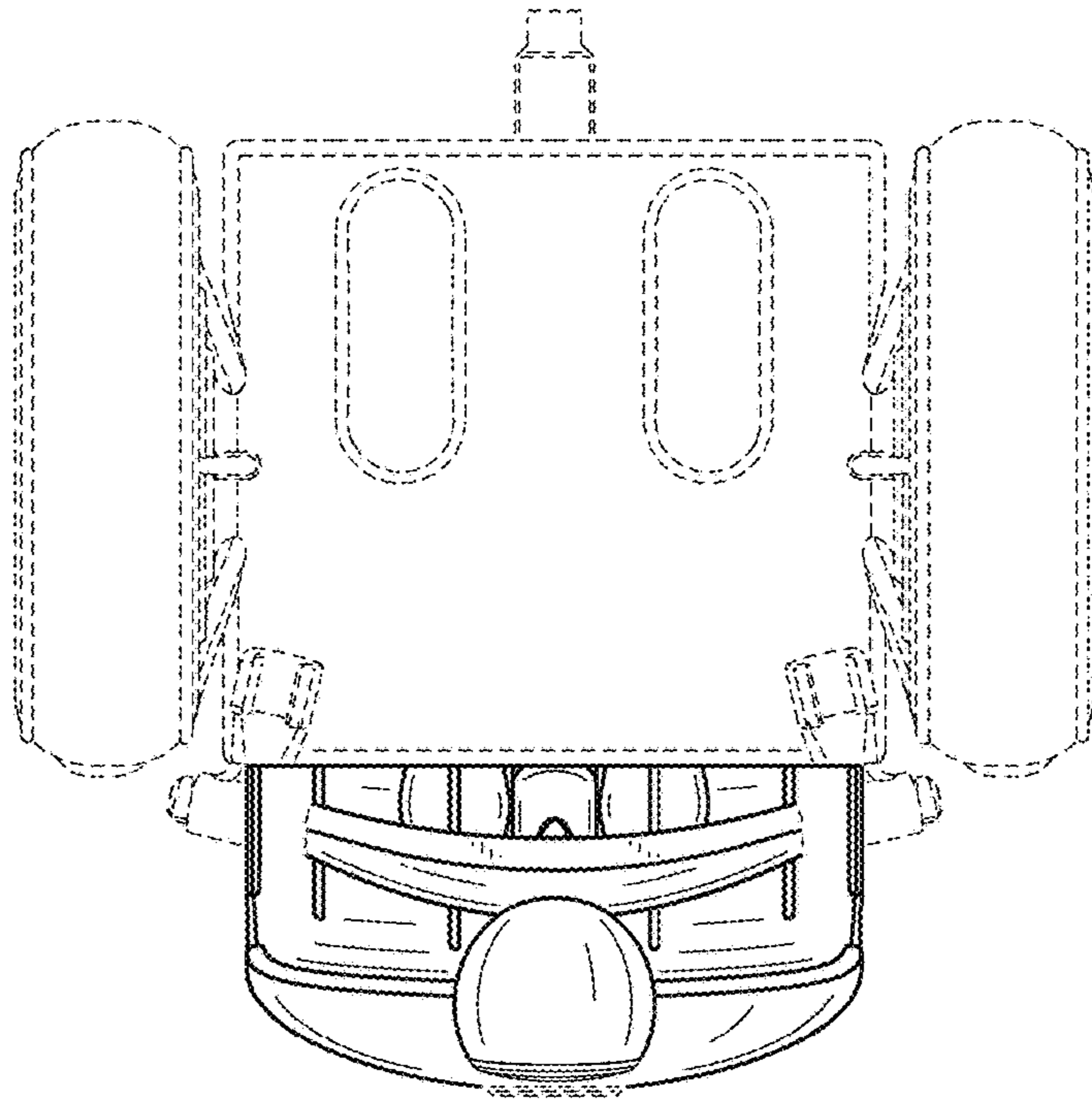


FIG. 7

