



US00D812693S

(12) **United States Design Patent**
Chen et al.

(10) **Patent No.:** **US D812,693 S**
(45) **Date of Patent:** **** Mar. 13, 2018**

(54) **HAND-HELD CONTROLLER FOR
VIRTUAL-REALITY SYSTEM**

455/344-347, 93, 95, 3.01-3.06, 550.1,
455/573.1; 370/342-344; 369/1, 2,
369/6-12; 463/51-57, 40-47, 1, 29-35;
(Continued)

(71) Applicant: **Oculus VR, LLC**, Menlo Park, CA
(US)

(56) **References Cited**

(72) Inventors: **Yi-yaun Chen**, Seattle, WA (US); **Peter
Wesley Bristol**, Seattle, WA (US);
Robert Hubler, Seattle, WA (US);
Quintin Morris, Issaquah, WA (US)

U.S. PATENT DOCUMENTS

5,265,009 A * 11/1993 Colavita A63F 1/18
273/148 R
D418,879 S 1/2000 Hornsby et al.
(Continued)

(73) Assignee: **OCULUS VR, LLC**, Menlo Park, CA
(US)

OTHER PUBLICATIONS

Chen, Office Action, U.S. Appl. No. 29/529,981, dated Apr. 7, 2016,
5 pgs.

(**) Term: **15 Years**

(Continued)

(21) Appl. No.: **29/595,343**

Primary Examiner — Prabhakar G Deshmukh
(74) *Attorney, Agent, or Firm* — Morgan, Lewis &
Bockius LLP

(22) Filed: **Feb. 27, 2017**

(57) **CLAIM**

Related U.S. Application Data

The ornamental design for a hand-held controller for virtual-
reality system, as shown and described.

(63) Continuation of application No. 29/529,981, filed on
Jun. 11, 2015, now Pat. No. Des. 780,807.

DESCRIPTION

(51) **LOC (11) Cl.** **21-01**

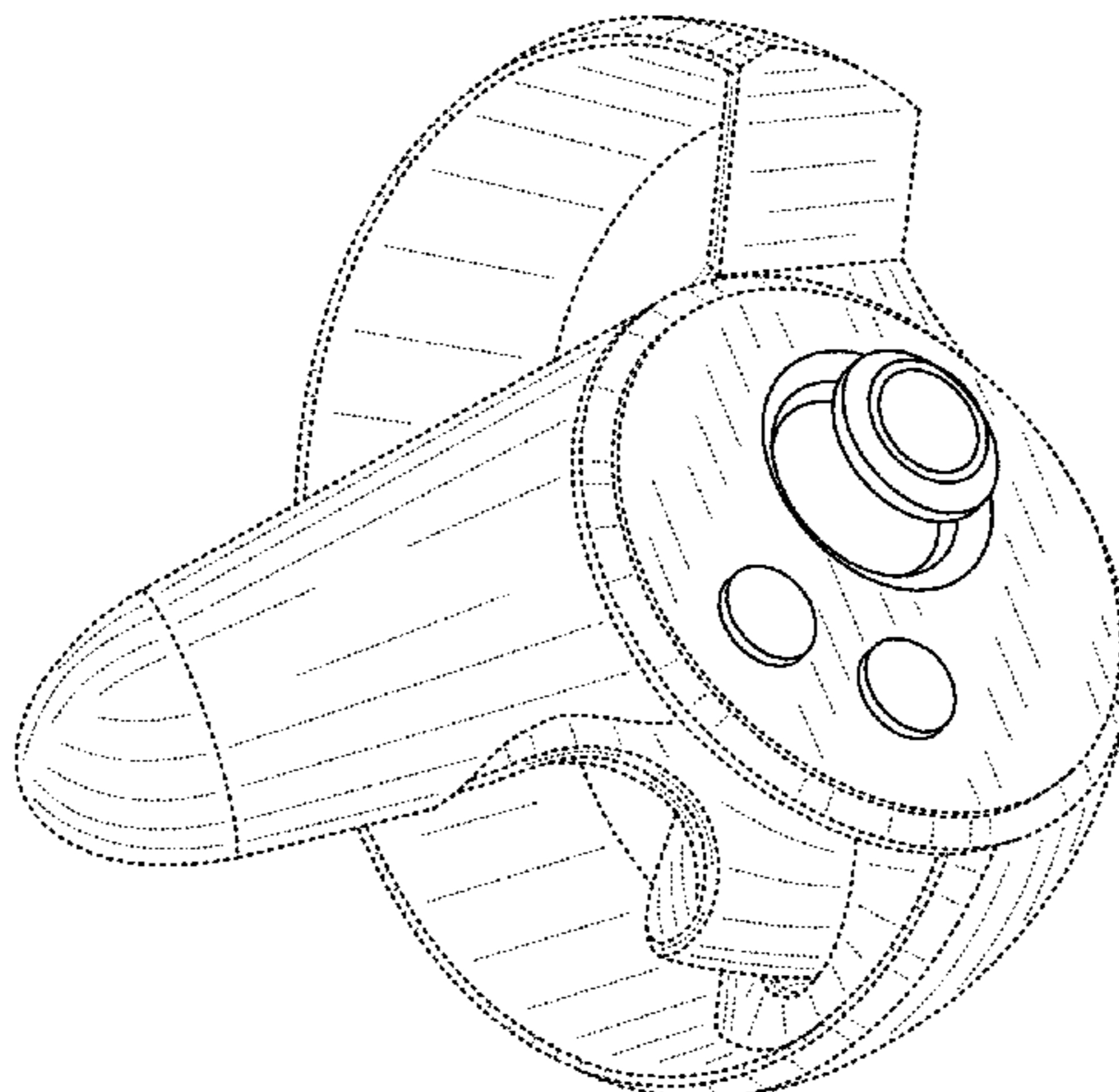
(52) **U.S. Cl.**
USPC **D21/333**; D14/496; D14/203.3;
D14/203.5

FIG. 1 is a top, left perspective view of a hand-held
controller for virtual reality system showing our new design;
FIG. 2 is a top, right perspective view thereof;
FIG. 3 is a top, right-rear perspective view thereof;
FIG. 4 is a top plan view thereof;
FIG. 5 is a left side elevational view thereof;
FIG. 6 is a right side elevational view thereof;
FIG. 7 is a right-rear elevational view thereof;
FIG. 8 is a left-rear elevational view thereof; and,
FIG. 9 is a rear elevational view of the design of FIGS. 1-8.
The broken lines indicate unclaimed portions and form no
part of the claimed design. The claimed design discloses a

(58) **Field of Classification Search**

USPC D14/496, 401, 435, 474, 483, 217, 137,
D14/138, 160, 168, 356, 203.1-203.8,
D14/507; 345/156, 169, 173-179, 905;
715/727-729, 864, 700, 706, 719; 710/1,
710/5, 8; 713/1, 600; 455/1.1, 1.7, 73,

(Continued)



left-hand use of the article and it is understood that the right-hand use of the article is the mirror image of the disclosed claimed design.

1 Claim, 9 Drawing Sheets

(58) Field of Classification Search

USPC D21/324, 328, 333; 273/148 B; D10/46.1
CPC .. A63F 13/00; A63F 13/02; A63F 9/00; G06F 17/00; G06F 19/00
See application file for complete search history.

(56)

References Cited

U.S. PATENT DOCUMENTS

6,430,110 B2 8/2002 Baroche
6,970,157 B2 11/2005 Siddeeq
7,106,197 B2* 9/2006 Gaiotto B64D 45/0015
340/539.11

D586,823 S * 2/2009 Anderson D14/496
D616,417 S 5/2010 Liao
8,188,842 B2 5/2012 Otsuka et al.
8,994,643 B2 3/2015 Massie et al.
D729,803 S * 5/2015 Avery D14/401
9,141,087 B2* 9/2015 Brown G04F 10/00
D742,972 S 11/2015 Corrigan et al.
9,421,472 B2* 8/2016 Buller A63F 13/24
D772,986 S * 11/2016 Chen D14/203.3
D780,807 S * 3/2017 Chen D14/203.3
D795,959 S * 8/2017 Chen D14/203.3
D800,841 S * 10/2017 Chen D21/333
D802,055 S * 11/2017 Chen D21/333
2016/0364910 A1* 12/2016 Higgins G02B 27/017
2017/0128828 A1* 5/2017 Long A63F 13/235

OTHER PUBLICATIONS

Chen, Notice of Allowance, U.S. Appl. No. 29/529,981, dated Oct. 19, 2016, 7 pgs.

* cited by examiner

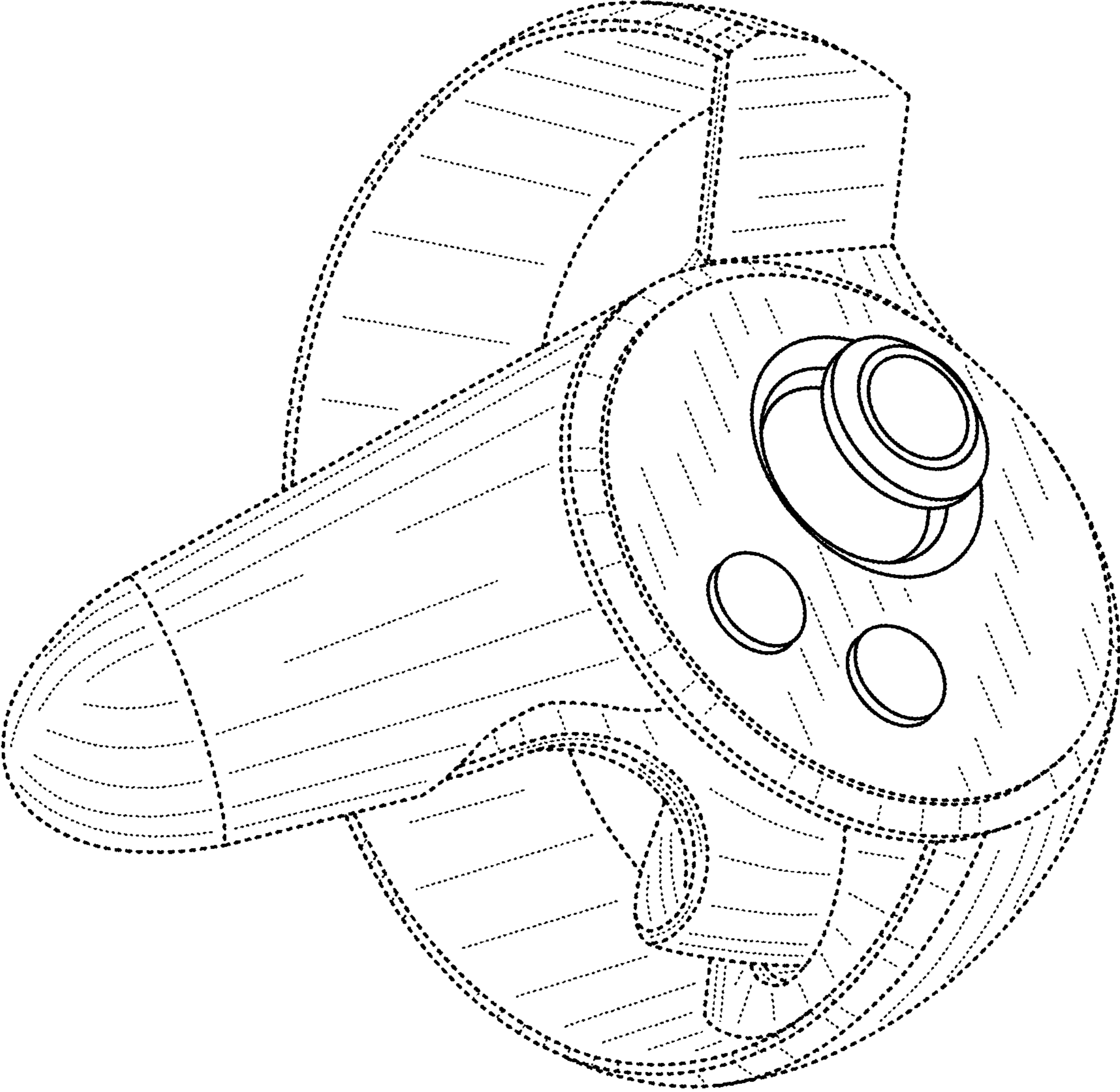


Figure 1

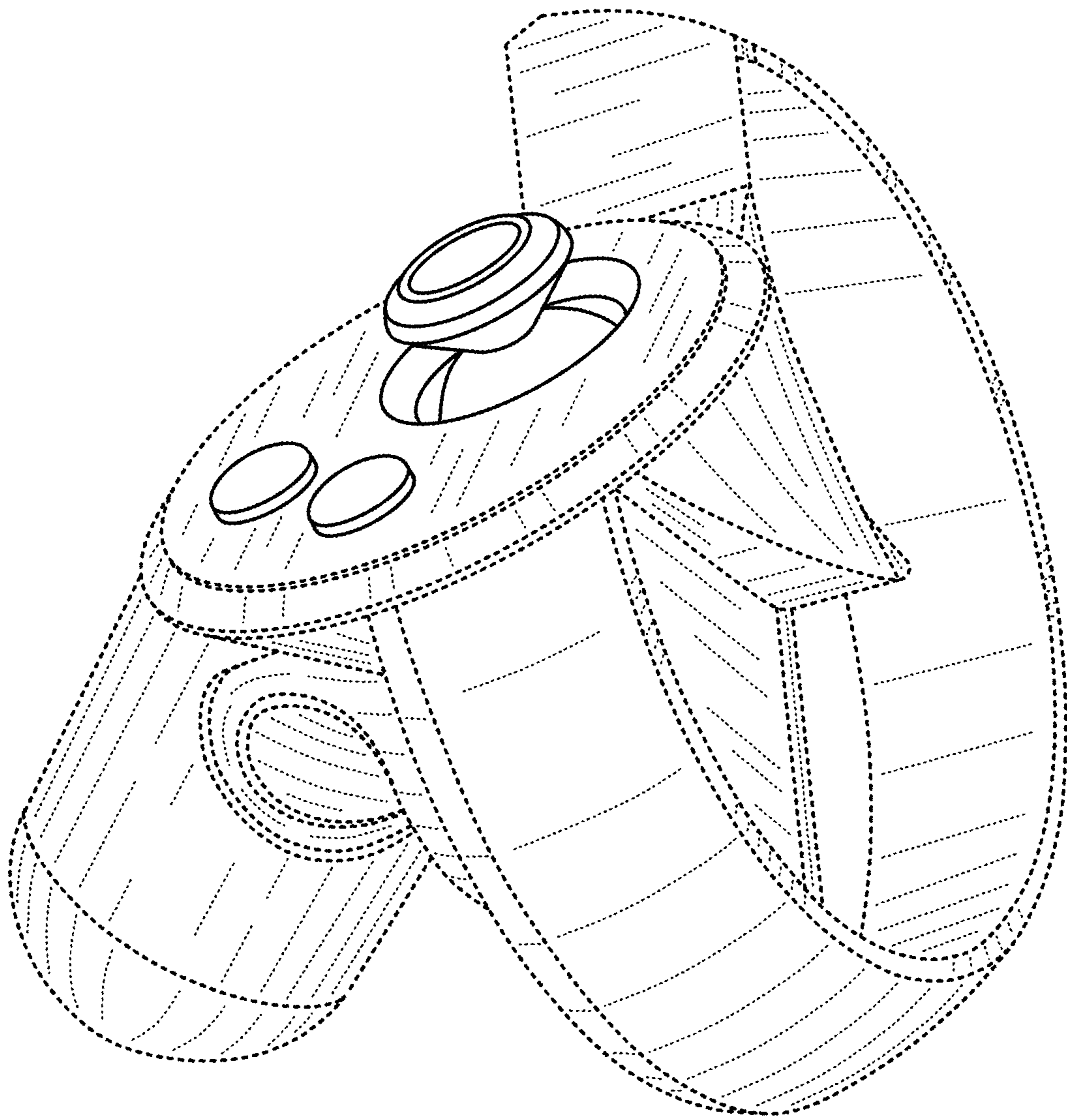


Figure 2

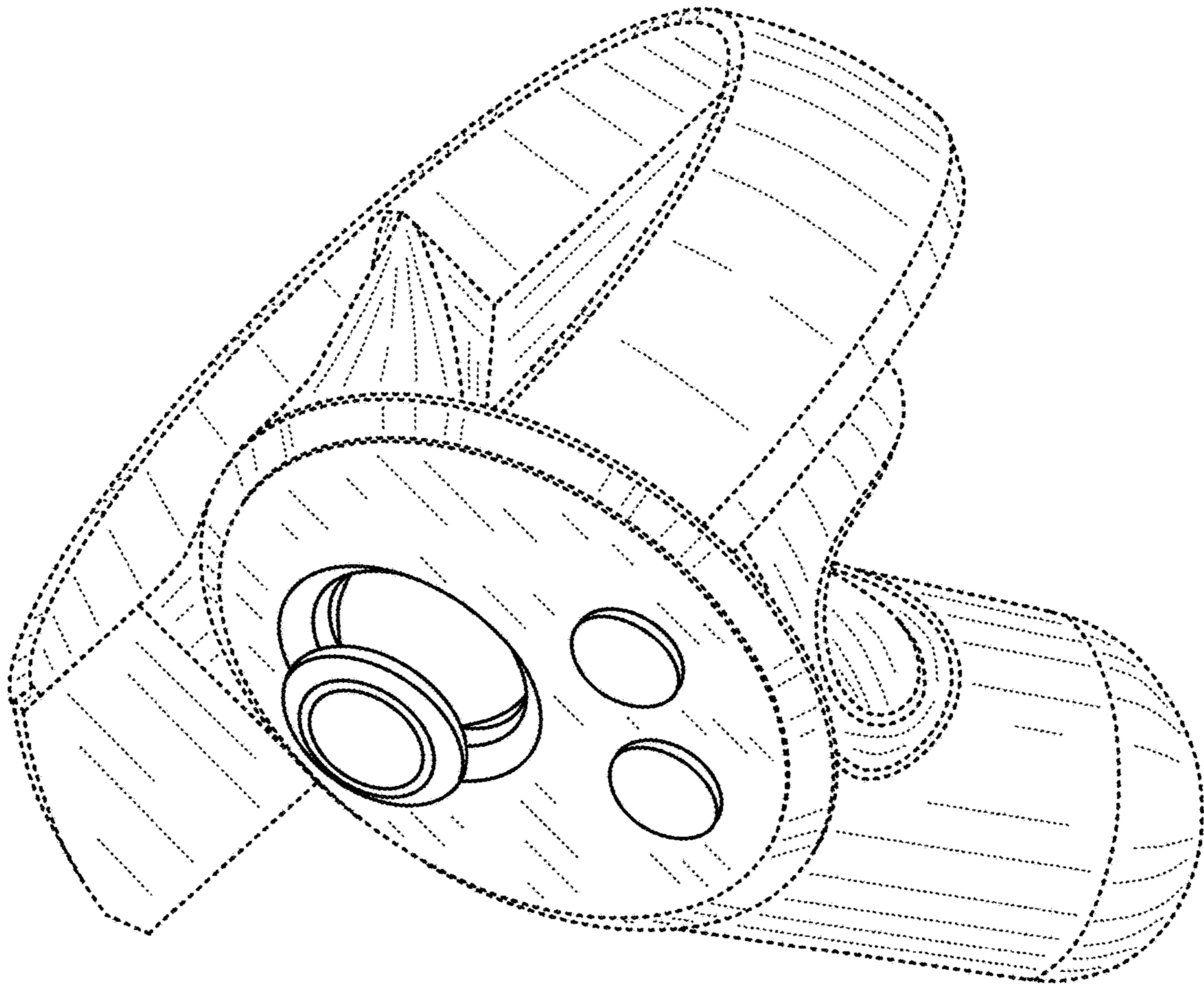


Figure 3

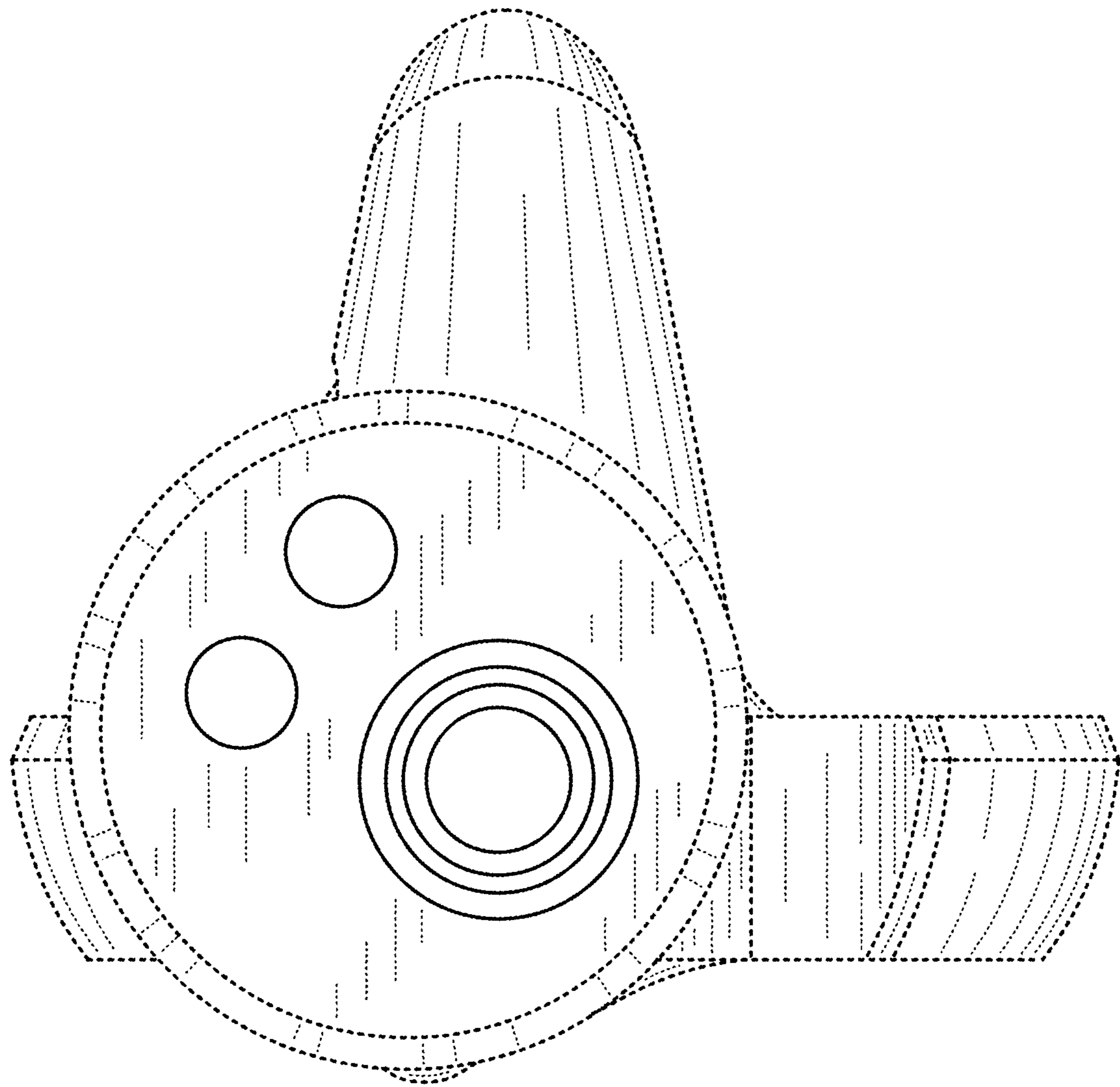


Figure 4

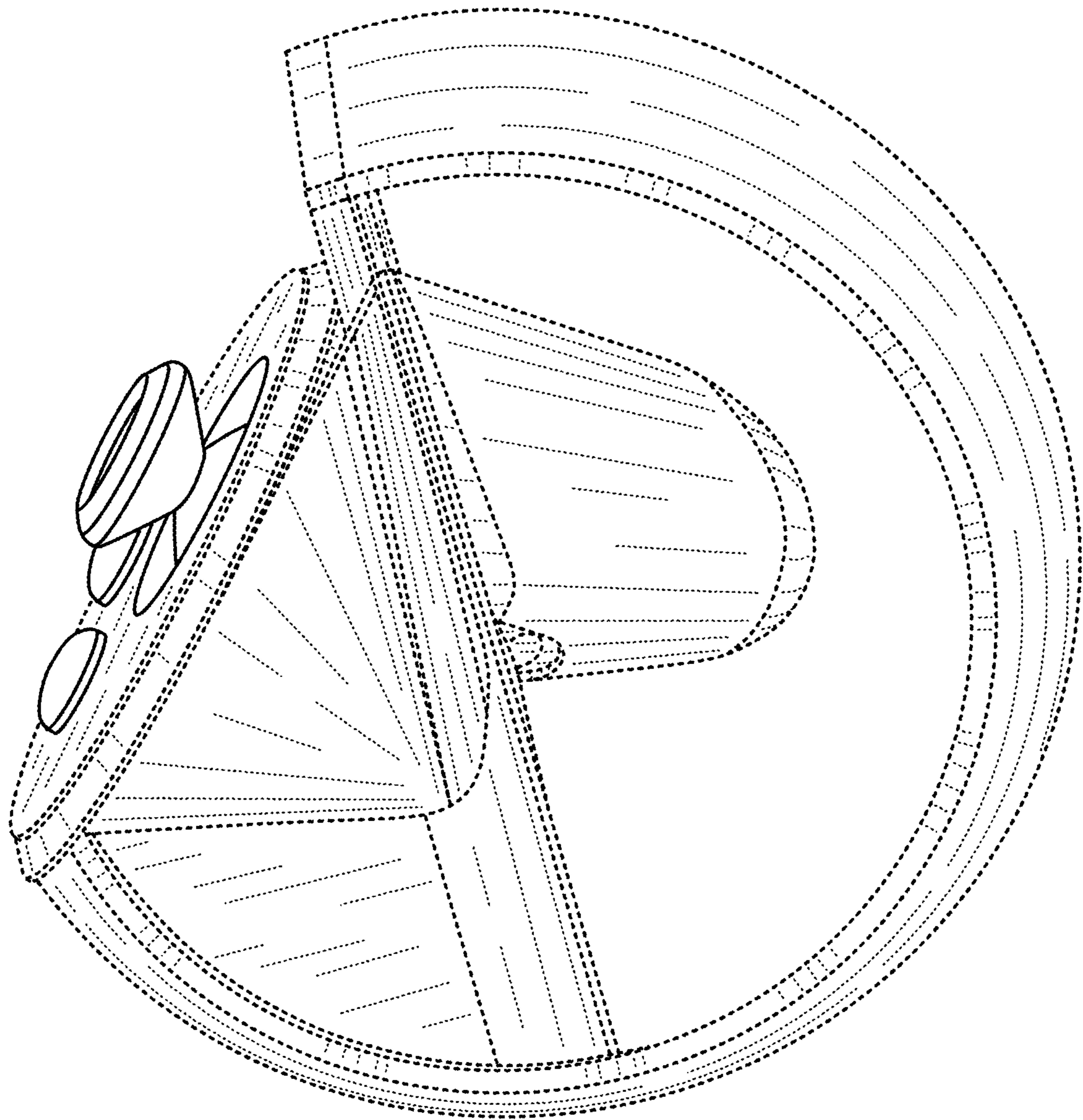


Figure 5

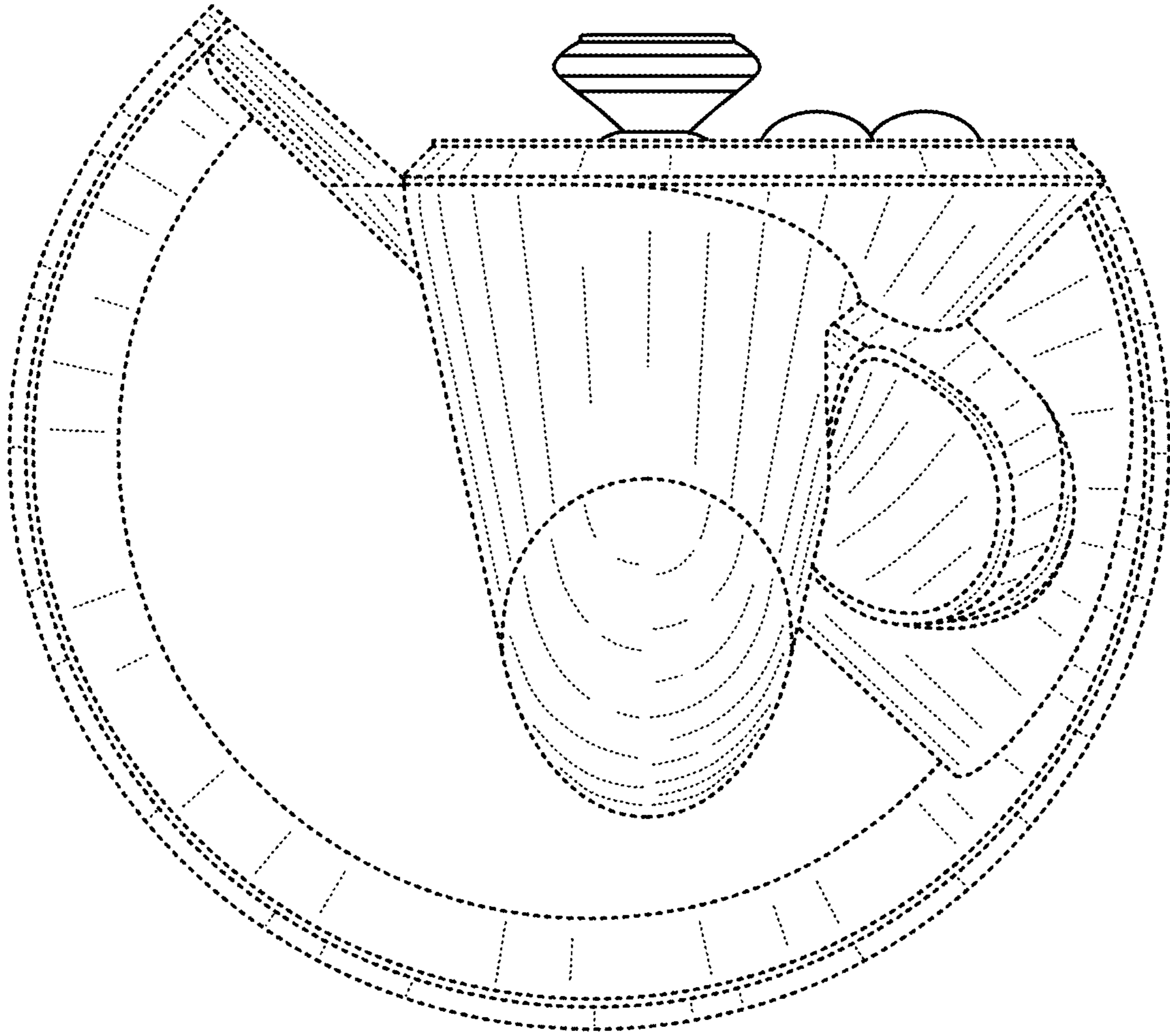


Figure 6

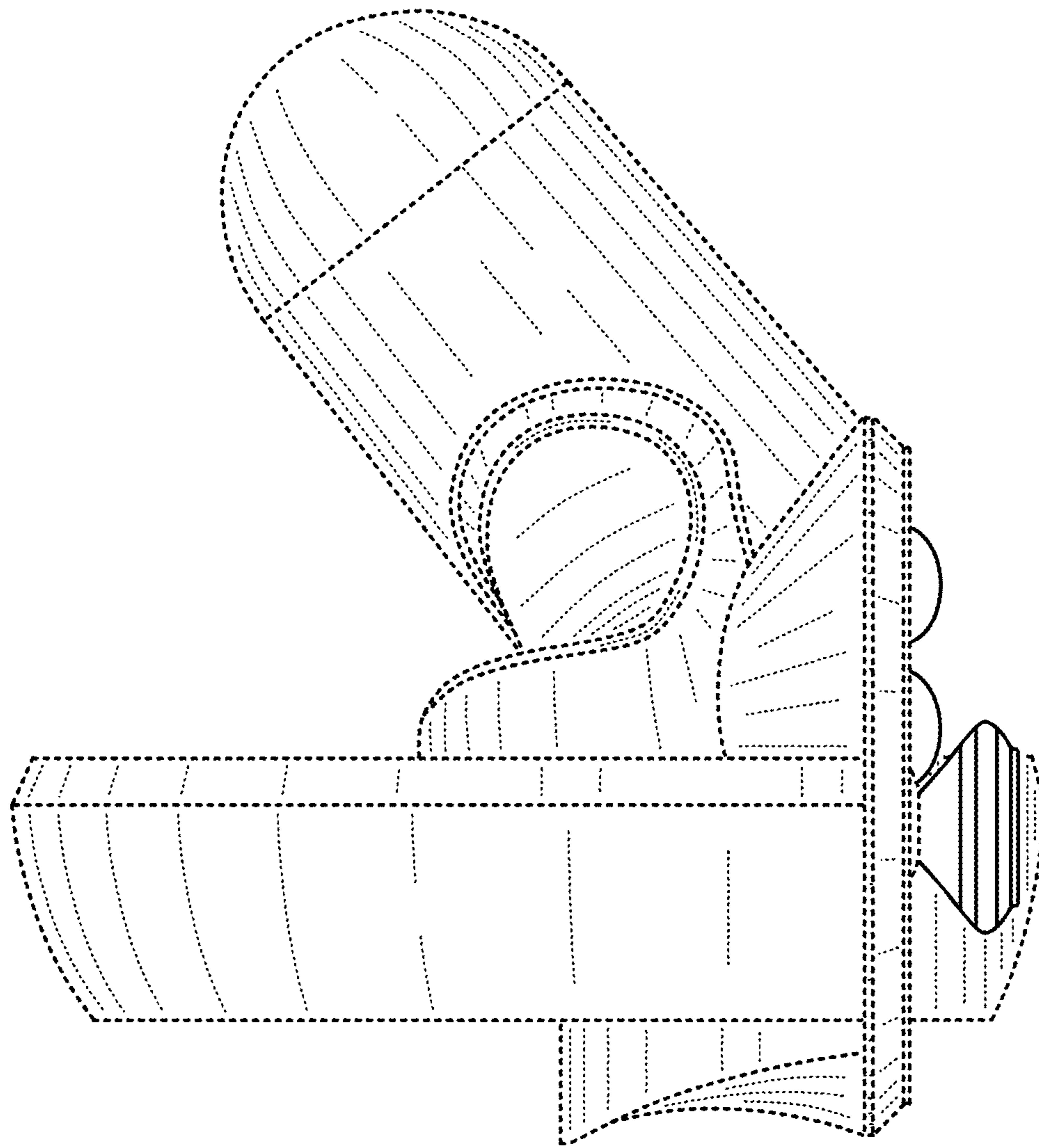


Figure 7

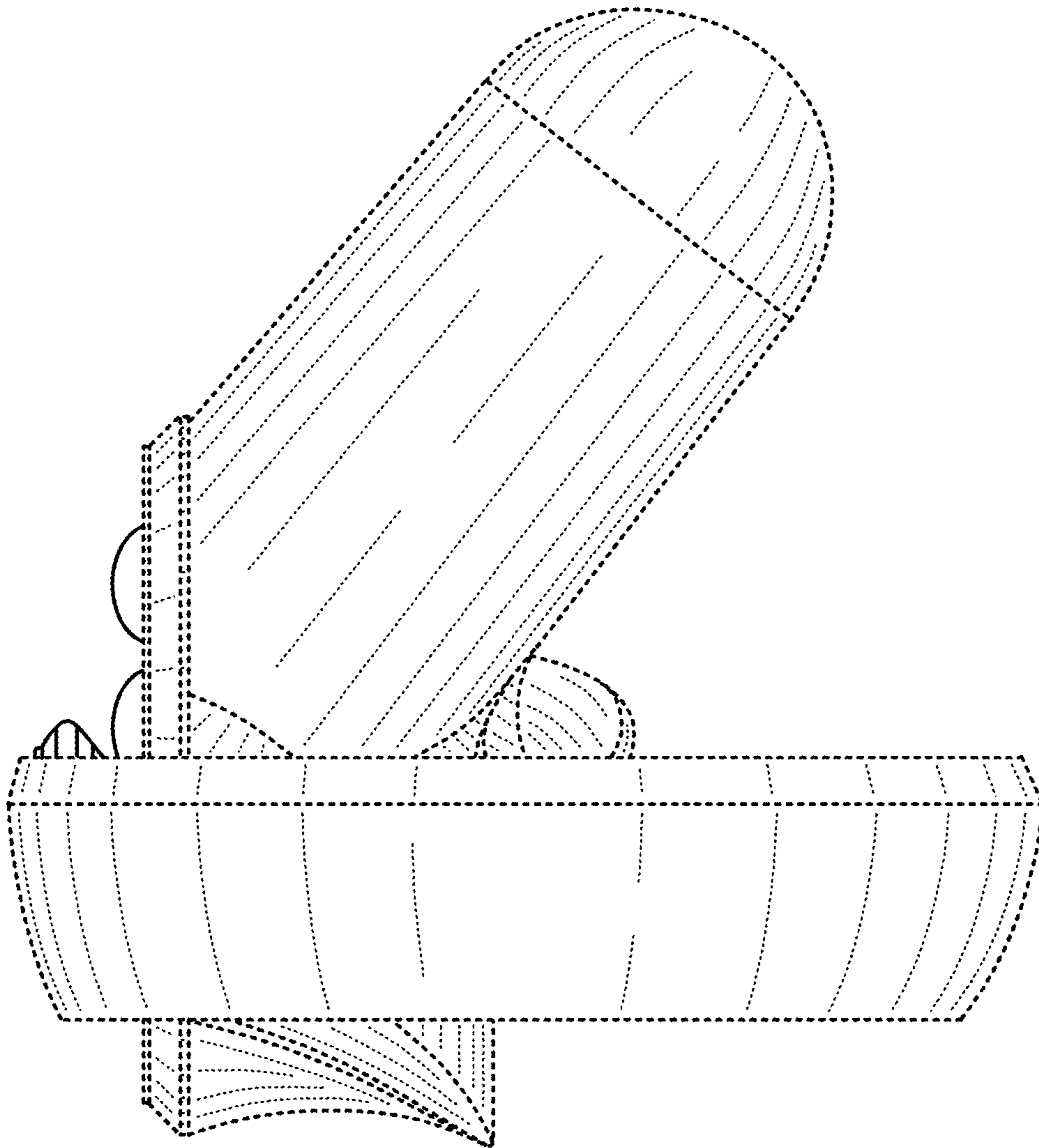


Figure 8

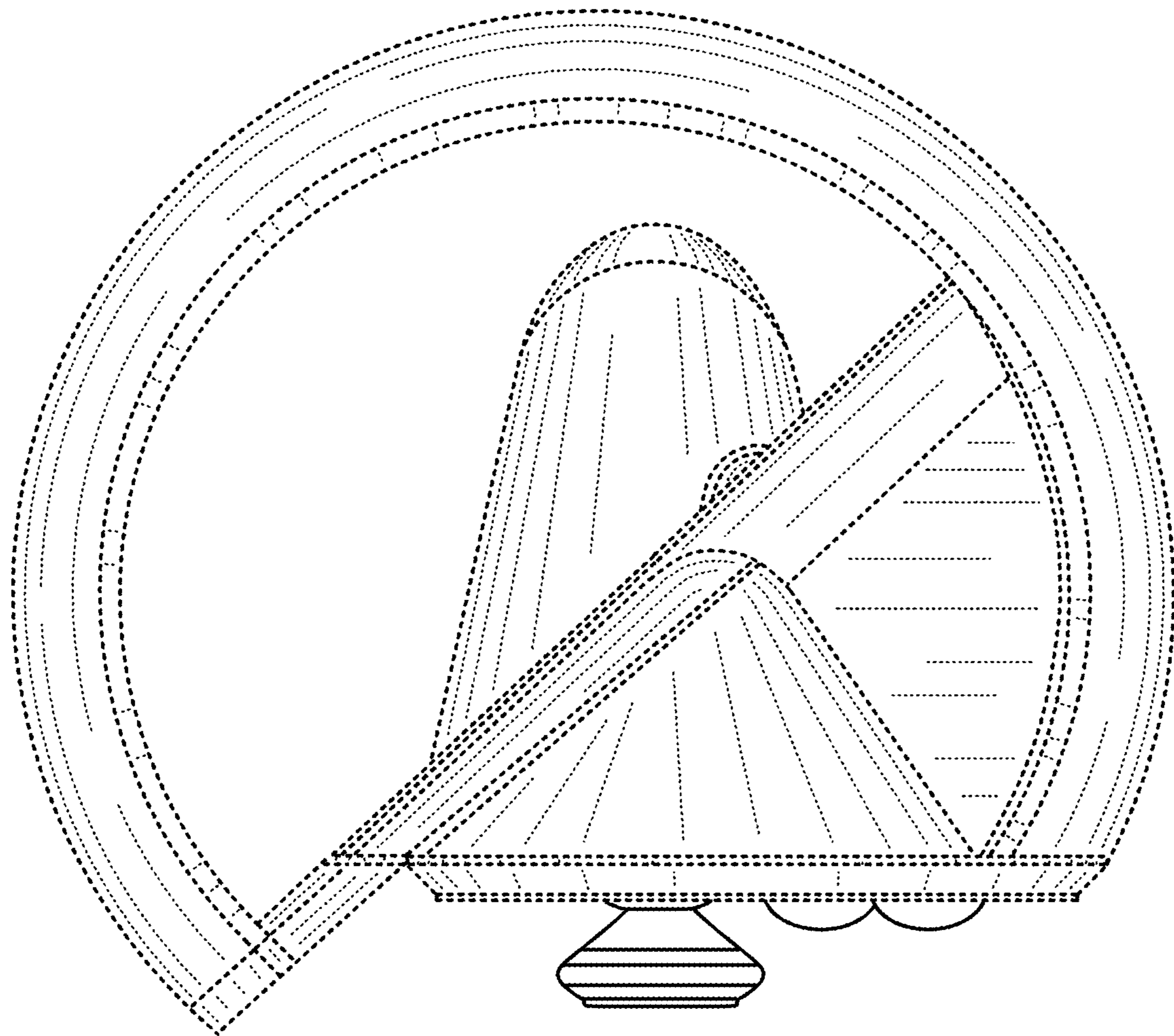


Figure 9