



US00D812692S

(12) **United States Design Patent**
Nokuo

(10) **Patent No.:** **US D812,692 S**
(45) **Date of Patent:** **** Mar. 13, 2018**

(54) **CONTROLLER FOR ELECTRONIC DEVICE**

(71) Applicant: **SONY INTERACTIVE ENTERTAINMENT INC.**, Tokyo (JP)

(72) Inventor: **Taichi Nokuo**, Tokyo (JP)

(73) Assignee: **SONY INTERACTIVE ENTERTAINMENT INC.**, Tokyo (JP)

(**) Term: **15 Years**

(21) Appl. No.: **29/586,982**

(22) Filed: **Dec. 8, 2016**

(30) **Foreign Application Priority Data**

Jun. 9, 2016 (JP) 2016-012352

(51) **LOC (11) Cl.** **21-01**

(52) **U.S. Cl.**
USPC **D21/333; D14/401**

(58) **Field of Classification Search**
USPC D14/399-401, 412-418; D21/148 B;
463/1, 29-39, 46, 47; 345/156-161, 905
CPC .. A63F 13/02; A63F 9/24; A63F 13/12; A63F
9/00; A63F 11/00; A63F 71/00; G06F
3/02; G06F 3/033; G09G 5/00
See application file for complete search history.

(56) **References Cited**

U.S. PATENT DOCUMENTS

6,231,444 B1 * 5/2001 Goto G05G 9/047
273/148 B
6,743,100 B1 * 6/2004 Neiser A63F 13/06
273/148 B
9,003,147 B2 * 4/2015 Sakai G06F 3/0605
365/185.17
9,005,025 B2 * 4/2015 Joynes A63F 13/06
463/37
D743,490 S * 11/2015 Park D14/401

(Continued)

FOREIGN PATENT DOCUMENTS

JP D1406919 2/2011
RU 65655 11/2006
RU 94383 4/2014

OTHER PUBLICATIONS

Russian Office Action dated Sep. 25, 2017 in corresponding Russian Design Application No. 2016505063 with English translation of Russian Office Action.

(Continued)

Primary Examiner — Prabhakar Deshmukh

(74) *Attorney, Agent, or Firm* — Young & Thompson

(57) **CLAIM**

The ornamental design for a controller for electronic device, as shown and described.

DESCRIPTION

FIG. 1 is a perspective view of front, top and right side of a controller for electronic device showing my new design; FIG. 2 is a perspective view of rear, bottom and left side thereof;

FIG. 3 is a front view thereof;

FIG. 4 is a rear view thereof;

FIG. 5 is a left side view thereof;

FIG. 6 is a right side view thereof;

FIG. 7 is a top view thereof;

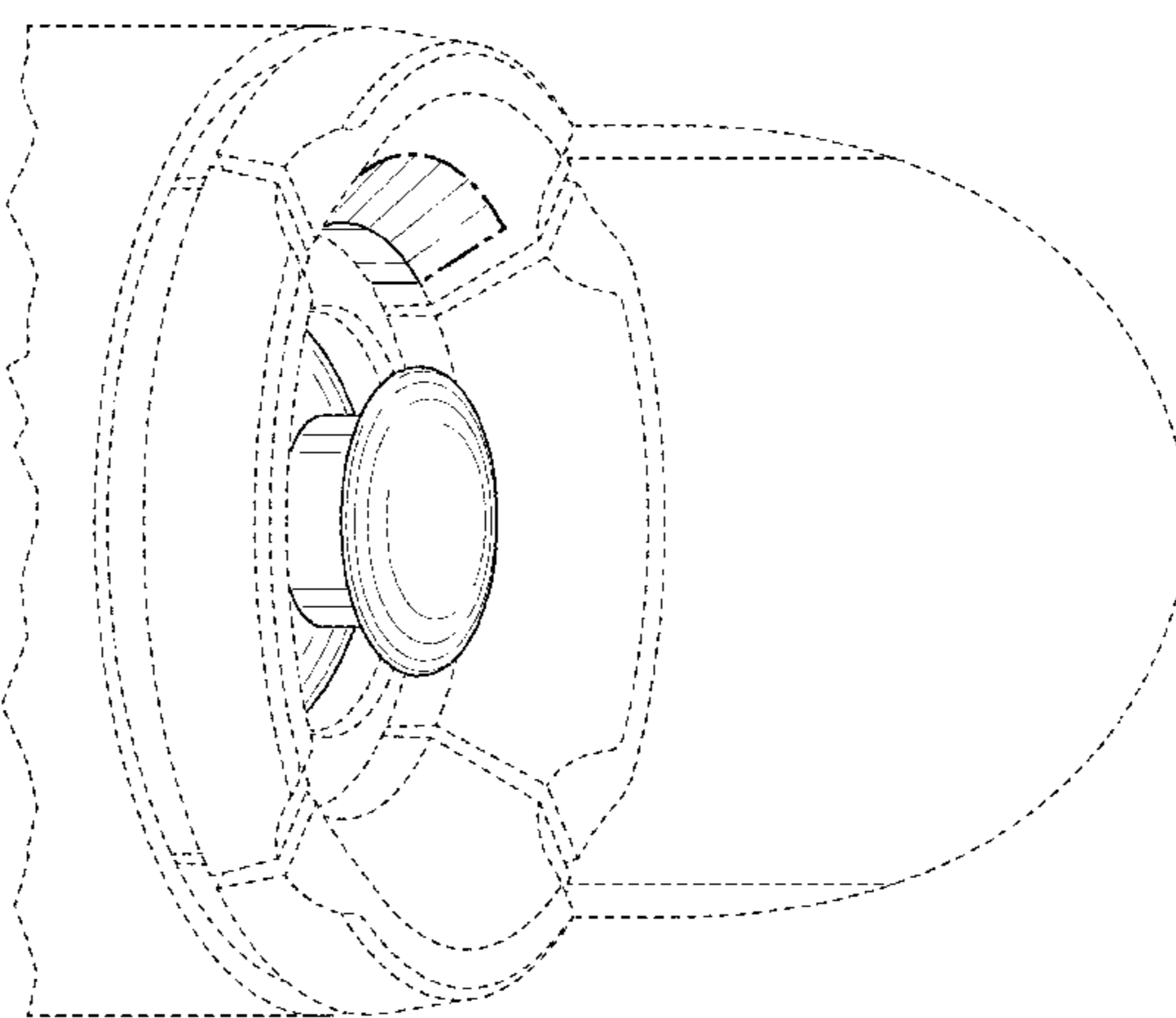
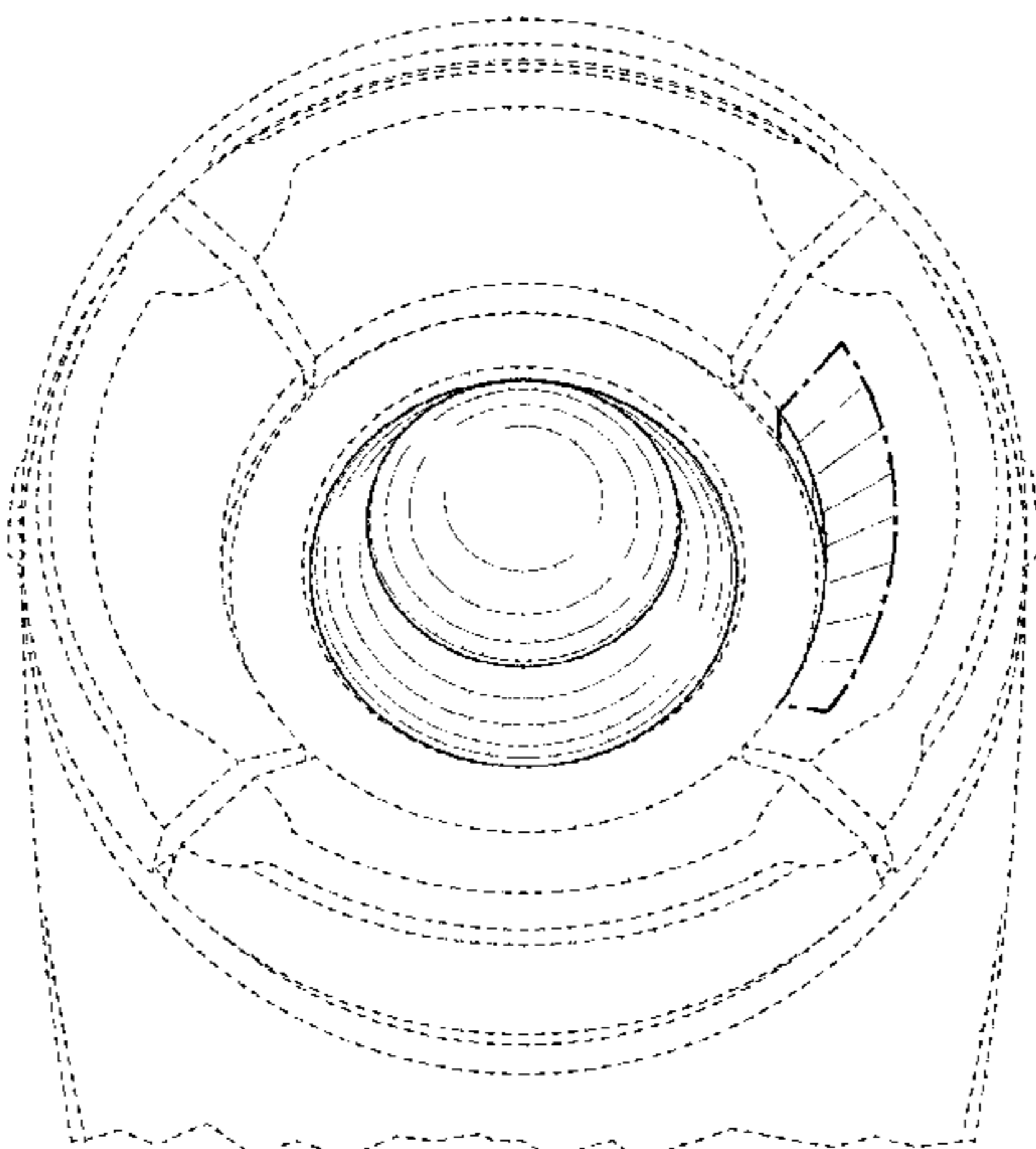
FIG. 8 is a bottom view thereof;

FIG. 9 is an enlarged view of a portion 9 shown in FIG. 6 thereof; and,

FIG. 10 is another enlarged view of portion 10 shown in FIG. 7 thereof.

The broken lines form no part of the claimed design. The dot and dashed lines form no part of the claimed design and mean boundaries between the claimed portion and non claimed portion.

1 Claim, 8 Drawing Sheets



(56)

References Cited

U.S. PATENT DOCUMENTS

D763,967 S * 8/2016 Kujawski D14/401
D773,561 S * 12/2016 Kujawski D14/401
D774,143 S * 12/2016 Kujawski D14/400
D784,990 S * 4/2017 Huang D14/400
D803,946 S * 11/2017 Matsuda D21/333

OTHER PUBLICATIONS

Russian Official Action—2016505063/49—May 31, 2017.

* cited by examiner

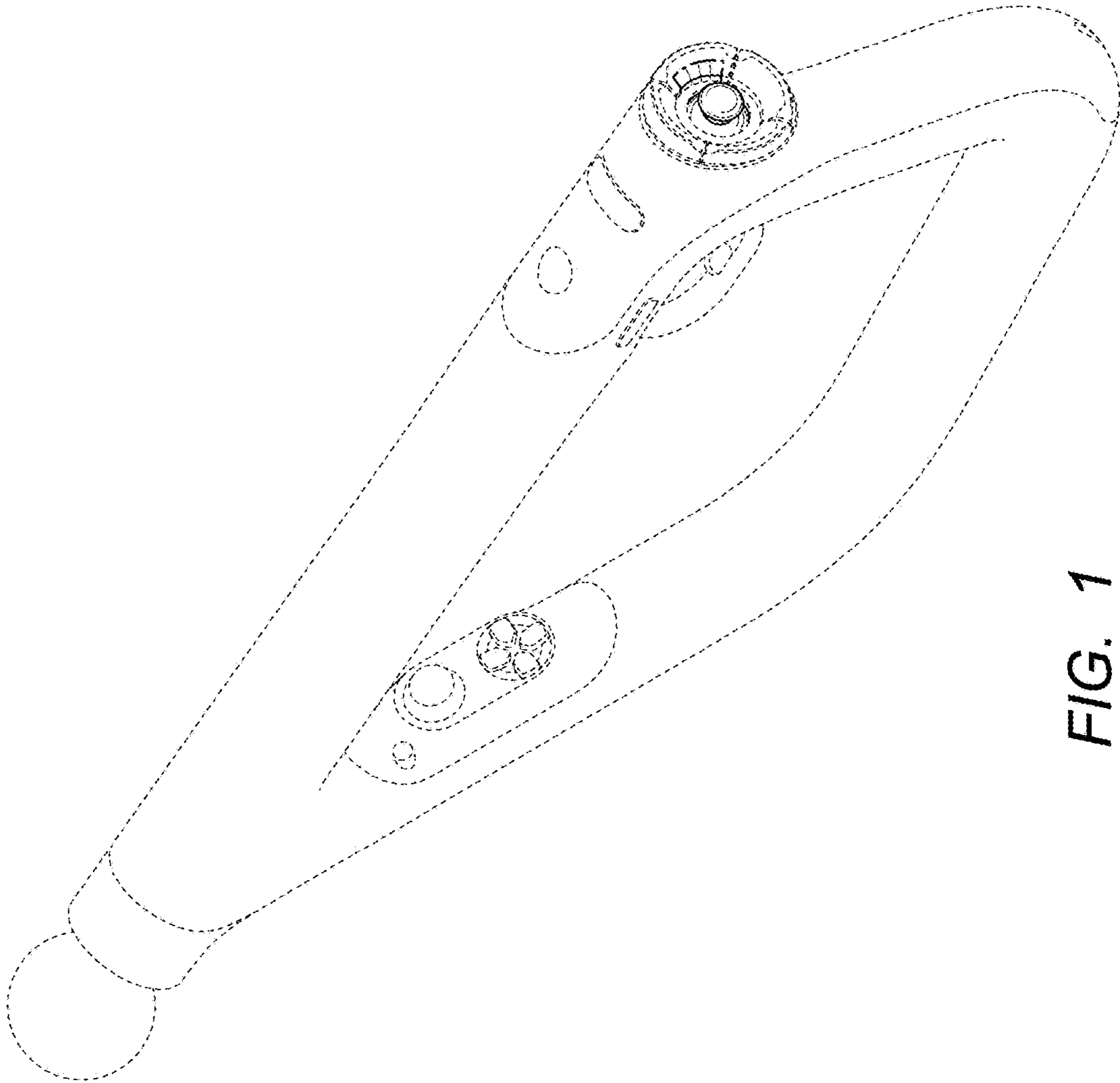


FIG. 1

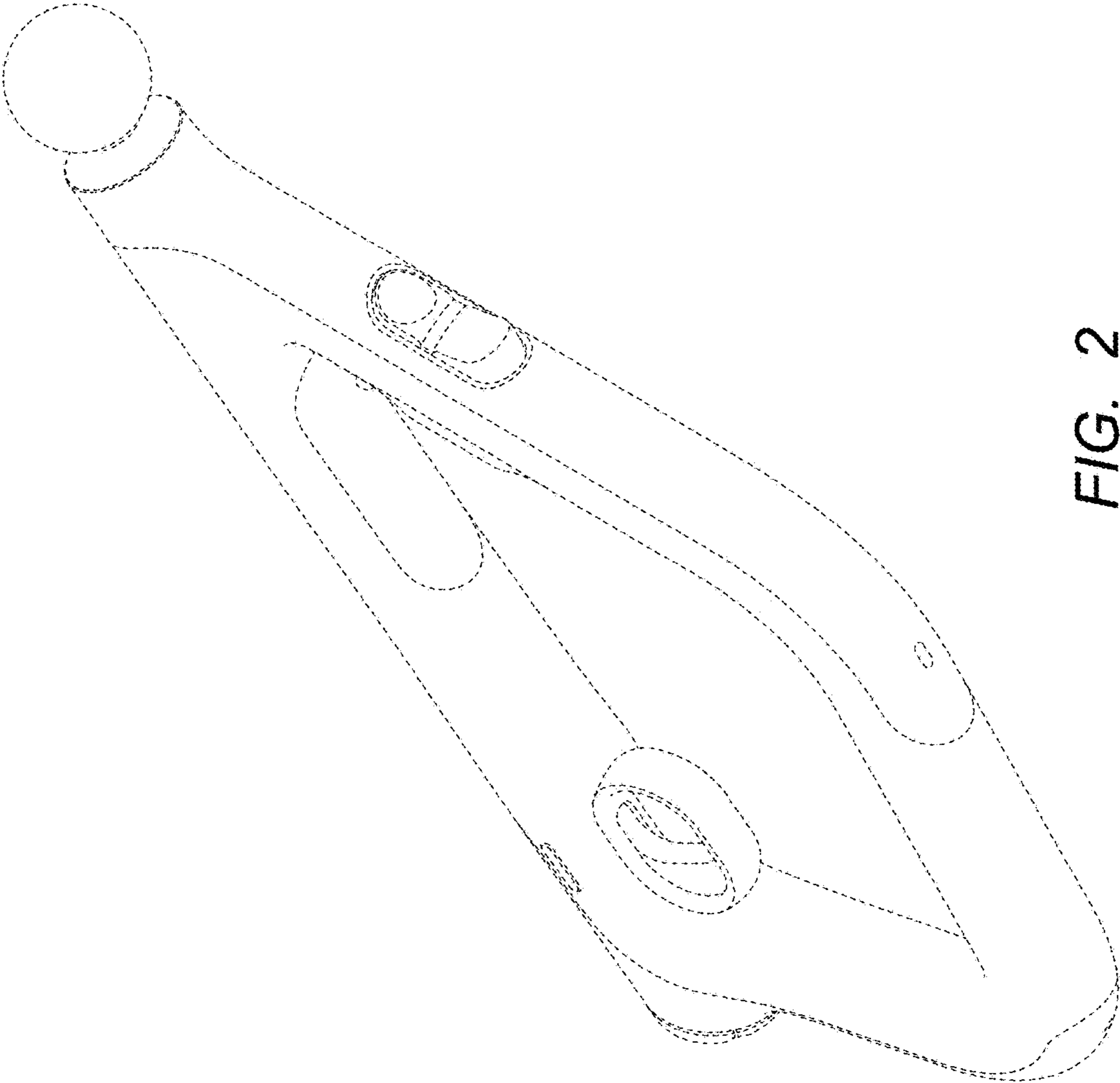


FIG. 2

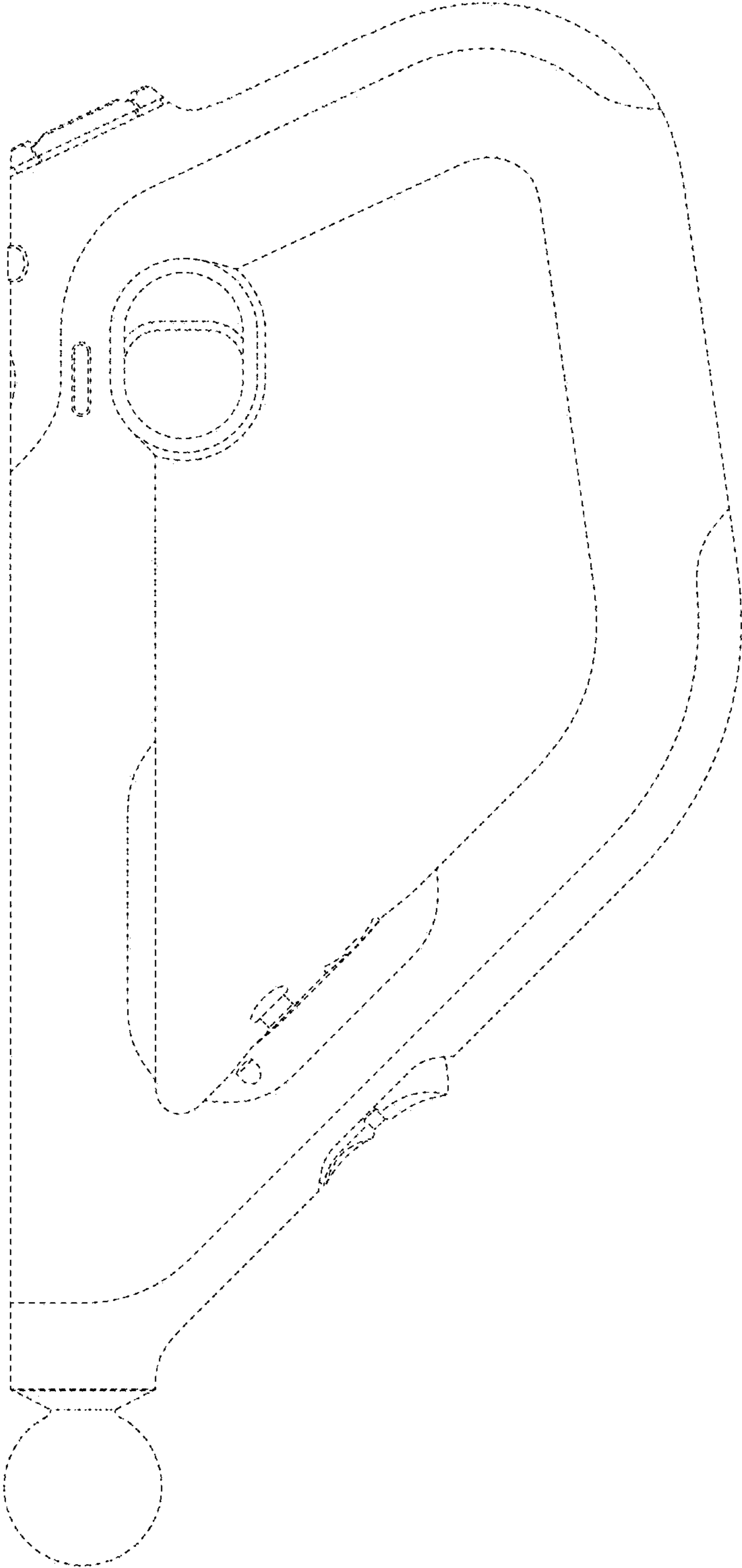


FIG. 3

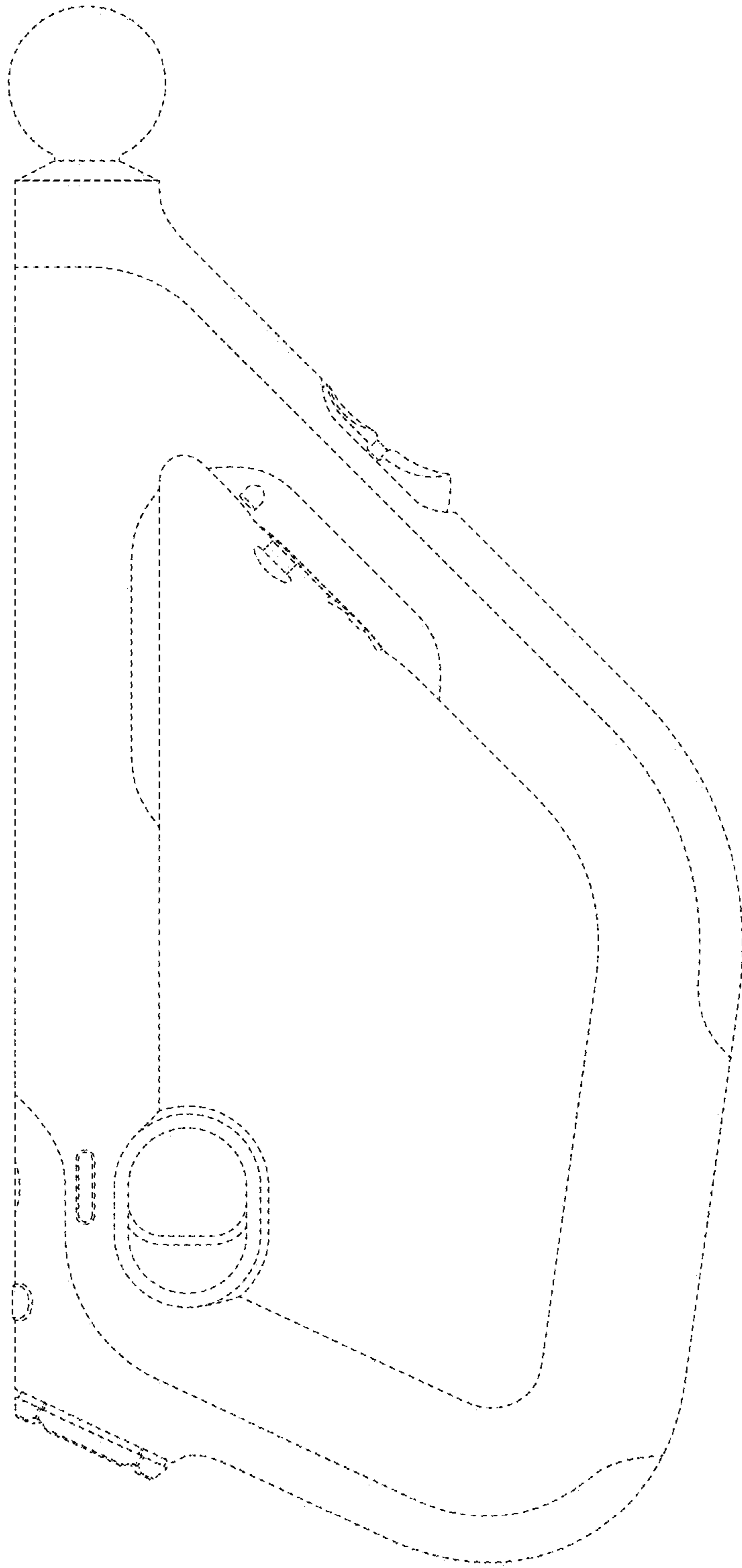


FIG. 4

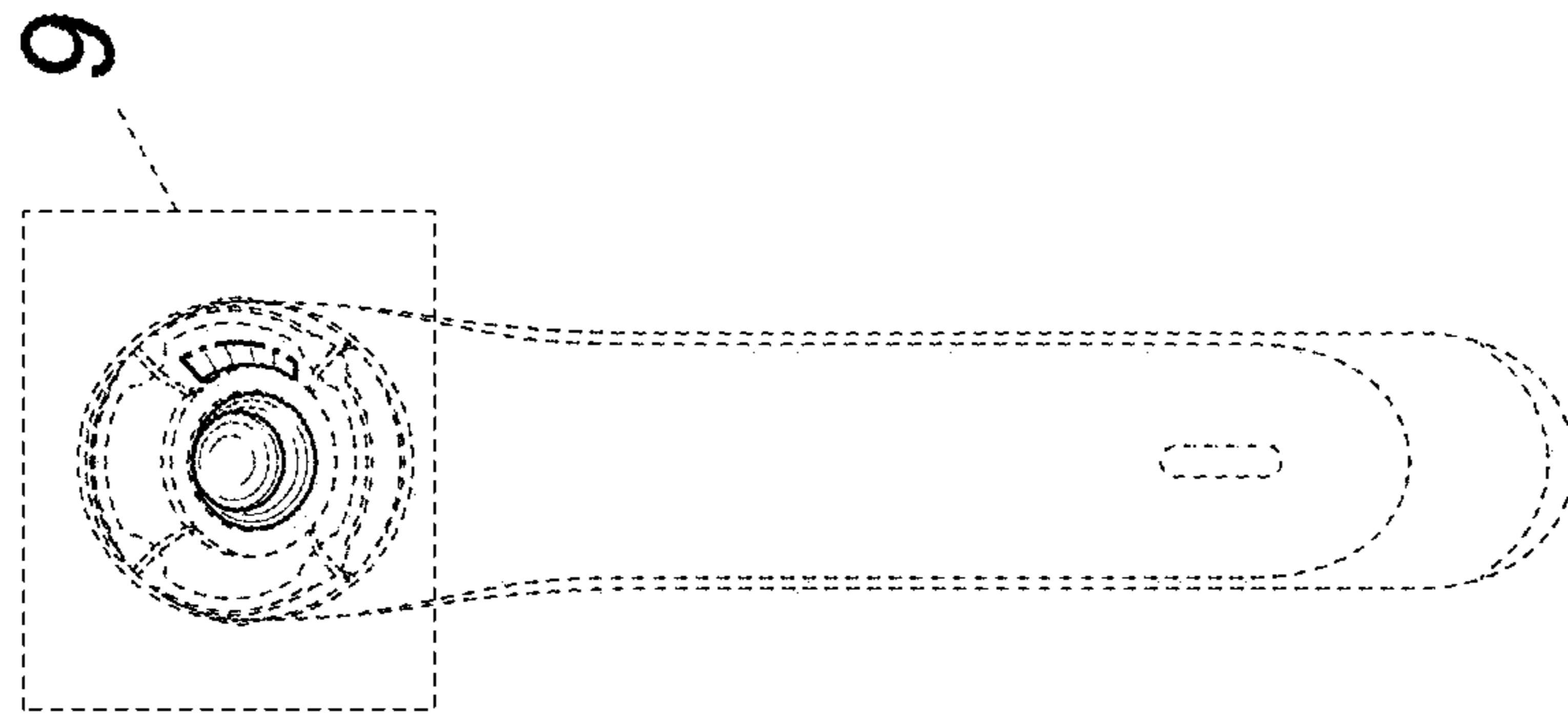


FIG. 5

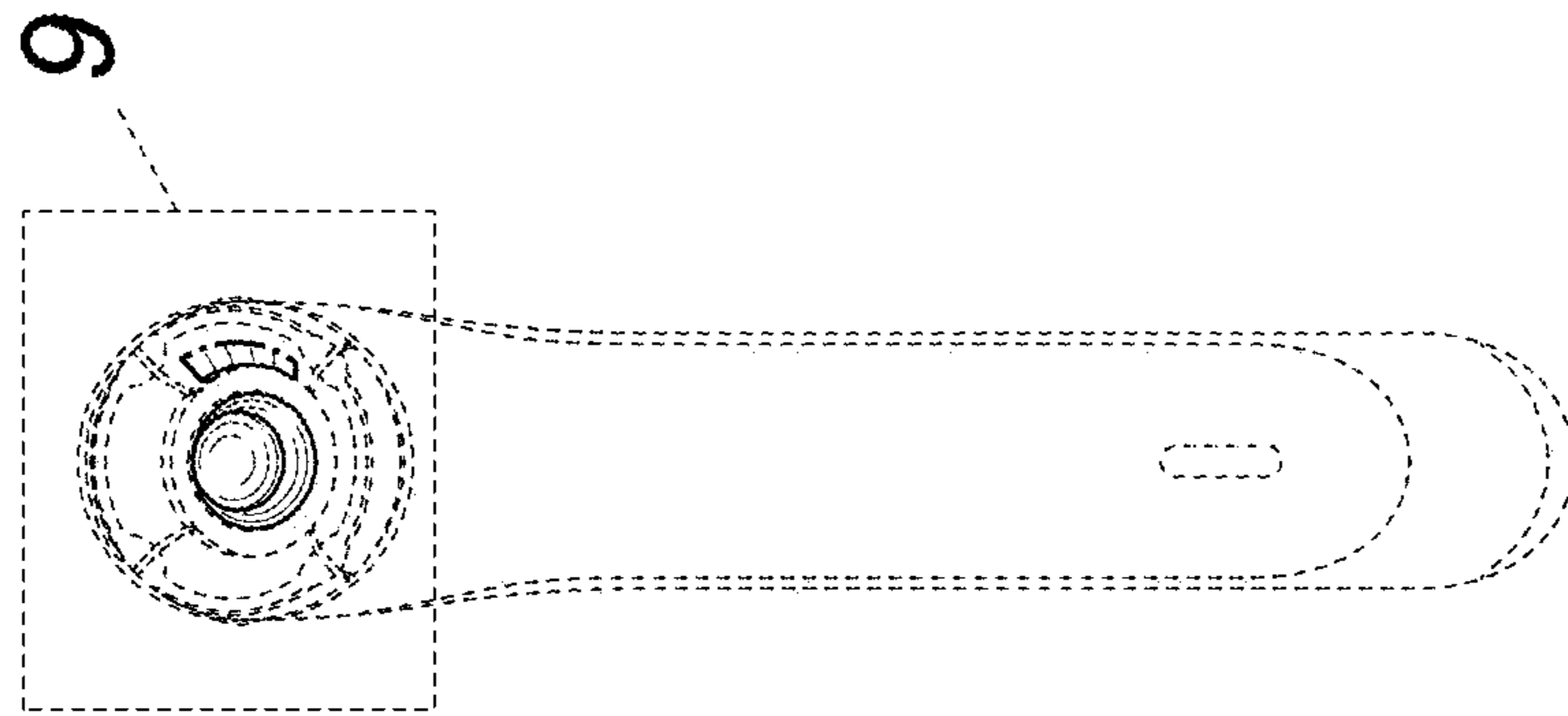
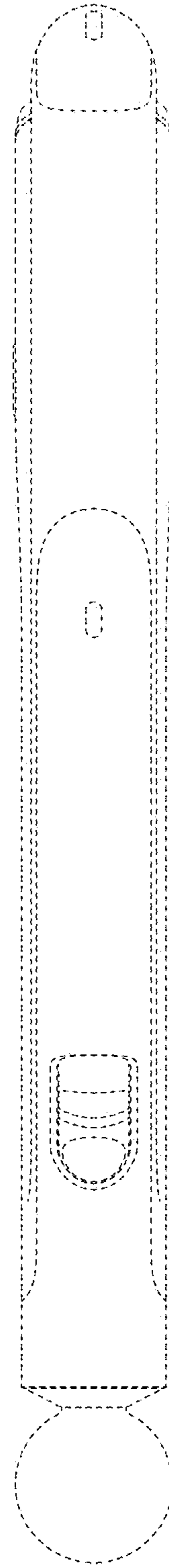
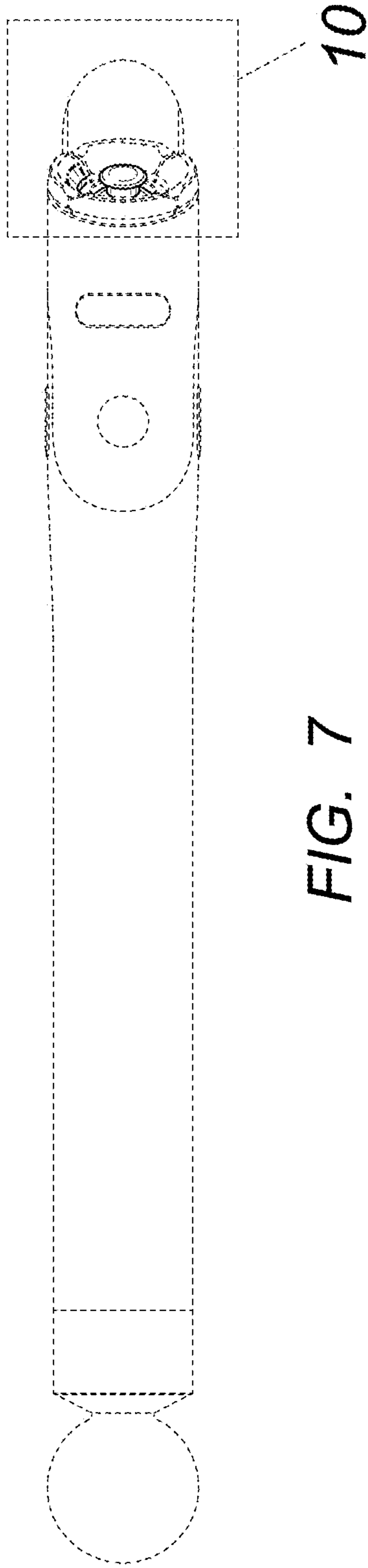


FIG. 6



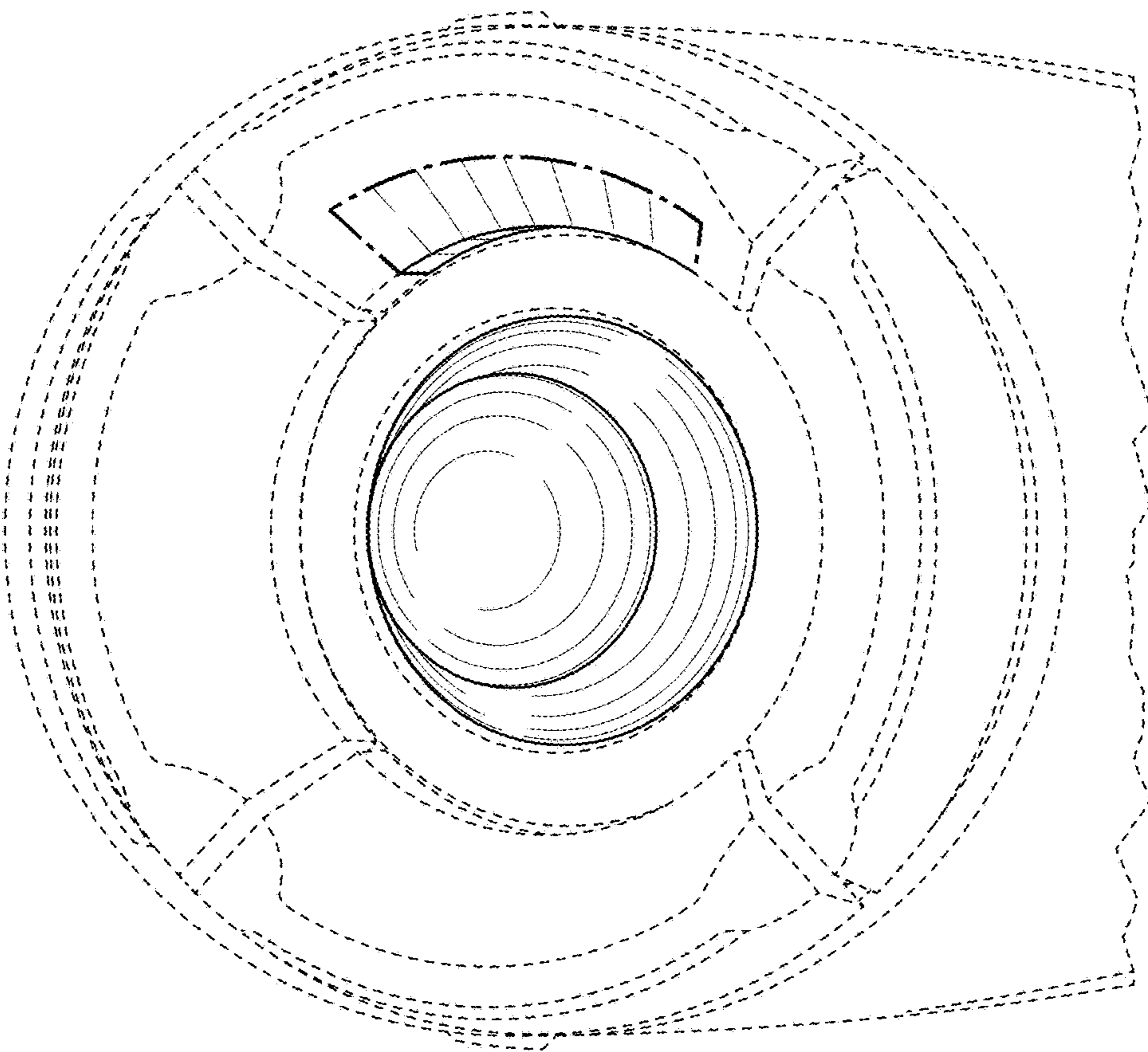


FIG. 9

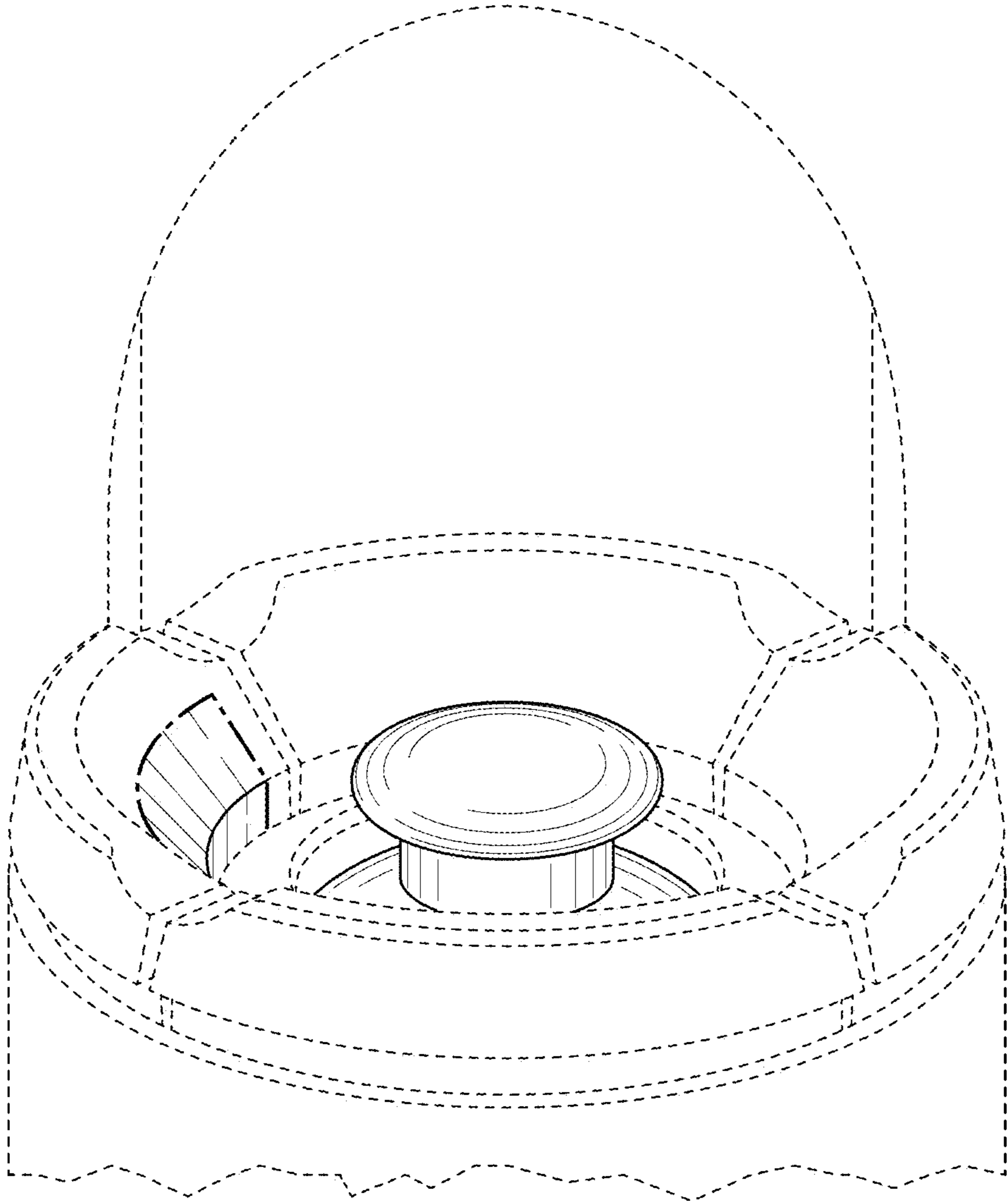


FIG. 10