



US00D812689S

(12) **United States Design Patent**  
**Fernandez**

(10) **Patent No.:** **US D812,689 S**  
(45) **Date of Patent:** **\*\* Mar. 13, 2018**

- (54) **PEN HOLDER AND PEN**
- (71) Applicant: **Edmond L. Fernandez**, Chicago, IL  
(US)
- (72) Inventor: **Edmond L. Fernandez**, Chicago, IL  
(US)
- (\*\*) Term: **15 Years**
- (21) Appl. No.: **29/562,001**
- (22) Filed: **Apr. 21, 2016**
- (51) **LOC (11) Cl.** ..... **19-06**
- (52) **U.S. Cl.**  
USPC ..... **D19/84; D19/186**
- (58) **Field of Classification Search**  
USPC ..... D9/436, 446, 723; D14/411;  
D19/115-204, 81-85, 66, 70, 71  
CPC ... B43K 5/00; B43K 7/00; B43K 7/12; B43K  
8/04; B43K 8/06; B43K 19/00; B43K  
19/02; B43K 19/14; B43K 24/08  
See application file for complete search history.

(56) **References Cited**

**U.S. PATENT DOCUMENTS**

- 1,192,719 A \* 7/1916 Wells ..... B27L 7/06  
254/104
- 1,985,307 A \* 12/1934 Boast ..... B43K 29/02  
15/430
- D166,161 S \* 3/1952 Hanle ..... D19/163
- D169,307 S \* 4/1953 Ferber ..... D19/185
- 2,919,455 A \* 1/1960 Turner ..... A47K 11/10  
15/210.1
- D190,401 S \* 5/1961 Eckhart ..... D19/84
- D192,716 S \* 5/1962 Bieger ..... D19/84
- 3,378,216 A \* 4/1968 Oss ..... F42B 10/06  
244/3.24
- D223,661 S \* 5/1972 Berg ..... D19/79
- D224,168 S \* 7/1972 Hooker ..... D19/77
- D226,041 S \* 1/1973 Woofter ..... D19/85
- D245,221 S \* 8/1977 Hoyt ..... D19/71

- 4,121,719 A \* 10/1978 Wilhelm ..... B43K 23/002  
211/69.5
- D273,876 S \* 5/1984 Evenson ..... D19/75
- D310,542 S \* 9/1990 Regnault ..... D19/166
- D328,917 S \* 8/1992 Shike ..... D19/117
- D331,941 S \* 12/1992 Meumann ..... D19/77
- D338,038 S \* 8/1993 Oka ..... 401/6
- D342,282 S \* 12/1993 Kennedy ..... D19/185
- D357,500 S \* 4/1995 Mutterperl
- D385,916 S \* 11/1997 Katami ..... D19/166
- 5,898,427 A \* 4/1999 Okamoto ..... G06F 1/1626  
178/19.01
- 6,416,241 B1 \* 7/2002 Adams ..... B43K 29/02  
15/105.51

(Continued)

**OTHER PUBLICATIONS**

Thingiverse API; Pen Holder—triangle collection; 2016 MakerBot Industries, LLC; webpage printout Mar. 21, 2016.

(Continued)

*Primary Examiner* — Elizabeth Albert

(74) *Attorney, Agent, or Firm* — Cook Alex Ltd.

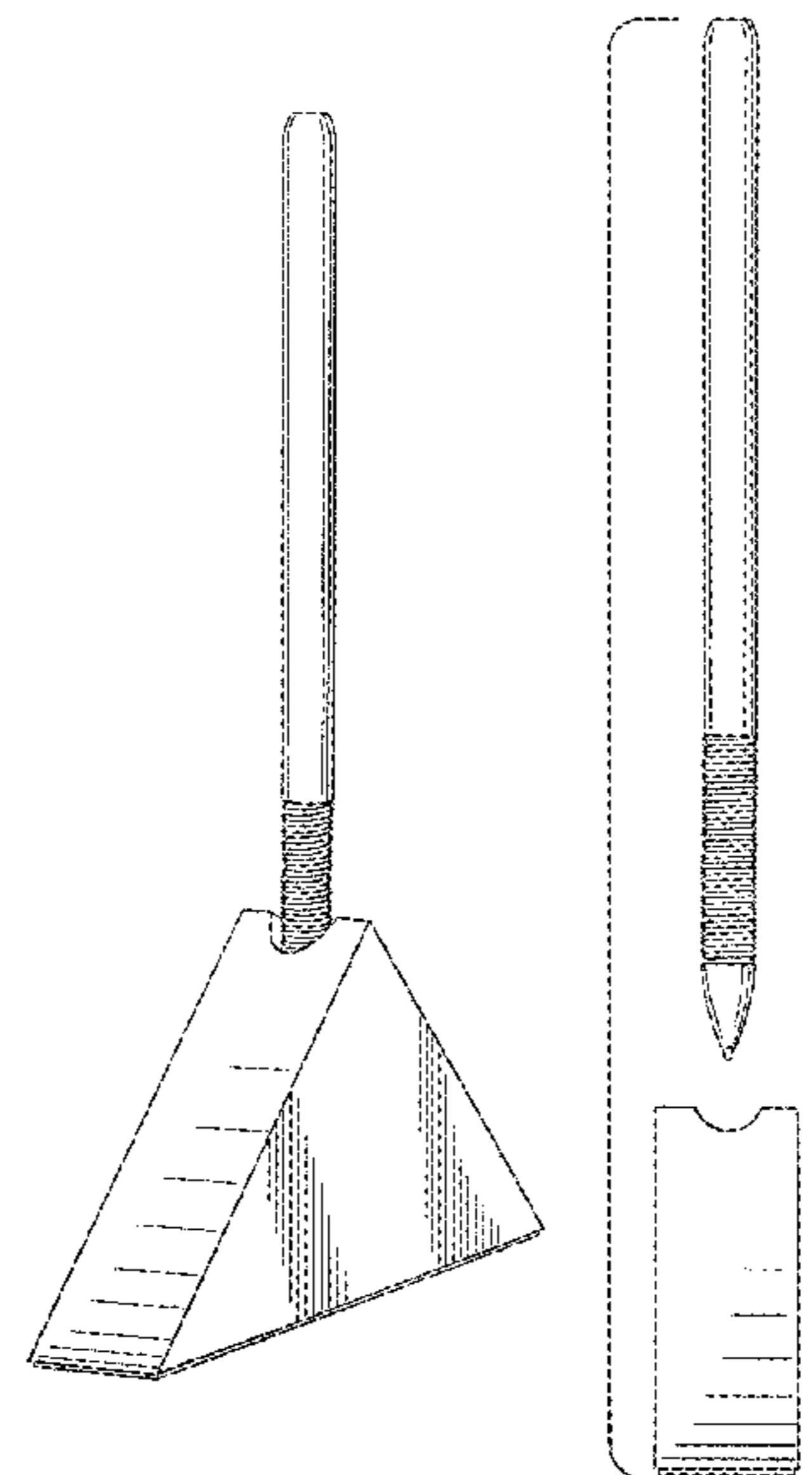
(57) **CLAIM**

The ornamental design for a pen holder and pen, as shown and described.

**DESCRIPTION**

FIG. 1 is a perspective view of a pen holder and pen showing the new design;  
 FIG. 2 is a top plan view thereof;  
 FIG. 3 is a bottom plan view thereof;  
 FIG. 4 is a side elevational view thereof, the opposite side elevational view being identical thereto;  
 FIG. 5 is an end elevational view thereof, the opposite end elevational view being identical thereto;  
 FIG. 6 is an exploded side elevational view thereof; and,  
 FIG. 7 is an exploded end elevational view thereof.

**1 Claim, 3 Drawing Sheets**



(56)

**References Cited**

U.S. PATENT DOCUMENTS

D463,959 S 10/2002 Weibel  
D487,112 S 2/2004 Cheng  
6,712,538 B1 \* 3/2004 Green ..... B43K 23/012  
401/48  
6,745,949 B2 \* 6/2004 Lee ..... A47G 21/18  
215/229  
D492,720 S 7/2004 Chiu  
D546,201 S \* 7/2007 Bhavnani ..... D10/15  
D705,866 S 5/2014 Adelman et al.

OTHER PUBLICATIONS

Audapromo.en.alibaba.com; photograph of pen holders; webpage printout Mar. 21, 2016.  
Pin & Pin; pnp.en.alibaba.com; photograph of pen holder; webpage printout Mar. 21, 2016.  
Application; media-cache-ak0.pinimg.com; photograph of multi-pencil holder; webpage printout Mar. 21, 2016.  
Pinterest; "isfjell" salt and pepper concept; webpage printout Mar. 21, 2016.  
G03.a.alicdn.com; photograph of tower encased in pyramid; webpage printout Mar. 21, 2016.  
Promotionalpromo.com; RCO Triangle pen with holder; webpage printout Mar. 21, 2016.  
100byhand.com; Golden clay pen holder triangle; webpage printouts Mar. 21, 2016.

\* cited by examiner

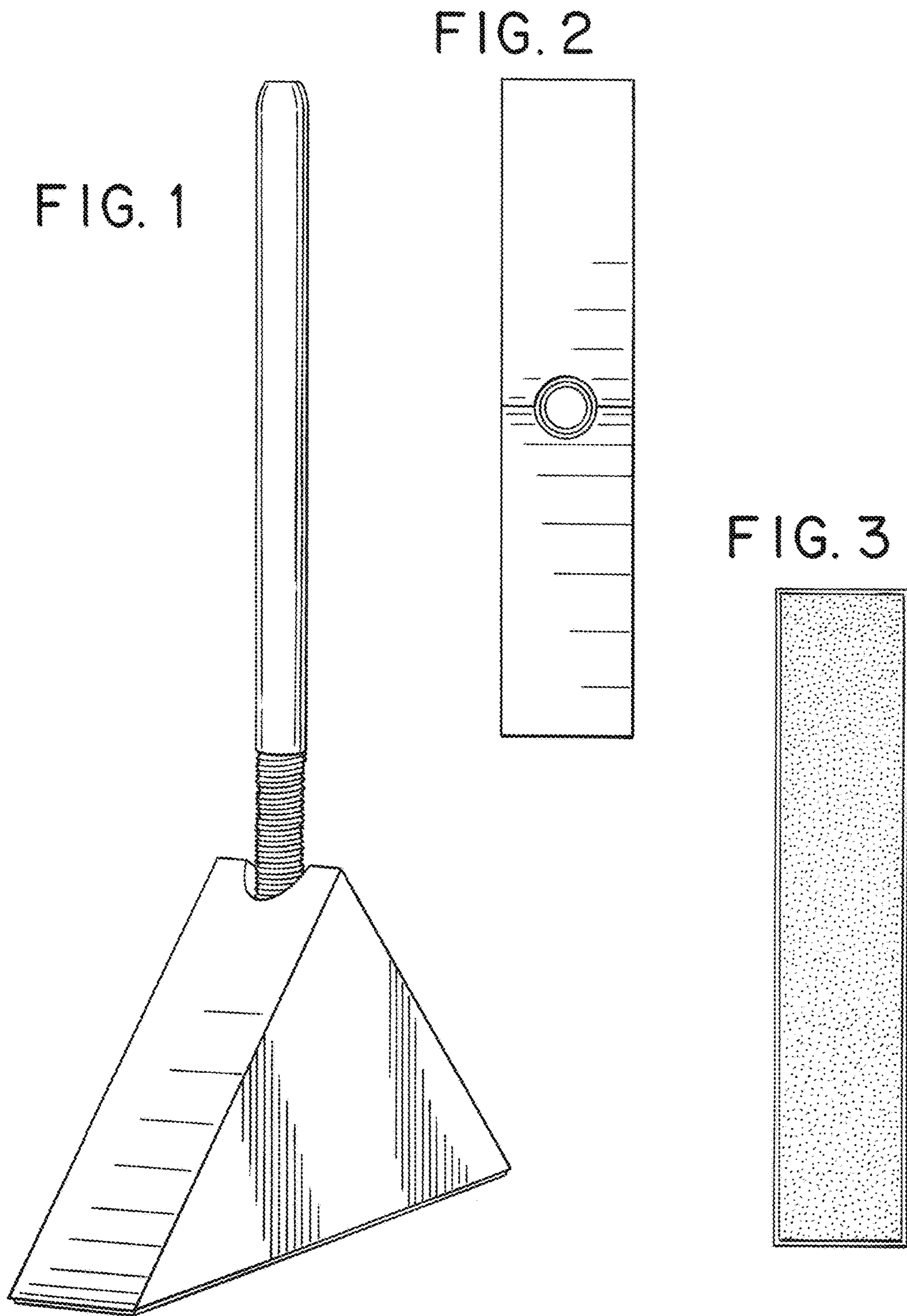


FIG. 4

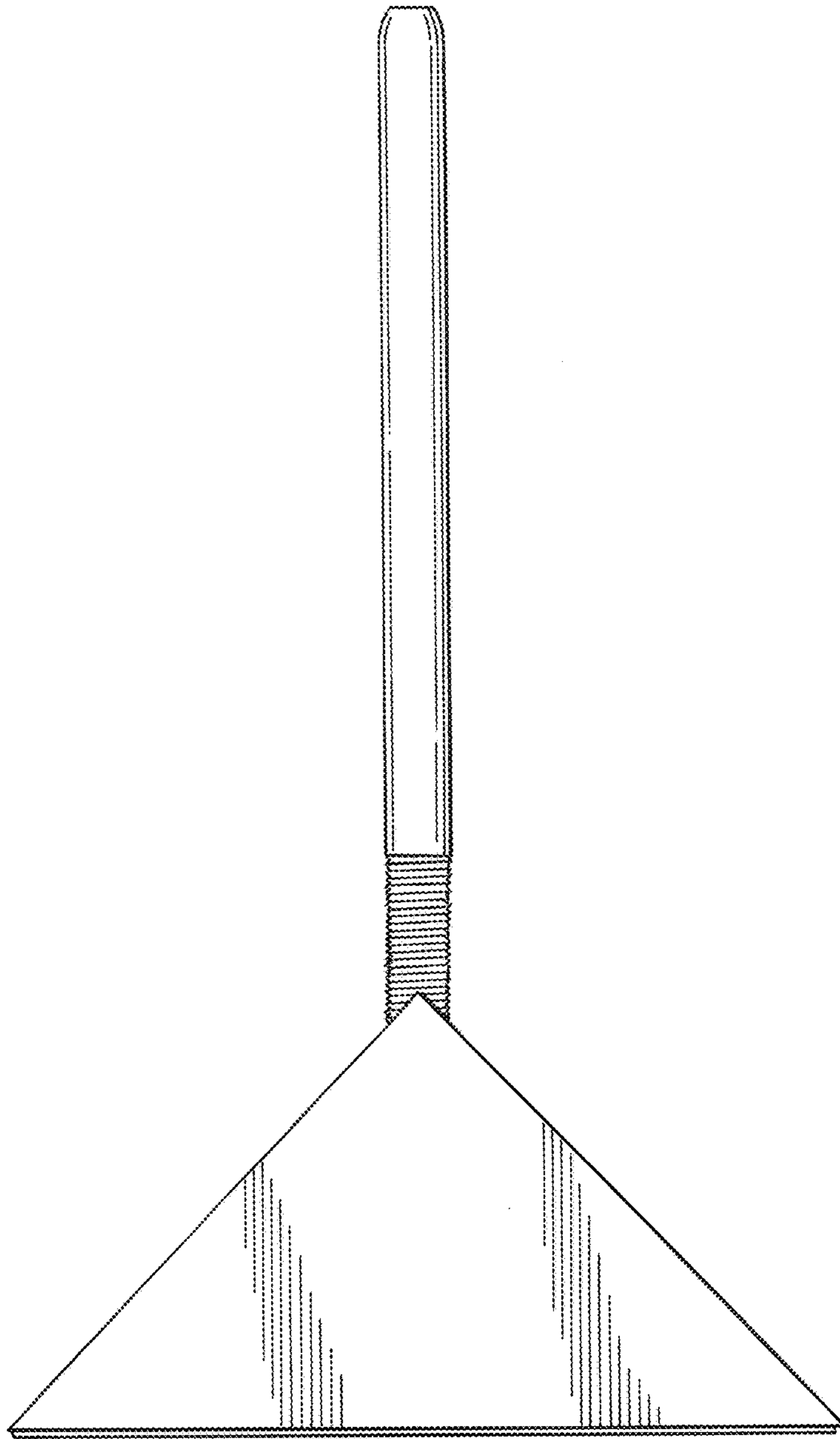


FIG. 5

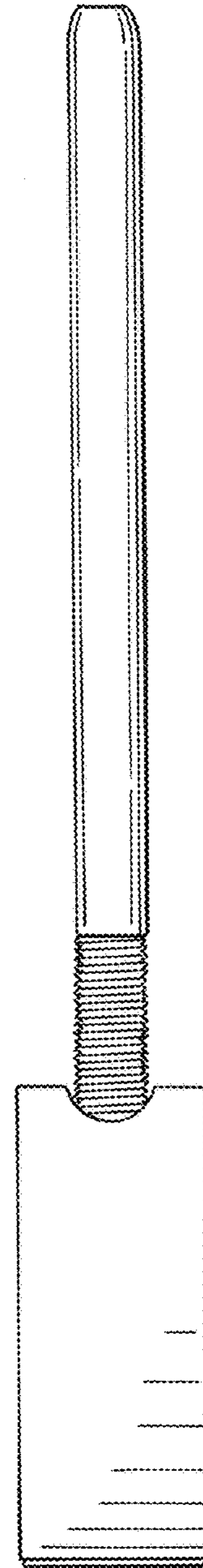


FIG.6

FIG.7

