

US00D812686S

(12) **United States Design Patent**
Fyke et al.

(10) **Patent No.:** **US D812,686 S**
(45) **Date of Patent:** **** Mar. 13, 2018**

- (54) **EDUCATIONAL PROJECTOR DEVICE**
- (71) Applicants: **John Fyke**, Newport Beach, CA (US);
Marlis Fyke, Newport Beach, CA (US)
- (72) Inventors: **John Fyke**, Newport Beach, CA (US);
Marlis Fyke, Newport Beach, CA (US)
- (**) Term: **14 Years**
- (21) Appl. No.: **29/510,949**
- (22) Filed: **Dec. 4, 2014**
- (51) **LOC (11) Cl.** **19-07**
- (52) **U.S. Cl.**
USPC **D19/59**
- (58) **Field of Classification Search**
USPC D19/59-64; D21/397; D9/502, 531,
D9/633, 733; 434/180; 446/219, 268;
353/79, 85, 98-100, 119, 120; 362/175,
362/404, 642; 220/685, 687, DIG. 1;
381/100, 103, 336; 217/72, 76, 88;
181/147, 153; 368/10; D11/149;
D14/216; D15/80; D23/243; D34/139
CPC A63H 3/003; F21S 8/035; F21V 21/32;
F21V 33/0096; G02B 27/22; G03B
21/001; G03B 21/006; G03B 21/145;
G03B 21/14; G03B 21/147; G03B
21/2033; G03B 21/28; G03B 21/10;
G03B 21/64; G04G 11/00; G09B 17/003;
G09B 19/00; G09B 19/025; G09B 5/02
See application file for complete search history.

D254,293 S * 2/1980 Fortuna D9/633
 5,311,226 A 5/1994 Karasawa
 5,517,264 A 5/1996 Sutton
 D372,564 S * 8/1996 Casey D34/39
 5,545,072 A * 8/1996 Arad A63H 3/003
 446/219
 6,302,556 B1 * 10/2001 Filip F21V 33/0096
 362/404
 D483,202 S * 12/2003 Slemmons D21/397
 D484,871 S * 1/2004 Solland D14/216
 D492,617 S * 7/2004 Axworthy D11/149
 7,267,444 B2 * 9/2007 Black, Jr. G03B 21/001
 353/79
 7,438,446 B1 10/2008 McCann
 RE41,050 E * 12/2009 Panasewicz G03B 21/145
 353/119
 D627,182 S * 11/2010 Wirth D9/633

(Continued)

Primary Examiner — Ian Simmons
Assistant Examiner — Mark Cavanna
 (74) *Attorney, Agent, or Firm* — Eric Karich; Karich &
 Associates

(57) **CLAIM**

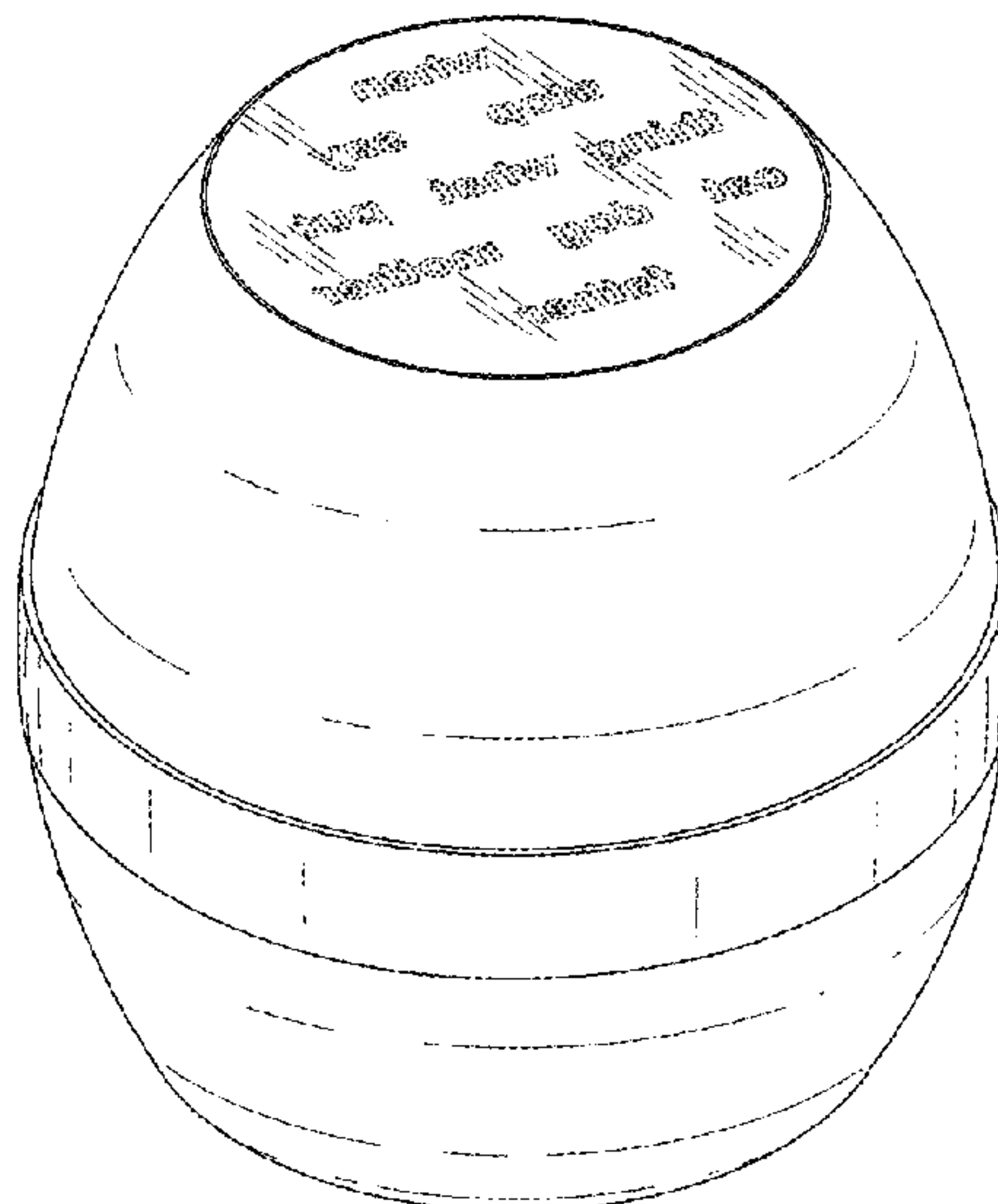
The ornamental design for an “educational projector device,” as shown and described.

DESCRIPTION

FIG. 1 is a perspective view of an educational projector device, showing my new design;
 FIG. 2 is a front elevational view thereof;
 FIG. 3 is a rear elevational view thereof;
 FIG. 4 is a left side elevational view thereof
 FIG. 5 is a right side elevational view thereof;
 FIG. 6 is a top plan view thereof; and,
 FIG. 7 is a bottom plan view thereof.
 The broken line showing of sight words formed in a cap of the device are included for the purpose of illustrating environmental structure and forms no part of the claimed design.

1 Claim, 2 Drawing Sheets

- (56) **References Cited**
U.S. PATENT DOCUMENTS
- 3,583,797 A 6/1971 Schoenfield
- D226,424 S * 3/1973 Cooper D9/633
- 3,818,138 A * 6/1974 Sperrazza, Jr. H04R 1/323
381/336
- D238,550 S * 1/1976 Edwards D9/633



(56)

References Cited

U.S. PATENT DOCUMENTS

7,871,192	B2	1/2011	Chien	
D640,033	S *	6/2011	Magrenan	D34/39
D649,316	S *	11/2011	Emond	D34/1
8,104,903	B2 *	1/2012	Feliciano	G03B 21/145 353/119
8,128,274	B2	3/2012	Chien	
8,284,631	B2 *	10/2012	Cho	G04G 11/00 368/10
D684,891	S *	6/2013	Team	D11/149
8,684,557	B2 *	4/2014	Totani	G03B 21/2033 362/175
8,702,245	B2 *	4/2014	Chien	G03B 21/006 353/85
8,879,782	B2 *	11/2014	Garlington	G03B 21/10 353/99
D721,281	S *	1/2015	Vella	D9/633
9,157,589	B2 *	10/2015	Chien	F21S 8/035
D765,232	S *	8/2016	Horsfield	D23/343
D781,931	S *	3/2017	Sherman	D15/80
9,750,294	B2 *	9/2017	Sum	G03B 21/14
2004/0119951	A1 *	6/2004	Vitantonio	G03B 21/28 353/119
2008/0174737	A1	7/2008	Zebersky	
2009/0221211	A1	9/2009	Ngo et al.	
2010/0240277	A1	9/2010	Rapp	
2013/0280985	A1	10/2013	Klein	
2014/0268882	A1 *	9/2014	Hoang	F21V 21/32 362/642

* cited by examiner

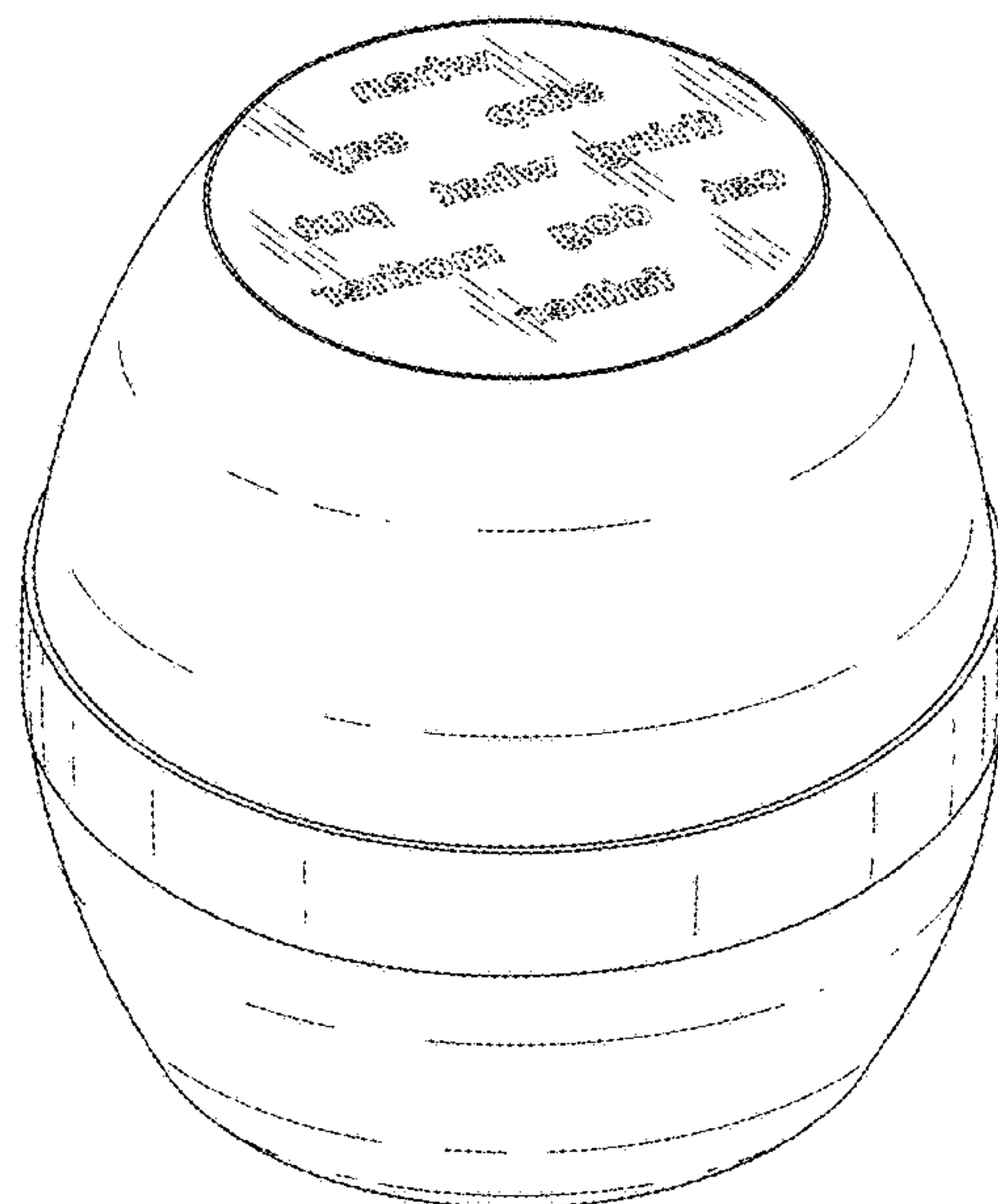


Fig. 1

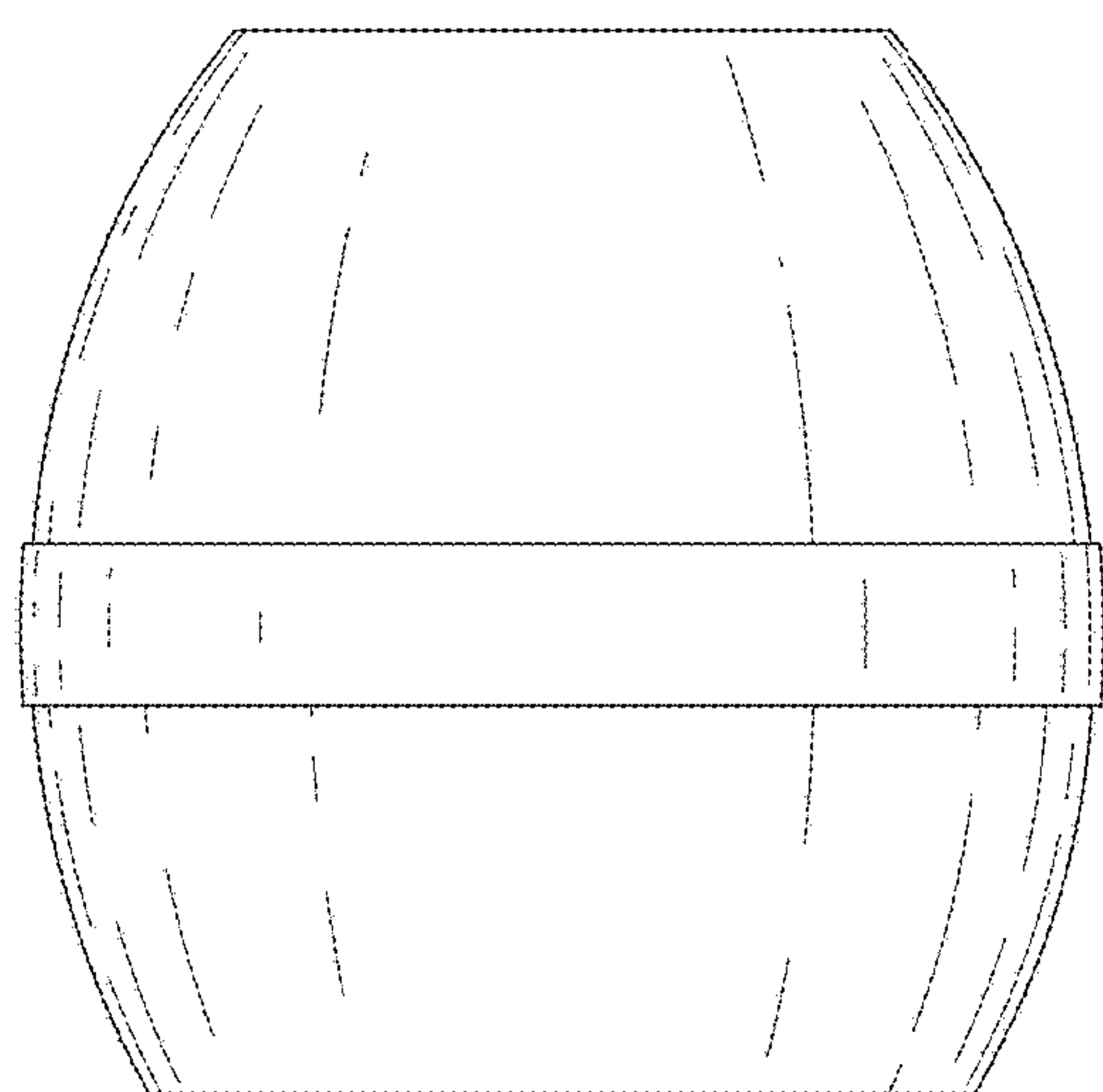


Fig. 2

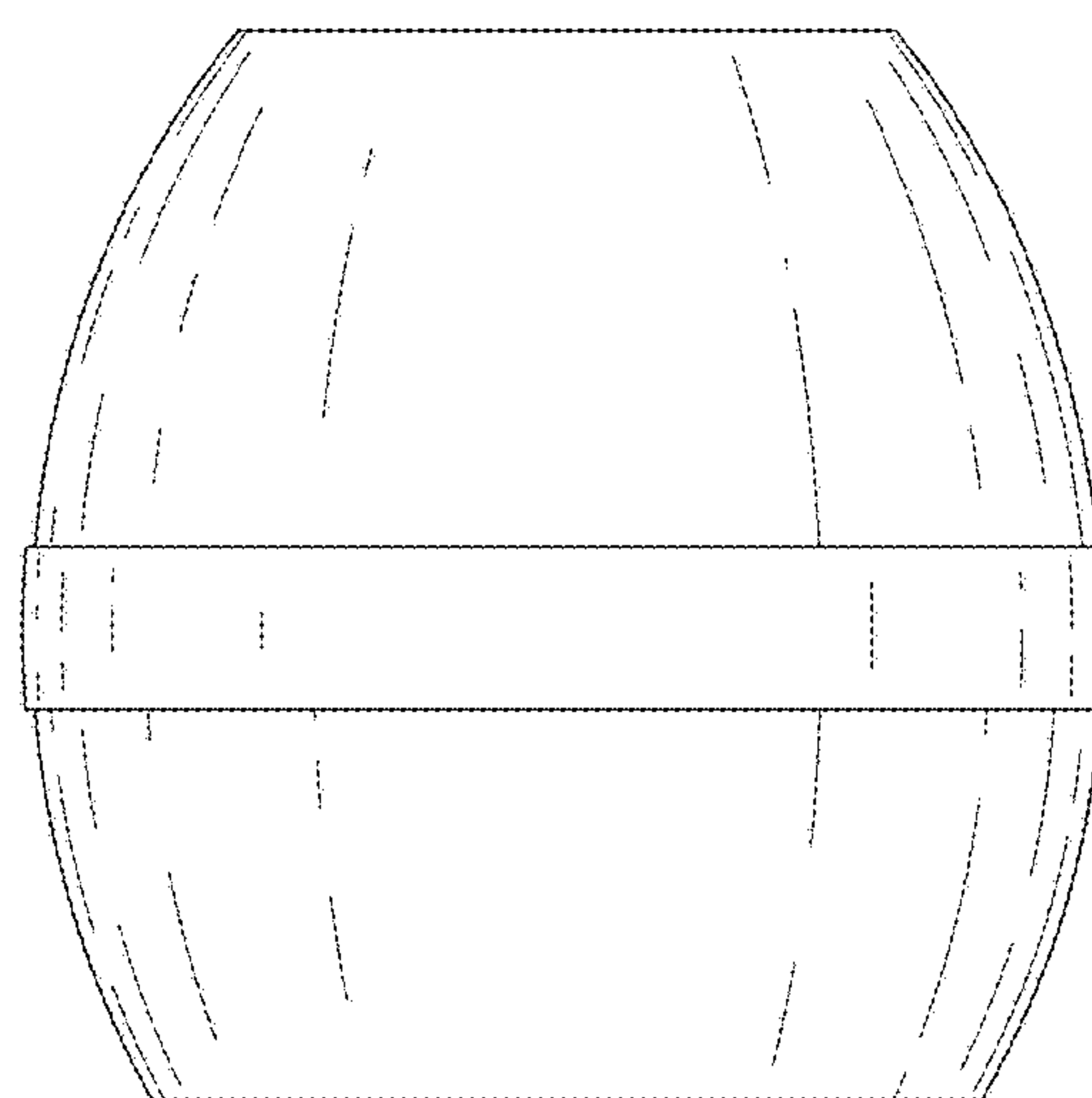


Fig. 3

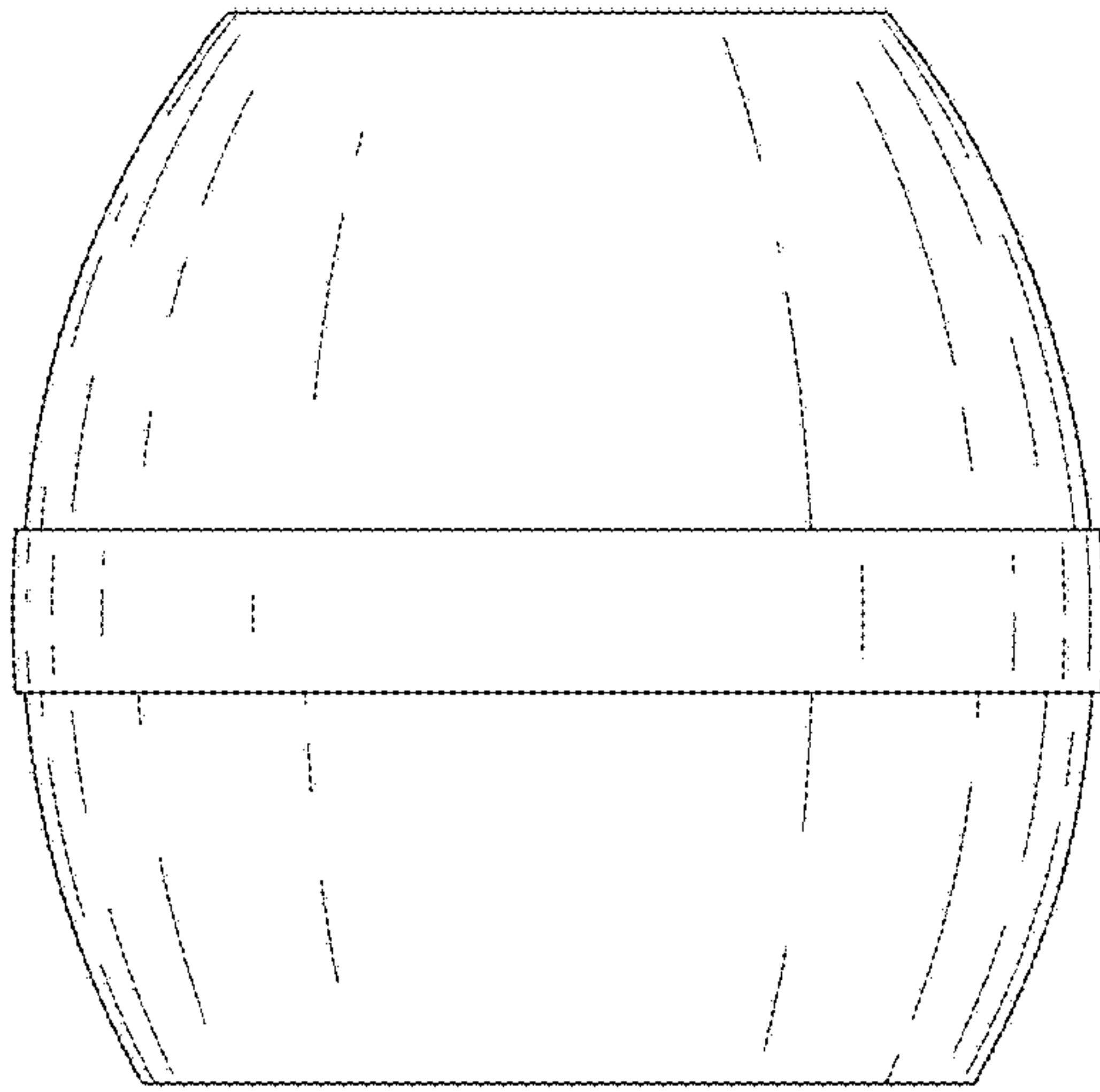


Fig. 4

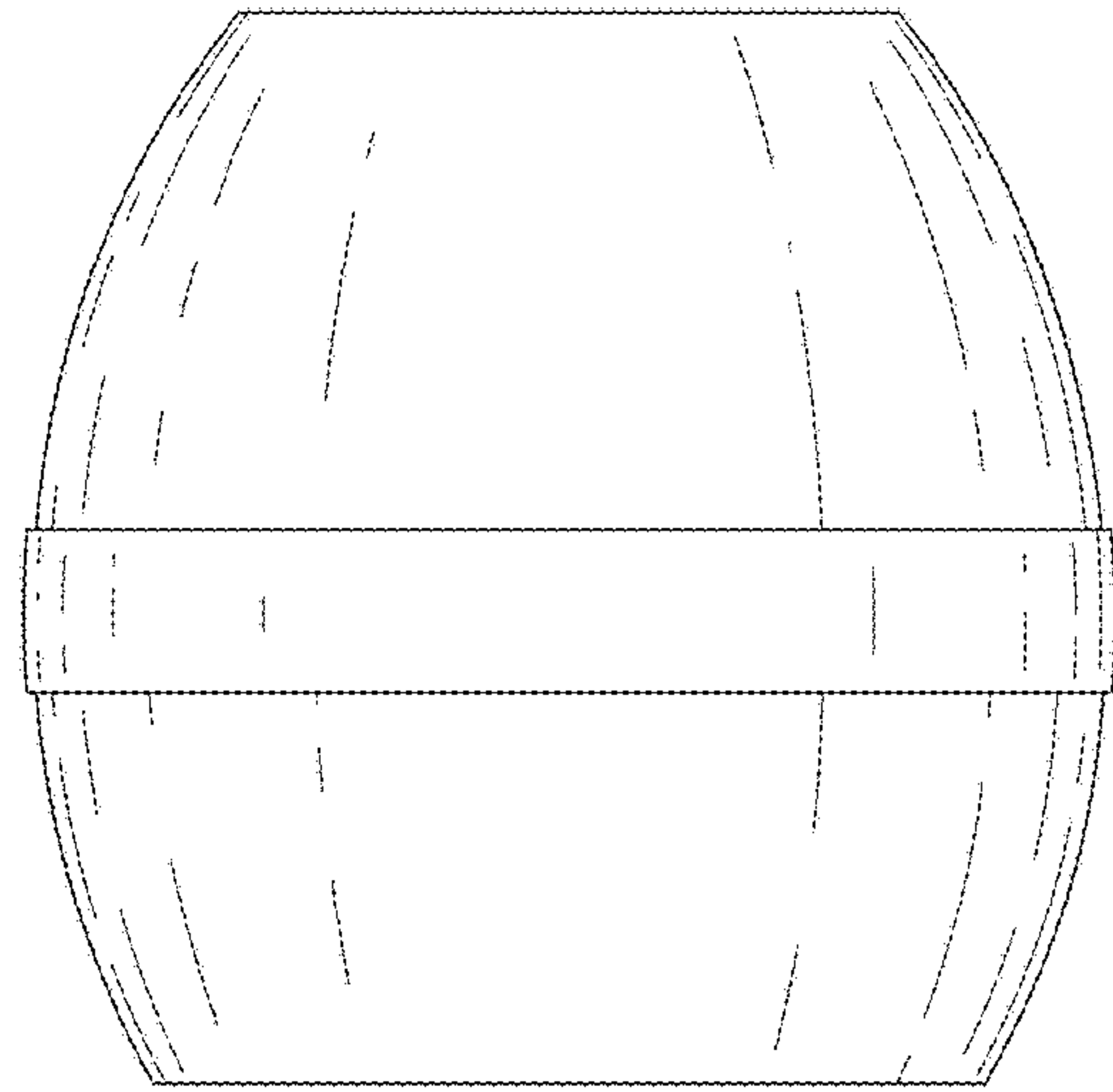


Fig. 5

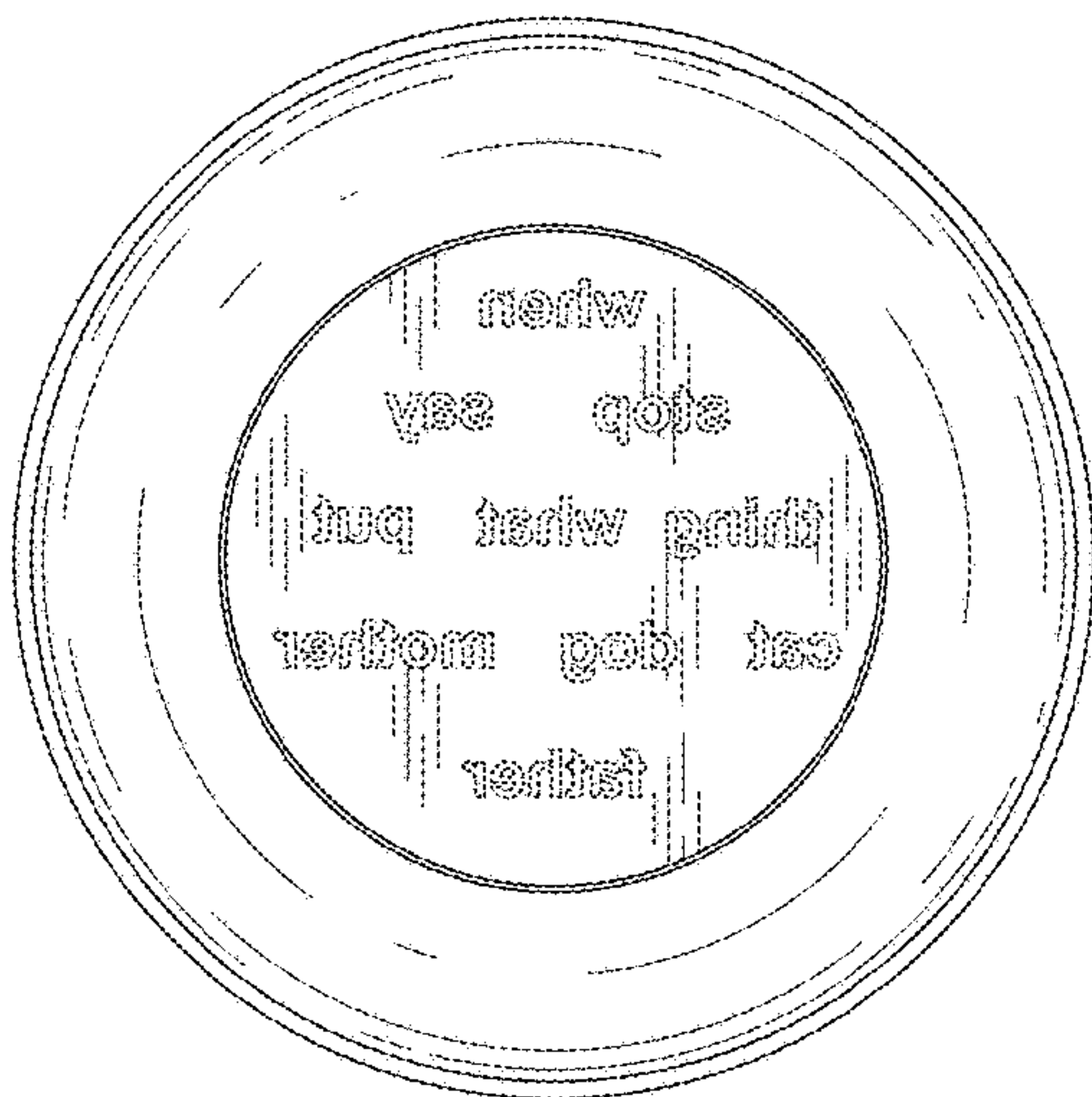


Fig. 6

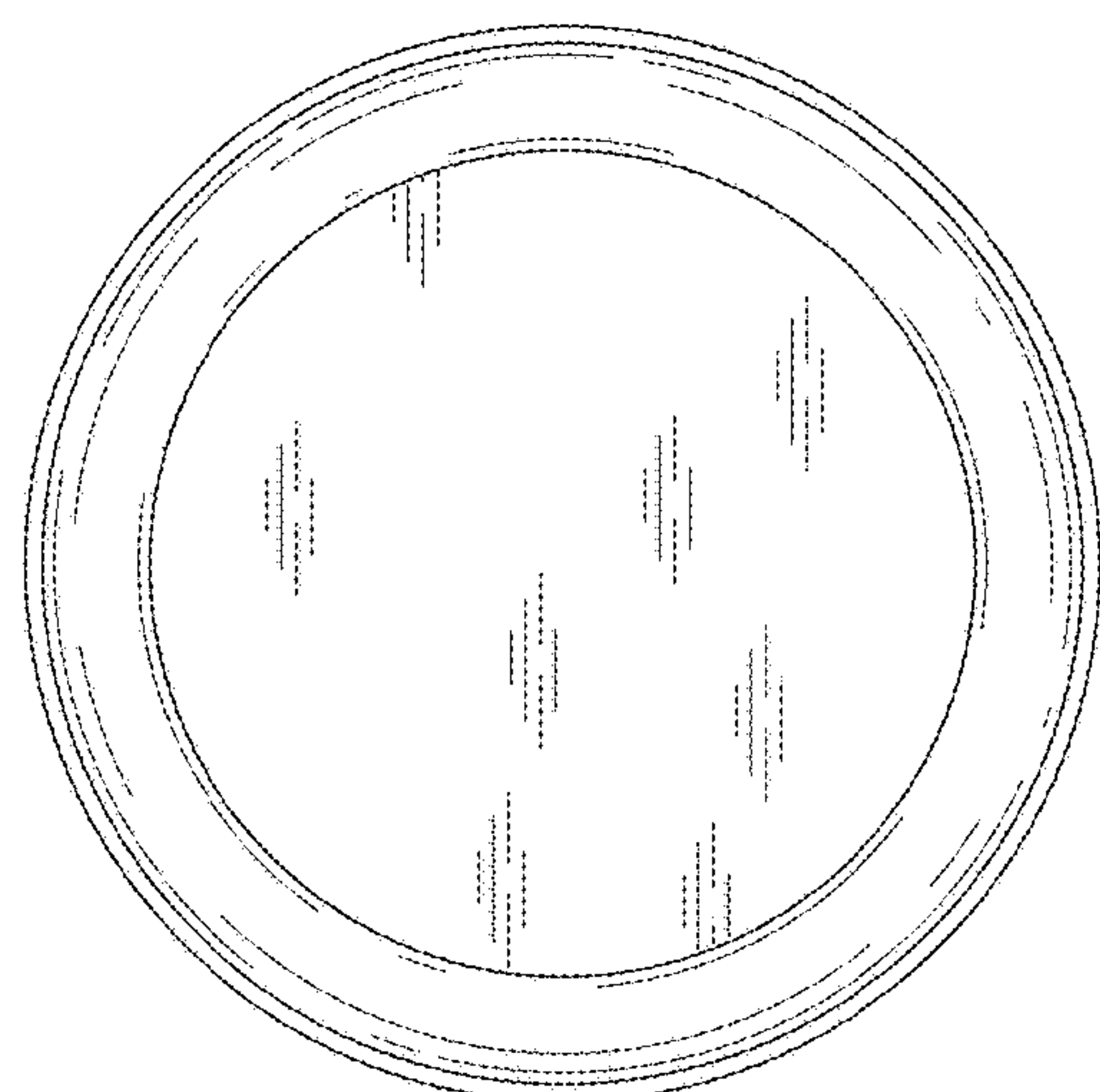


Fig. 7