



US00D812685S

(12) **United States Design Patent**  
**Williams et al.**

(10) **Patent No.:** **US D812,685 S**

(45) **Date of Patent:** **\*\* Mar. 13, 2018**

(54) **TRANSACTION CARD**

B42D 2033/00; B42D 2033/08; B42D  
2033/10; B42D 2033/16; B42D 2033/20;  
B42D 2033/30

(71) Applicant: **American Express Travel Related  
Services Company, Inc.**, New York,  
NY (US)

See application file for complete search history.

(72) Inventors: **Troy Williams**, New York, NY (US);  
**Peter Bates**, West Newton, MA (US);  
**Michel David Arney**, Wellesley, MA  
(US); **Damien Vizcarra**, Pasadena, CA  
(US)

(56) **References Cited**

U.S. PATENT DOCUMENTS

D582,476 S *	12/2008	Field	.....	D19/10
D616,295 S *	5/2010	Britt	.....	D19/9
D759,302 S *	6/2016	Gadas	.....	D19/10
D765,176 S *	8/2016	Blum	.....	D19/10
D788,848 S *	6/2017	Blum	.....	D19/10

(73) Assignee: **AMERICAN EXPRESS TRAVEL  
RELATED SERVICES COMPANY,  
INC.**, New York, NY (US)

\* cited by examiner

(\*\*) Term: **15 Years**

*Primary Examiner* — Abraham Bahta

(21) Appl. No.: **29/548,282**

(74) *Attorney, Agent, or Firm* — Snell & Wilmer L.L.P.

(22) Filed: **Dec. 11, 2015**

(51) **LOC (11) Cl.** ..... **19-08**

(52) **U.S. Cl.**

USPC ..... **D19/9**

(58) **Field of Classification Search**

USPC ..... D19/1-12, 20-34, 100;  
40/124.01-124.15, 672, 661, 726, 776,  
40/617; 283/72, 74-75, 103, 105-117,  
283/81-82, 70, 94, 904; 206/449, 815;  
D21/385; D20/10, 22, 27, 40, 42, 11;  
D14/435-437; D6/613, 583; 362/2;  
235/380, 382, 487, 493, 488

CPC .. B42D 15/022; B42D 15/045; B42D 15/027;  
B42D 15/042; B42D 25/29; B42D 25/00;  
B42D 25/20; B42D 25/30; B42D 25/40;  
B42D 25/23; B42D 25/26; B42D 25/285;

(57) **CLAIM**

The ornamental design for a transaction card, as shown and described.

**DESCRIPTION**

FIG. 1 is a perspective view of the transaction card showing our new design;

FIG. 2 is another perspective view thereof;

FIG. 3 is a front view thereof;

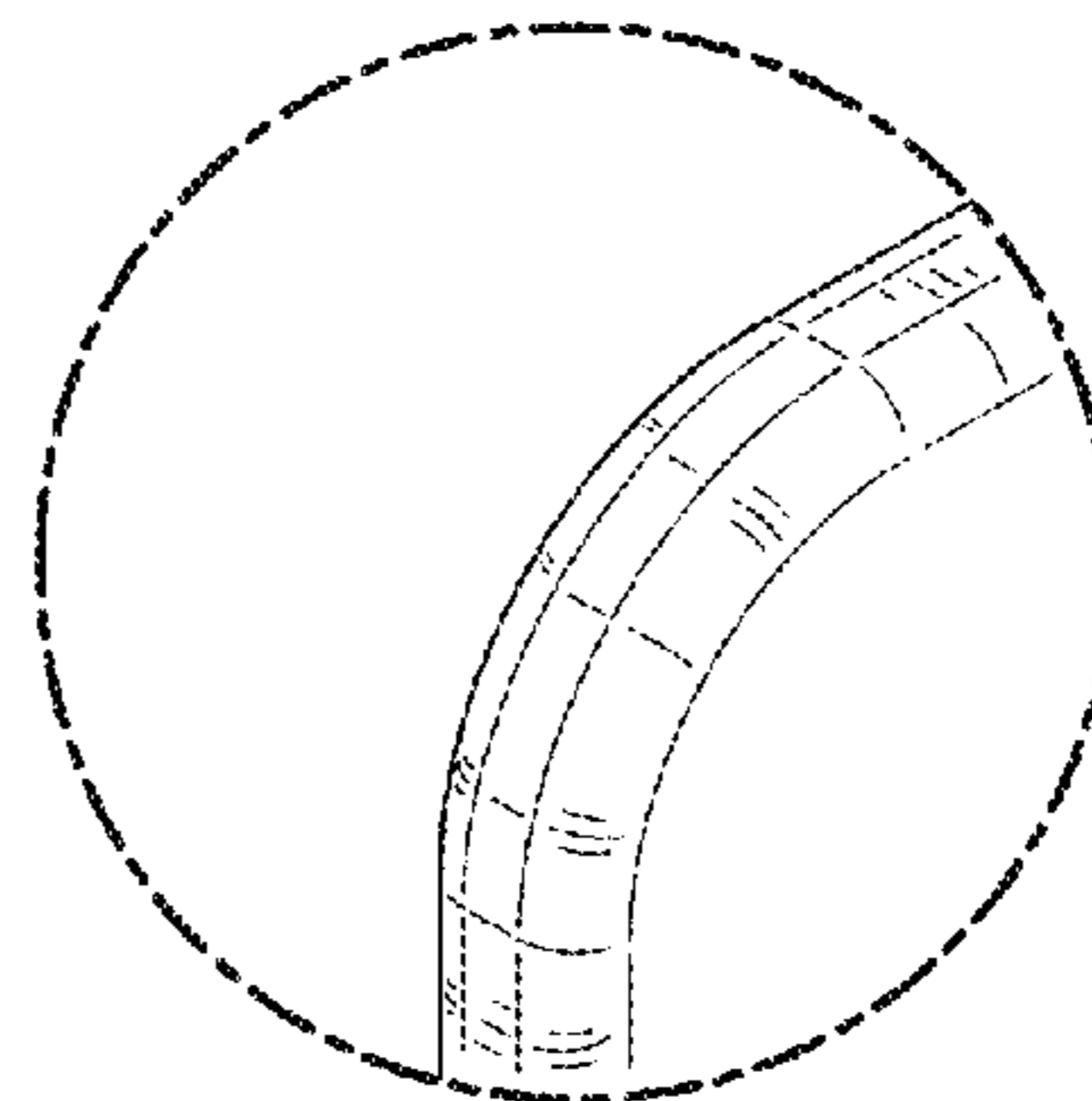
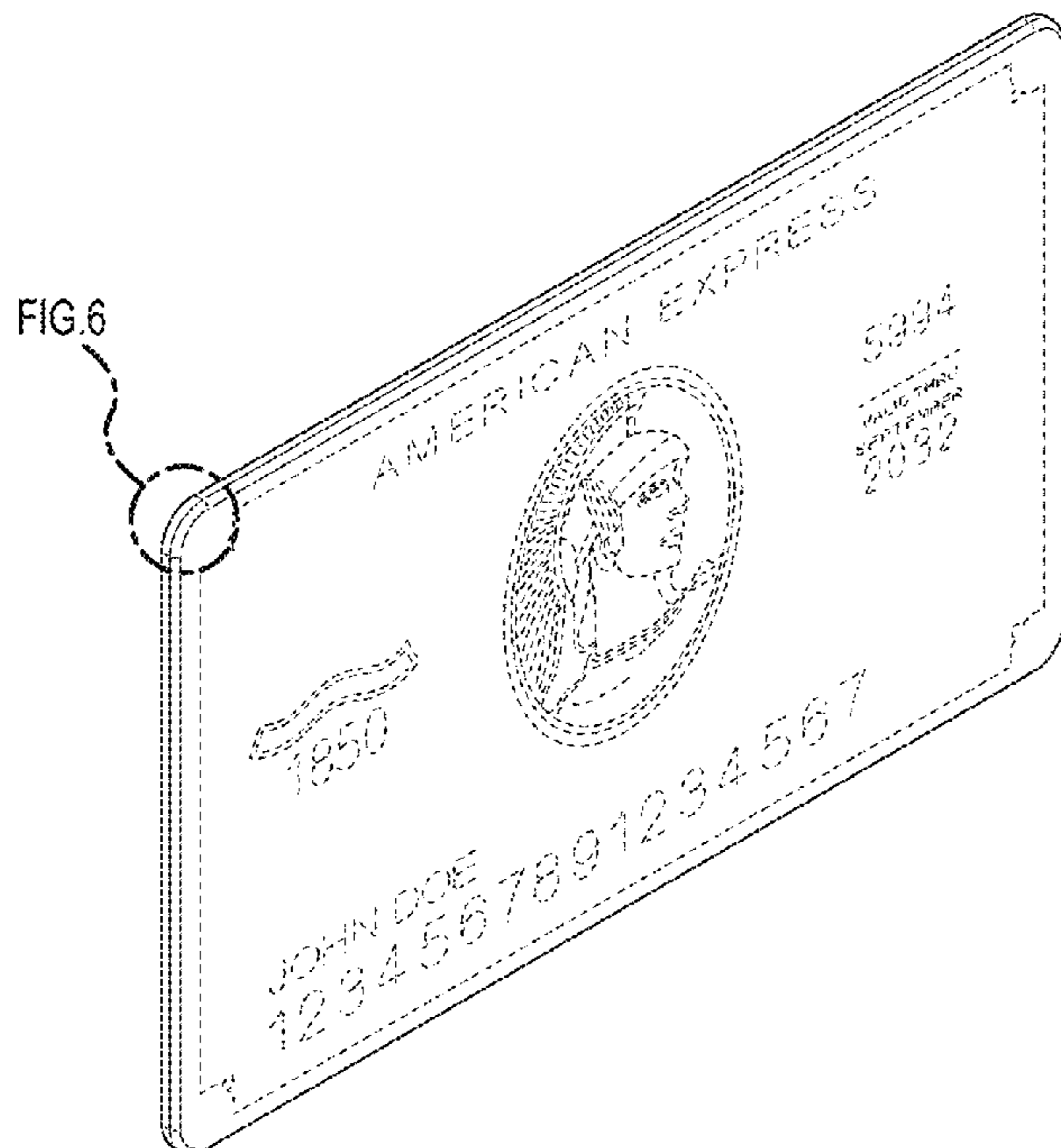
FIG. 4 is a side view thereof;

FIG. 5 is a bottom view thereof;

FIG. 6 is an enlarged view taken from the encircled portion of FIG. 1; and,

FIG. 7 is an enlarged view taken from the encircled portion of FIG. 4.

**1 Claim, 3 Drawing Sheets**



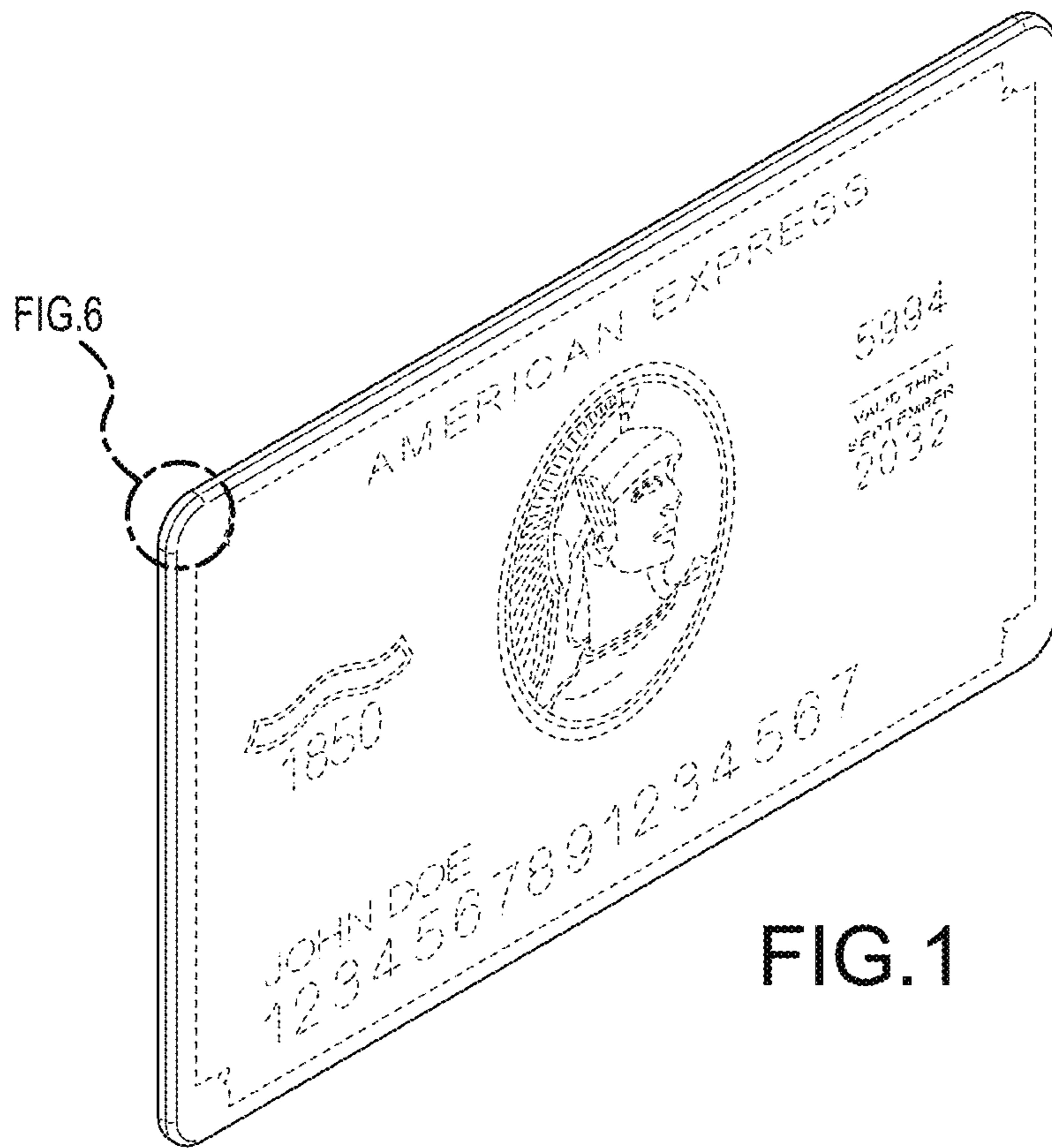


FIG.1

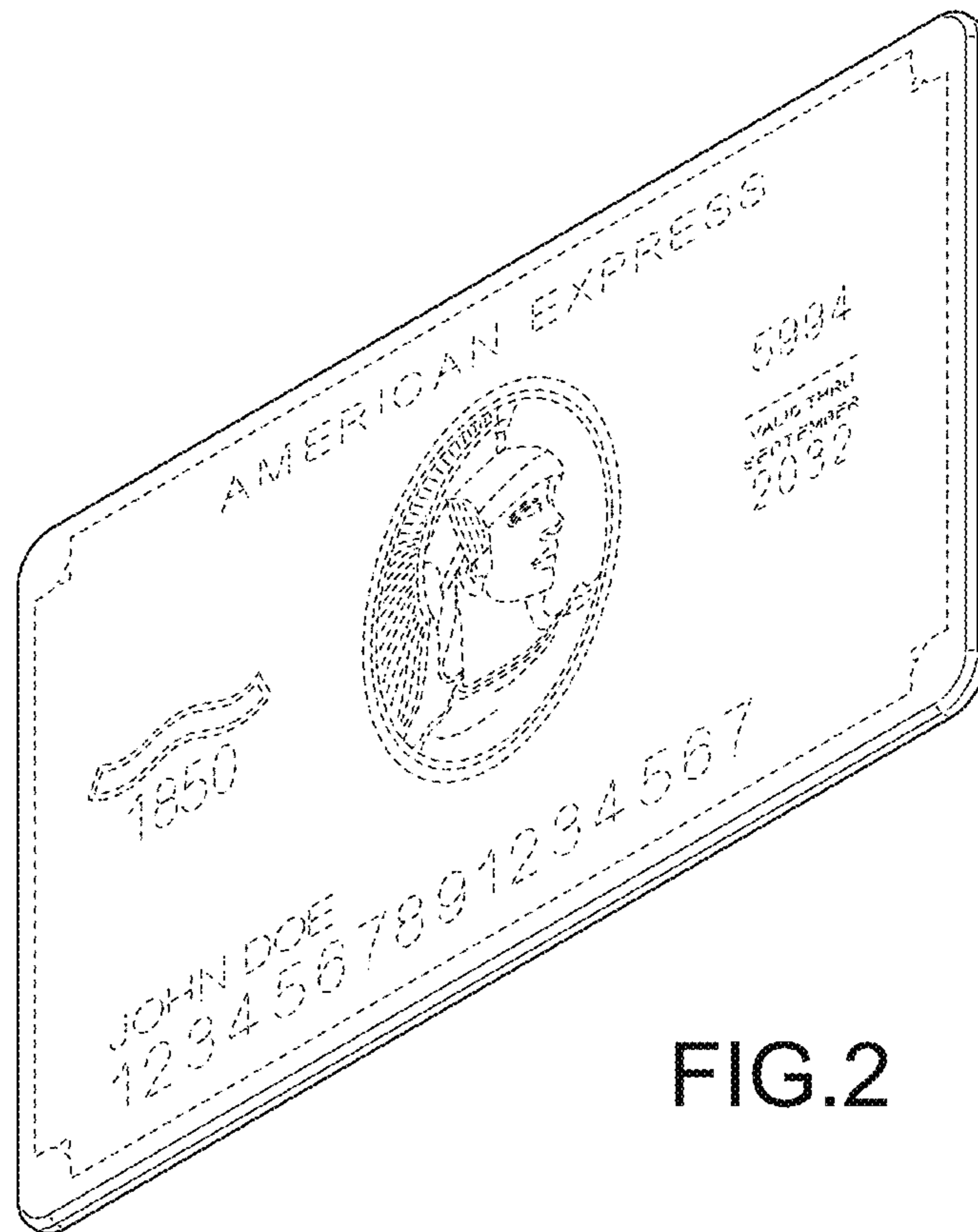


FIG.2

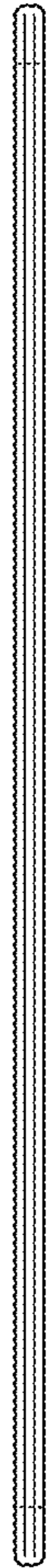


FIG. 5

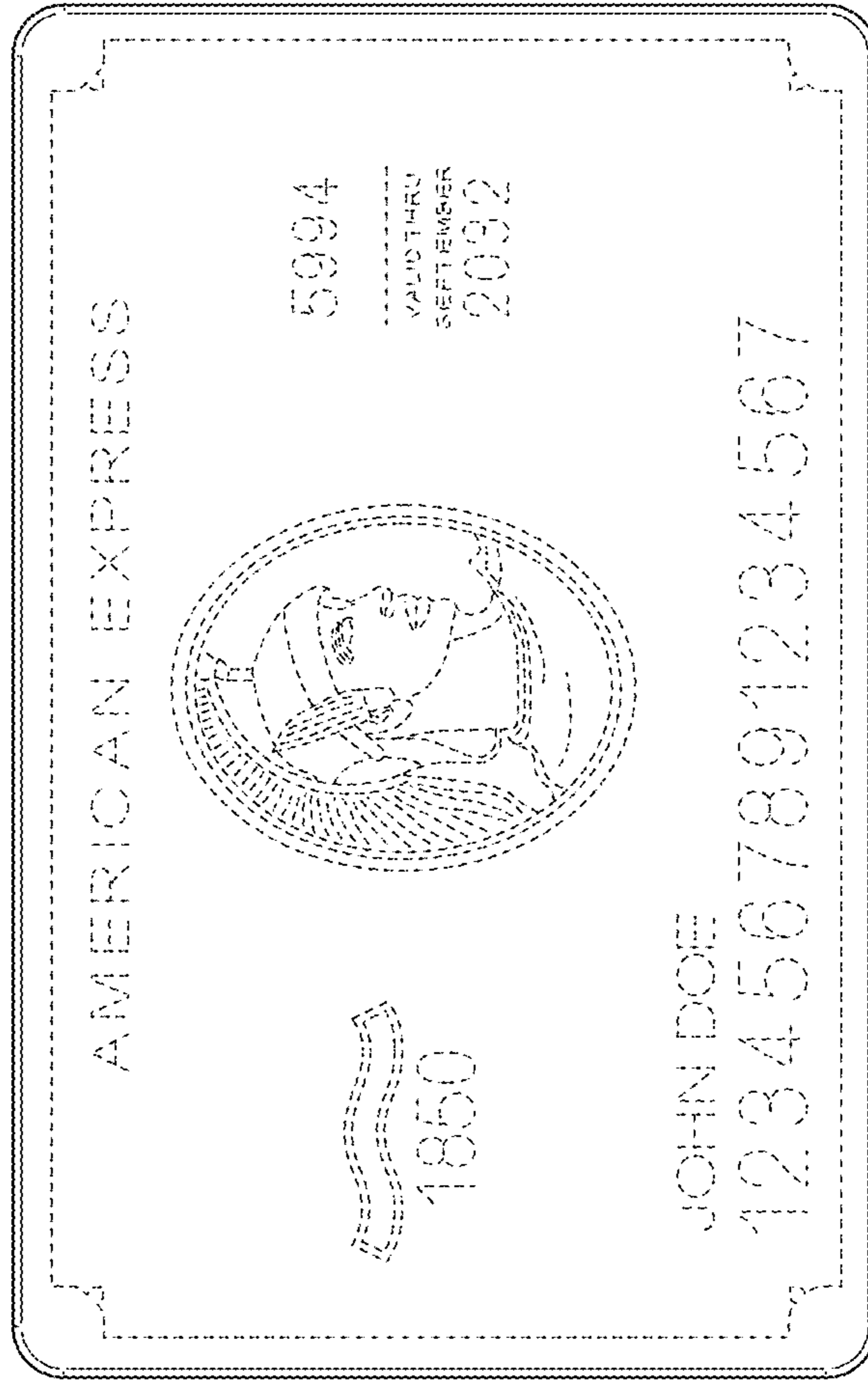


FIG. 3

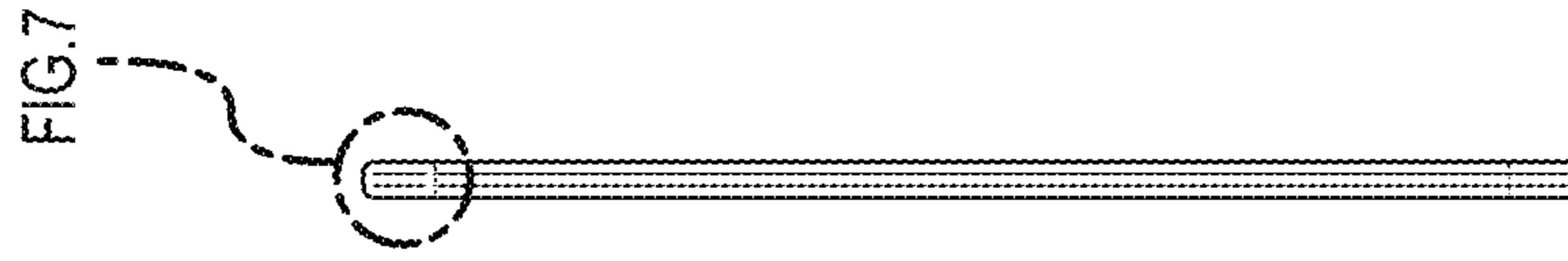


FIG. 4

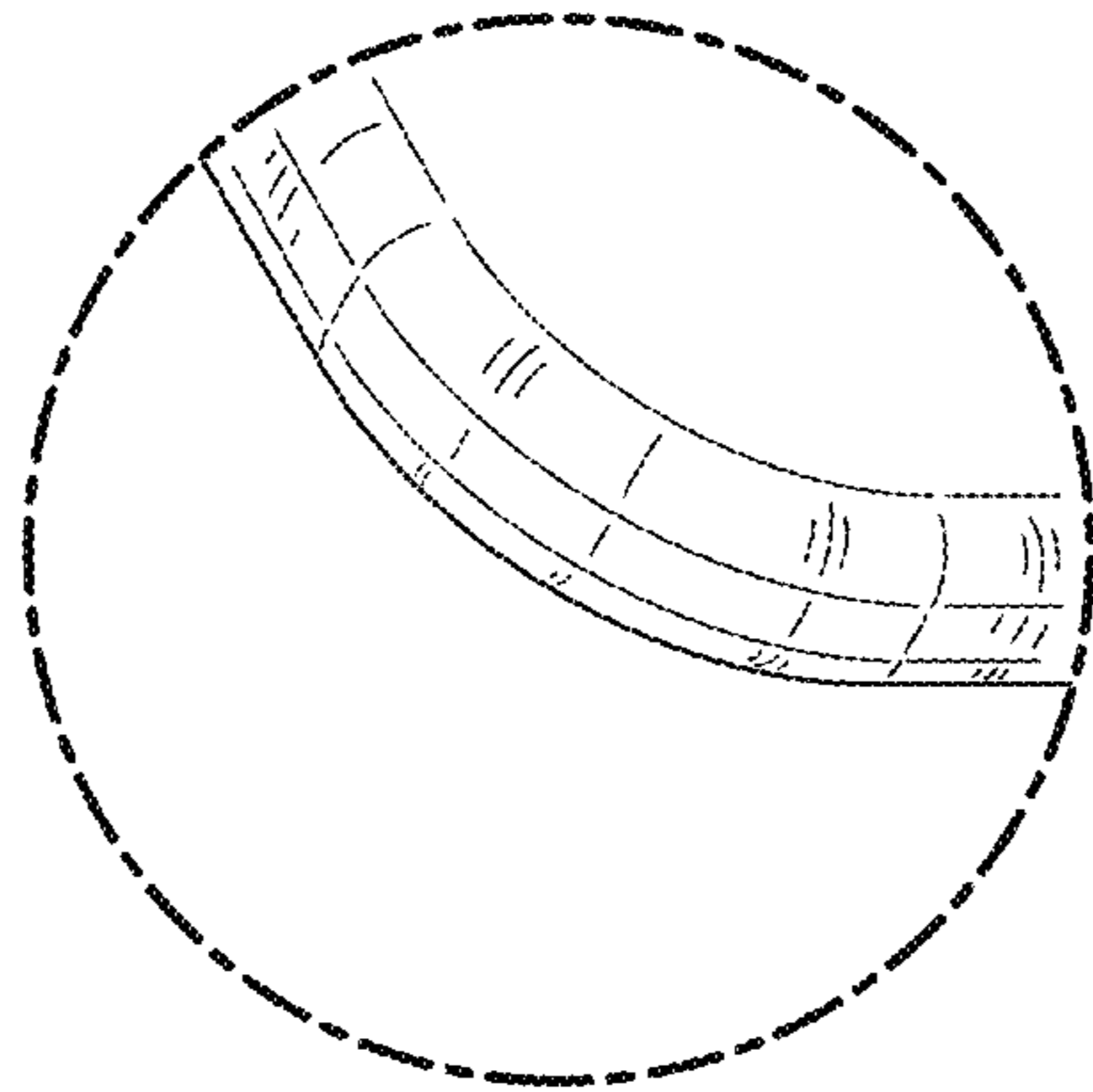


FIG. 6

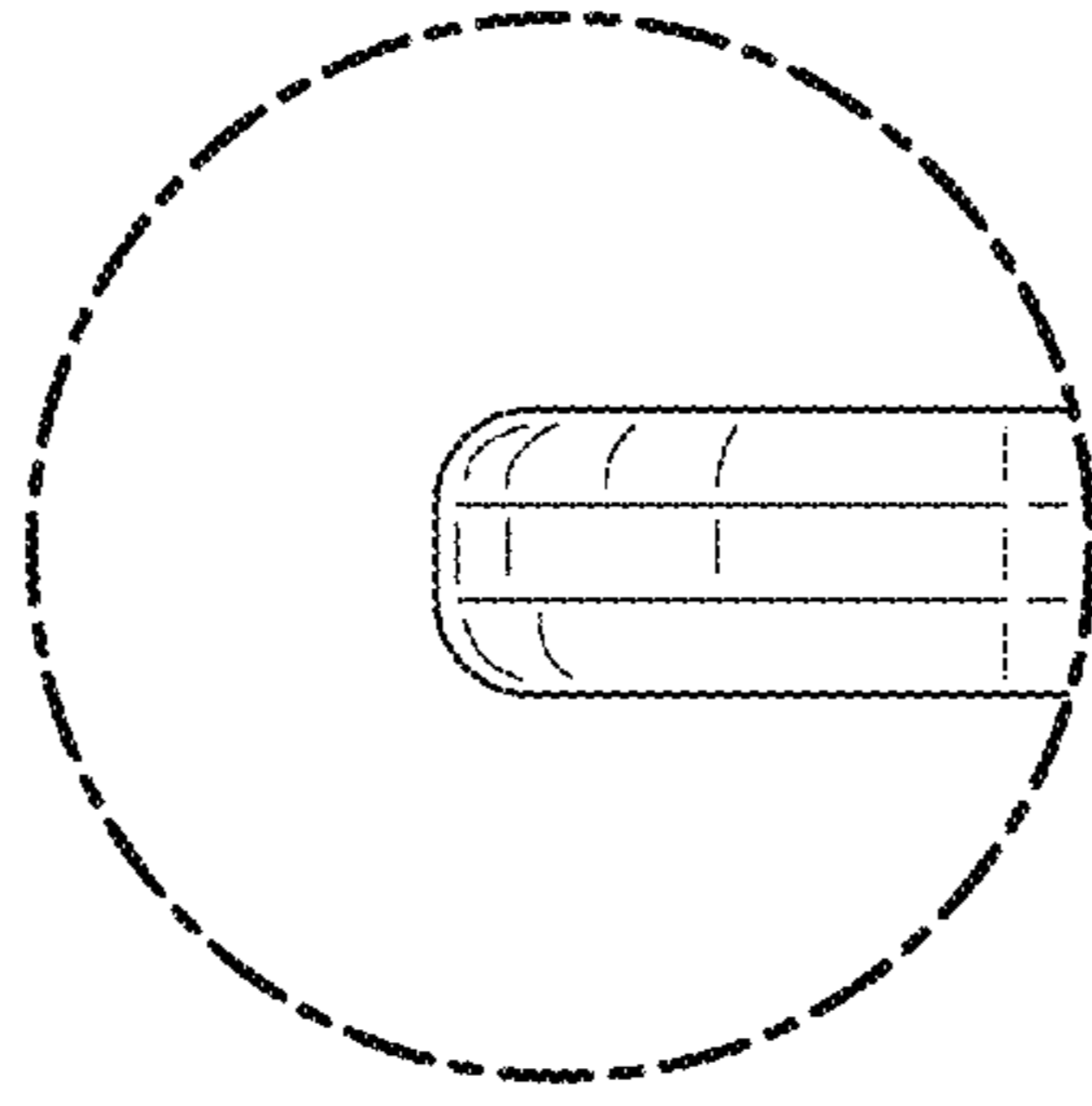


FIG. 7