



US00D812682S

(12) **United States Design Patent**  
**Azegami**

(10) **Patent No.:** **US D812,682 S**

(45) **Date of Patent:** **\*\* Mar. 13, 2018**

- (54) **MOBILE PRINTER**
- (71) Applicant: **SEIKO INSTRUMENTS INC.,**  
Chiba-shi, Chiba (JP)
- (72) Inventor: **Hitoshi Azegami,** Chiba (JP)
- (73) Assignee: **SEIKO INSTRUMENTS INC. (JP)**
- (\*\*) Term: **15 Years**
- (21) Appl. No.: **29/572,192**
- (22) Filed: **Jul. 26, 2016**
- (30) **Foreign Application Priority Data**  
Jan. 28, 2016 (JP) ..... 2016-001703
- (51) **LOC (11) Cl.** ..... **18-02**
- (52) **U.S. Cl.**  
USPC ..... **D18/50; D18/14**
- (58) **Field of Classification Search**  
USPC ..... D18/6, 14, 19, 50, 54, 54.1;  
D14/420-425  
CPC ..... B41J 3/36  
See application file for complete search history.

- (56) **References Cited**  
**U.S. PATENT DOCUMENTS**  
D386,515 S \* 11/1997 Somerville ..... D18/50  
D522,571 S \* 6/2006 Senda ..... D18/54  
D549,768 S \* 8/2007 Panebianco ..... D18/14  
D628,620 S \* 12/2010 Beck ..... D18/50  
D654,949 S \* 2/2012 Preliasco ..... D18/14  
D685,415 S \* 7/2013 Kinoshita ..... D18/54  
D692,051 S \* 10/2013 Yong ..... D18/50  
D713,871 S \* 9/2014 Preliasco ..... D18/14  
D730,978 S \* 6/2015 Kinoshita ..... D18/50

- D750,703 S \* 3/2016 Beck ..... D18/14
- D751,636 S \* 3/2016 Kinoshita ..... D18/19
- D765,773 S \* 9/2016 Ozawa ..... D18/14
- D777,249 S \* 1/2017 Tanaka ..... D18/19
- D786,963 S \* 5/2017 Mycroft ..... D18/50
- D790,006 S \* 6/2017 Yoshida ..... D18/14
- D798,379 S \* 9/2017 Beck ..... D18/14
- 2008/0069623 A1 \* 3/2008 Kobayashi ..... B26D 1/085  
400/621.1
- 2017/0282613 A1 \* 10/2017 Tsuchimoto ..... B41J 3/36
- 2017/0291438 A1 \* 10/2017 Hirose ..... B41J 29/02

\* cited by examiner

*Primary Examiner* — Robin V Webster  
*Assistant Examiner* — James C Thorn, Sr.  
 (74) *Attorney, Agent, or Firm* — Klintworth & Rozenblat  
 IP LLP; Bruce L. Adams

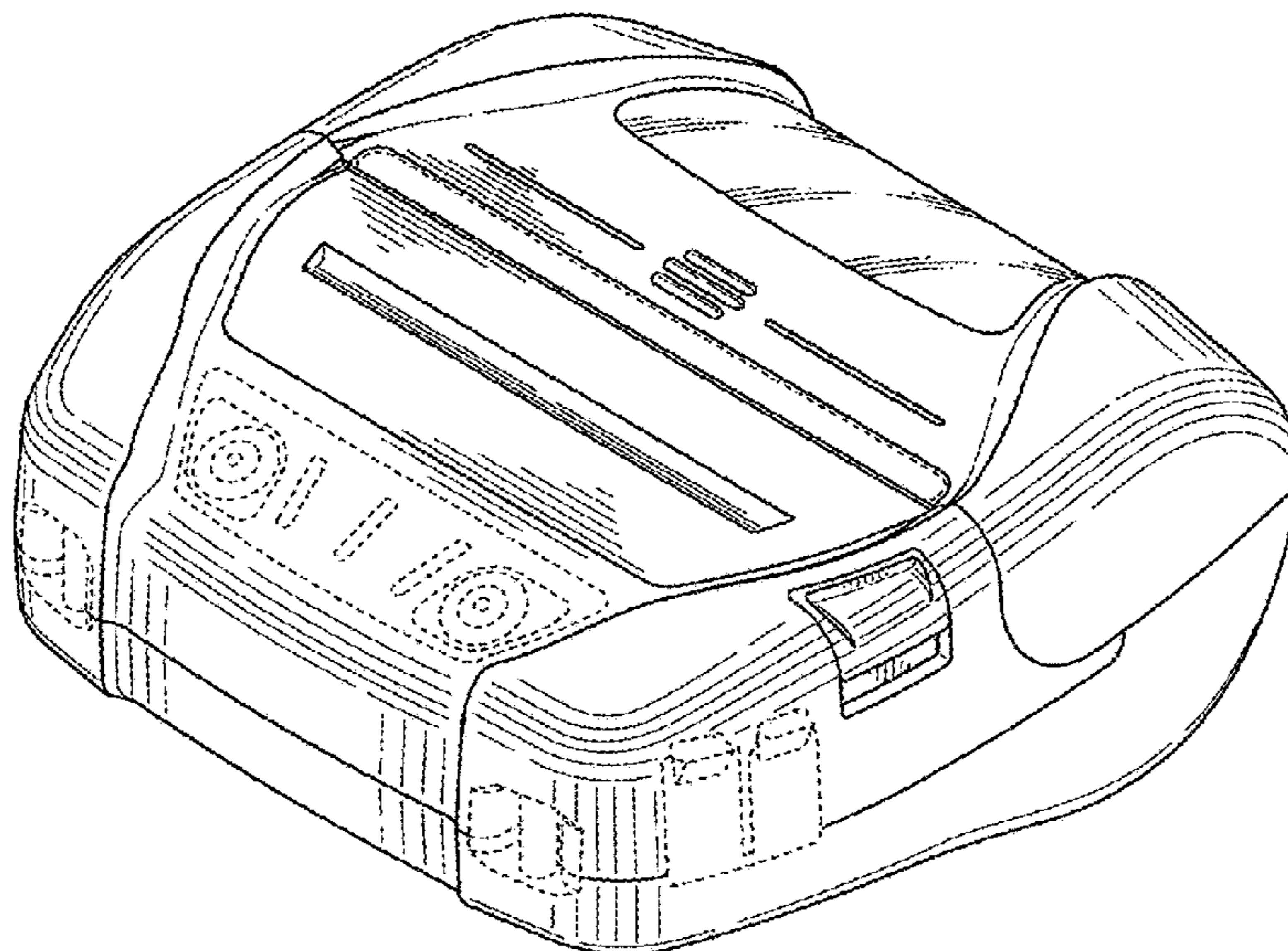
(57) **CLAIM**

The ornamental design for a mobile printer, as shown and described.

**DESCRIPTION**

FIG. 1 is a top front perspective view of a mobile printer showing my new design;  
 FIG. 2 is a top rear perspective view thereof;  
 FIG. 3 is a bottom front perspective view thereof;  
 FIG. 4 is a front view thereof;  
 FIG. 5 is a rear view thereof;  
 FIG. 6 is a left side view thereof;  
 FIG. 7 is a right side view thereof;  
 FIG. 8 is a top view thereof; and,  
 FIG. 9 is a bottom view thereof.  
 The broken lines shown in the drawings are included for the purpose of illustrating environmental structure and form no part of the claimed design.

**1 Claim, 5 Drawing Sheets**



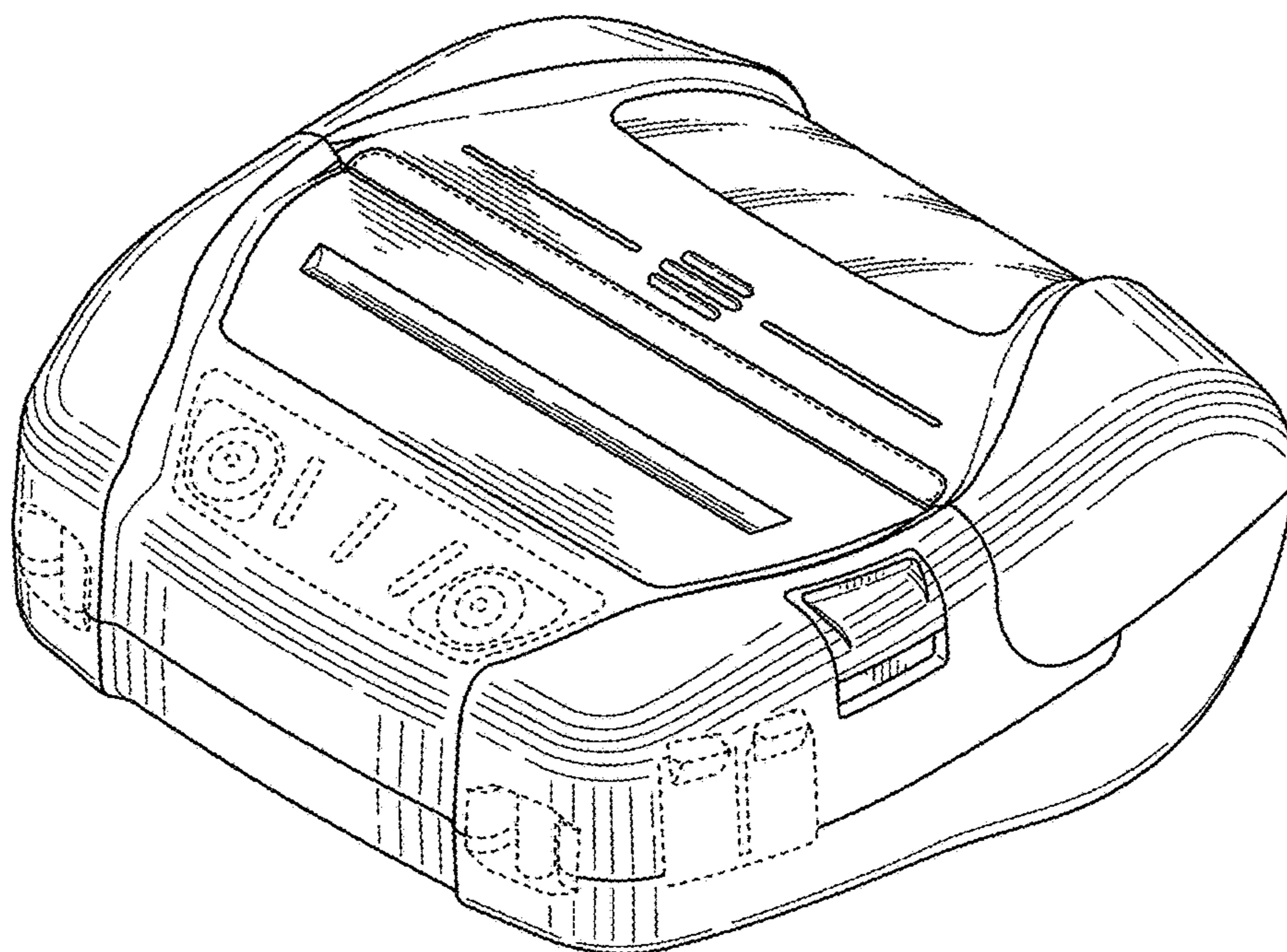


FIG. 1

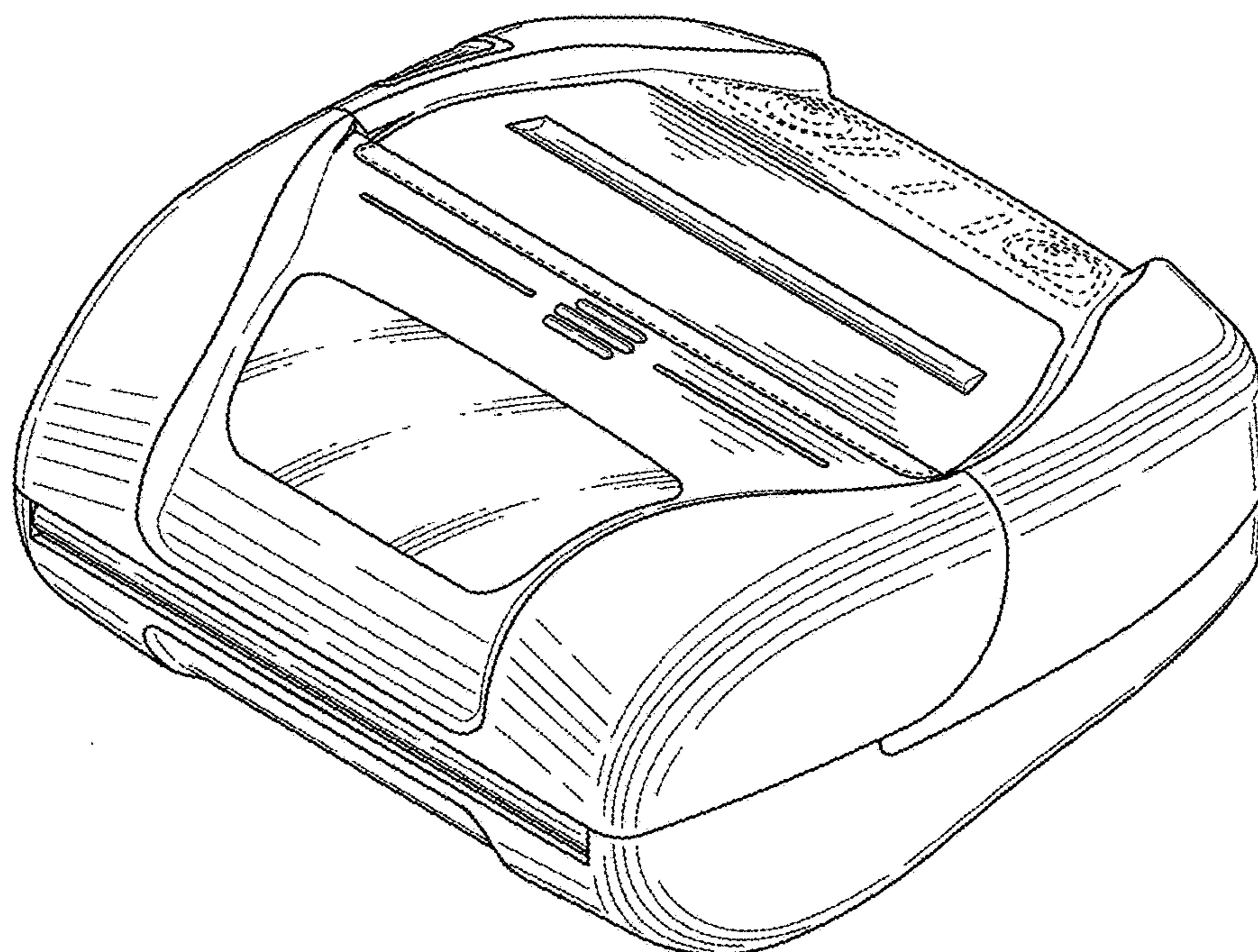


FIG. 2

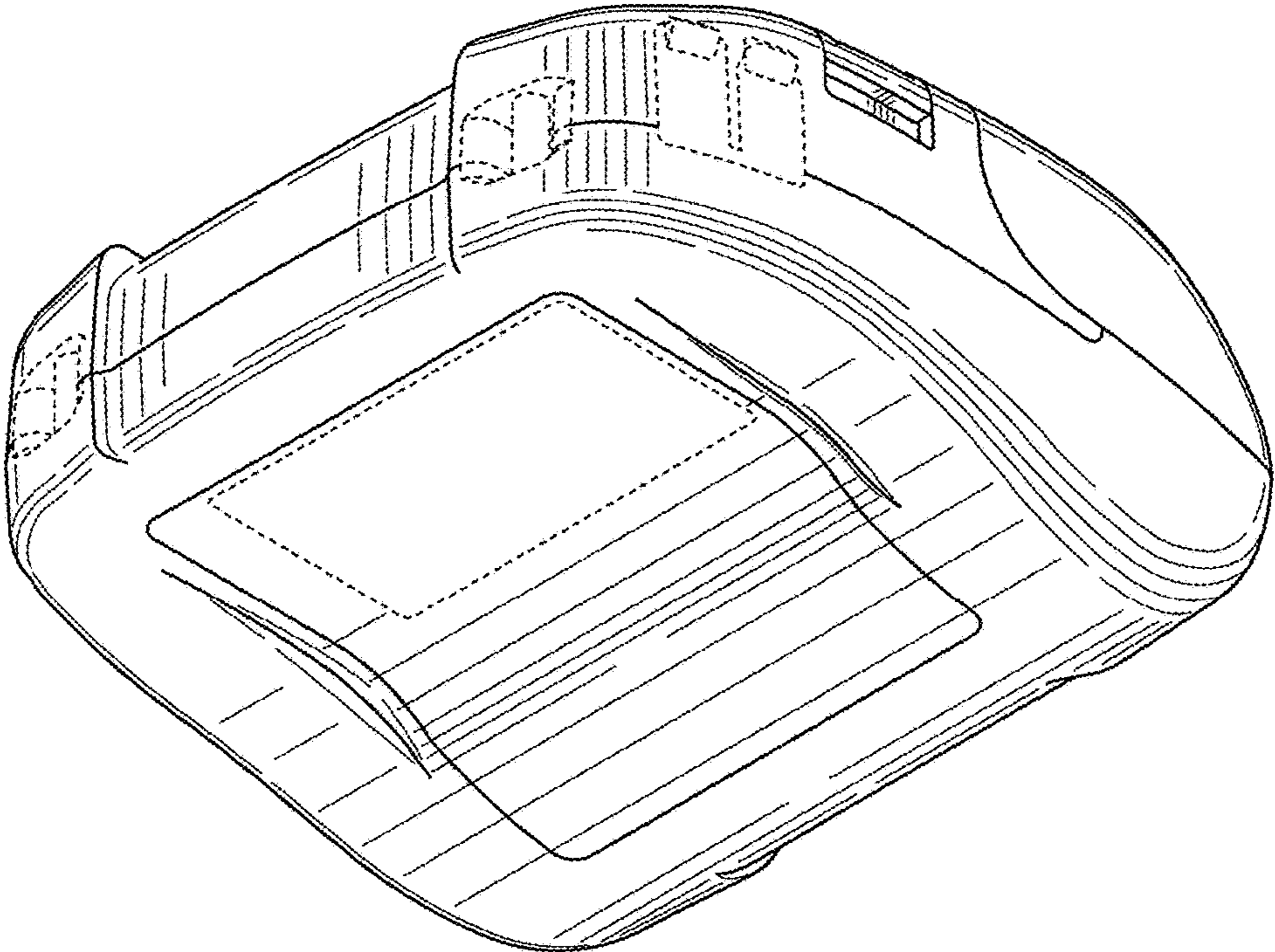
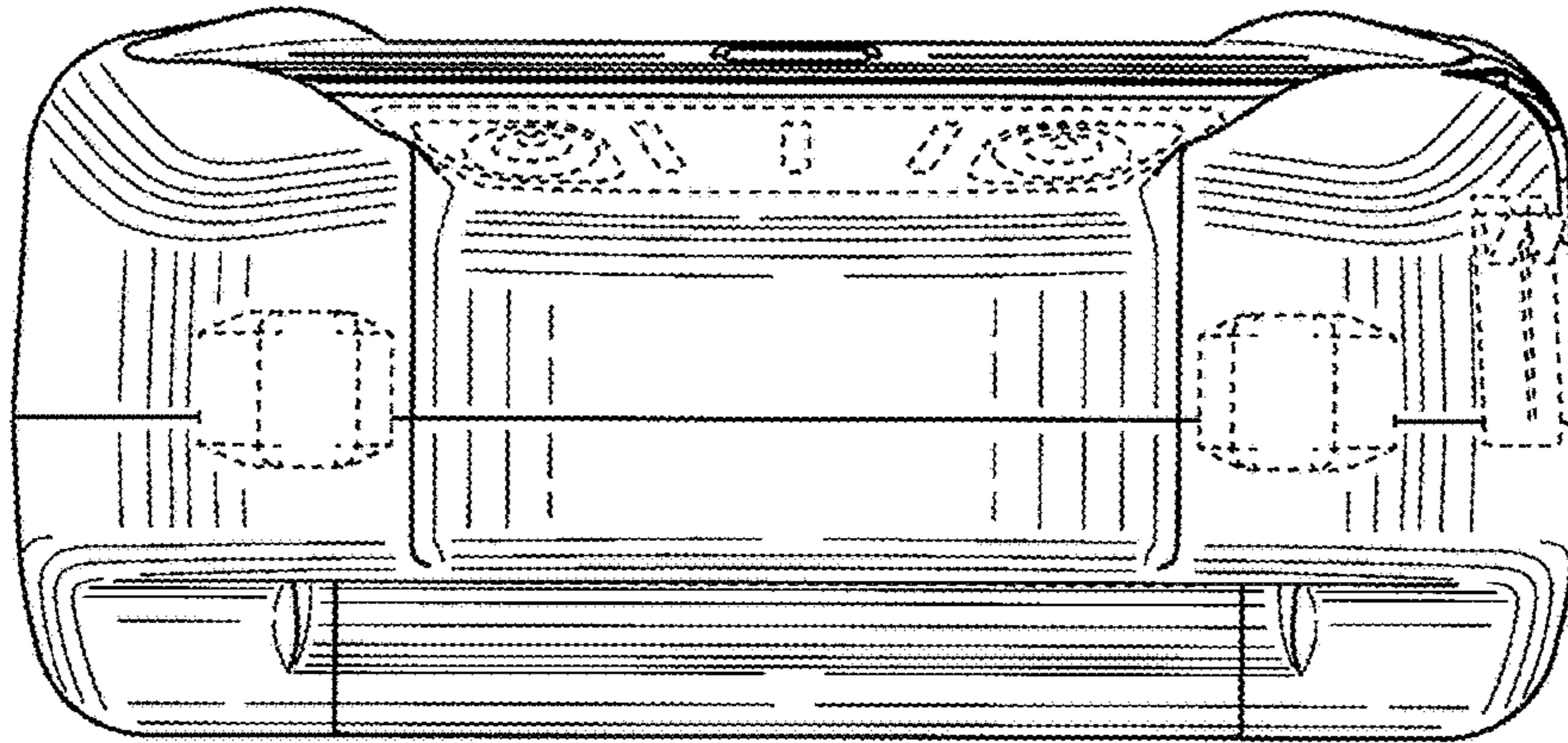
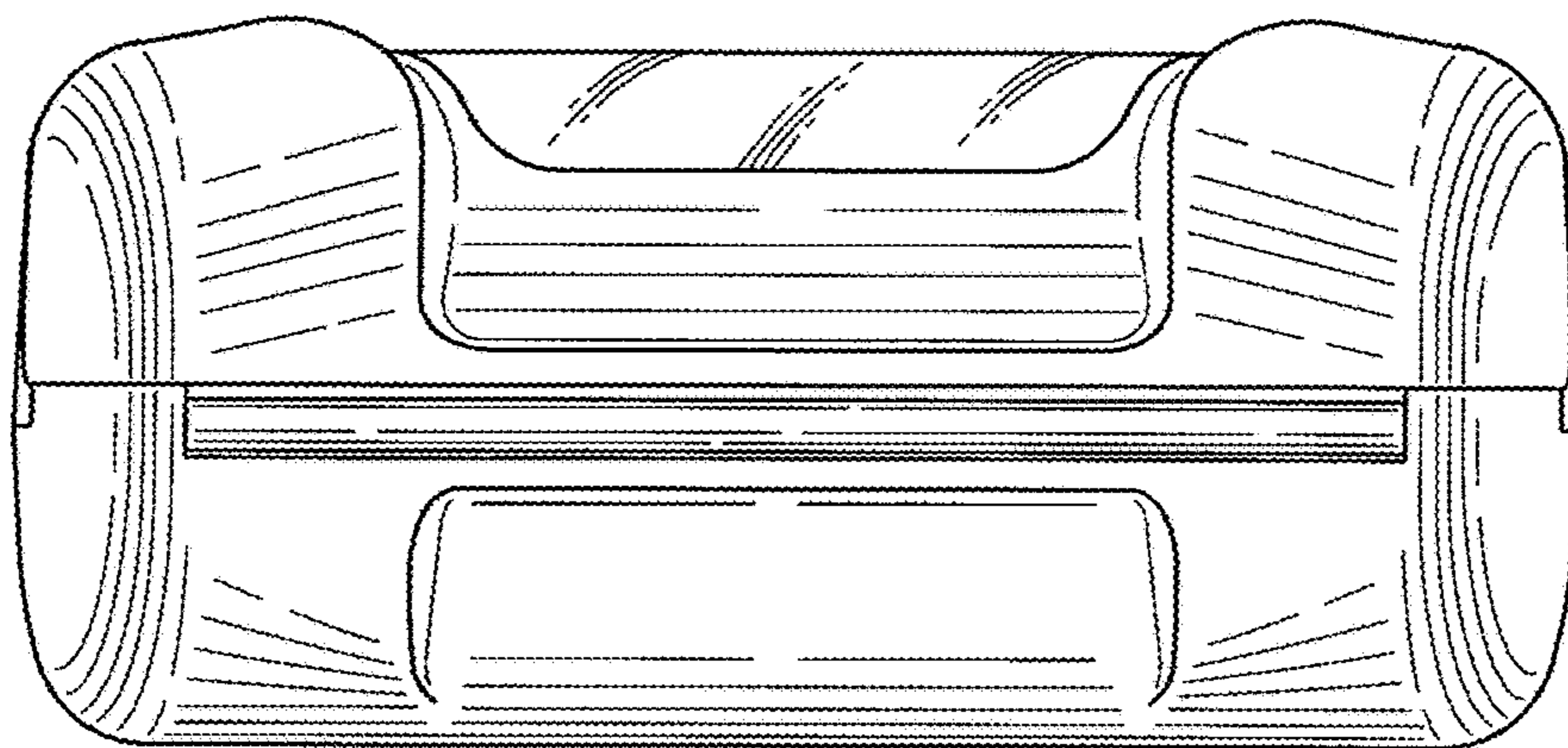


FIG. 3



*FIG. 4*



*FIG. 5*

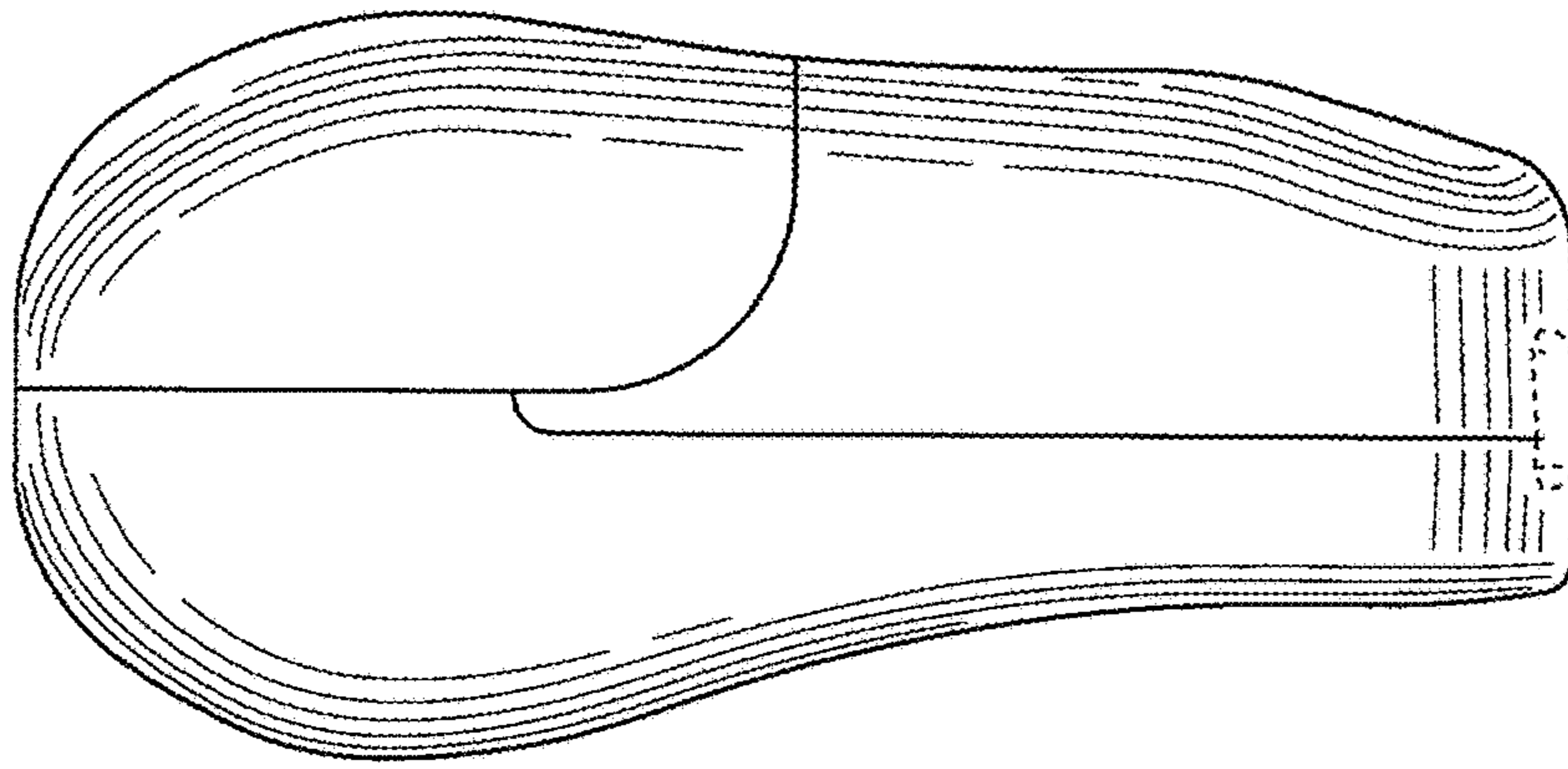


FIG. 6

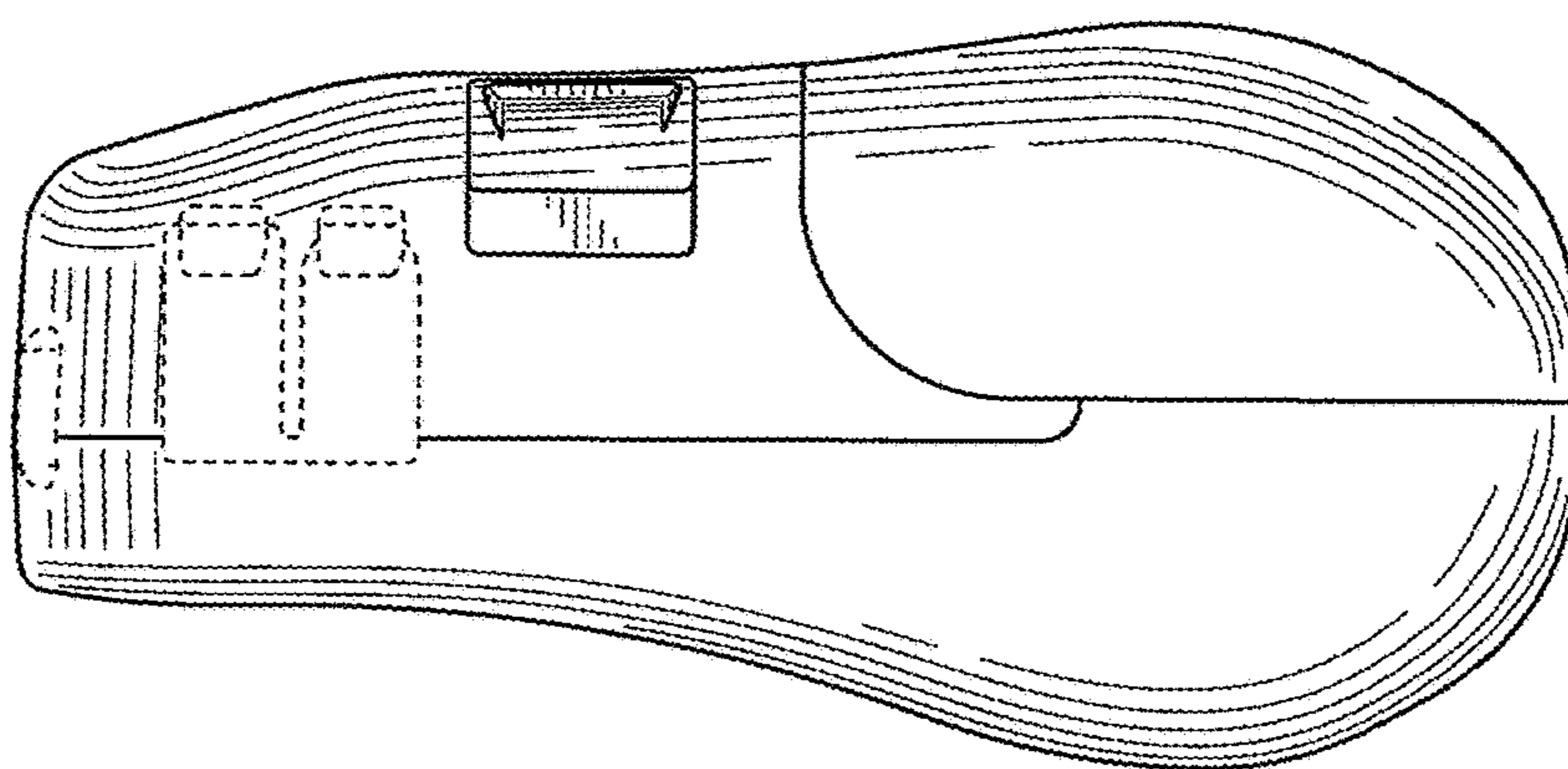


FIG. 7

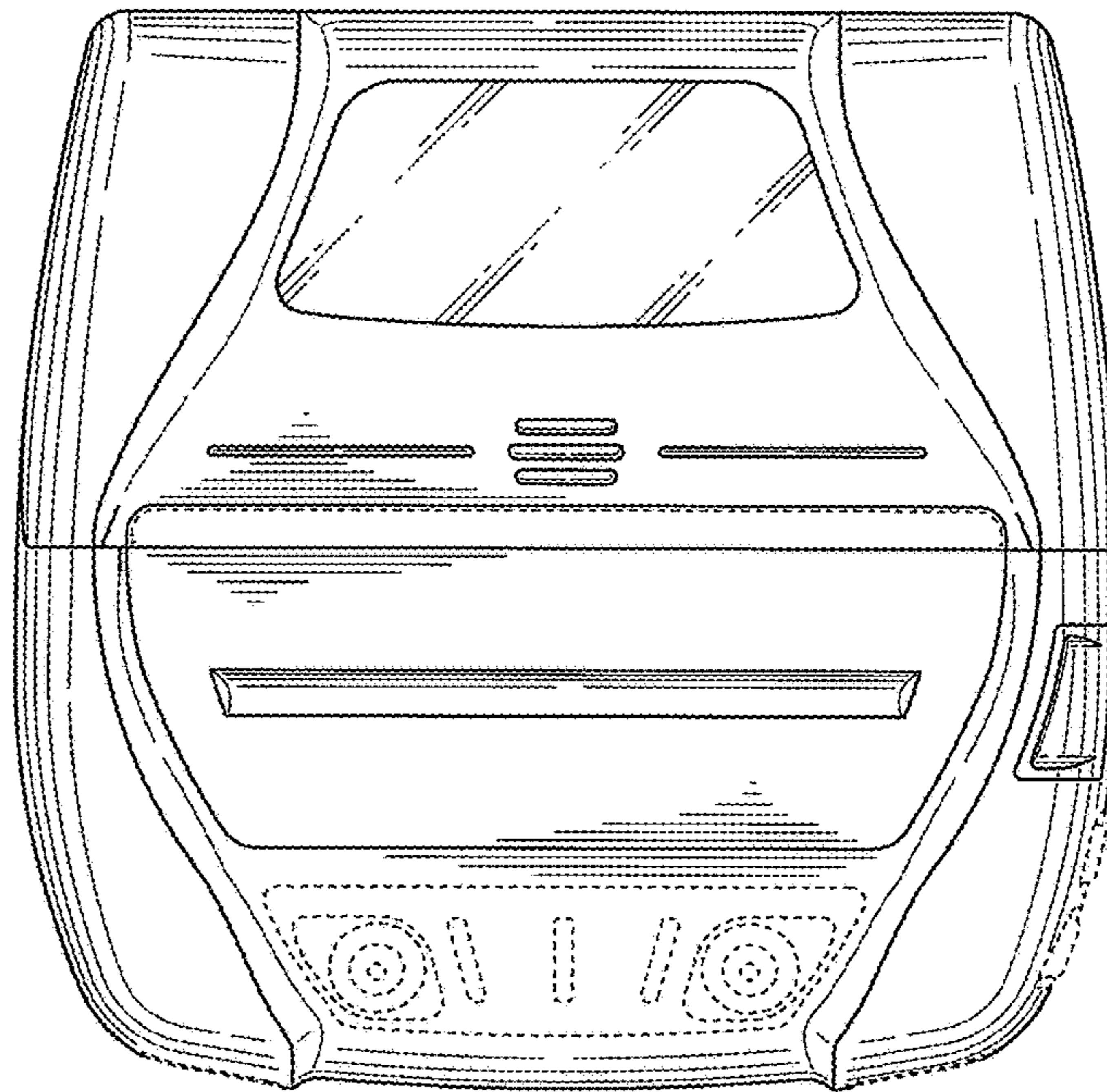


FIG. 8

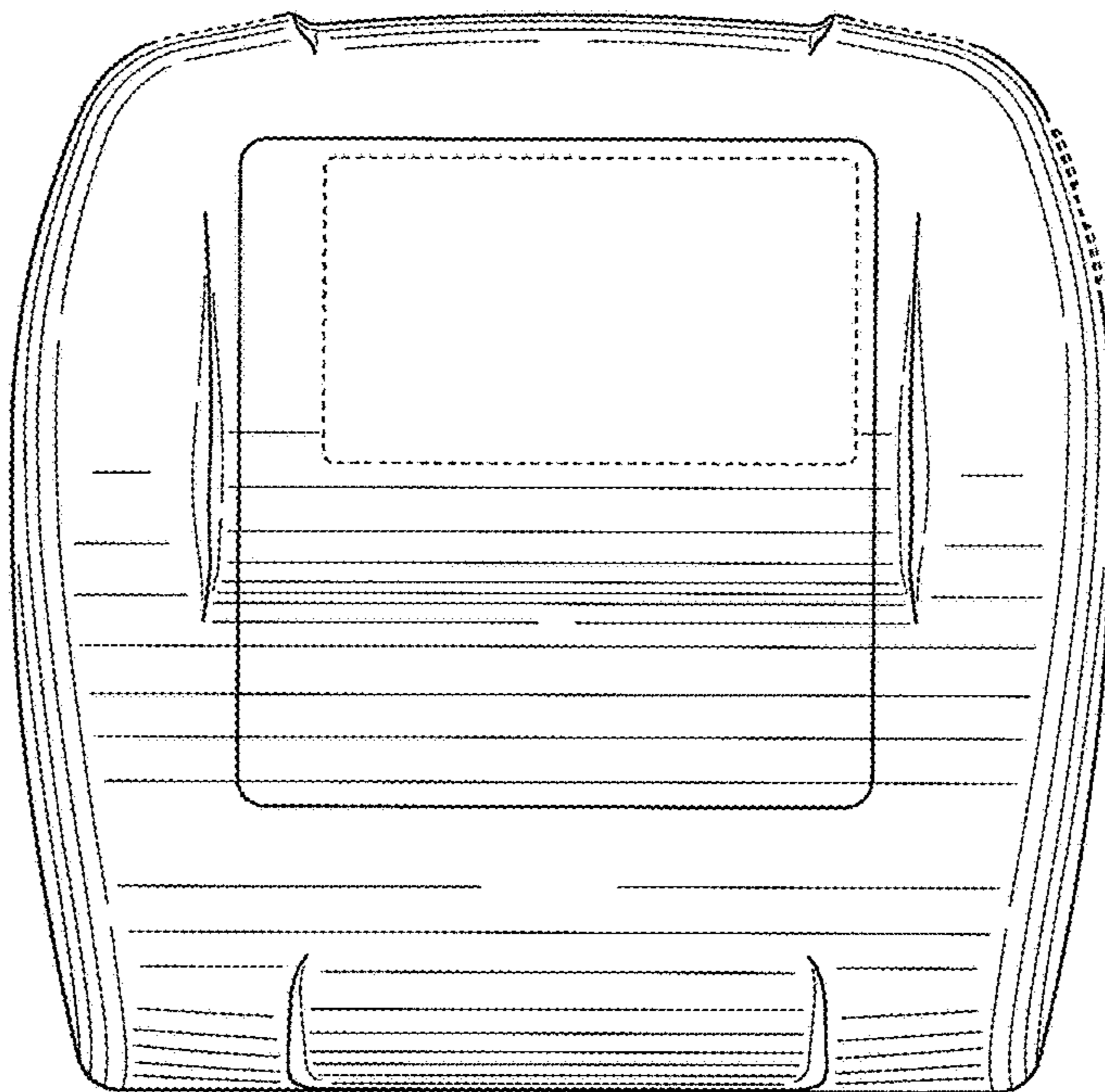


FIG. 9