



US00D812681S

(12) **United States Design Patent**
Terakado et al.

(10) **Patent No.:** **US D812,681 S**
(45) **Date of Patent:** **** Mar. 13, 2018**

(54) **TONER CARTRIDGE**

(71) Applicant: **FUJI XEROX CO., LTD.**, Tokyo (JP)

(72) Inventors: **Yuki Terakado**, Yokohama (JP);
Tadashi Kureyama, Yokohama (JP);
Hiroki Shiba, Yokohama (JP); **Takuji**
Matsumoto, Yokohama (JP)

(73) Assignee: **FUJI XEROX CO., LTD.**, Tokyo (JP)

(**) Term: **15 Years**

(21) Appl. No.: **29/587,138**

(22) Filed: **Dec. 9, 2016**

(51) **LOC (11) Cl.** **16-03**

(52) **U.S. Cl.**
USPC **D18/43**

(58) **Field of Classification Search**
USPC D14/471, 483, 484; D18/12, 18, 36, 40,
D18/43, 44, 56, 58, 99
CPC . B41J 2/17; B41J 2/1721; B41J 2/1572; B41J
2/1754; B41J 2/17503; B41J 2/17553;
B41J 2/17556; B41J 2/16547
See application file for complete search history.

(56) **References Cited**

U.S. PATENT DOCUMENTS

D321,716 S * 11/1991 Kikuchi D18/43
D398,634 S * 9/1998 Katayama D18/43
D399,870 S * 10/1998 Okada D18/43
D408,845 S * 4/1999 Harumoto D18/43

D431,260 S * 9/2000 Kohno D18/43
6,490,422 B2 * 12/2002 Harumoto G03G 15/0865
399/12
D469,119 S * 1/2003 Shiba D18/43
D546,874 S * 7/2007 Hakukawa D18/43
D636,017 S * 4/2011 Takiguchi D18/43
D674,005 S * 1/2013 Teramura D18/43
D712,462 S * 9/2014 Koshimori D18/43
D715,355 S * 10/2014 Otsubo D18/43
2010/0008698 A1 * 1/2010 Ichikawa G03G 15/0886
399/119

* cited by examiner

Primary Examiner — Garth Rademaker

Assistant Examiner — Richard Kearney

(74) *Attorney, Agent, or Firm* — Sughrue Mion, PLLC

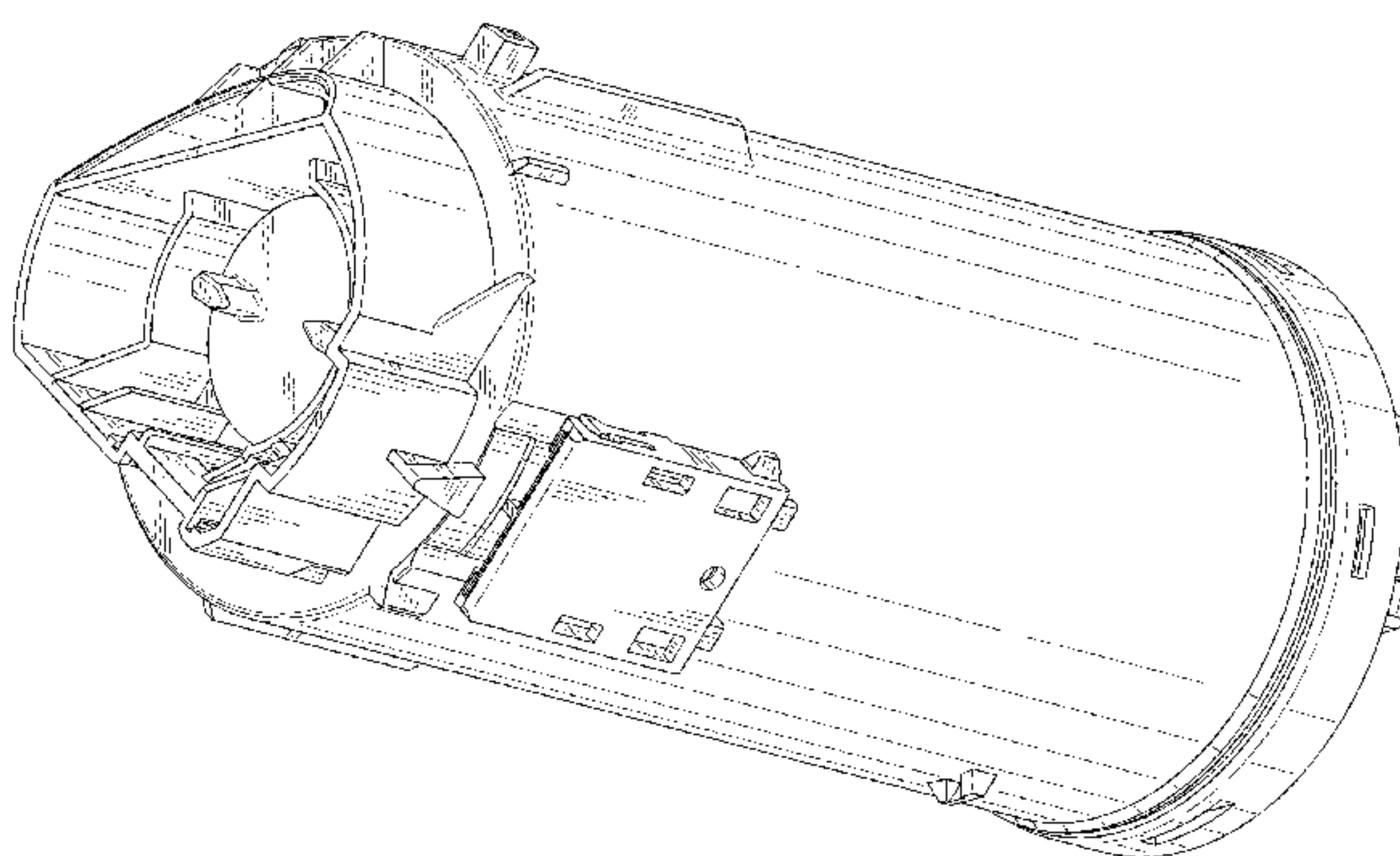
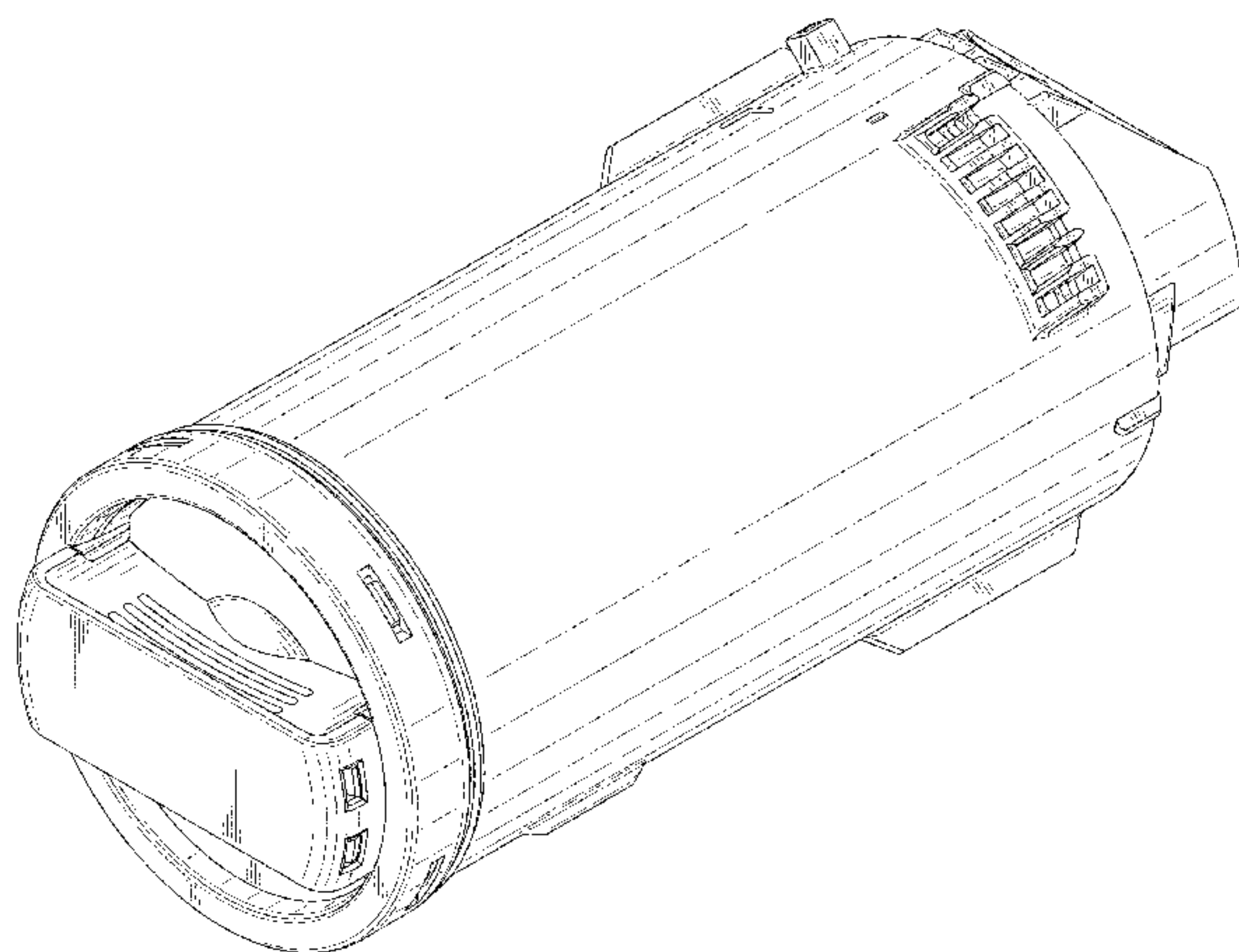
(57) **CLAIM**

The ornamental design for a toner cartridge, as shown and described.

DESCRIPTION

FIG. 1 is a front, left, top perspective view of a toner cartridge showing our new design;
FIG. 2 is a rear, right, bottom perspective view thereof;
FIG. 3 is a front view thereof;
FIG. 4 is a rear side view thereof;
FIG. 5 is a left side view thereof;
FIG. 6 is a right side view thereof;
FIG. 7 is a top plan view thereof; and,
FIG. 8 is a bottom plan view thereof.
The broken lines in the Figures show portions of the toner cartridge which form no part of the claim.

1 Claim, 7 Drawing Sheets



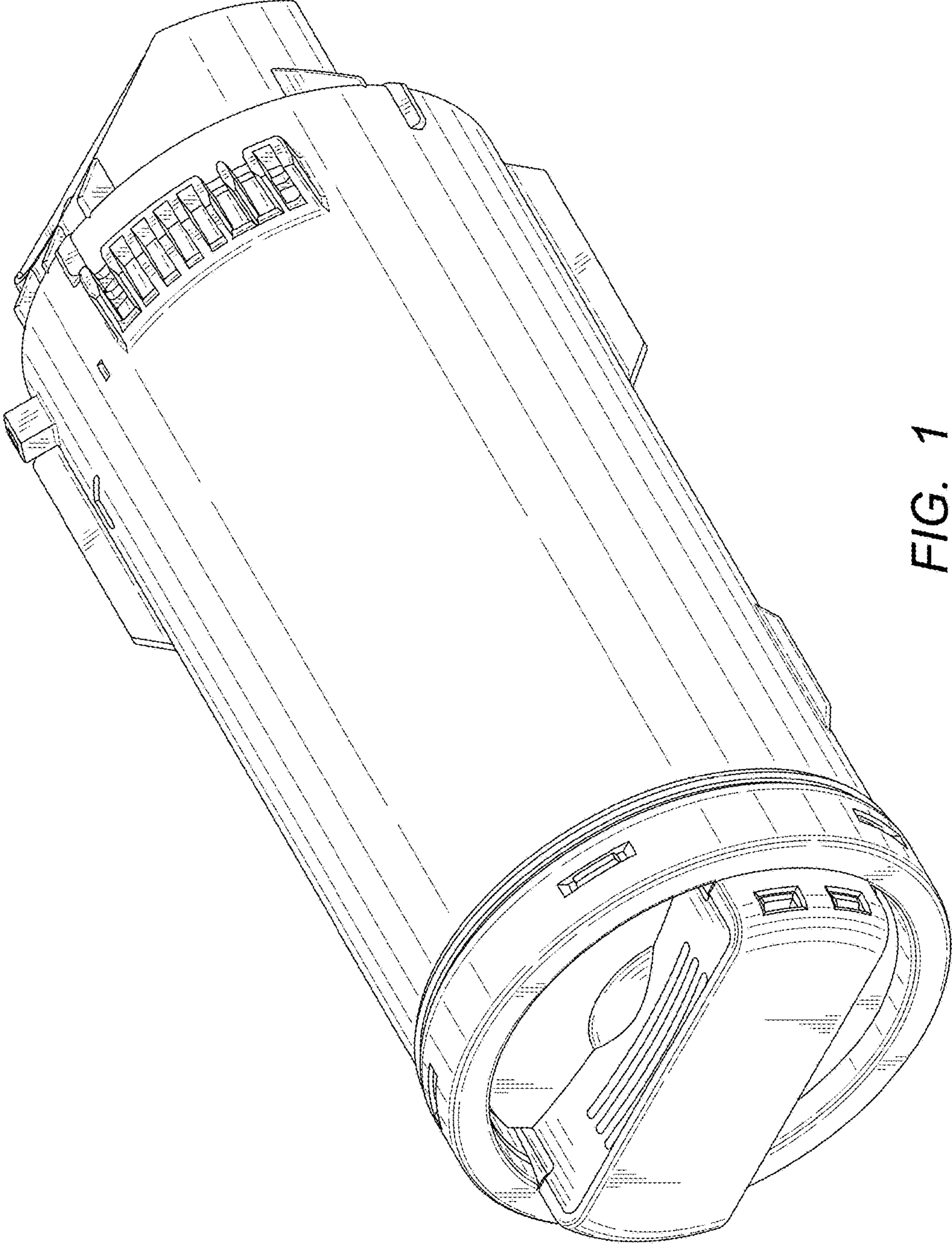


FIG. 1

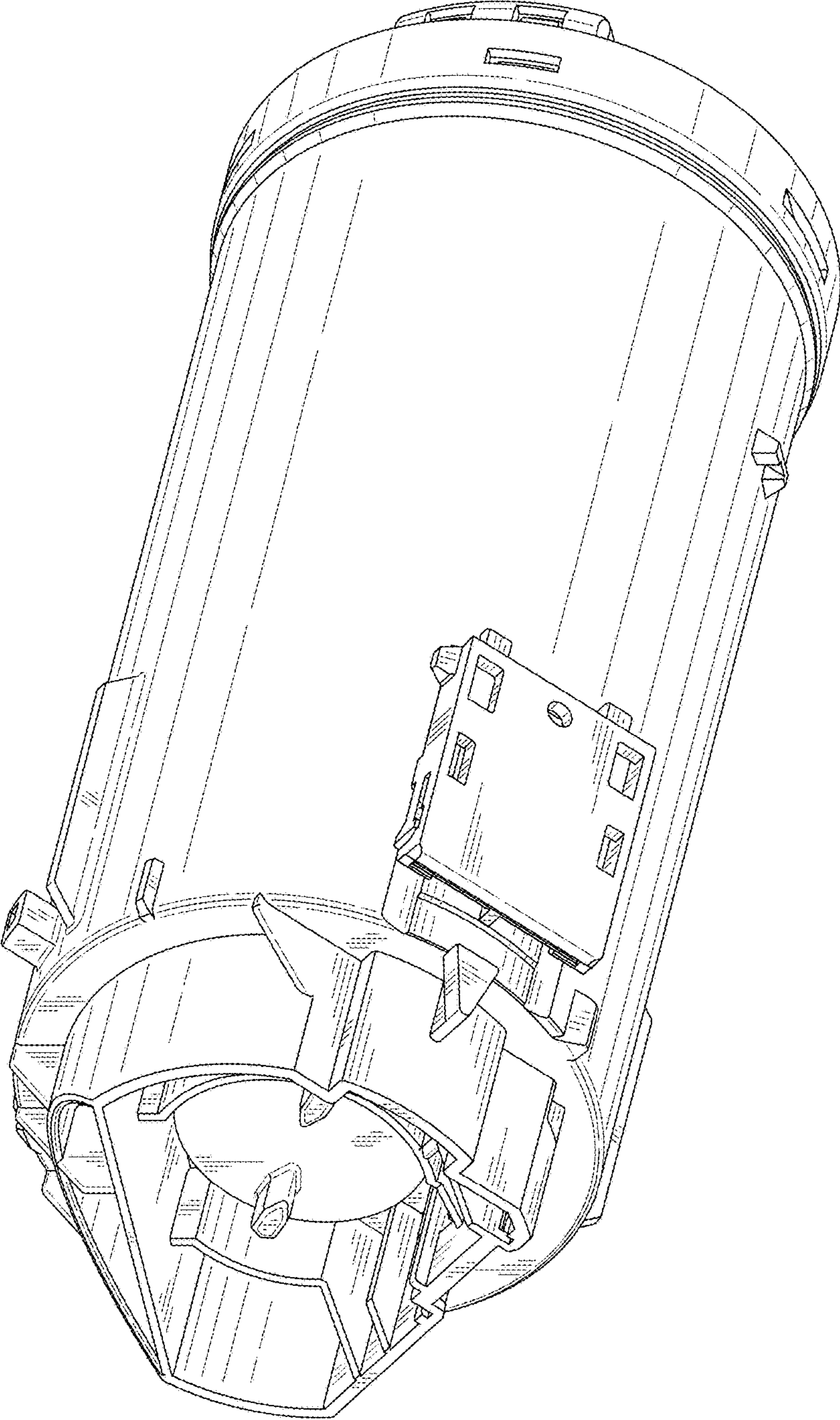


FIG. 2

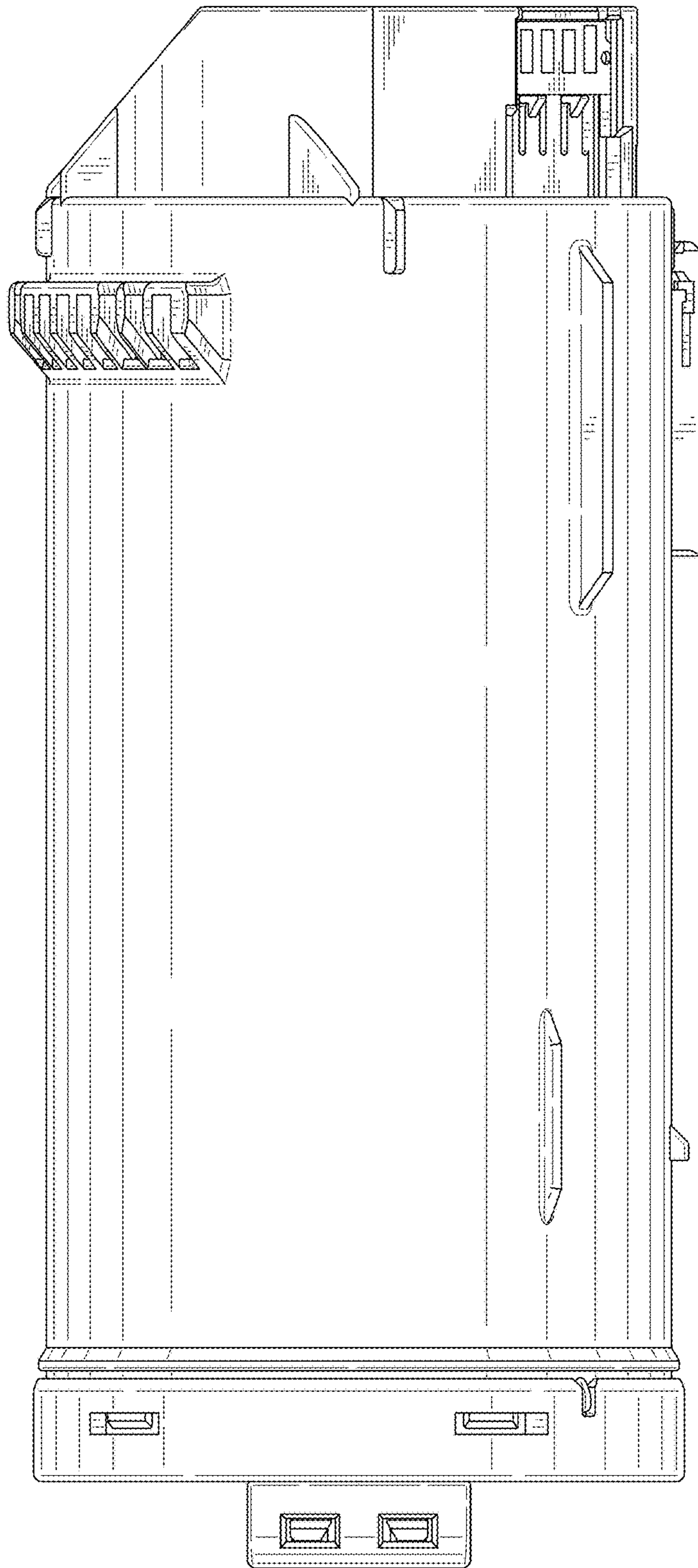


FIG. 3

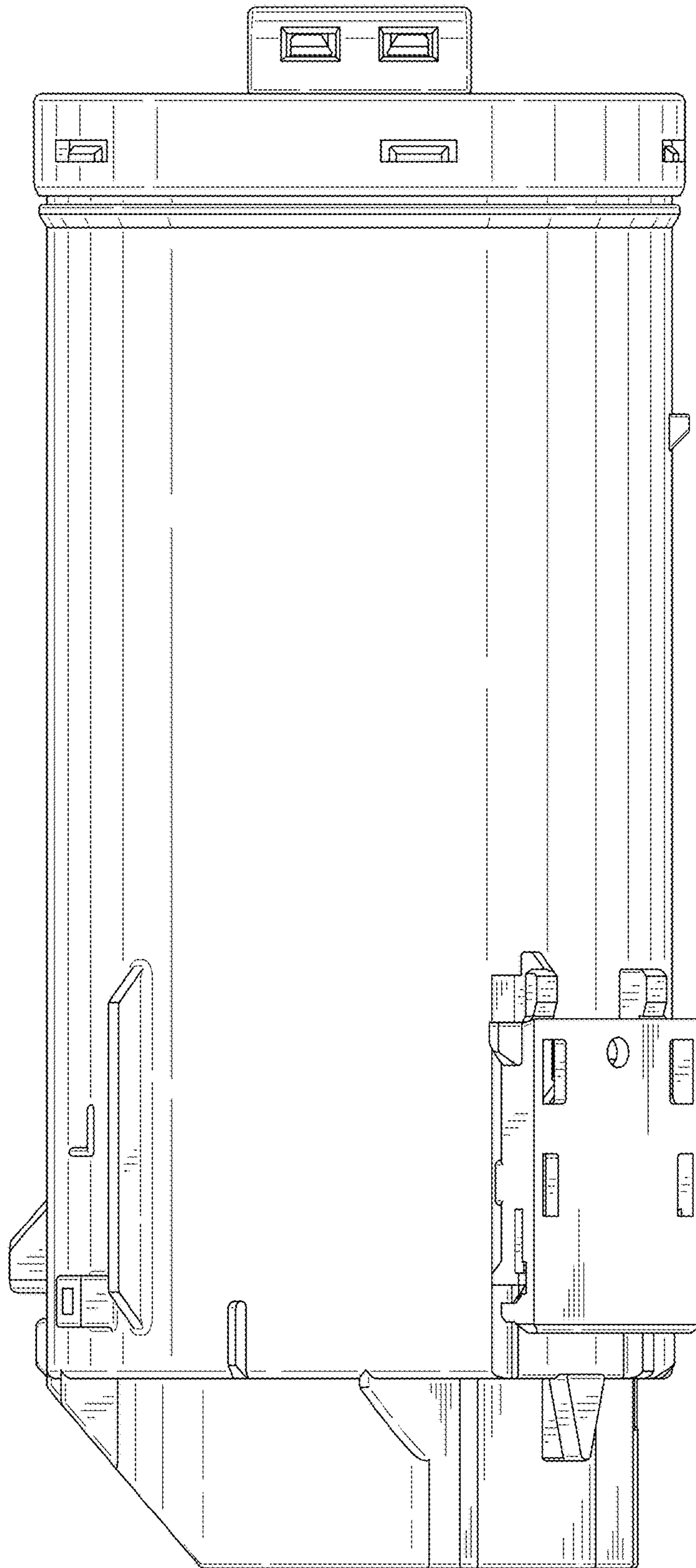


FIG. 4

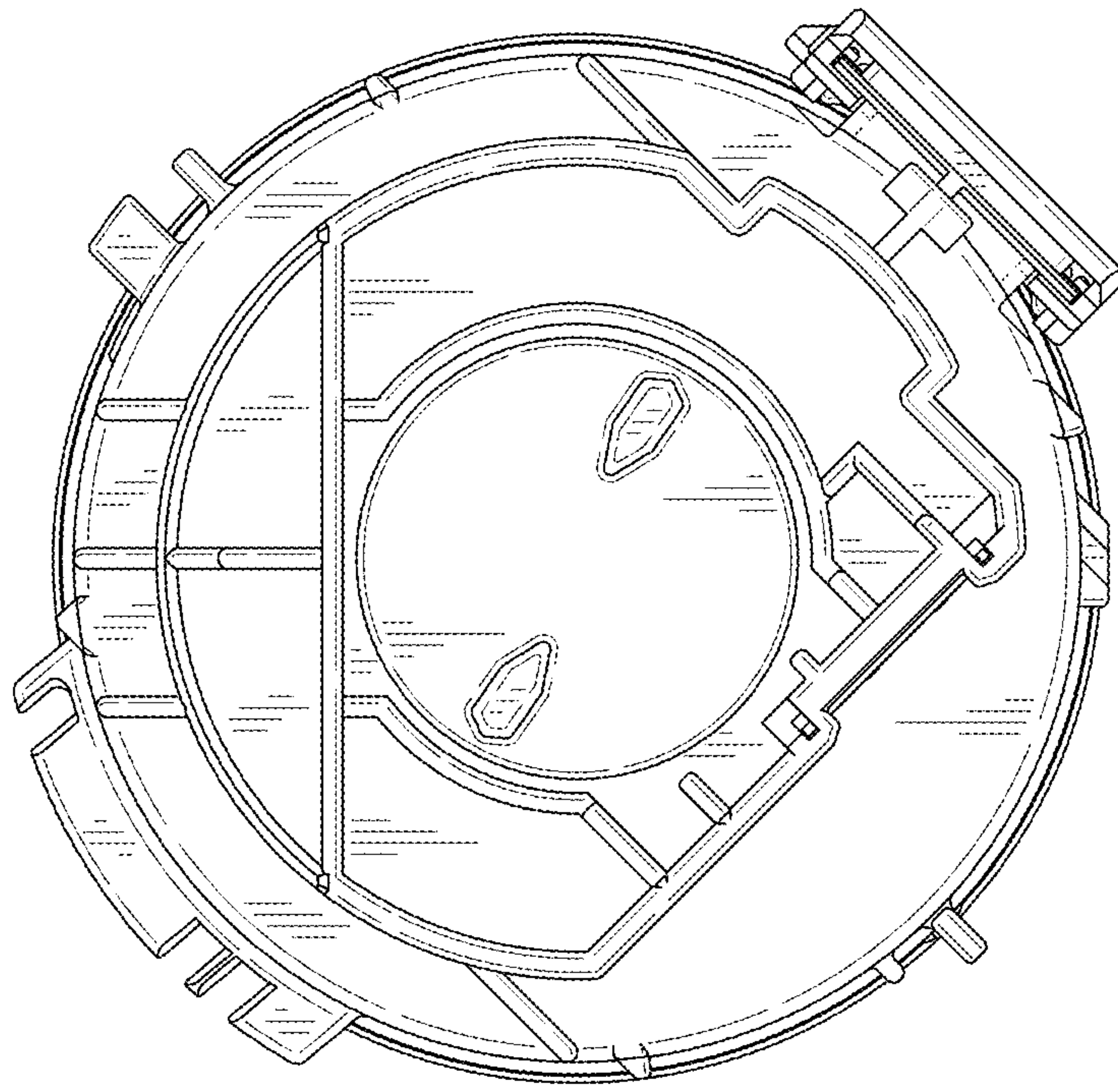


FIG. 6

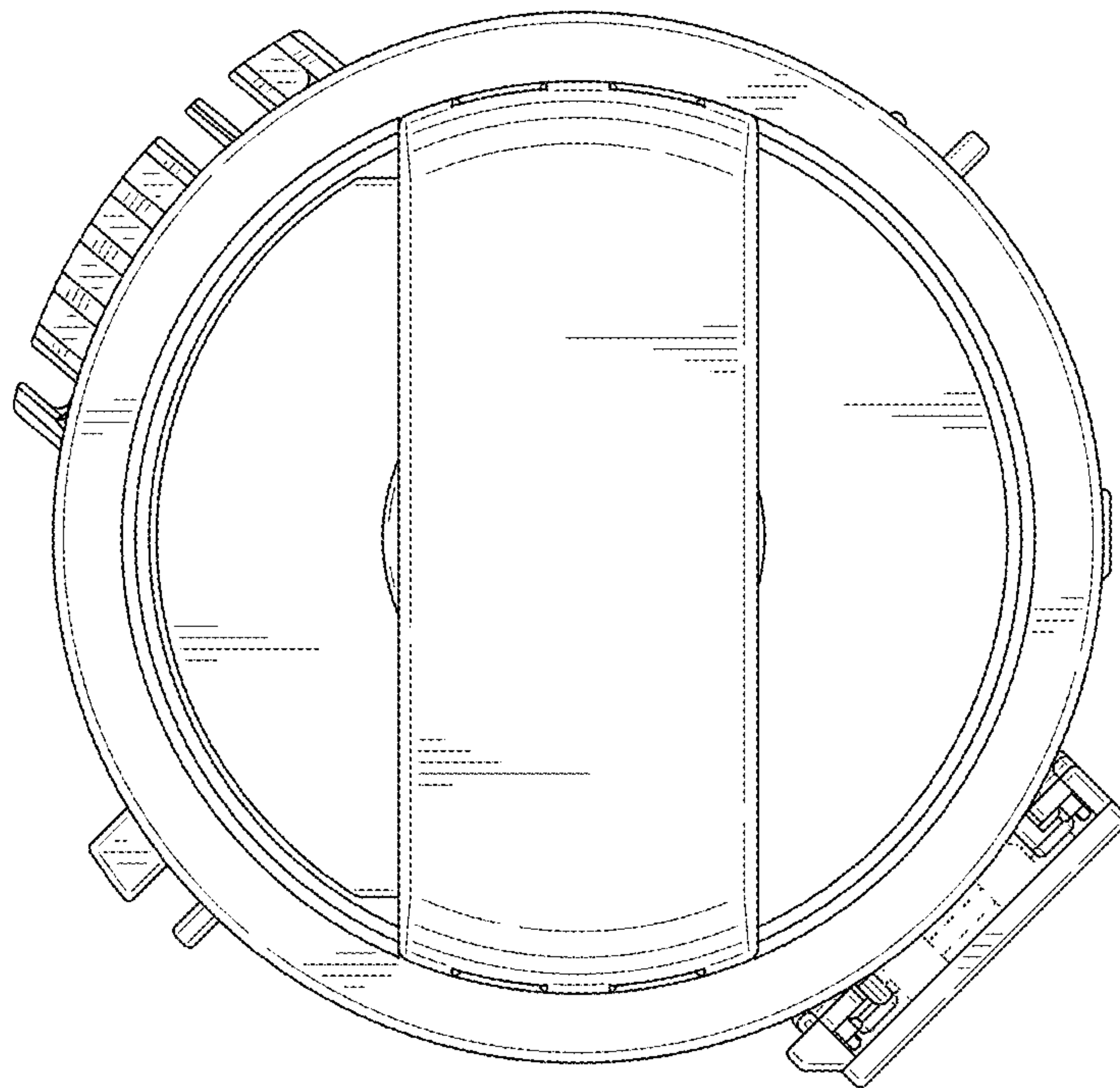


FIG. 5

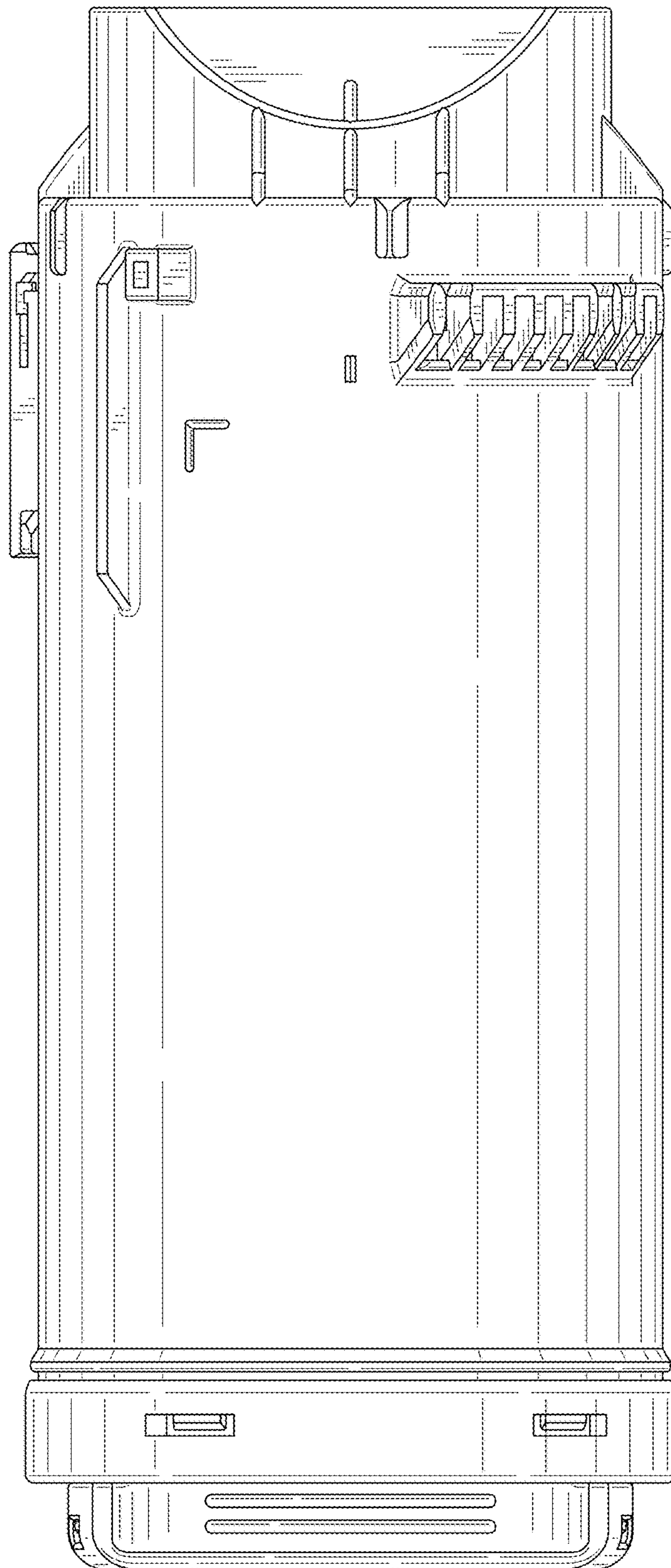


FIG. 7

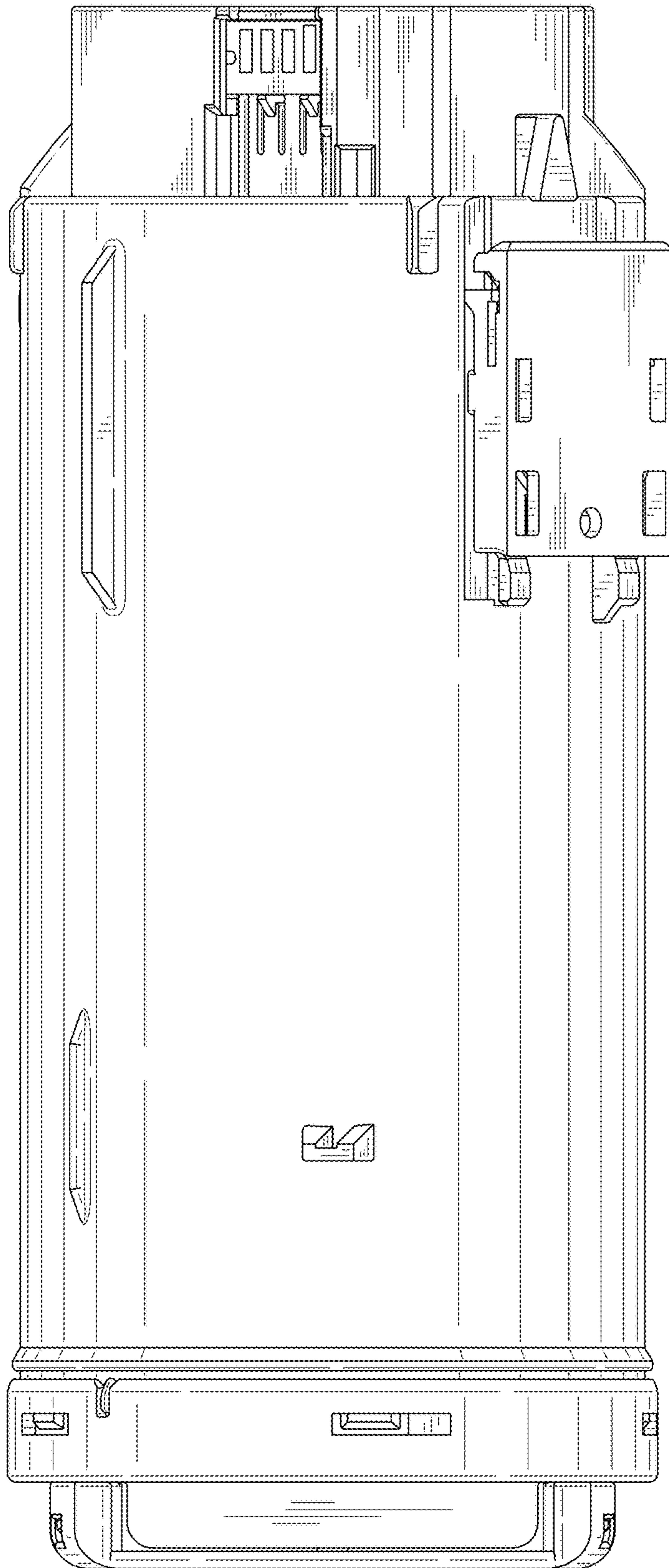


FIG. 8