



US00D812680S

(12) **United States Design Patent**
Takiguchi et al.

(10) **Patent No.:** **US D812,680 S**
(45) **Date of Patent:** **** Mar. 13, 2018**

- (54) **TONER CARTRIDGE**
- (71) Applicant: **FUJI XEROX CO., LTD.**, Tokyo (JP)
- (72) Inventors: **Toshio Takiguchi**, Yokohama (JP);
Takuji Matsumoto, Yokohama (JP);
Koji Tadokoro, Yokohama (JP)
- (73) Assignee: **FUJI XEROX CO., LTD.**, Tokyo (JP)
- (**) Term: **15 Years**
- (21) Appl. No.: **29/587,137**
- (22) Filed: **Dec. 9, 2016**
- (51) **LOC (11) Cl.** **16-03**
- (52) **U.S. Cl.**
USPC **D18/43**
- (58) **Field of Classification Search**
USPC D14/471, 483, 484; D18/12, 18, 36, 40,
D18/43, 44, 56, 58, 99
CPC . B41J 2/17; B41J 2/1721; B41J 2/1572; B41J
2/1754; B41J 2/17503; B41J 2/17553;
B41J 2/17556; B41J 2/16547
See application file for complete search history.

(56) **References Cited**

U.S. PATENT DOCUMENTS

D321,716 S *	11/1991	Kikuchi	D18/43
D398,634 S *	9/1998	Katayama	D18/43
D399,870 S *	10/1998	Okada	D18/43
D408,845 S *	4/1999	Harumoto	D18/43
D431,260 S *	9/2000	Kohno	D18/43

6,490,422 B2 *	12/2002	Harumoto	G03G 15/0865 399/12
D469,119 S *	1/2003	Shiba	D18/43
D546,874 S *	7/2007	Hakukawa	D18/43
D636,017 S *	4/2011	Takiguchi	D18/43
D674,005 S *	1/2013	Teramura	D18/43
D712,462 S *	9/2014	Koshimori	D18/43
D715,355 S *	10/2014	Otsubo	D18/43
2010/0008698 A1 *	1/2010	Ichikawa	G03G 15/0886 399/119

* cited by examiner

Primary Examiner — Garth Rademaker

Assistant Examiner — Richard Kearney

(74) *Attorney, Agent, or Firm* — Sughrue Mion, PLLC

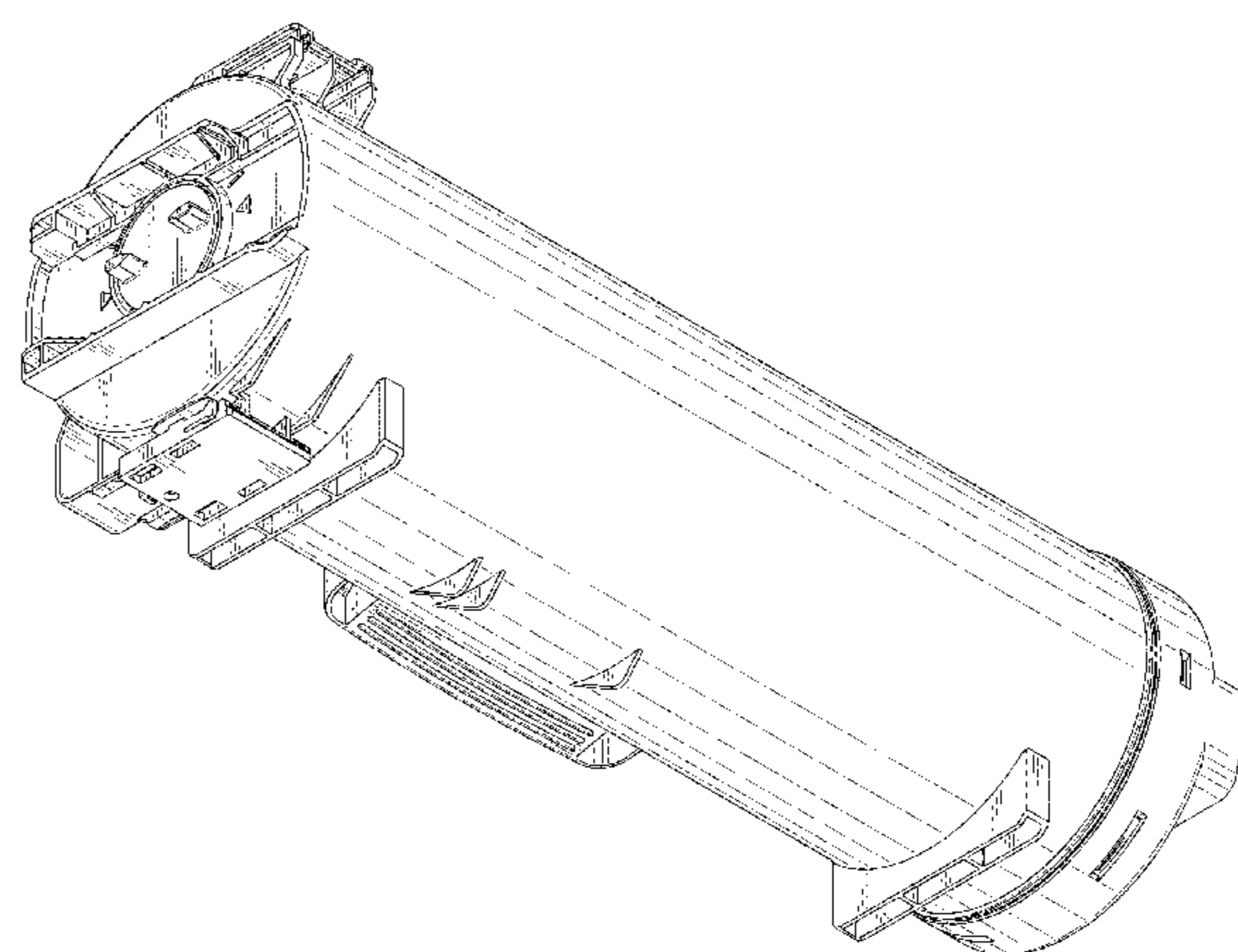
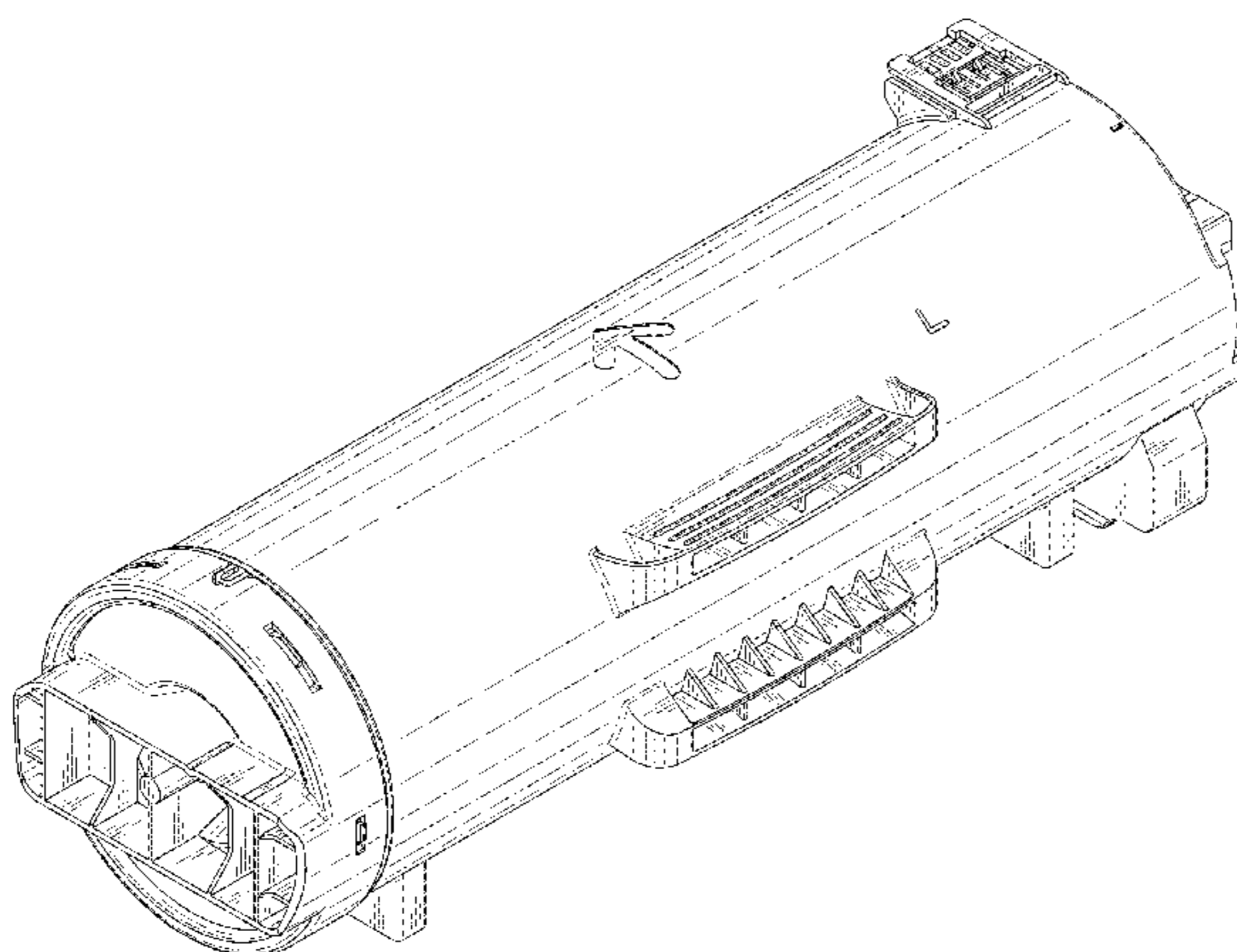
(57) **CLAIM**

The ornamental design for a toner cartridge, as shown and described.

DESCRIPTION

FIG. 1 is a front, left, top perspective view of a toner cartridge showing our new design;
 FIG. 2 is a rear, right, bottom perspective view thereof;
 FIG. 3 is a front view thereof;
 FIG. 4 is a rear side view thereof;
 FIG. 5 is a left side view thereof;
 FIG. 6 is a right side view thereof;
 FIG. 7 is a top plan view thereof; and,
 FIG. 8 is a bottom plan view thereof.
 The broken lines in the Figures show portions of the toner cartridge which form no part of the claim.

1 Claim, 7 Drawing Sheets



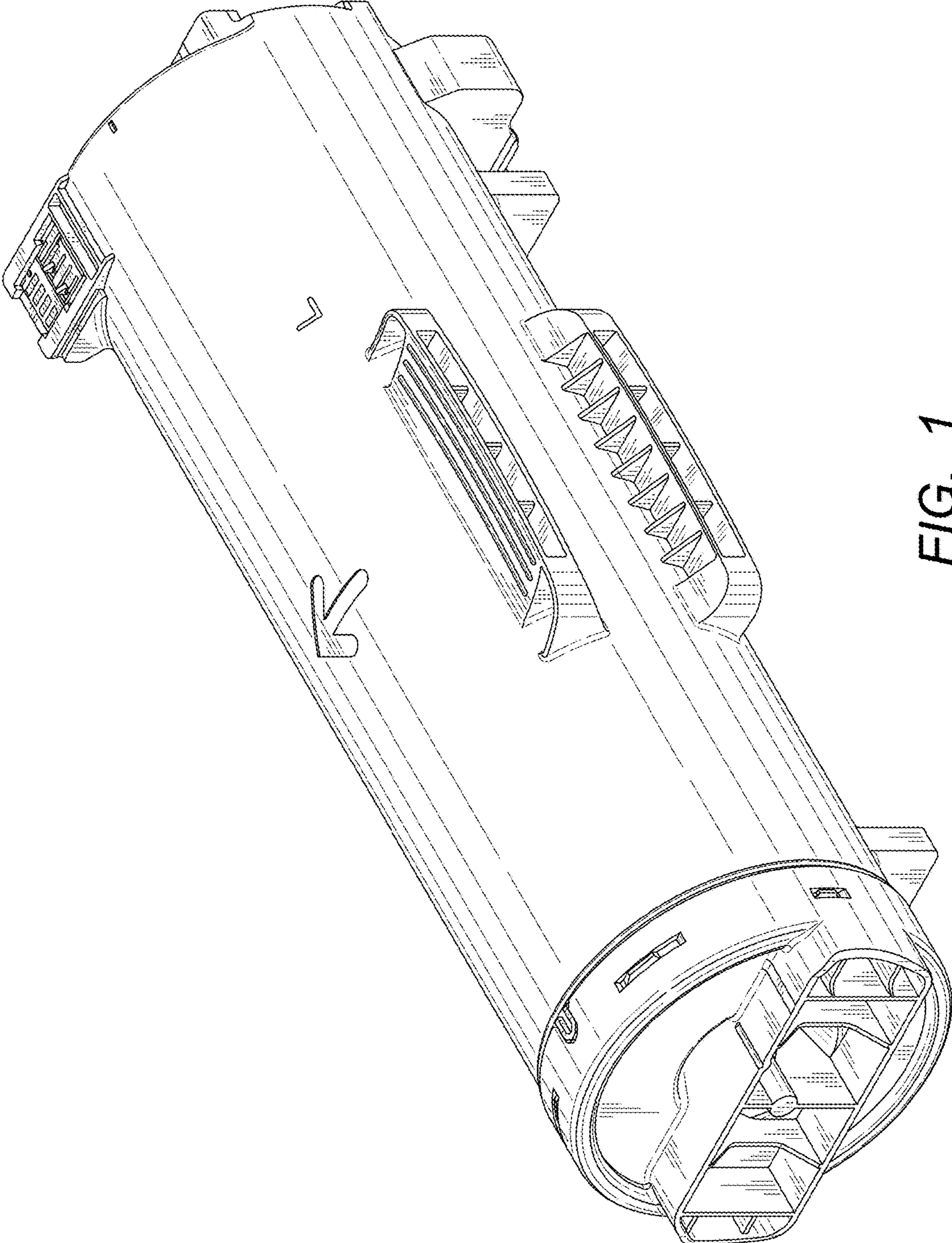


FIG. 1

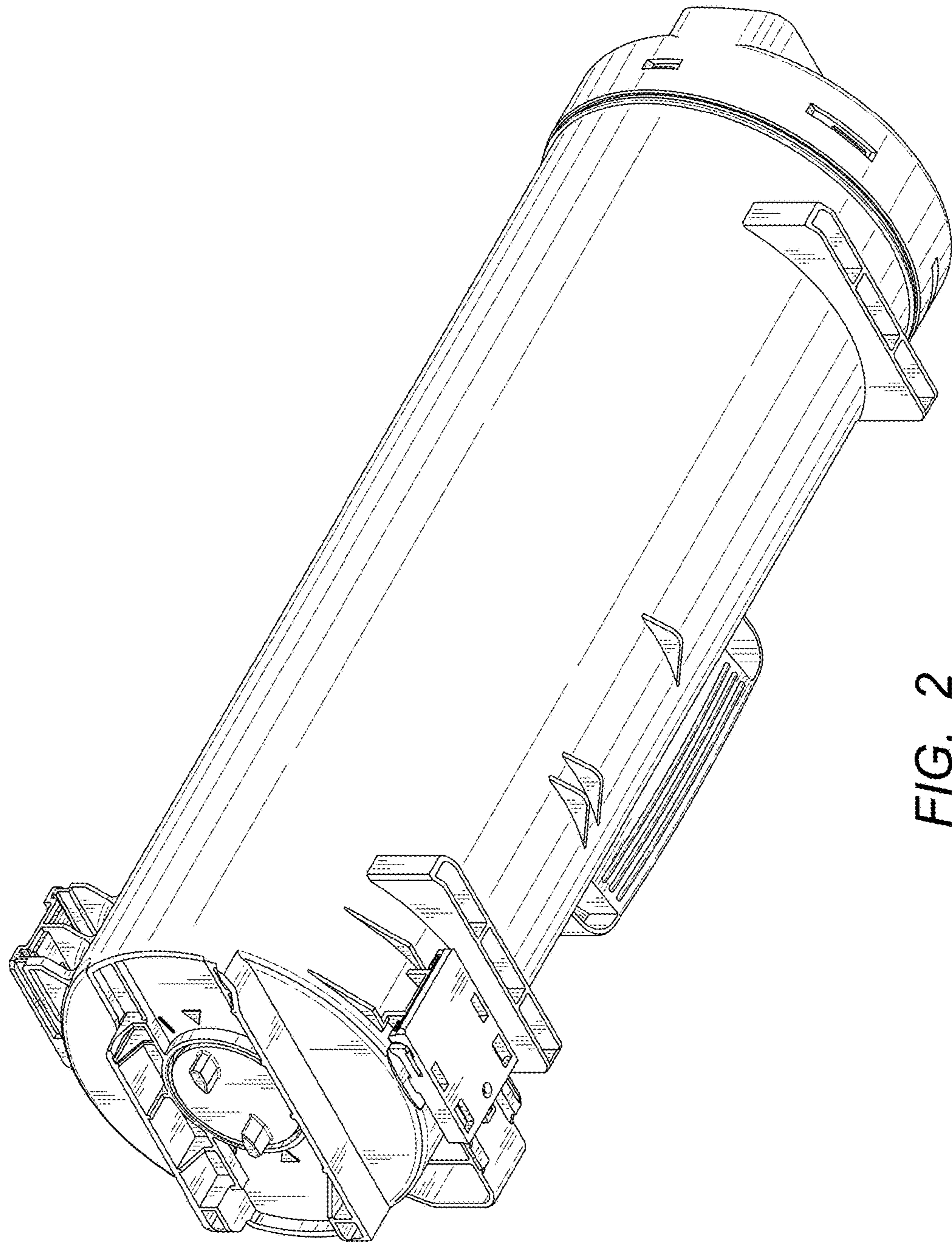


FIG. 2

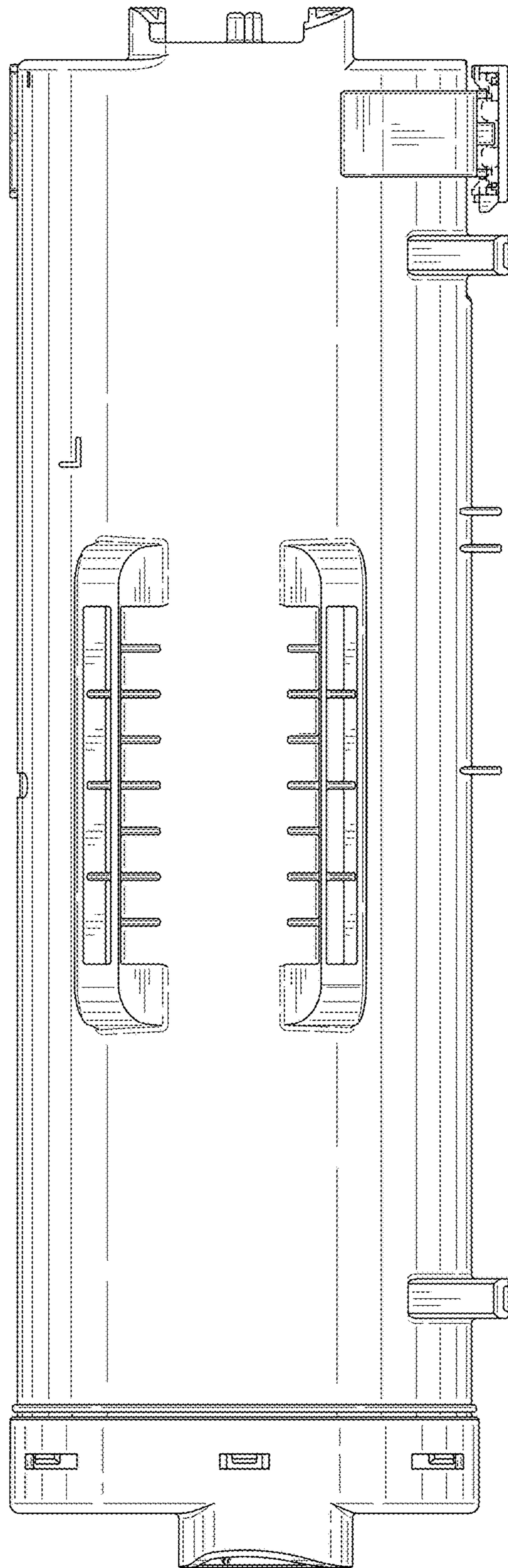


FIG. 3

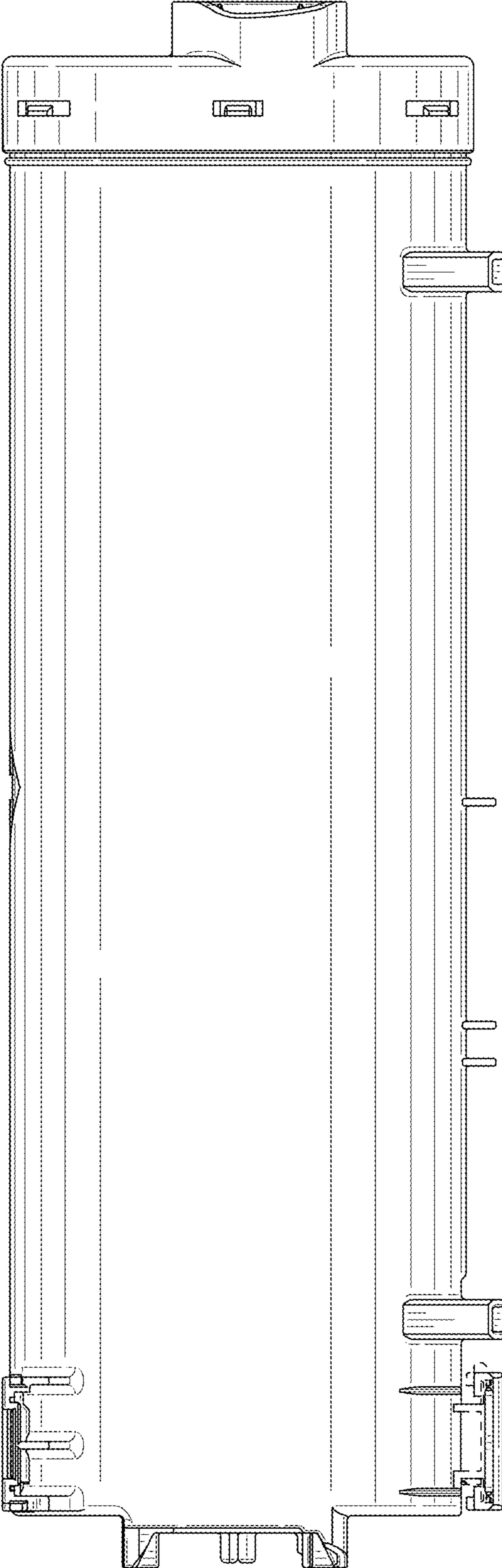


FIG. 4

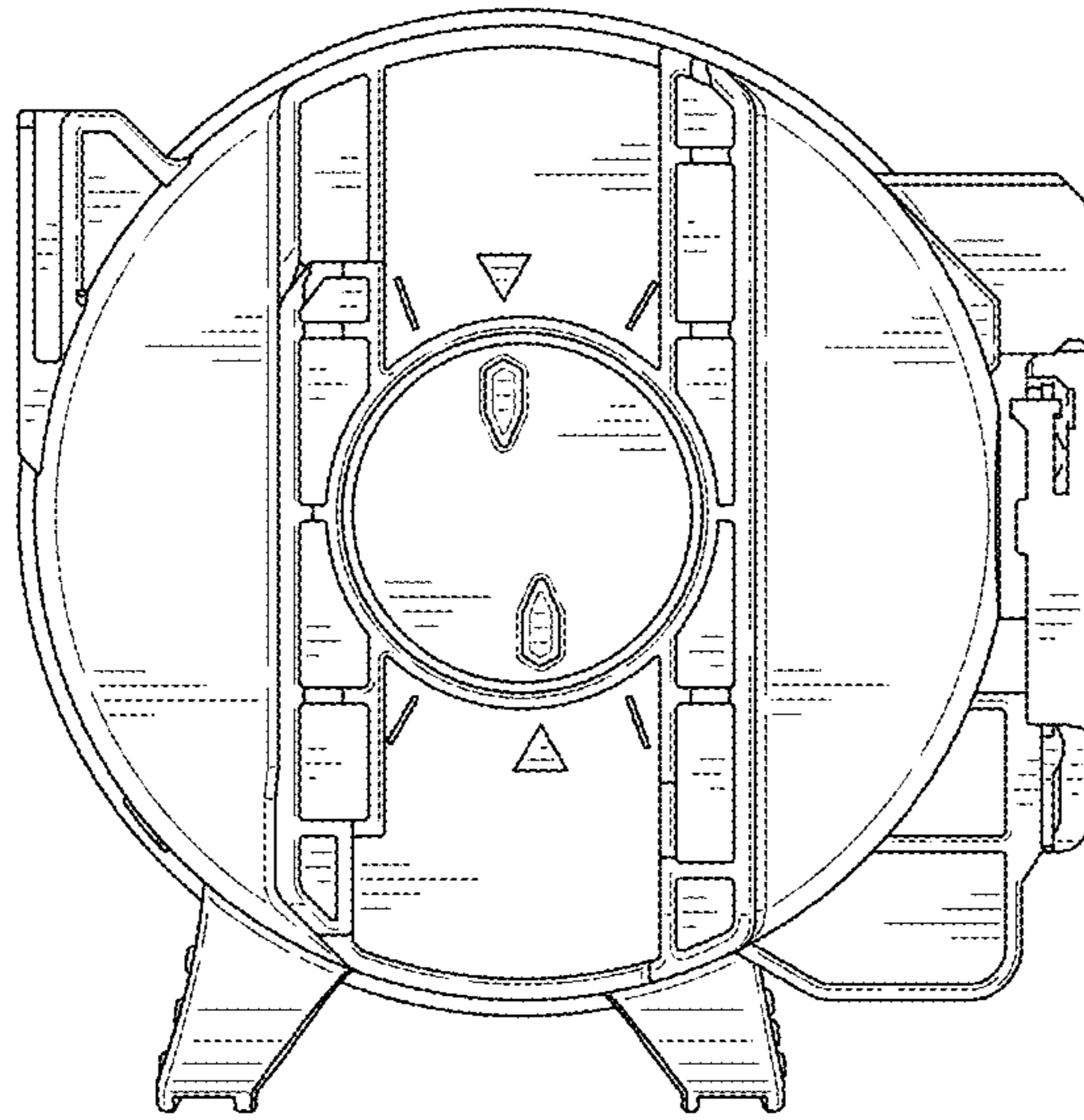


FIG. 6

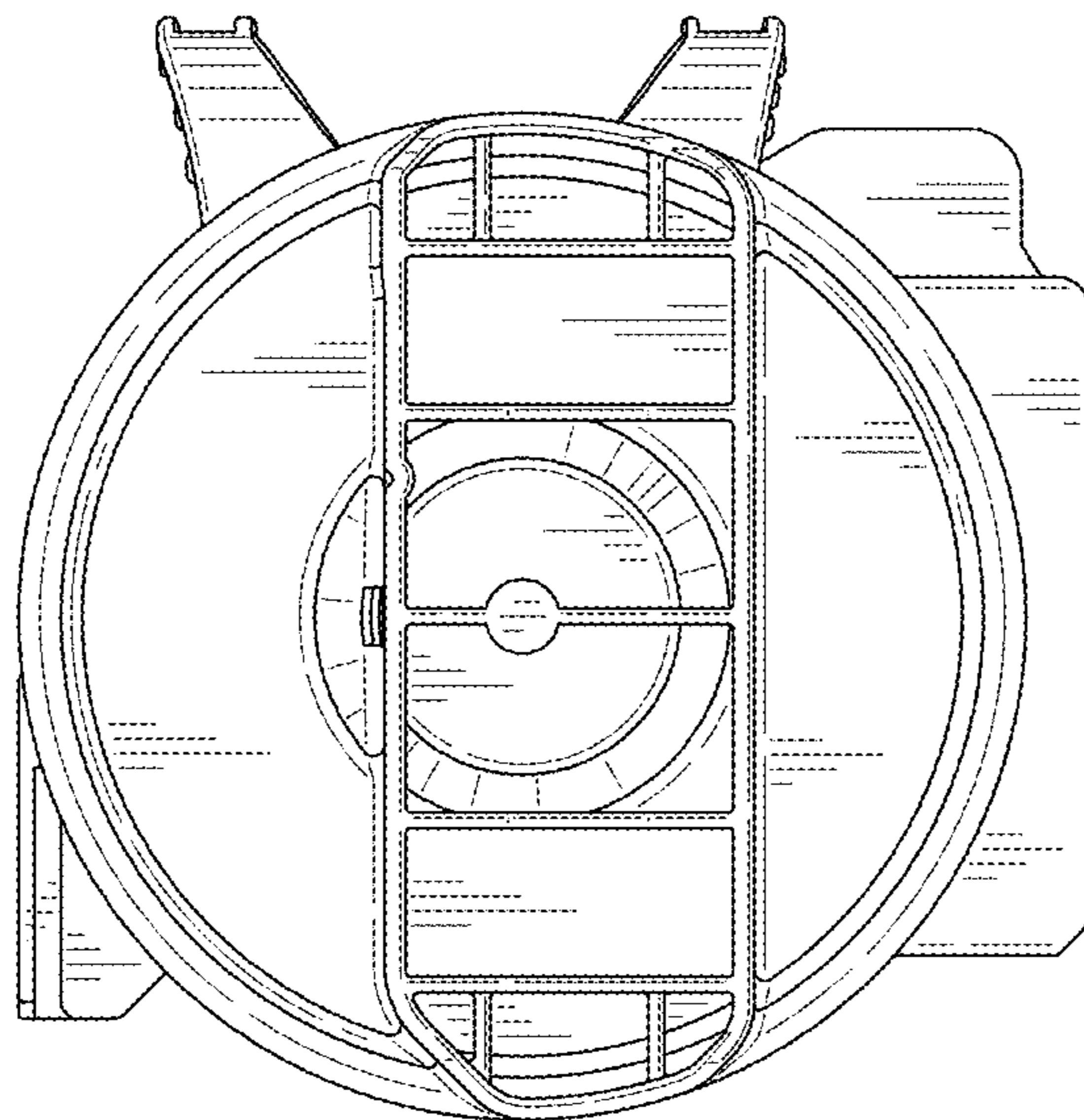


FIG. 5

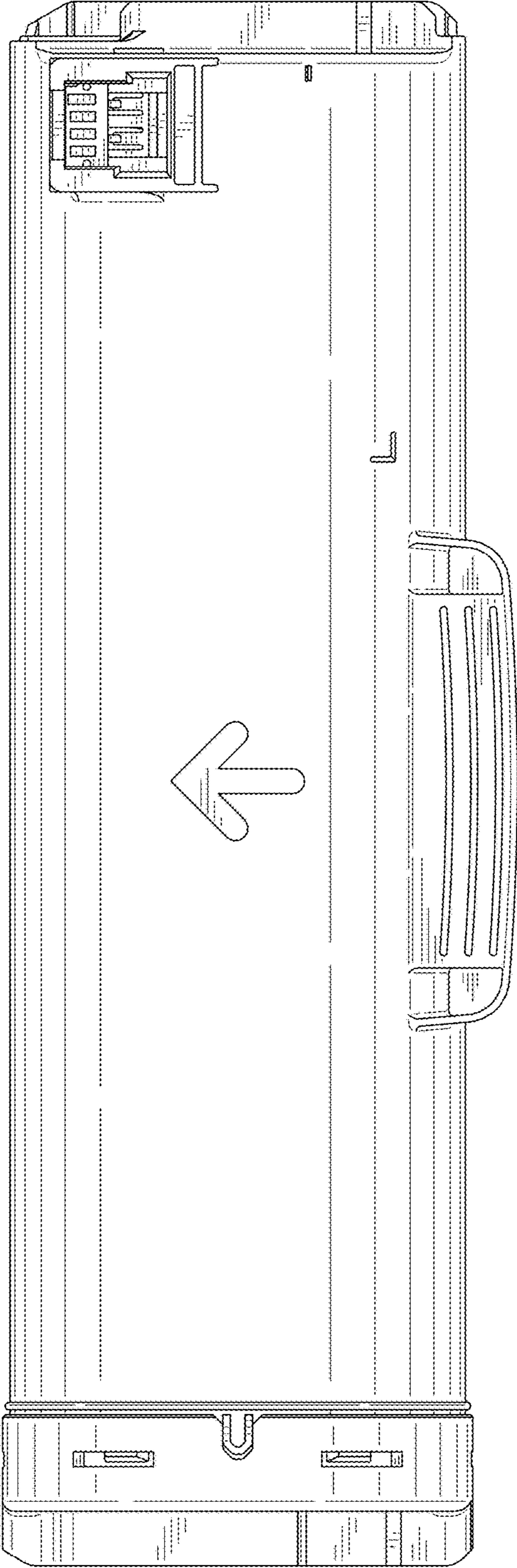


FIG. 7

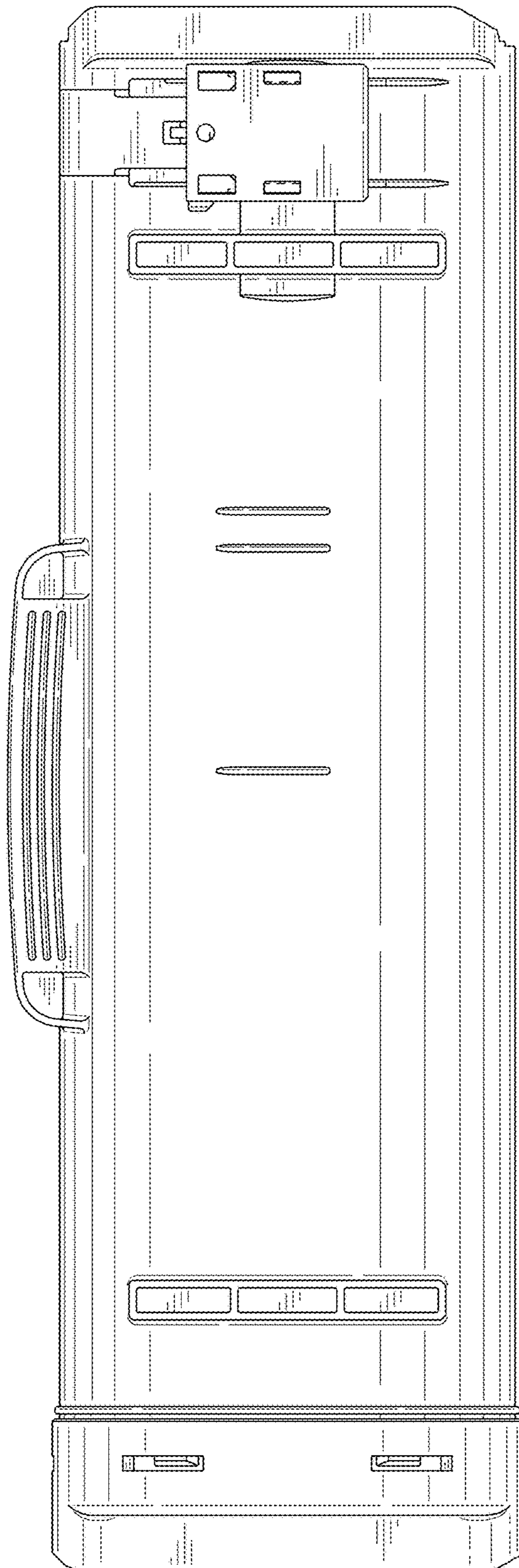


FIG. 8