



US00D812678S

(12) **United States Design Patent**  
**Ozawa et al.**

(10) **Patent No.:** **US D812,678 S**  
(45) **Date of Patent:** **\*\* Mar. 13, 2018**

(54) **LABEL PRINTER**

(71) Applicant: **SATO HOLDINGS KABUSHIKI KAISHA**, Tokyo (JP)

(72) Inventors: **Taichi Ozawa**, Tokyo (JP); **Keita Kuramochi**, Tokyo (JP); **Hiroshi Kokuta**, Tokyo (JP)

(73) Assignee: **SATO HOLDINGS KABUSHIKI KAISHA**, Tokyo (JP)

(\*\*) Term: **15 Years**

(21) Appl. No.: **29/593,090**

(22) Filed: **Feb. 6, 2017**

(30) **Foreign Application Priority Data**

Aug. 8, 2016 (JP) ..... 2016-017008

(51) **LOC (11) Cl.** ..... **18-99**

(52) **U.S. Cl.**  
USPC ..... **D18/19; D18/14**

(58) **Field of Classification Search**  
USPC ..... D18/14, 19, 50, 54, 54.1, 55; D19/68  
CPC . B41J 3/4075; B41J 11/58; B41J 15/00; B41J 15/042; B65C 11/00  
See application file for complete search history.

(56) **References Cited**

**U.S. PATENT DOCUMENTS**

D327,087 S *	6/1992	Ivester	.....	D18/54
D422,631 S *	4/2000	Toriyama	.....	D18/50
D530,361 S *	10/2006	Chambers	.....	D18/50
D607,503 S *	1/2010	Hyakumoto	.....	D18/19
D677,720 S *	3/2013	Tanaka	.....	D18/55
D750,162 S *	2/2016	Ozawa	.....	D18/19
D752,137 S *	3/2016	Mita	.....	D18/19
D753,217 S *	4/2016	Ozawa	.....	D18/50
D768,235 S *	10/2016	Ozawa	.....	D18/56

D775,275 S *	12/2016	Takahashi	.....	D18/50
D799,589 S *	10/2017	Maeda	.....	D18/19
D800,830 S *	10/2017	Maeda	.....	D18/19

(Continued)

*Primary Examiner* — Robin V Webster

*Assistant Examiner* — James C Thorn, Sr.

(74) *Attorney, Agent, or Firm* — Andrew F. Young, Esq.;  
Lackebach Siegel, LLP

(57) **CLAIM**

The ornamental design for a label printer, as shown and described.

**DESCRIPTION**

FIG. 1 is a front left perspective view of the label printer, showing our new design;

FIG. 2 is a rear right perspective view of the present invention.

FIG. 3 is a left side elevation view of FIG. 1.

FIG. 4 is a right side plan view of FIG. 1.

FIG. 5 is a top plan view of FIG. 1.

FIG. 6 is a bottom plan view of FIG. 1.

FIG. 7 is a front elevation view of FIG. 1.

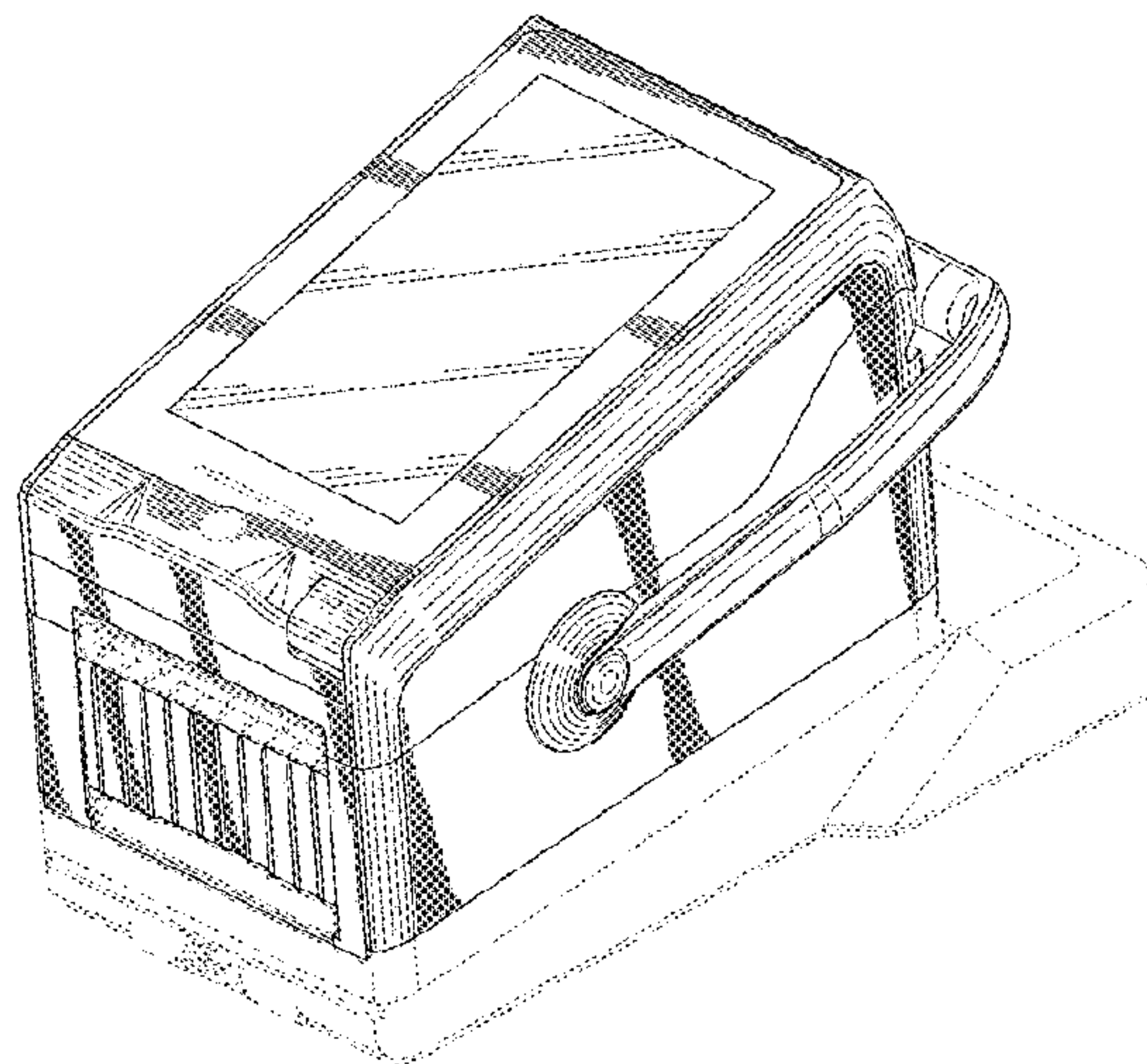
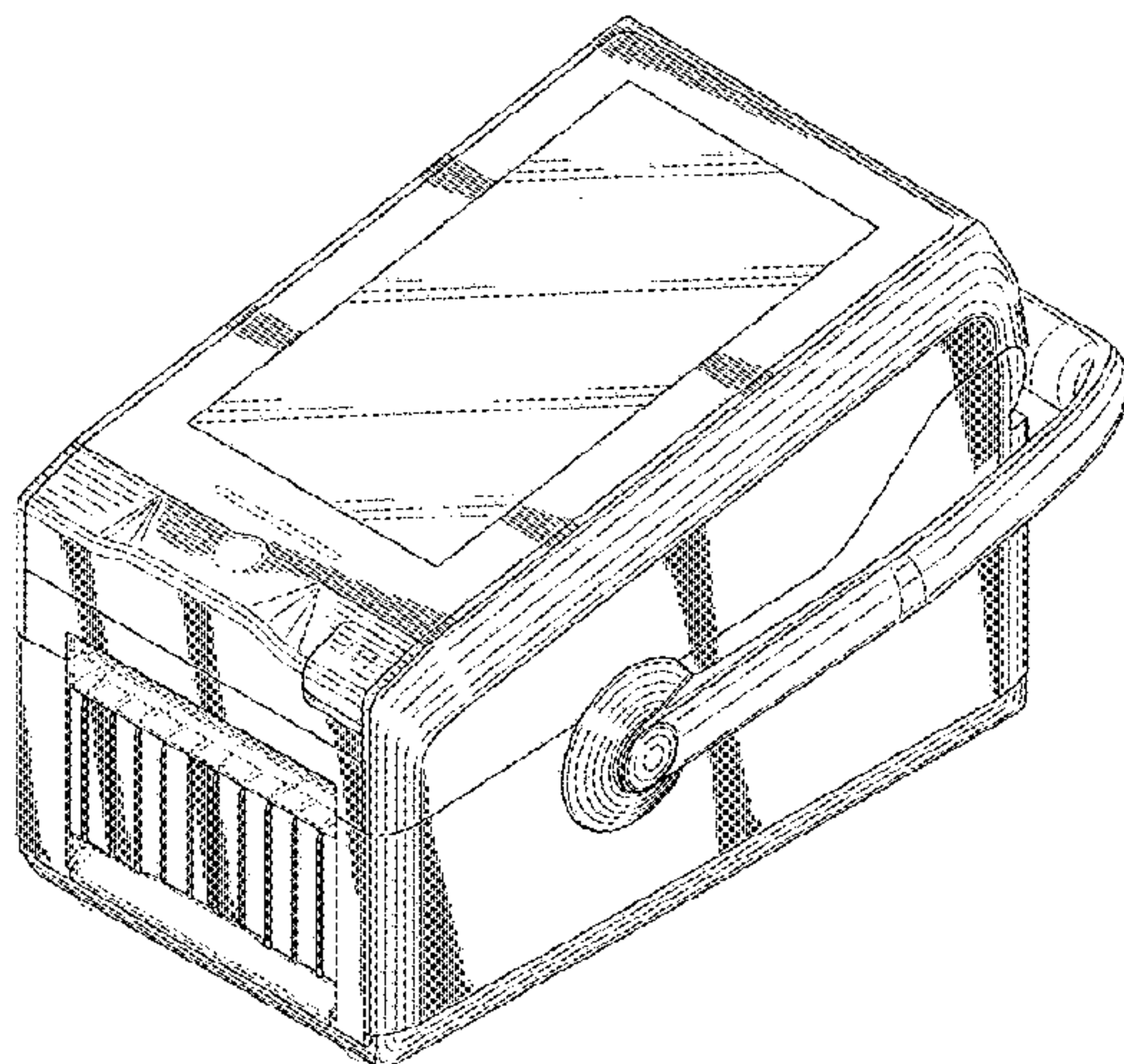
FIG. 8 is a rear elevation view of FIG. 1.

FIG. 9 is an illustrative reference view of FIG. 1 in a state of use; and,

FIG. 10 is an illustrative reference view of FIG. 1 in an alternative state of use.

The surfaces are lightly lined for contour only. The broken lines indicate disclaimed subject matter for environmental purposes only and form no part of the claimed design. The illustrative reference views in FIGS. 9 and 10 illustrate alternative states of use with adaptive portions in conjunction with the label printer, and form no part of the claimed design, and adaptive features are shown in broken lines further forming no part of the claimed design. The entire inner-inside surfaces as shown in FIG. 3 fully disclaimed and are bounded by and disclaimed by the broken lines, as shown. No claim is made to portions of the design which are not show.

**1 Claim, 10 Drawing Sheets**



(56)

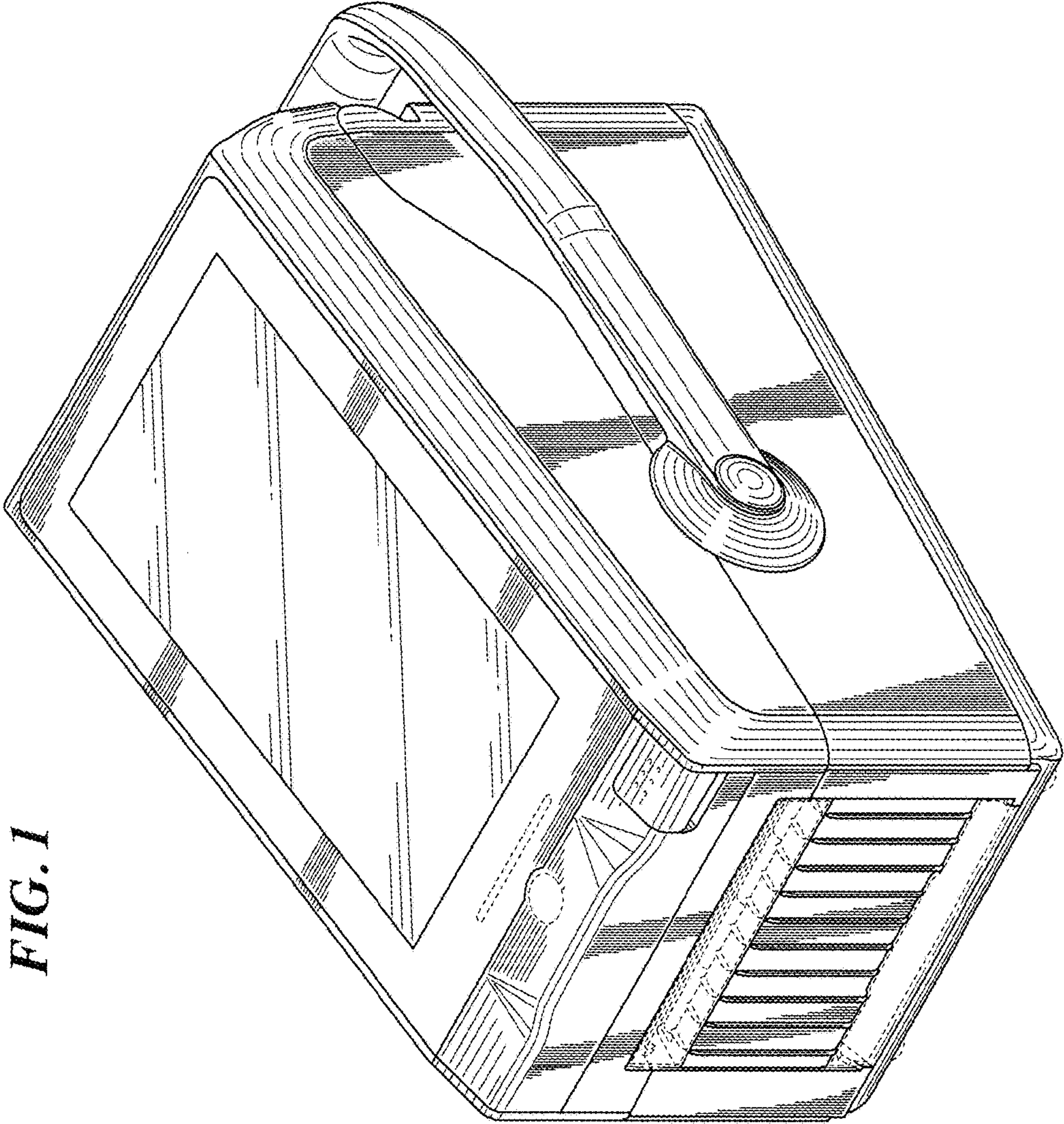
**References Cited**

U.S. PATENT DOCUMENTS

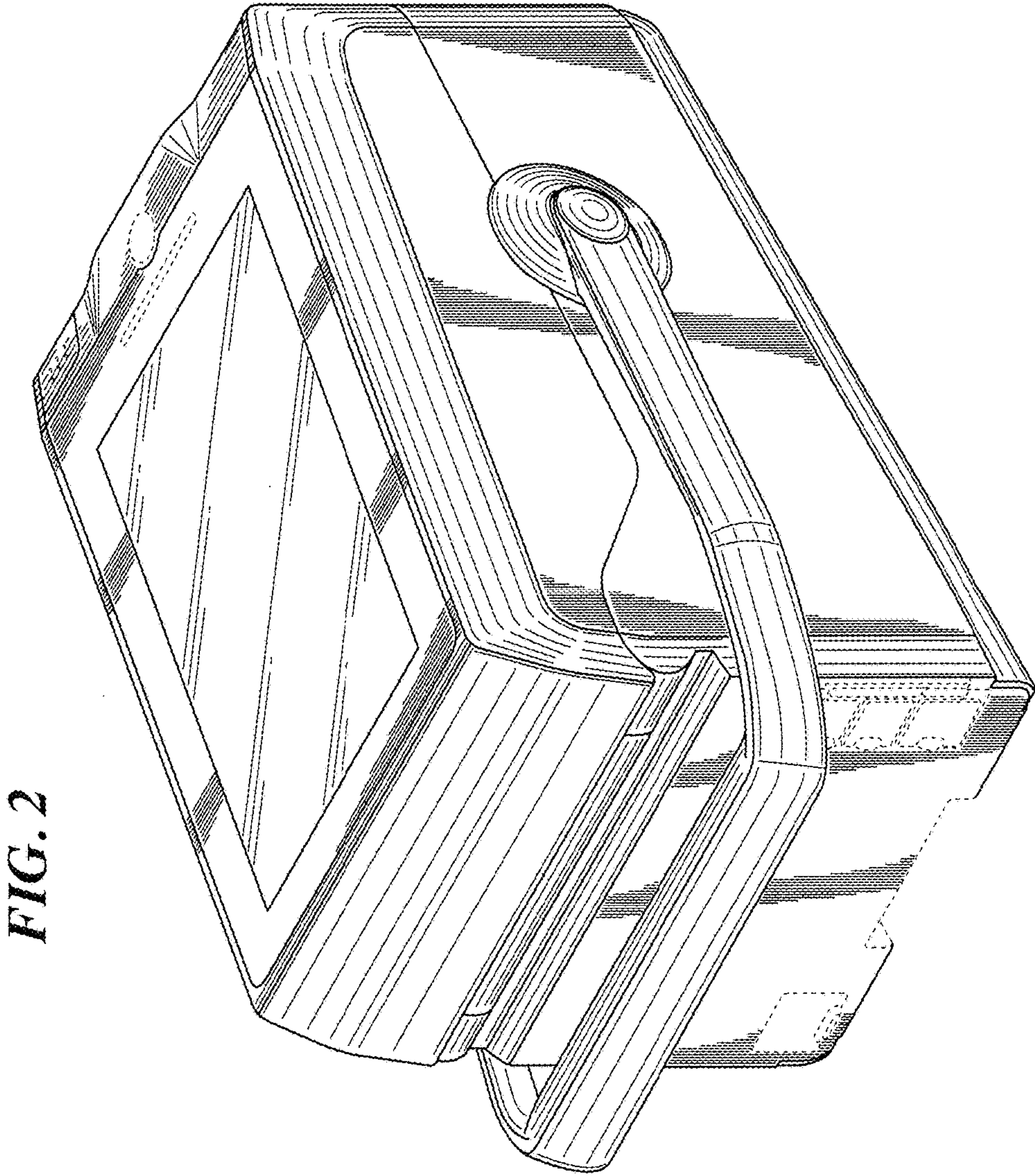
2017/0072718 A1\* 3/2017 Watanabe ..... B41J 15/042  
2017/0348983 A1\* 12/2017 Suzuki ..... B41J 3/4075

\* cited by examiner





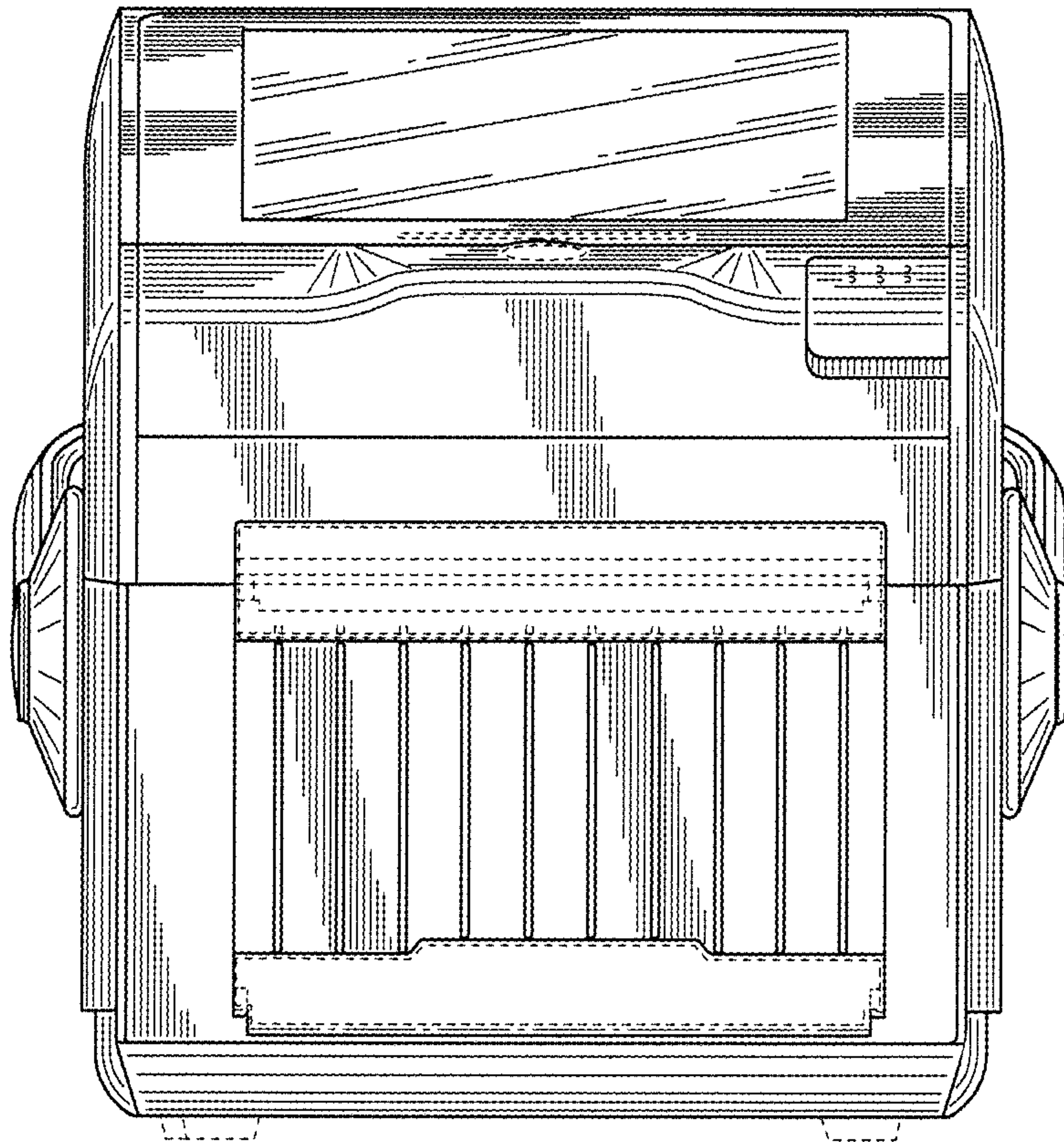
**FIG. 1**



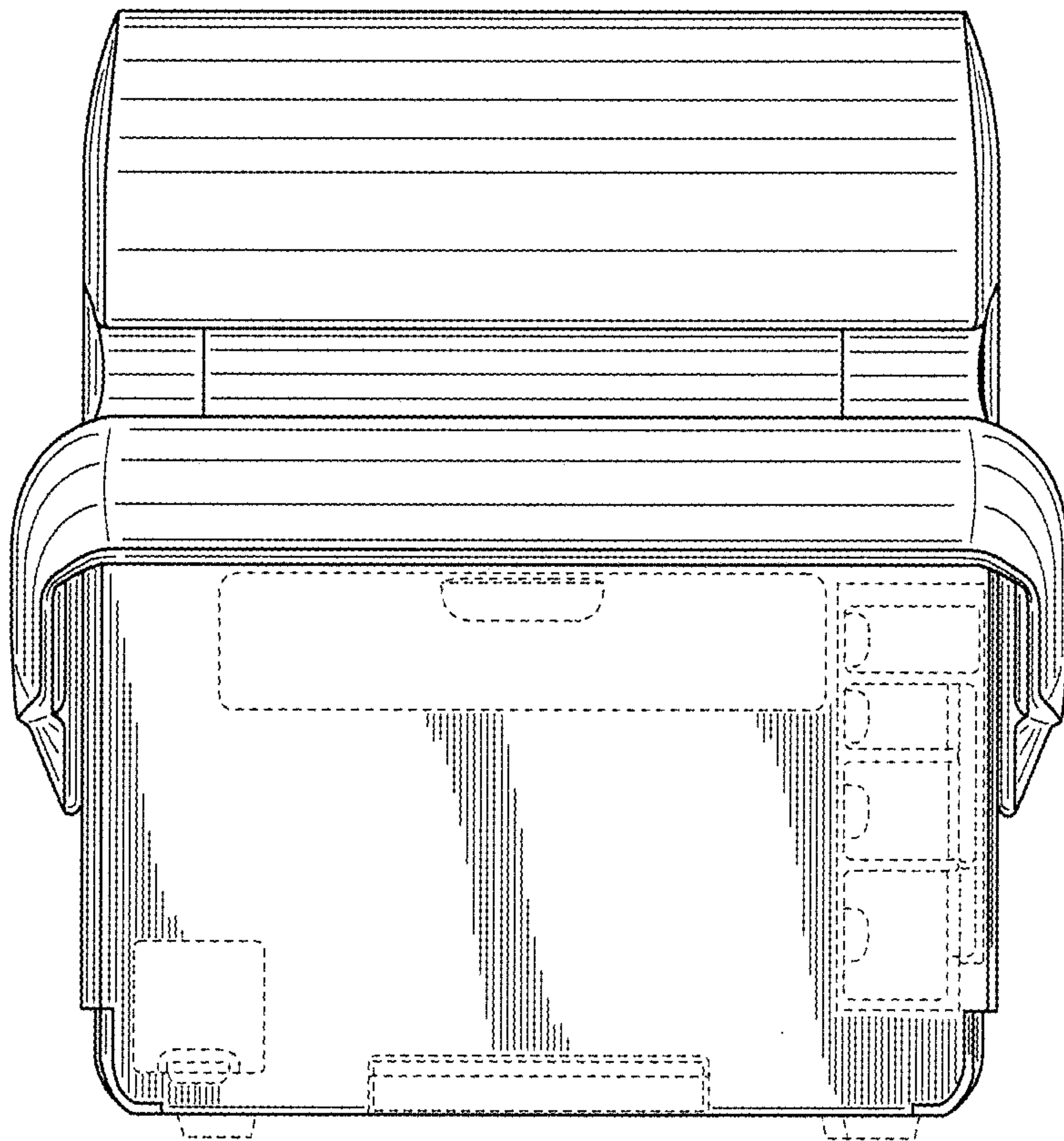
**FIG. 2**



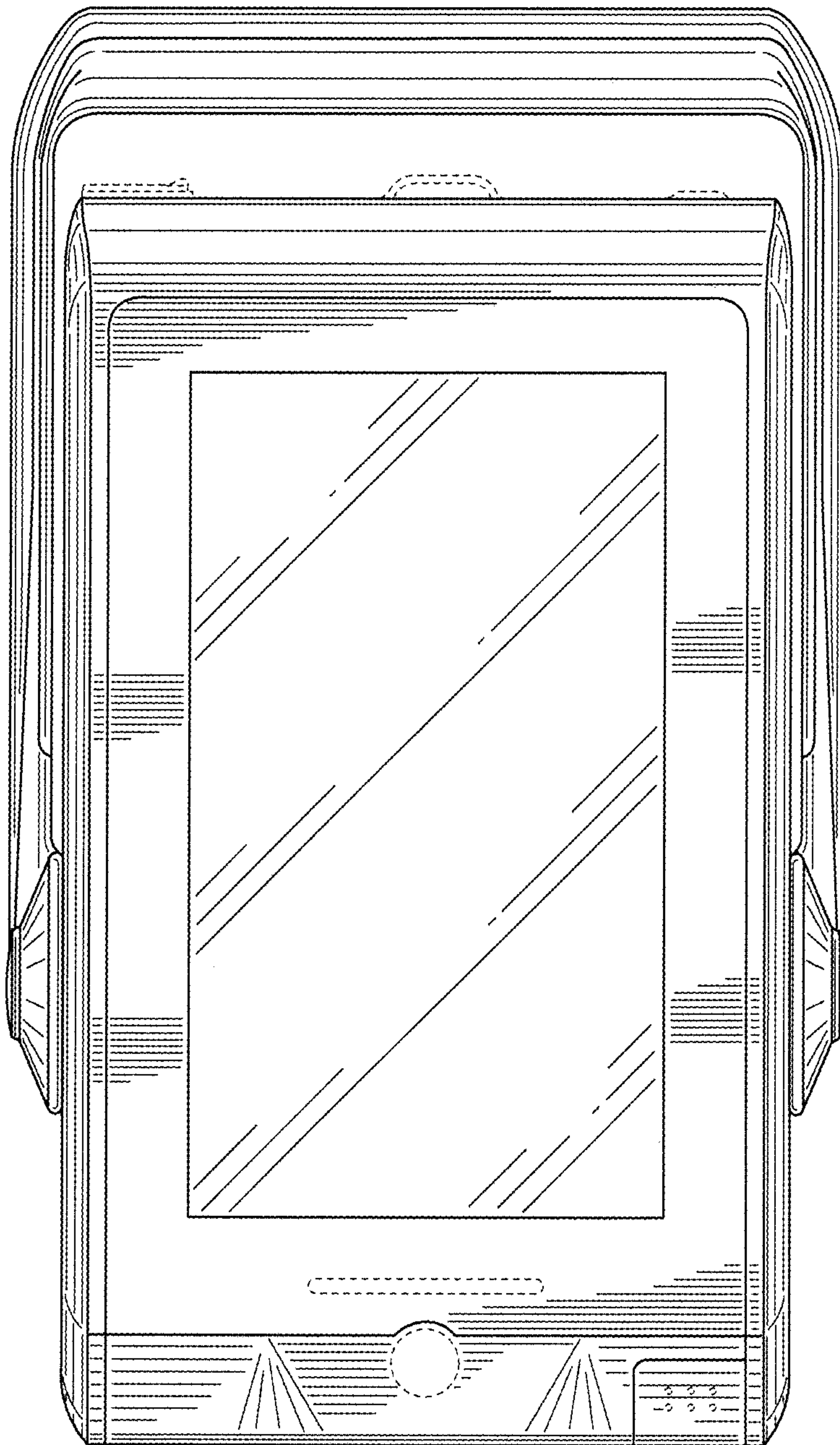
*FIG. 3*



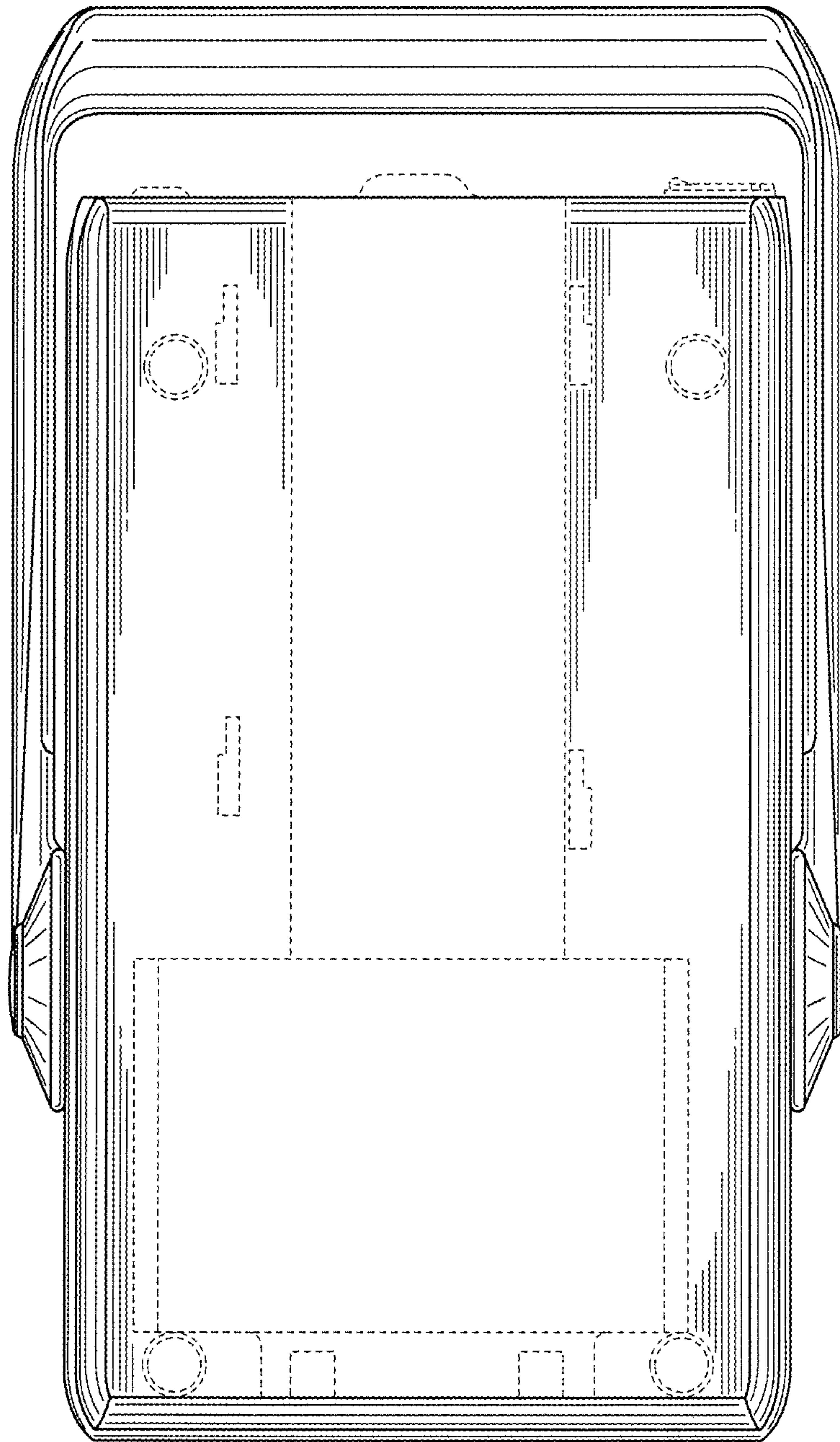
*FIG. 4*



**FIG. 5**

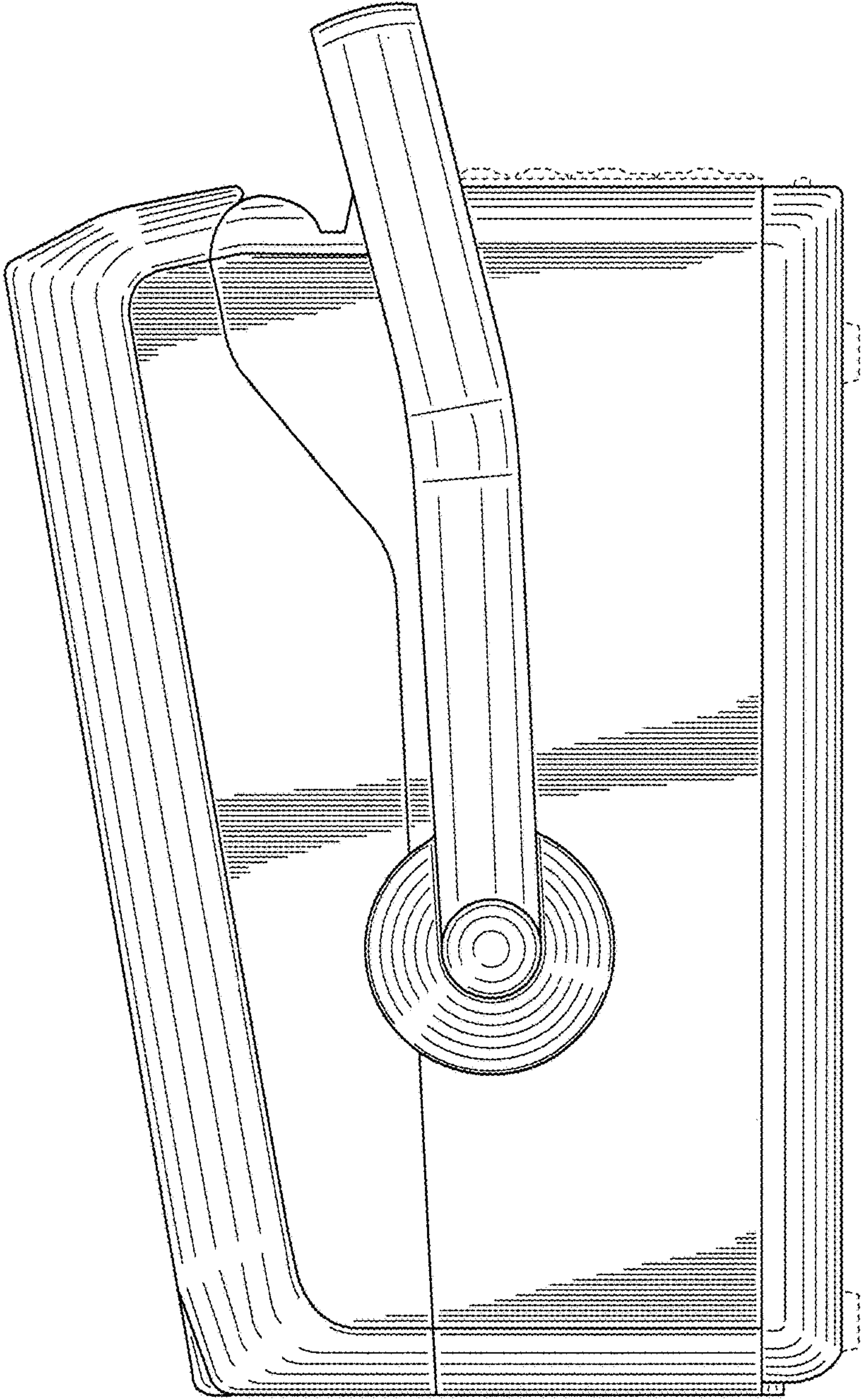


*FIG. 6*

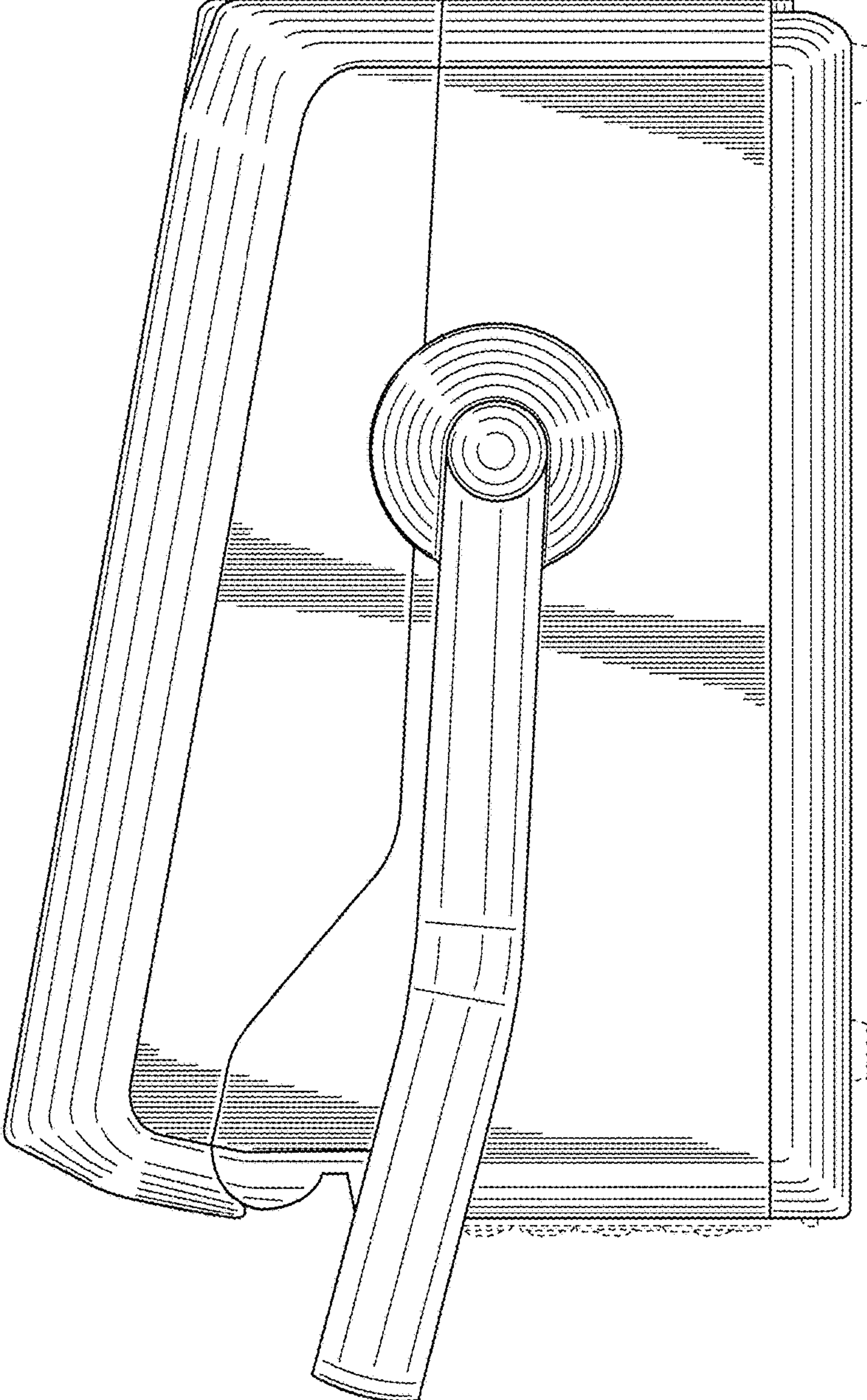




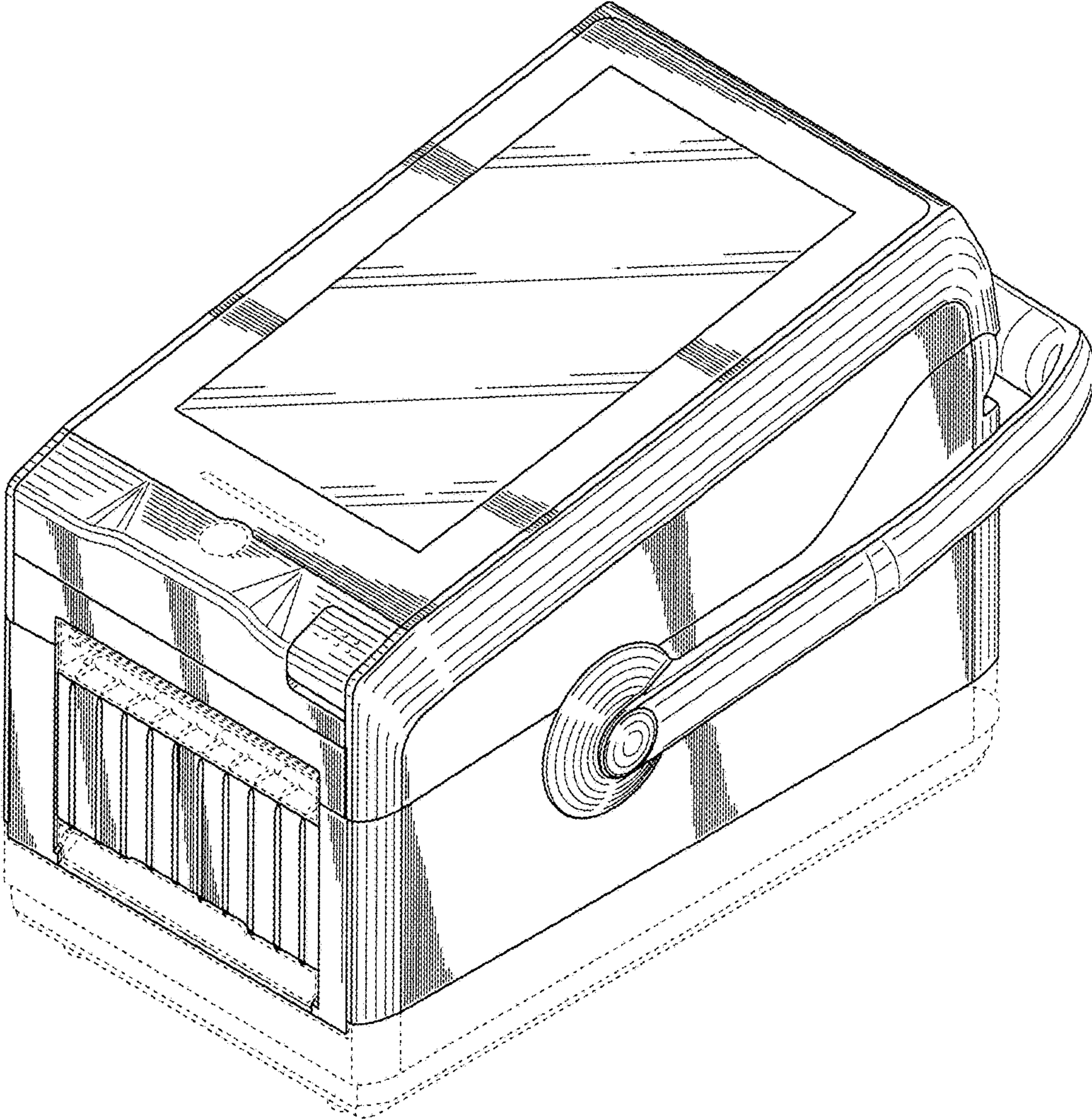
*FIG. 7*



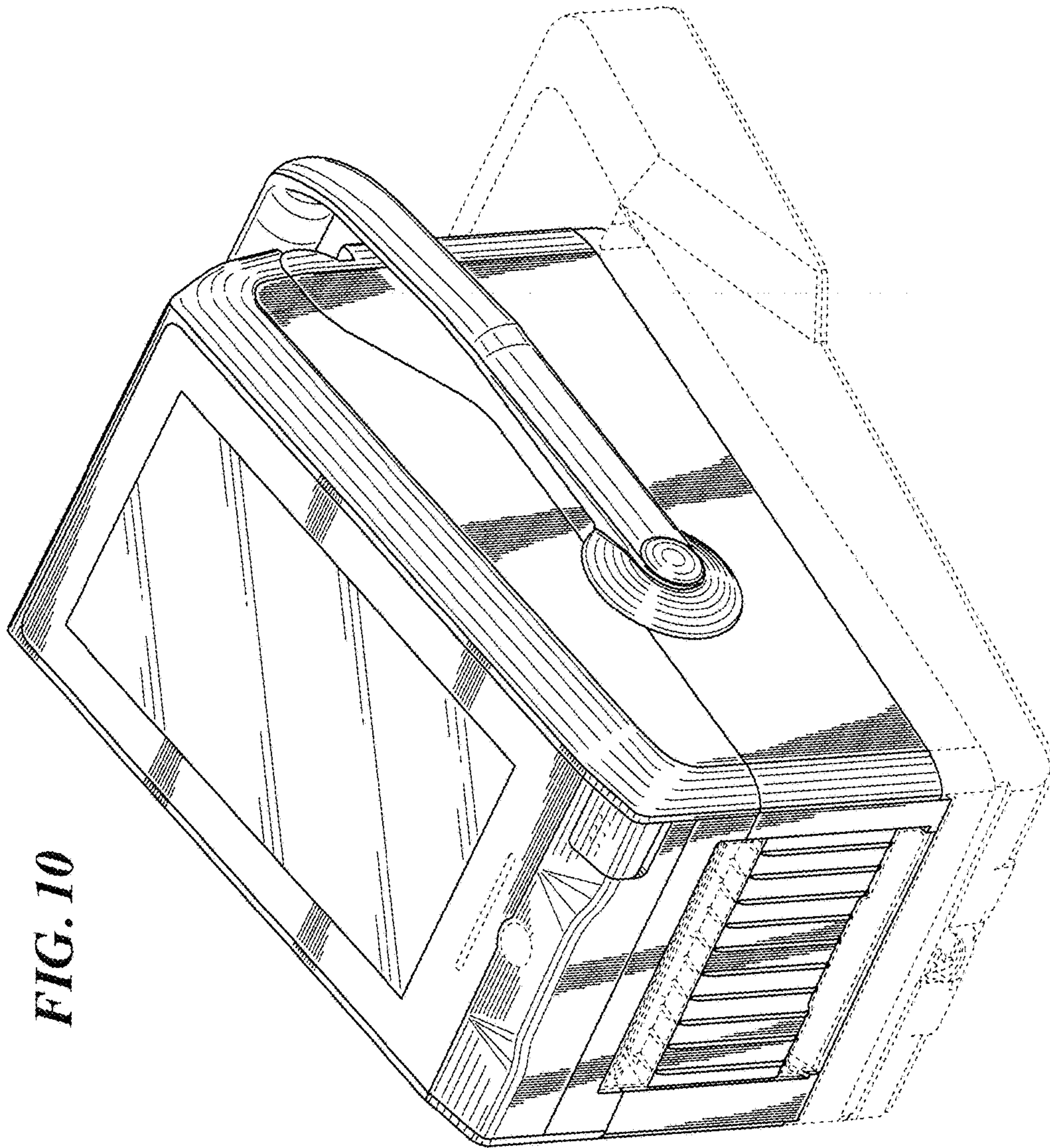
*FIG. 8*



*FIG. 9*







**FIG. 10**