



US00D812675S

(12) **United States Design Patent** (10) **Patent No.:** **US D812,675 S**
Kim (45) **Date of Patent:** **** Mar. 13, 2018**

(54) **PHOTOGRAPHY REFLECTOR HOLDER**

(71) Applicant: **Il Kim**, Corona, CA (US)

(72) Inventor: **Il Kim**, Corona, CA (US)

(**) Term: **15 Years**

(21) Appl. No.: **29/594,967**

(22) Filed: **Feb. 23, 2017**

(51) **LOC (11) Cl.** **16-05**

(52) **U.S. Cl.**
USPC **D16/237**

(58) **Field of Classification Search**
USPC D16/219, 237-250; D14/251, 253, 433,
D14/434, 447; D8/354-356, 363,
D8/367-371, 373, 382-383, 394-396
CPC G03B 17/56; G03B 17/561-17/568; G02B
7/00-7/002; A45F 5/00; A45F 5/10; A45F
2200/0508-2200/0533

See application file for complete search history.

(56) **References Cited**

U.S. PATENT DOCUMENTS

D198,296 S	*	5/1964	Resk	D16/244
D276,620 S	*	12/1984	Hanke	D16/243
D302,561 S	*	8/1989	Goins	396/419
D617,781 S	*	6/2010	Kallas	D14/226
D657,218 S	*	4/2012	Wilder	D8/51
D725,694 S	*	3/2015	Florey	F16M 13/022
					D16/242
D748,640 S	*	2/2016	Hart	D14/451
D757,019 S	*	5/2016	Pitteri	D14/447
D758,474 S	*	6/2016	Harrison	D16/242
D780,248 S	*	2/2017	Anari, III	D16/242
D783,628 S	*	4/2017	Pitteri	D14/447
D784,800 S	*	4/2017	Burchfield	D8/396
D801,978 S	*	11/2017	Danforth	D14/447

2010/0294900 A1* 11/2010 Maurer A45F 3/44
248/156
2017/0293206 A1* 10/2017 Wood G03B 17/561
2017/0301230 A1* 10/2017 Liu G08C 17/02

OTHER PUBLICATIONS

Flashpoint Ballhead Reflector Holder FPX-BK-PR01. [online] Published on Aug. 31, 2015. Retrieved Nov. 22, 2017 from URL: https://www.adorama.com/fpxbkpr01.html?gclid=EAlalQobChMl6c-6oODS1wIVCUsNCh28OQ_nEAQVAiABEglO9vD_BwE.*
Westcott Illuminator Arm Extreme 5571 B&H Photo Video. [online] Published on Jan. 14, 2015. Retrieved Nov. 22, 2017 from URL: https://www.bhphotovideo.com/bnh/controller/home?A=details&O=&Q=&ap=y&c3api=1876%2C%7Bcreative%7D%2C%7Bkeyword%7D&gclid=EAlalQobChMl6c-6oODS1wIVCUsNCh28OQ_nEAQYCSABEgJktvD_BwE&is=REG&m=Y&sku=1086196.*

* cited by examiner

Primary Examiner — Vy N Koenig

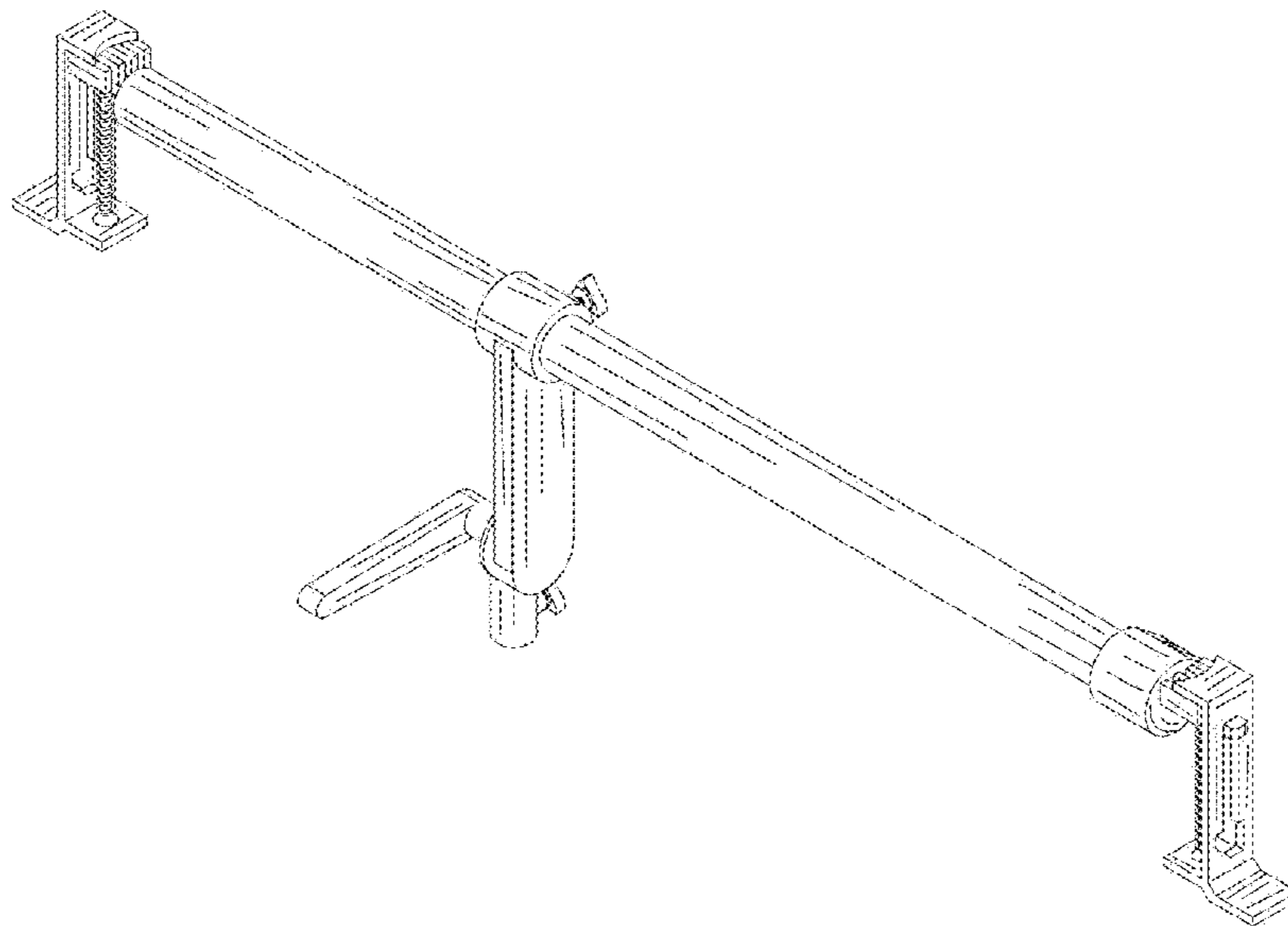
(57) **CLAIM**

The ornamental design for a photography reflector holder, as shown and described.

DESCRIPTION

FIG. 1 is top right perspective view of a photography reflector holder showing my new design;
FIG. 2 is a top left perspective view thereof;
FIG. 3 is a bottom left perspective view thereof;
FIG. 4 is a front view thereof;
FIG. 5 is a back view thereof;
FIG. 6 is a top view thereof;
FIG. 7 is a bottom view thereof;
FIG. 8 is a left view thereof; and,
FIG. 9 is a right view thereof.

1 Claim, 9 Drawing Sheets



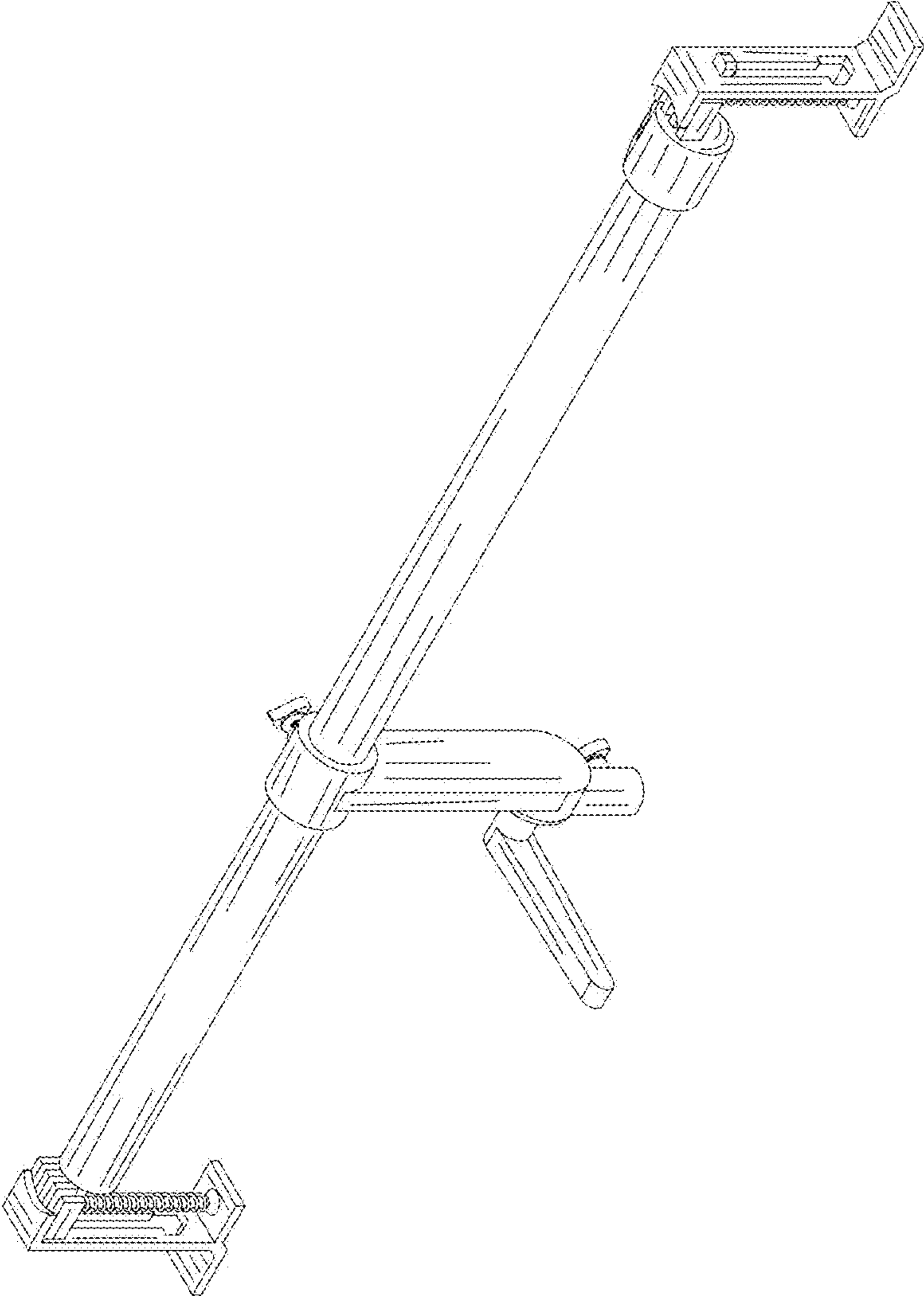


FIG. 1

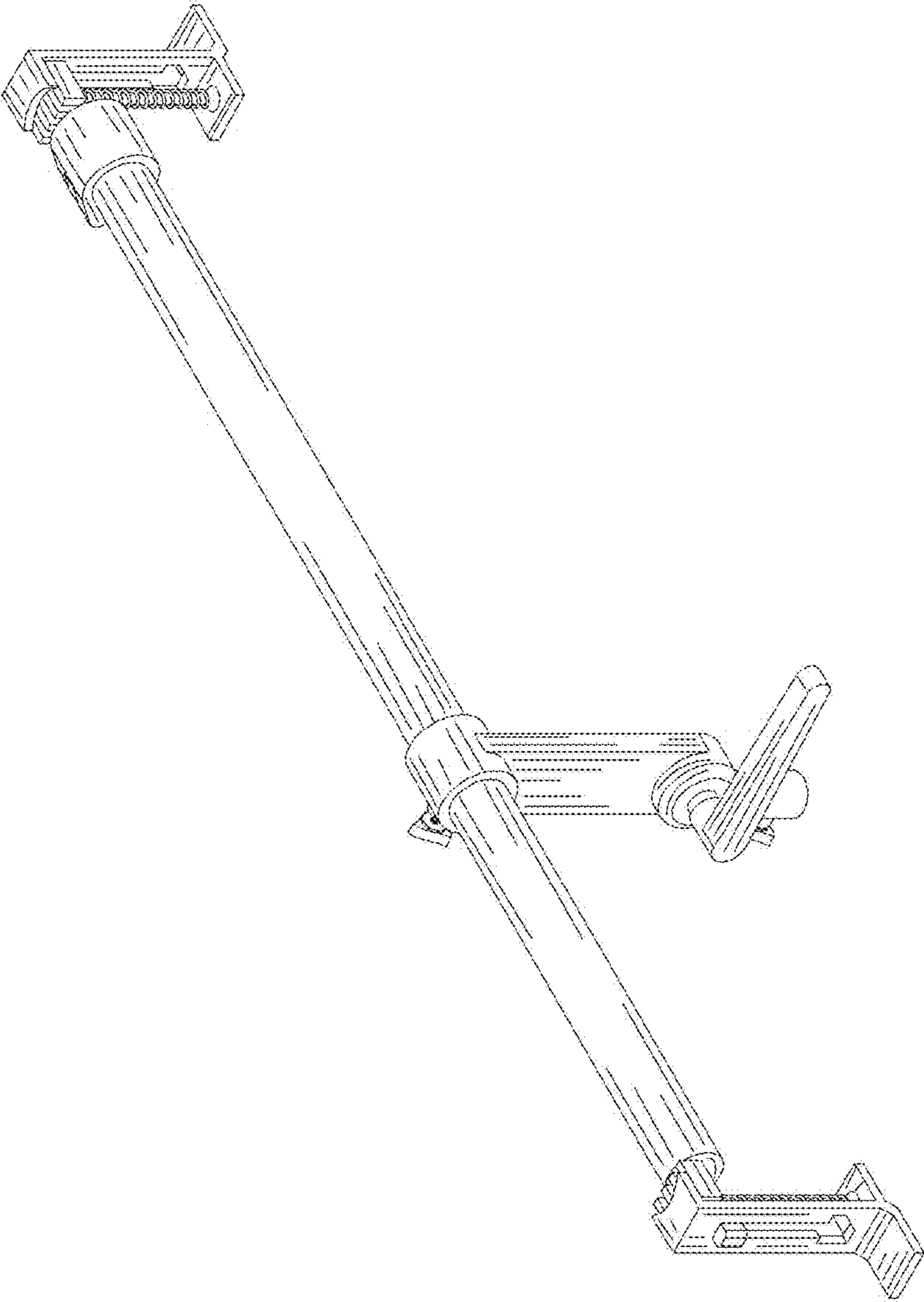


FIG. 2

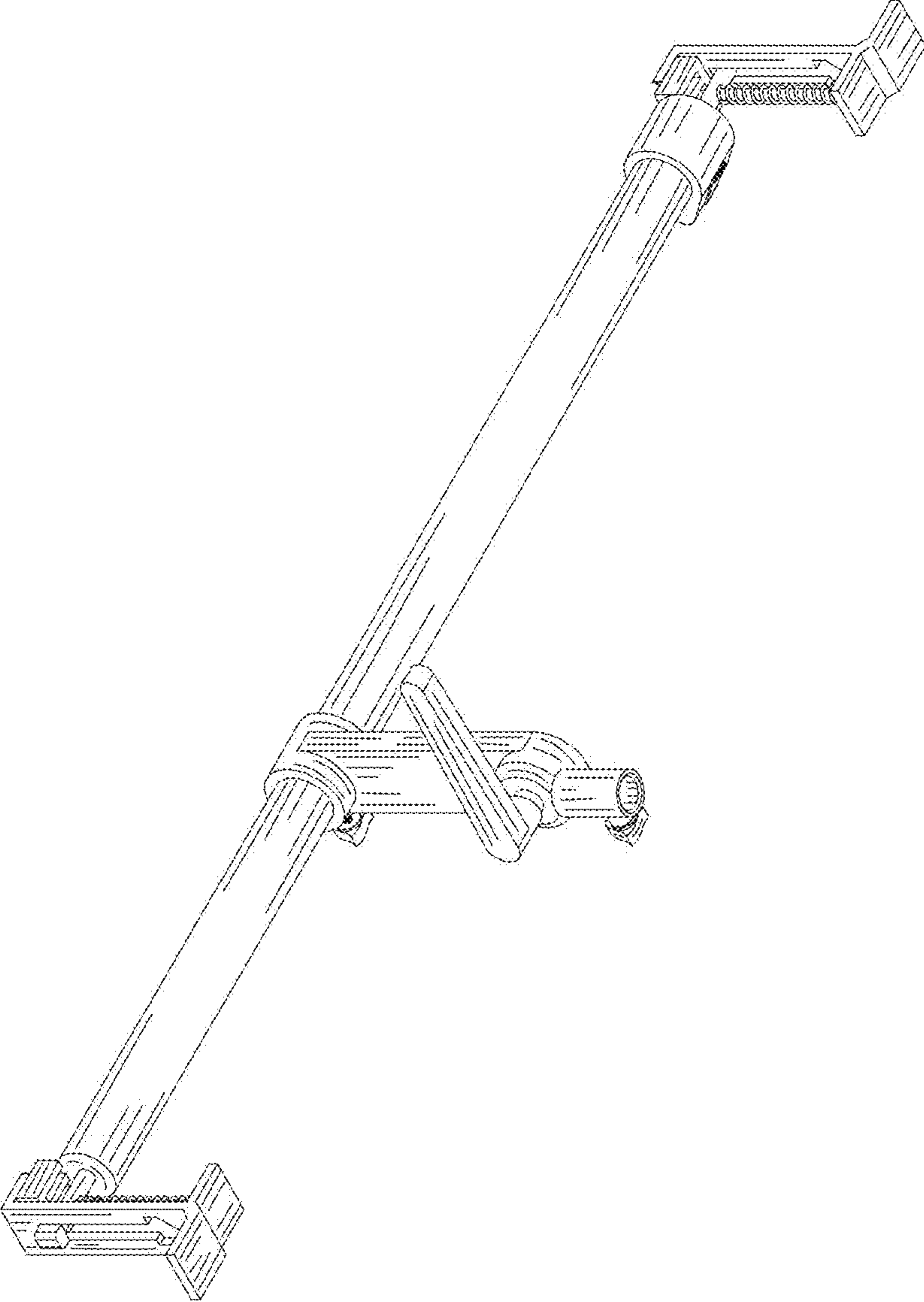


FIG. 3

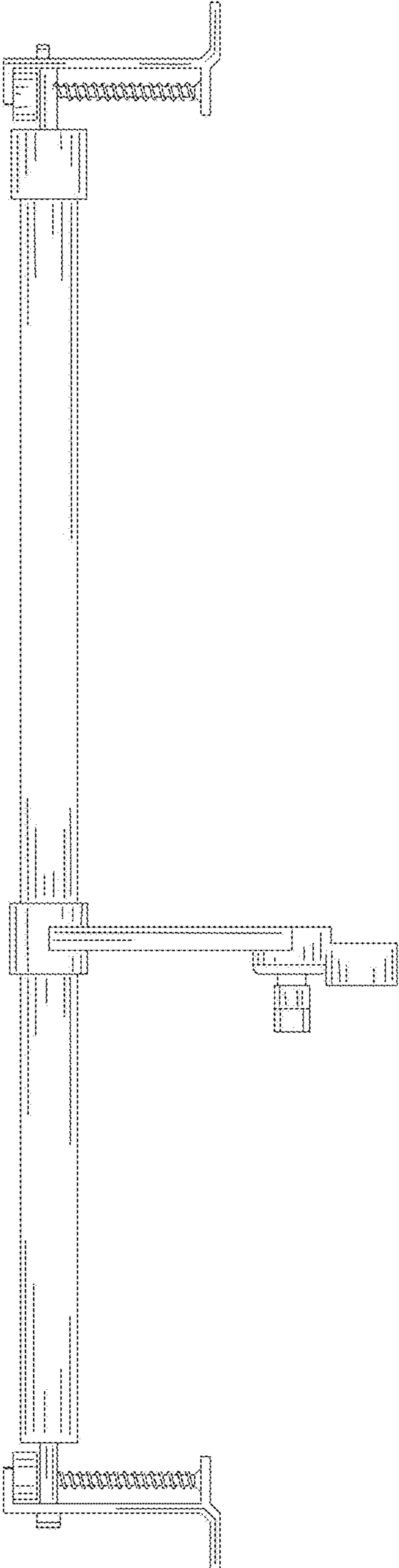


FIG. 4

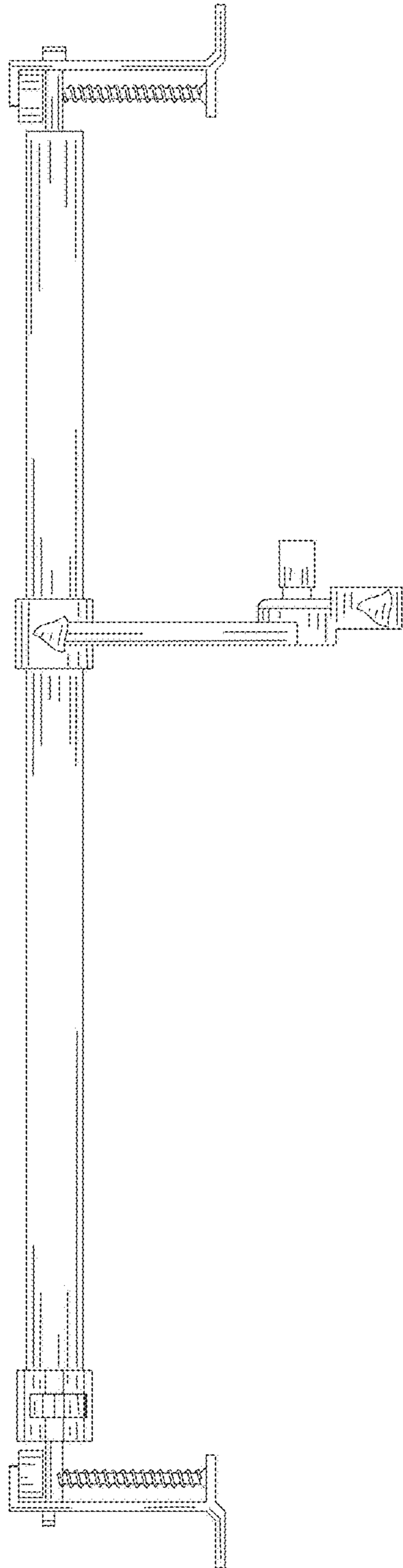


FIG. 5

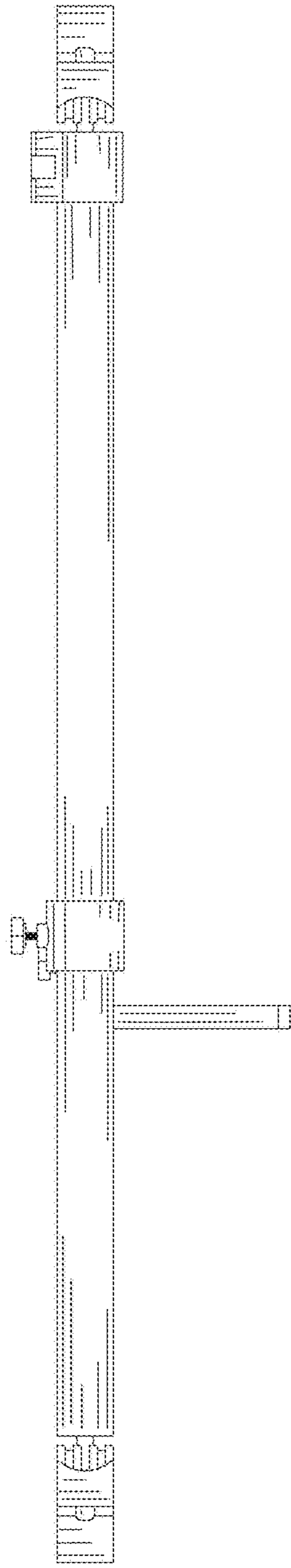


FIG. 6

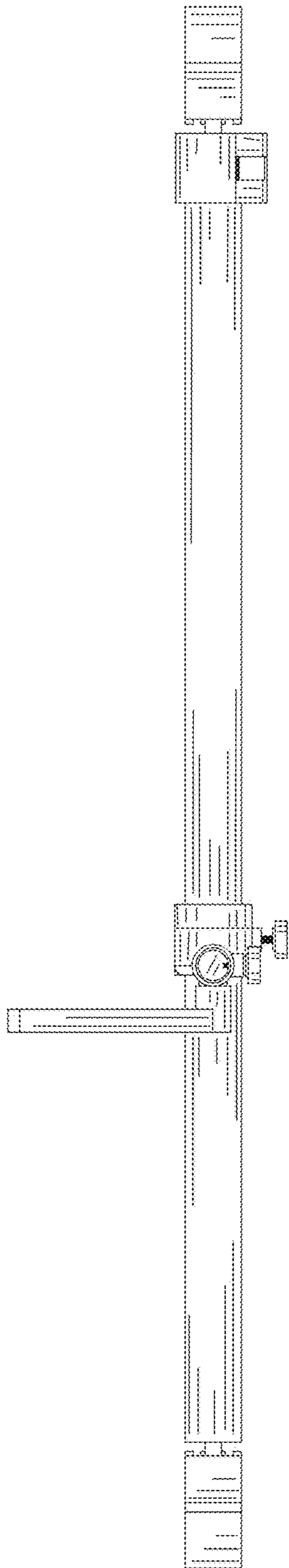


FIG. 7

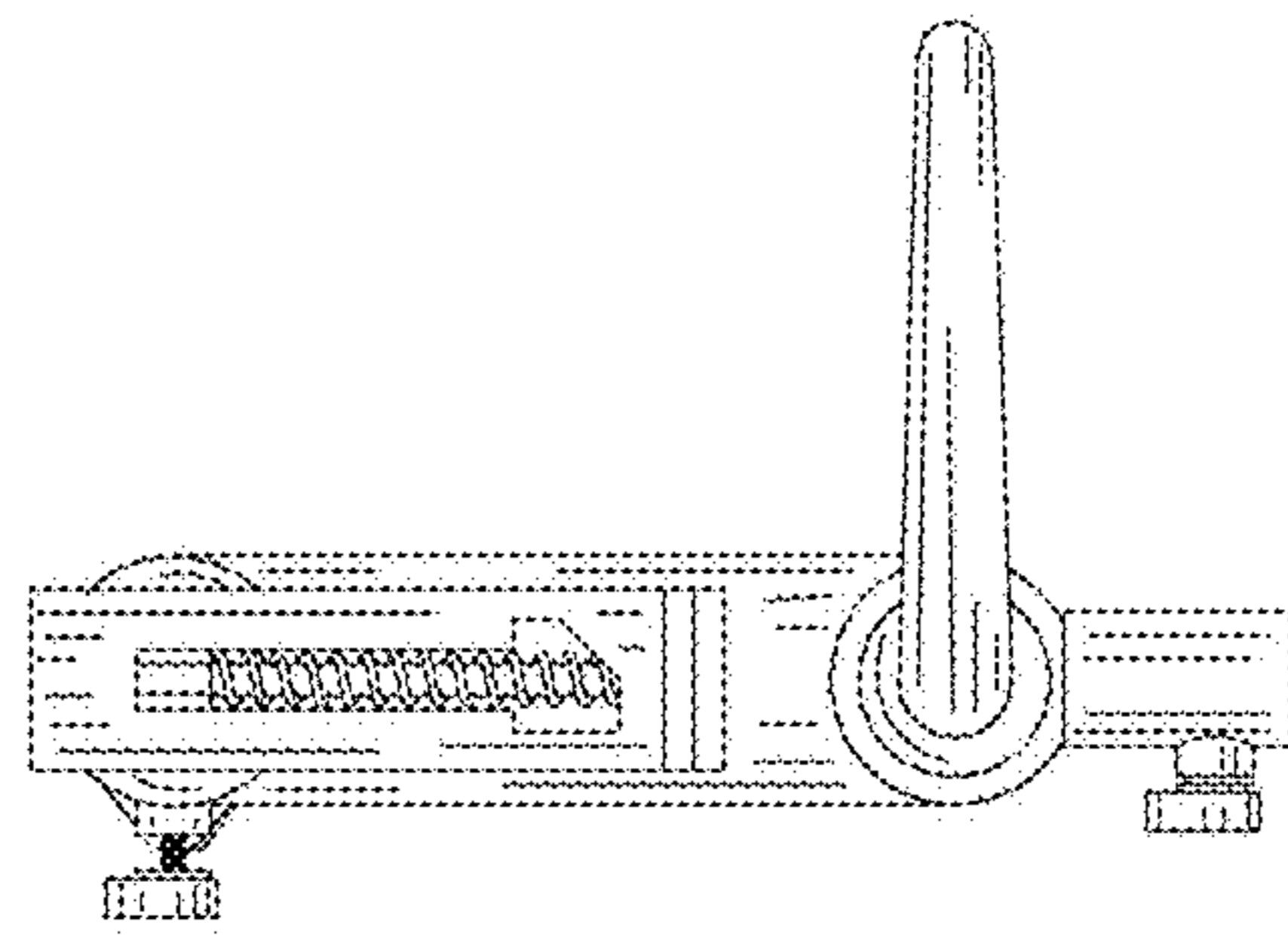


FIG. 8

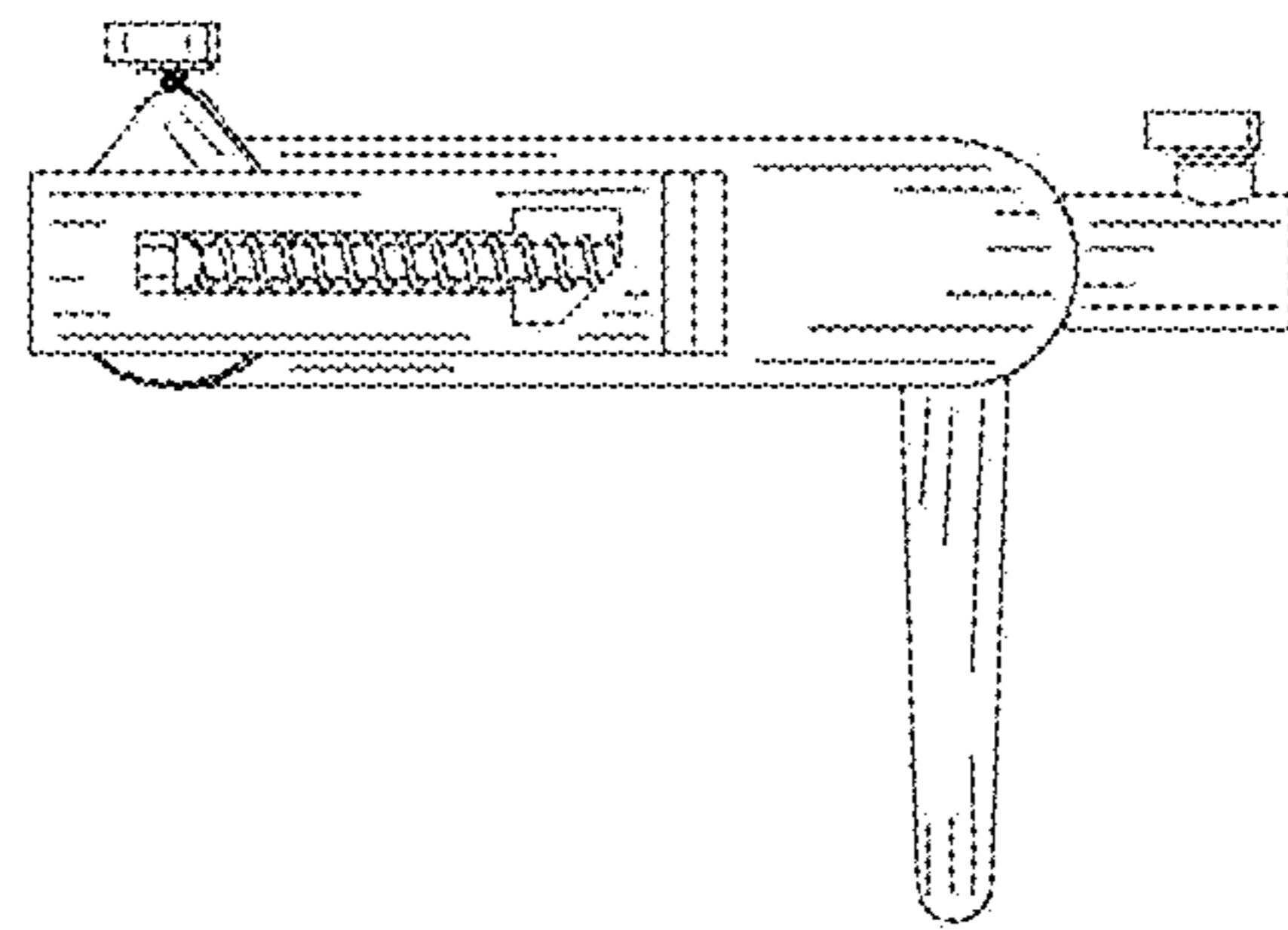


FIG. 9