



US00D812674S

(12) **United States Design Patent**  
**Kaiser**

(10) **Patent No.:** **US D812,674 S**  
(45) **Date of Patent:** **\*\* Mar. 13, 2018**

(54) **TABLE WITH IMAGE AND PROJECTOR**

(71) Applicant: **Scott D. Kaiser**, Kansas City, MO (US)

(72) Inventor: **Scott D. Kaiser**, Kansas City, MO (US)

(\*\*) Term: **15 Years**

(21) Appl. No.: **29/535,958**

(22) Filed: **Aug. 12, 2015**

(51) **LOC (11) Cl.** ..... **16-02**

(52) **U.S. Cl.**  
USPC ..... **D16/225**; D16/221

(58) **Field of Classification Search**  
USPC ..... D16/221, 225, 229–231, 232, 234–235;  
D21/514, 783–784; D6/686  
CPC ..... G03B 21/145; G03B 21/14; G03B 21/10;  
G03B 21/00; G03B 21/2013; G03B  
21/202; G03B 21/2026; G03B 21/2033  
See application file for complete search history.

(56) **References Cited**

**U.S. PATENT DOCUMENTS**

1,164,937	A *	12/1915	Gillam	.....	G03B 21/10 353/74
1,290,947	A *	1/1919	Erskine	.....	G03B 21/00 116/246
6,056,406	A *	5/2000	Park	.....	G03B 21/10 352/69
7,374,292	B2 *	5/2008	Furumi	.....	G03B 21/10 353/119
7,450,086	B2 *	11/2008	Thielman	.....	G03B 21/145 345/32
2012/0092337	A1 *	4/2012	Tsao	.....	G03B 21/14 345/419

\* cited by examiner

*Primary Examiner* — Wan Laymon

(74) *Attorney, Agent, or Firm* — Polsinelli PC; Adam C. Rehm

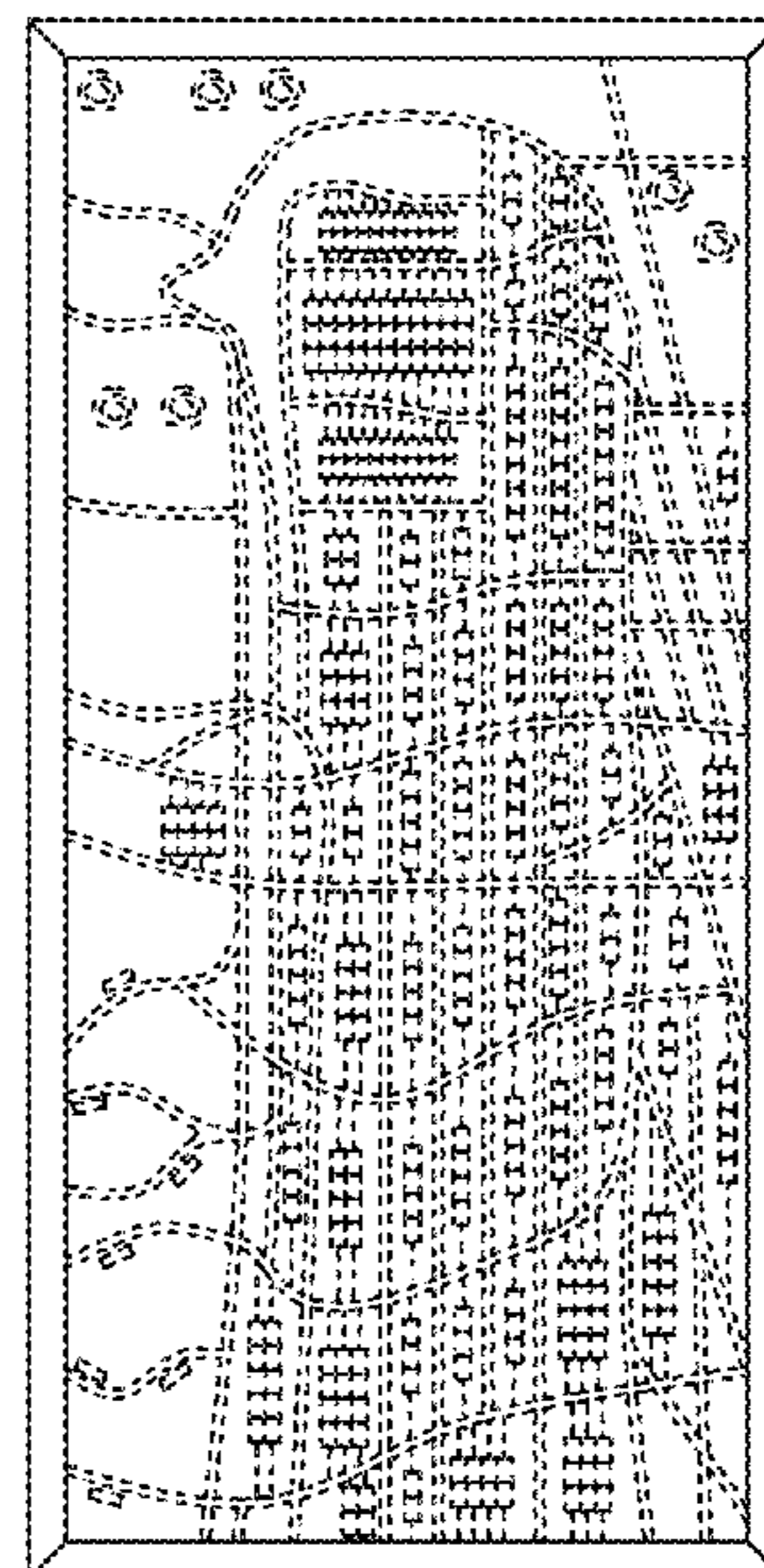
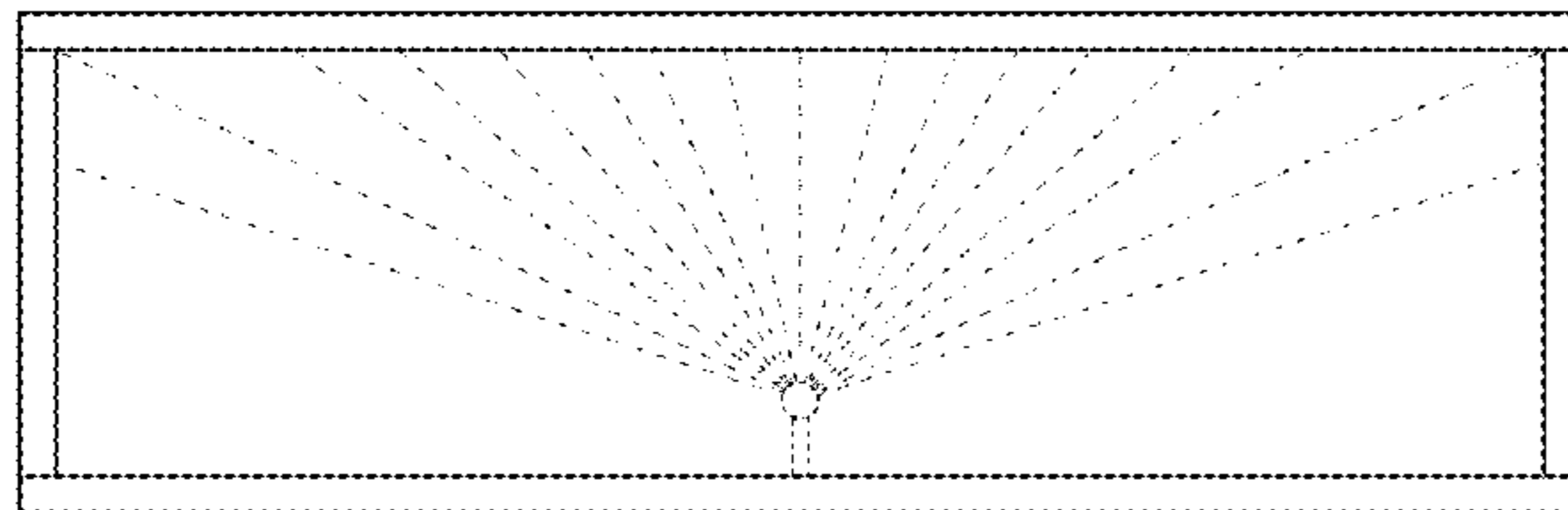
(57) **CLAIM**

The ornamental design for a table with image and projector, as shown and described.

**DESCRIPTION**

FIG. 1 is a left side perspective view of a table with image and projector showing a new design;  
 FIG. 2 is a front elevation view of the table with image and projector shown in FIG. 1, the rear elevation view being a mirror image of FIG. 2;  
 FIG. 3 is a left side elevation view of the table with image and projector shown in FIG. 1, the right side elevation view being a mirror image of FIG. 3;  
 FIG. 4 is a top plan view of the table with image and projector shown in FIG. 1;  
 FIG. 5 is a bottom plan view of the table with image and projector shown in FIG. 1;  
 FIG. 6 is a left side perspective view of a table with image and projector showing another embodiment of the new design;  
 FIG. 7 is a front elevation view of the table with image and projector shown in FIG. 6, the rear elevation view being a mirror image of FIG. 7;  
 FIG. 8 is a left side elevation view of the table with image and projector shown in FIG. 6, the right side elevation view being a mirror image of FIG. 8;  
 FIG. 9 is a top plan view of the table with image and projector shown in FIG. 6; and,  
 FIG. 10 is a bottom plan view of the table with image and projector shown in FIG. 6.  
 The broken lines shown on the drawings are included for the purpose of illustrating environment and portions of the table with image and projection; the broken lines form no part of the claimed design.

**1 Claim, 10 Drawing Sheets**



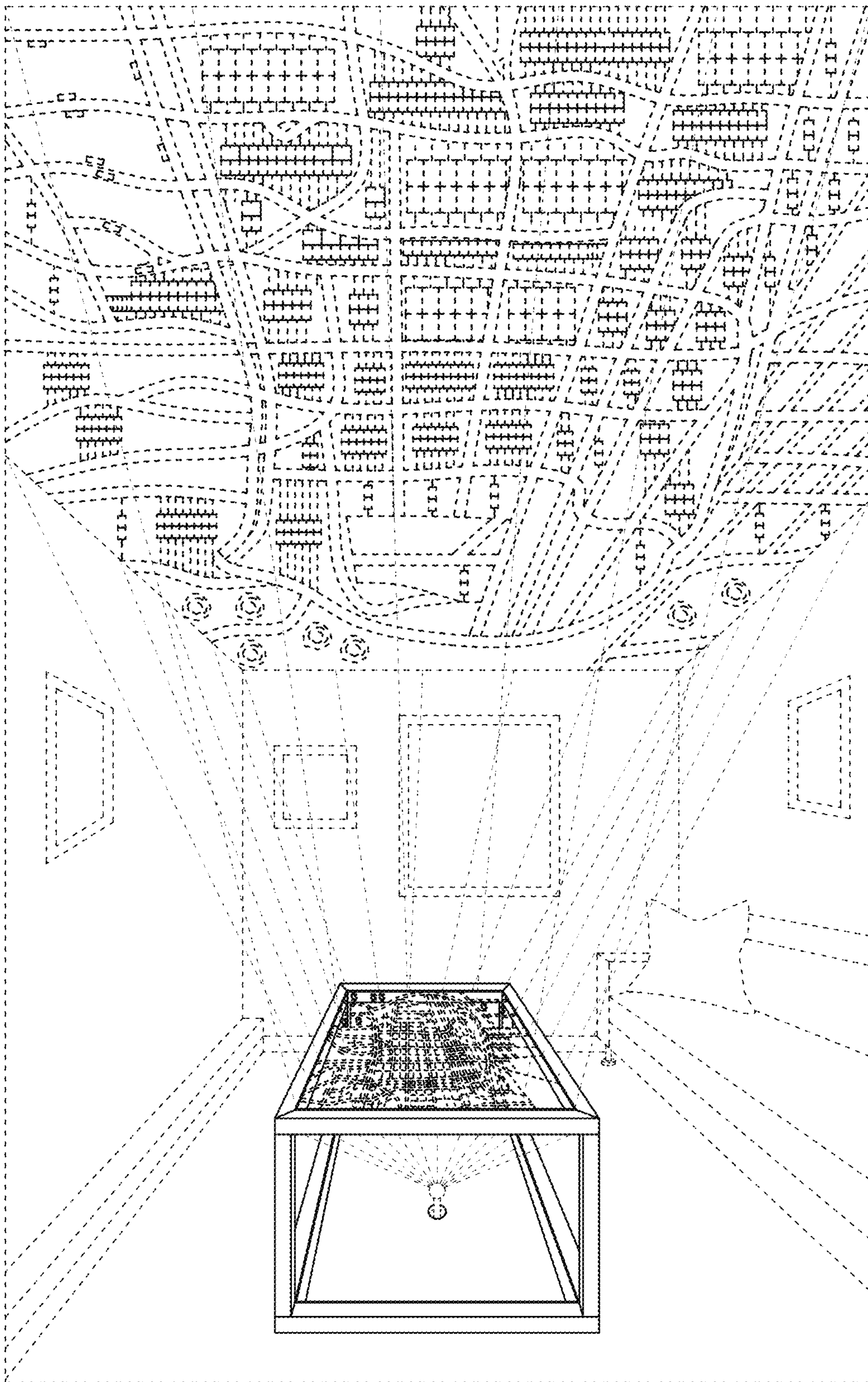


FIG. 1

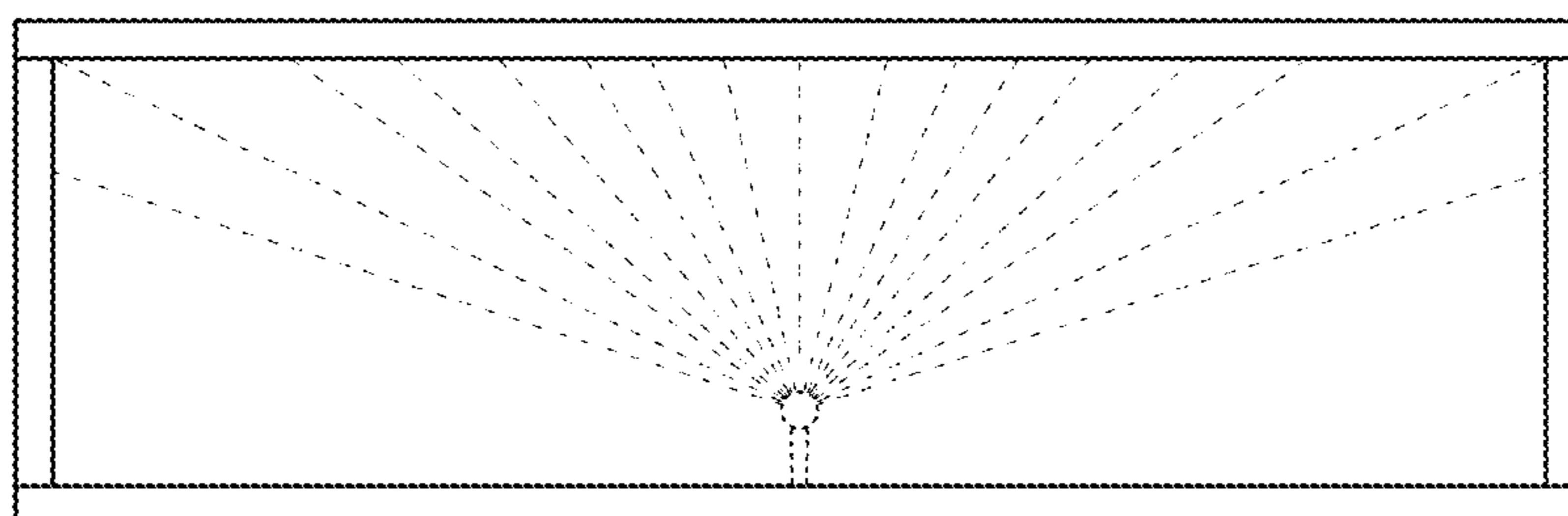


FIG. 2

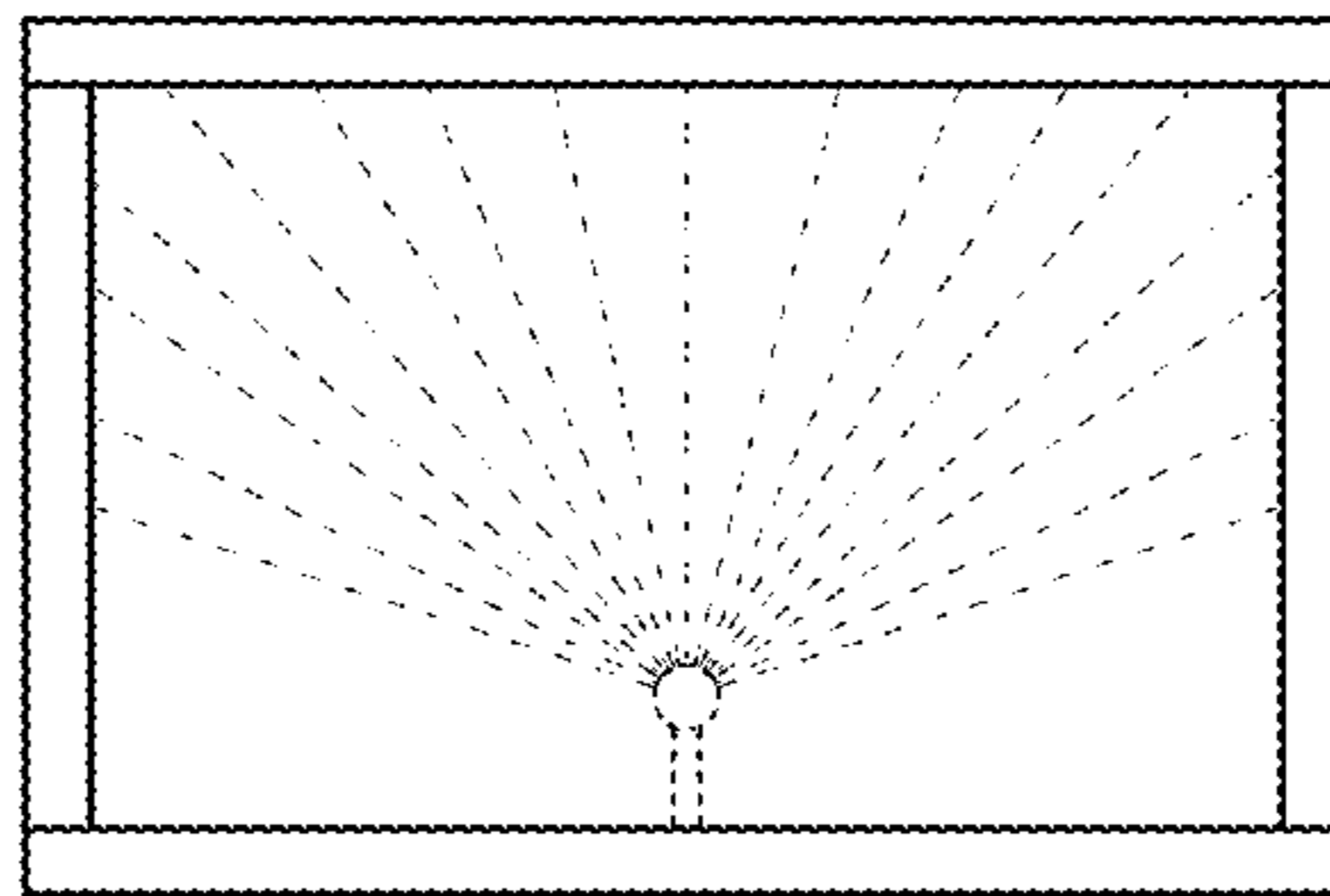


FIG. 3

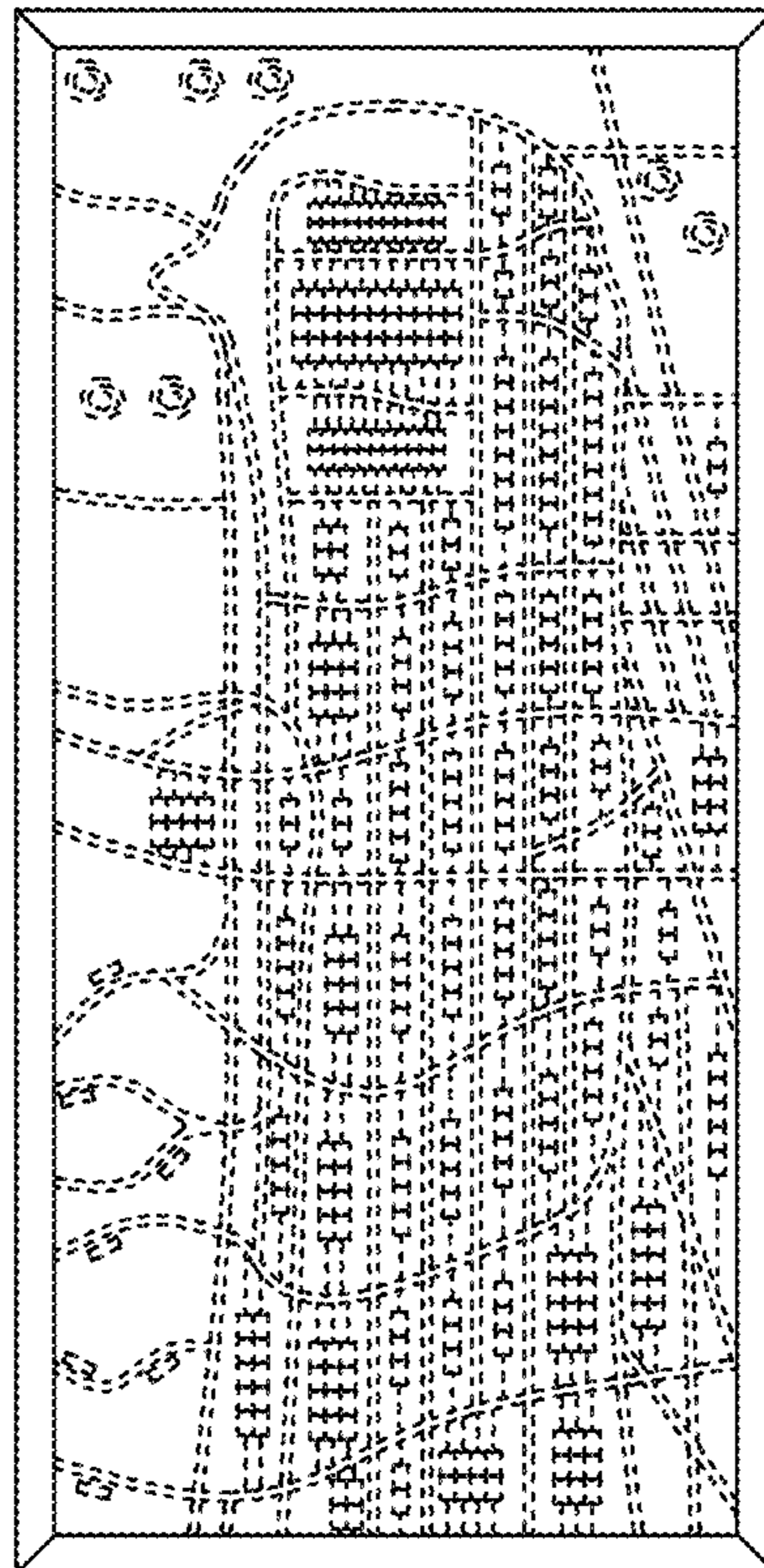


FIG. 4

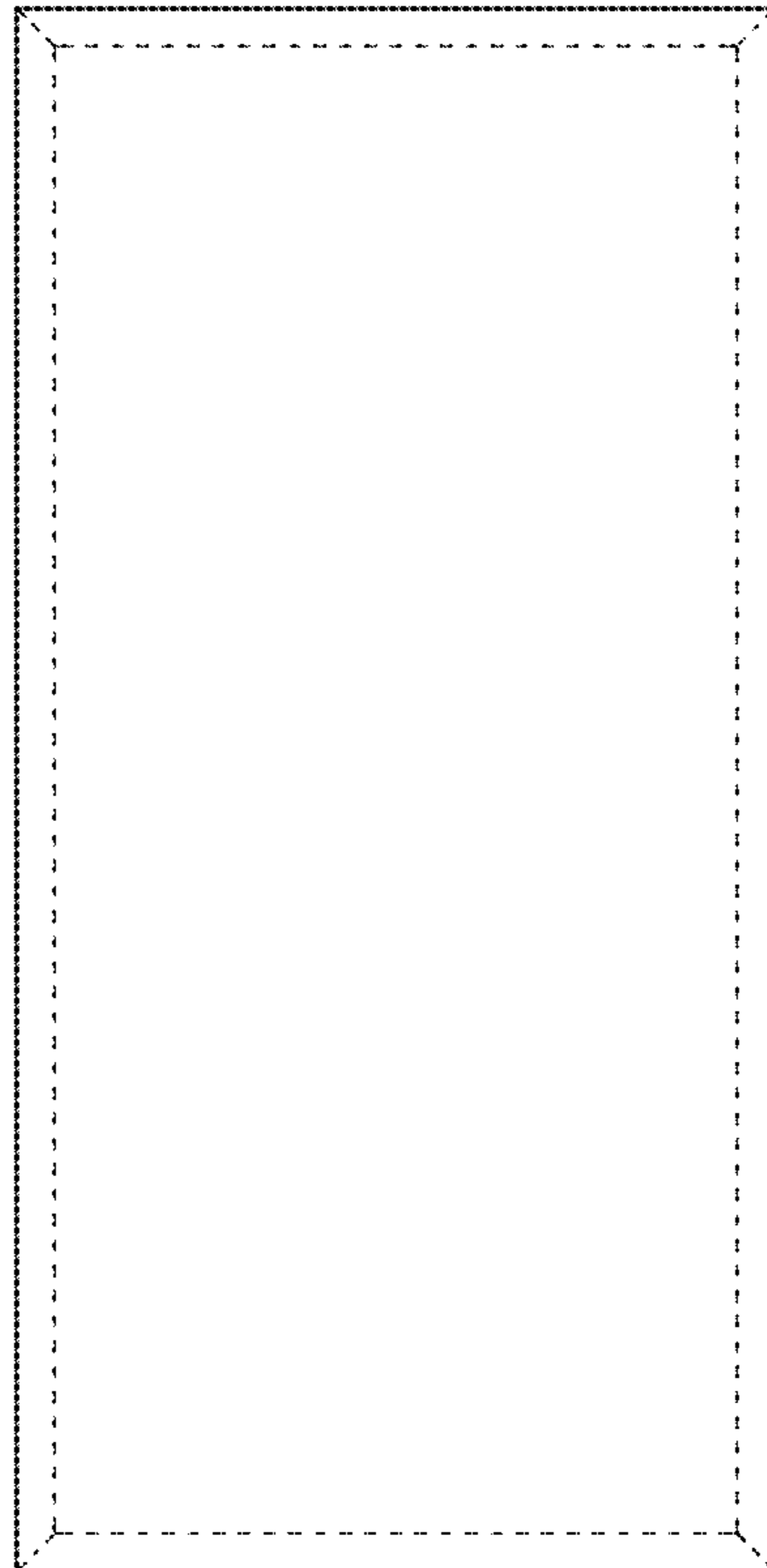


FIG. 5

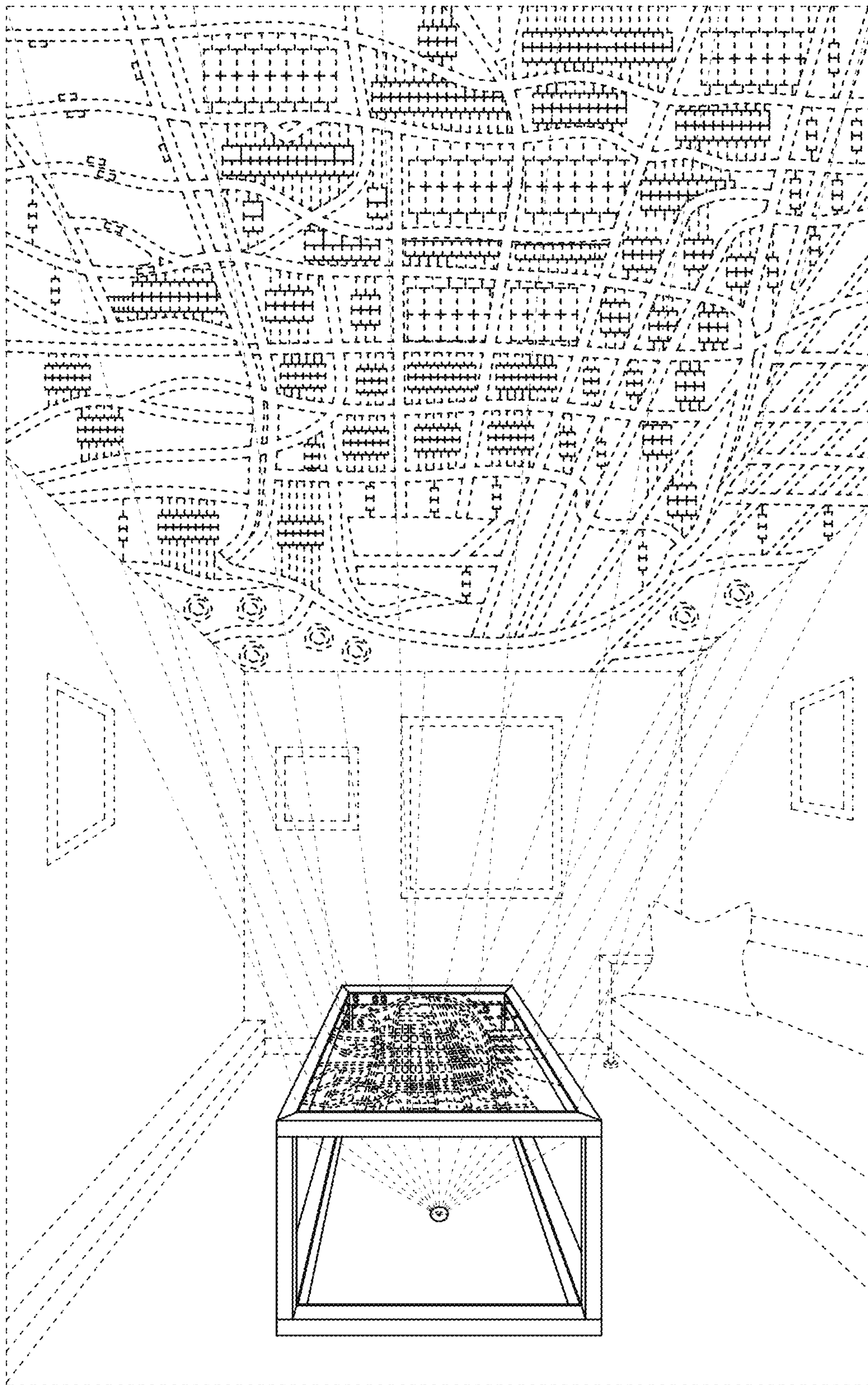


FIG. 6

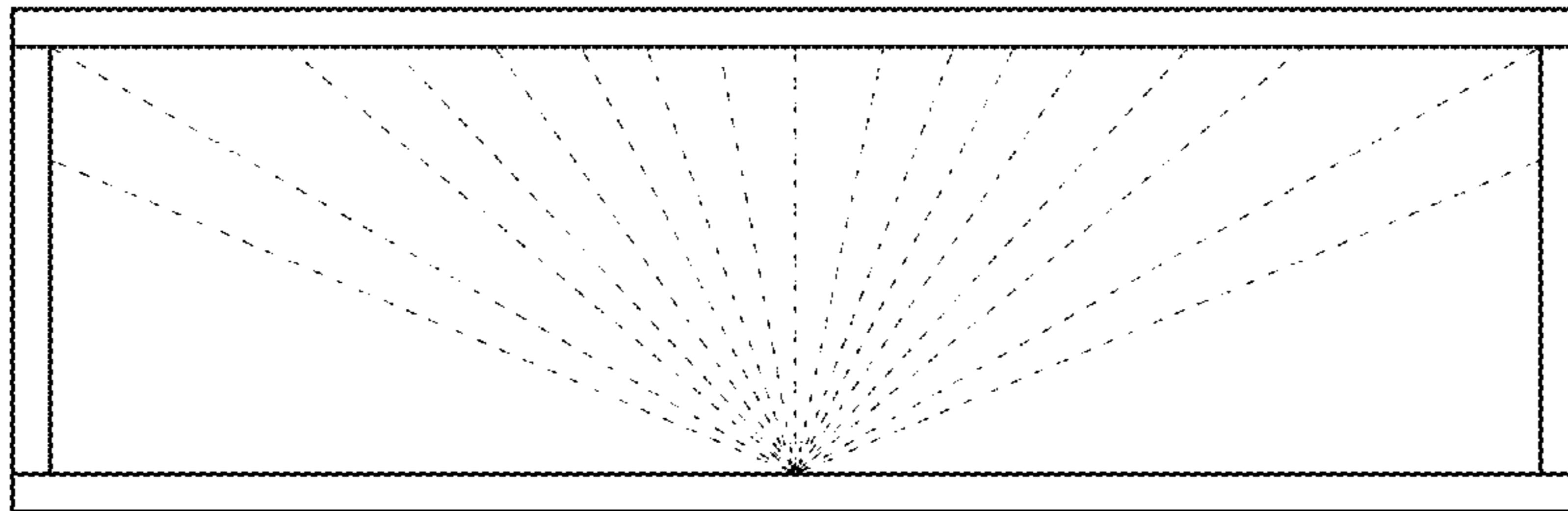


FIG. 7



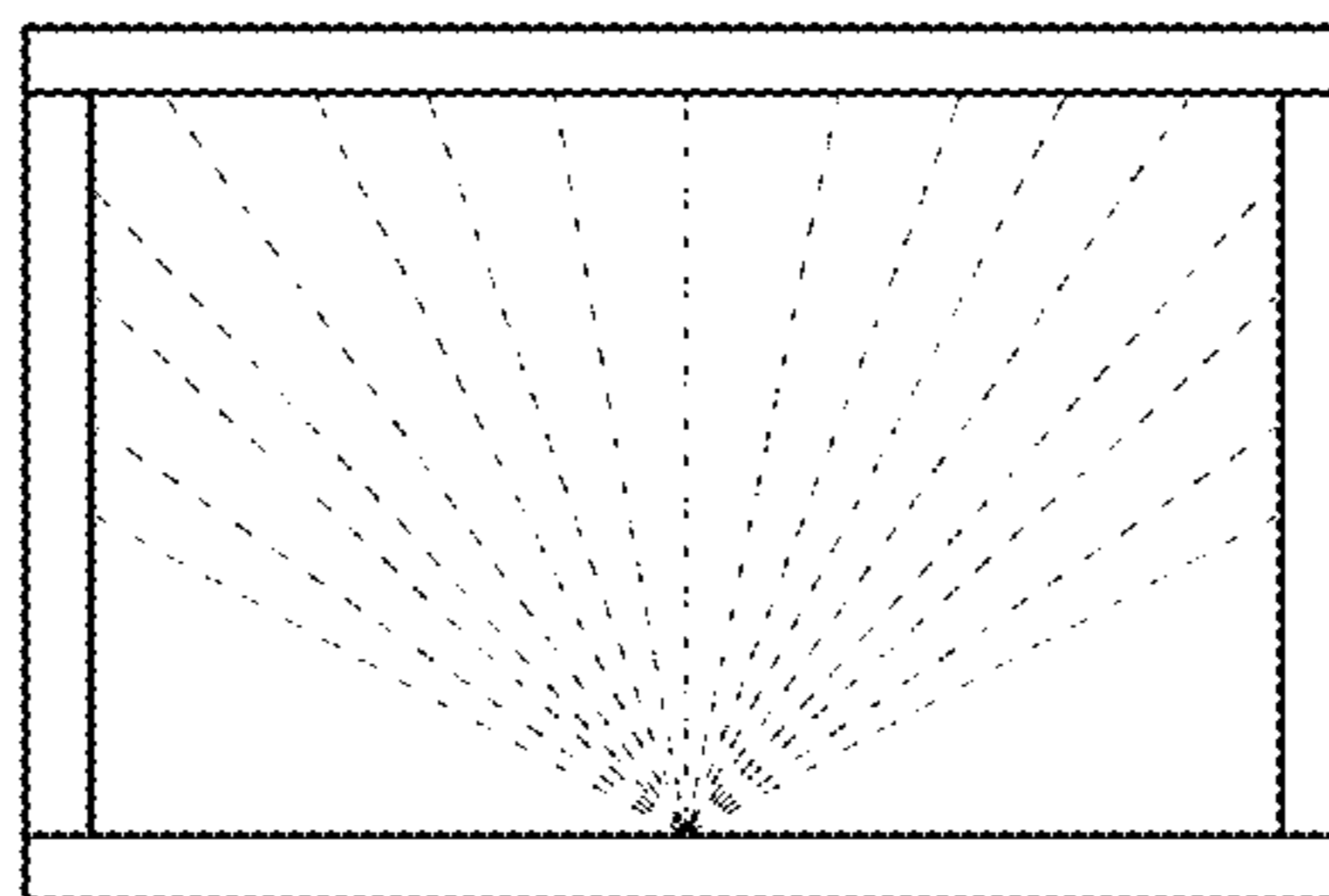


FIG. 8

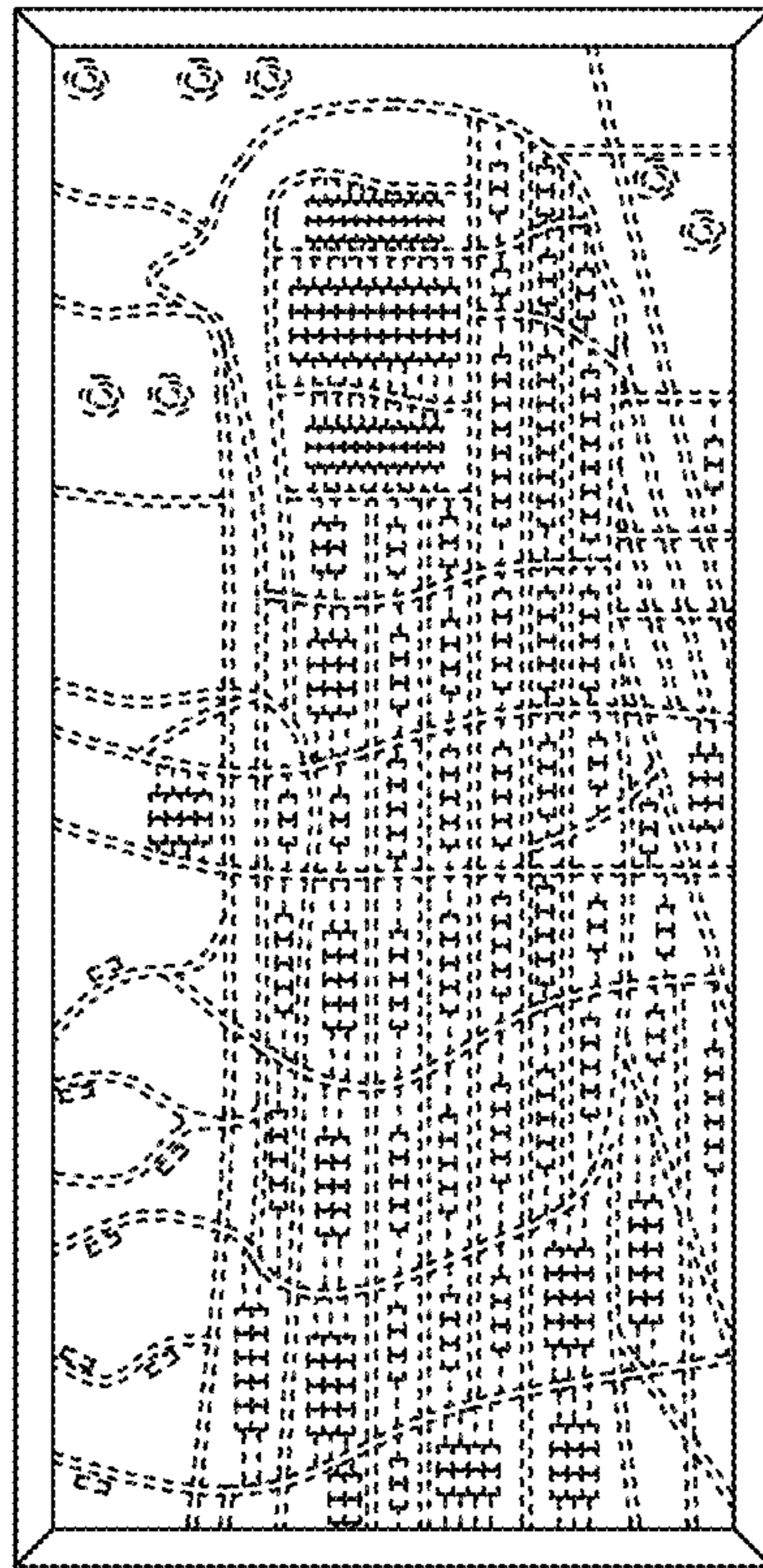


FIG. 9

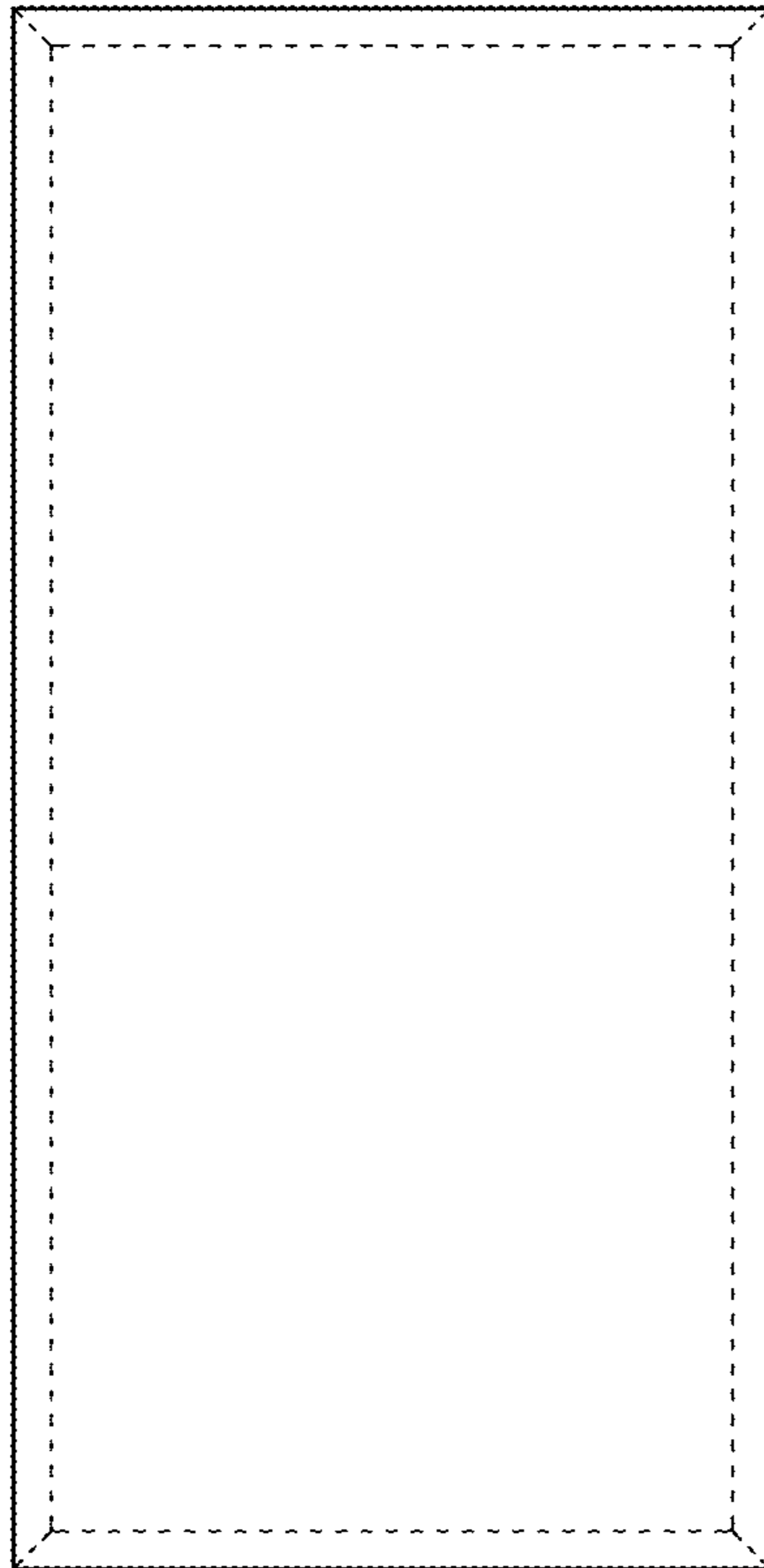


FIG. 10