



US00D812673S

(12) **United States Design Patent** (10) **Patent No.:** **US D812,673 S**
Andersson et al. (45) **Date of Patent:** **** Mar. 13, 2018**

(54) **MONITORING CAMERA**

(56) **References Cited**

(71) Applicant: **AXIS AB**, Lund (SE)

U.S. PATENT DOCUMENTS

(72) Inventors: **Mathias Andersson**, Hoganas (SE);
Ola Andersson, Helsingborg (SE);
Morten Bergstrom, Bjarred (SE); **Lina Carlsson**, Rydeback (SE); **Johan Hagg**, Lund (SE); **Rafael Portela**, Malmo (SE)

D461,485 S * 8/2002 Jones 396/427
D497,927 S * 11/2004 Arbuckle D16/203
(Continued)

(73) Assignee: **AXIS AB**, Lund (SE)

FOREIGN PATENT DOCUMENTS

(**) Term: **15 Years**

TW D153141 4/2013
WO 001703992-0001 5/2010
(Continued)

(21) Appl. No.: **29/551,403**

OTHER PUBLICATIONS

(22) Filed: **Jan. 13, 2016**

<http://www.panasonic.com/business/provideo/d2hbmvp550-3.asp>
(May 1, 2013).
(Continued)

Related U.S. Application Data

(62) Division of application No. 29/471,651, filed on Nov. 4, 2013, now Pat. No. Des. 750,682.

Primary Examiner — Philip S Hyder
Assistant Examiner — Ramzi Almatrahi
(74) *Attorney, Agent, or Firm* — Volpe and Koenig, P.C.

Foreign Application Priority Data

May 7, 2013 (EM) 001370662-01-05

(57) **CLAIM**

(51) **LOC (11) Cl.** **16-05**

(52) **U.S. Cl.**
USPC **D16/219**; D16/203

The ornamental design for a monitoring camera, as shown and described.

(58) **Field of Classification Search**

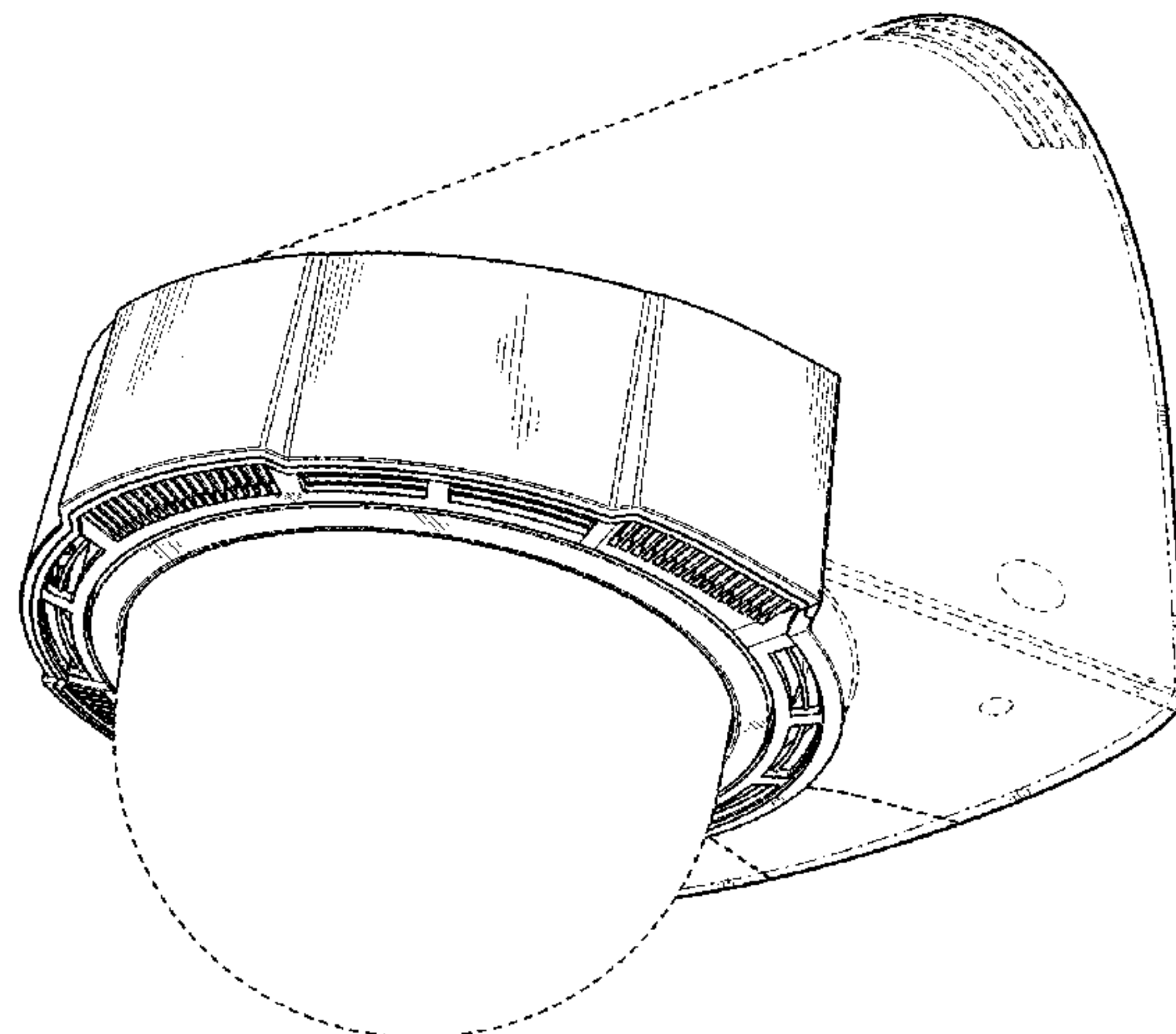
USPC D16/200, 202–206, 218, 219, 242;
348/143, 148, 151, 373–376; 396/419,
396/427, 535, 539–541
CPC G03B 17/02; G03B 19/04; G03B 17/56;
G03B 17/04; G03B 15/03; H04N 5/2251;
H04N 5/2252; H04N 5/2253; H04N
5/2254; H04N 7/181; H04N 7/183; H04N
7/18; G08B 13/1963; G08B 13/19619;
G08B 13/19632; F16M 11/04; F16M
13/00

DESCRIPTION

FIG. 1 is a bottom, front, right perspective view of a monitoring camera in accordance with our design; FIG. 2 is a front elevational view thereof; FIG. 3 is a left side elevational view thereof; FIG. 4 is a right side elevational view thereof; FIG. 5 is a top plan view thereof; FIG. 6 is a bottom plan view thereof; and, FIG. 7 is a rear elevational view thereof. The broken lines depict portions of a monitoring camera in which the designed is embodied and form no part of the claimed design. The dot-dash lines denote the boundary of the claim and form no part of the claimed design.

See application file for complete search history.

1 Claim, 7 Drawing Sheets



(56)

References Cited

U.S. PATENT DOCUMENTS

D503,183 S 3/2005 Arbuckle et al.
 D507,804 S 7/2005 Nagai
 D508,067 S 8/2005 Deguchi
 D527,405 S 8/2006 Kim et al.
 D560,244 S * 1/2008 Naruki D16/203
 D560,247 S 1/2008 Alm
 D577,758 S 9/2008 Ferris et al.
 D594,048 S * 6/2009 Yamakawa D16/203
 D612,883 S 3/2010 Yamakawa
 D615,115 S * 5/2010 Arnold D16/203
 D620,513 S 7/2010 Richards
 D628,225 S 11/2010 Deurwaarder
 D636,804 S 4/2011 Anneback et al.
 D636,805 S 4/2011 Anneback et al.
 D639,328 S 6/2011 Zeinoun et al.
 D639,843 S 6/2011 Zeinoun et al.
 D655,328 S 3/2012 Anneback et al.
 D662,120 S 6/2012 Deurwaarder
 D690,345 S 9/2013 Seo et al.

D702,275 S 4/2014 Ying
 D705,334 S 5/2014 Fransson et al.
 D708,654 S 7/2014 Tani
 D725,172 S * 3/2015 Katori D16/203
 D744,570 S 12/2015 Criscuolo et al.
 D753,752 S 4/2016 Ahman et al.
 D753,753 S * 4/2016 Moon D16/203
 D782,557 S * 3/2017 Ahman D16/203

FOREIGN PATENT DOCUMENTS

WO 001703992-002 5/2010
 WO 001703992-003 5/2010

OTHER PUBLICATIONS

<http://www.ecvv.com/product/3880520.html> (May 1, 2013).
<http://www.overview.co.uk/products/standard-products/18-limpet-wallmount.html> (May 1, 2013).

* cited by examiner

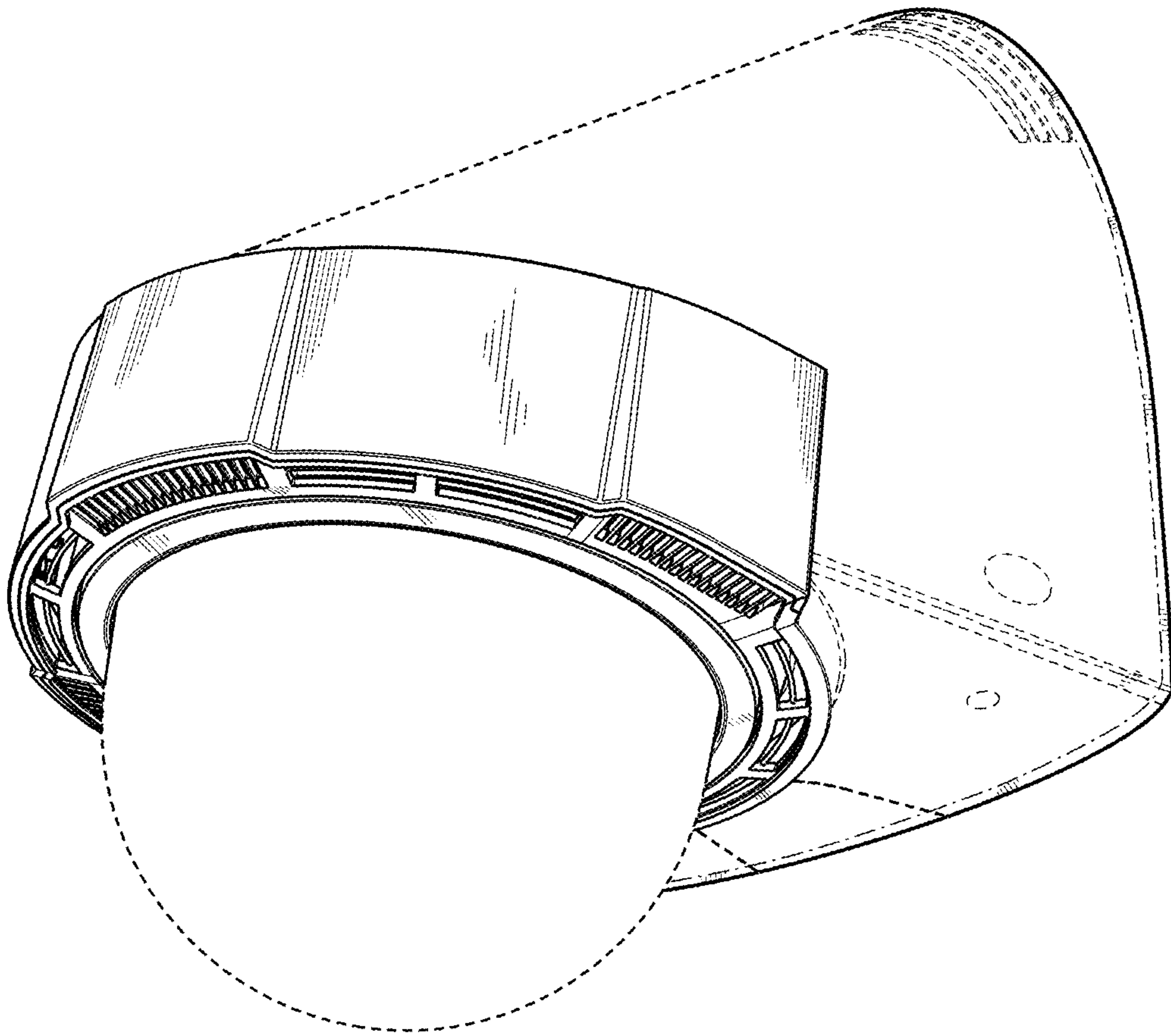


Fig. 1

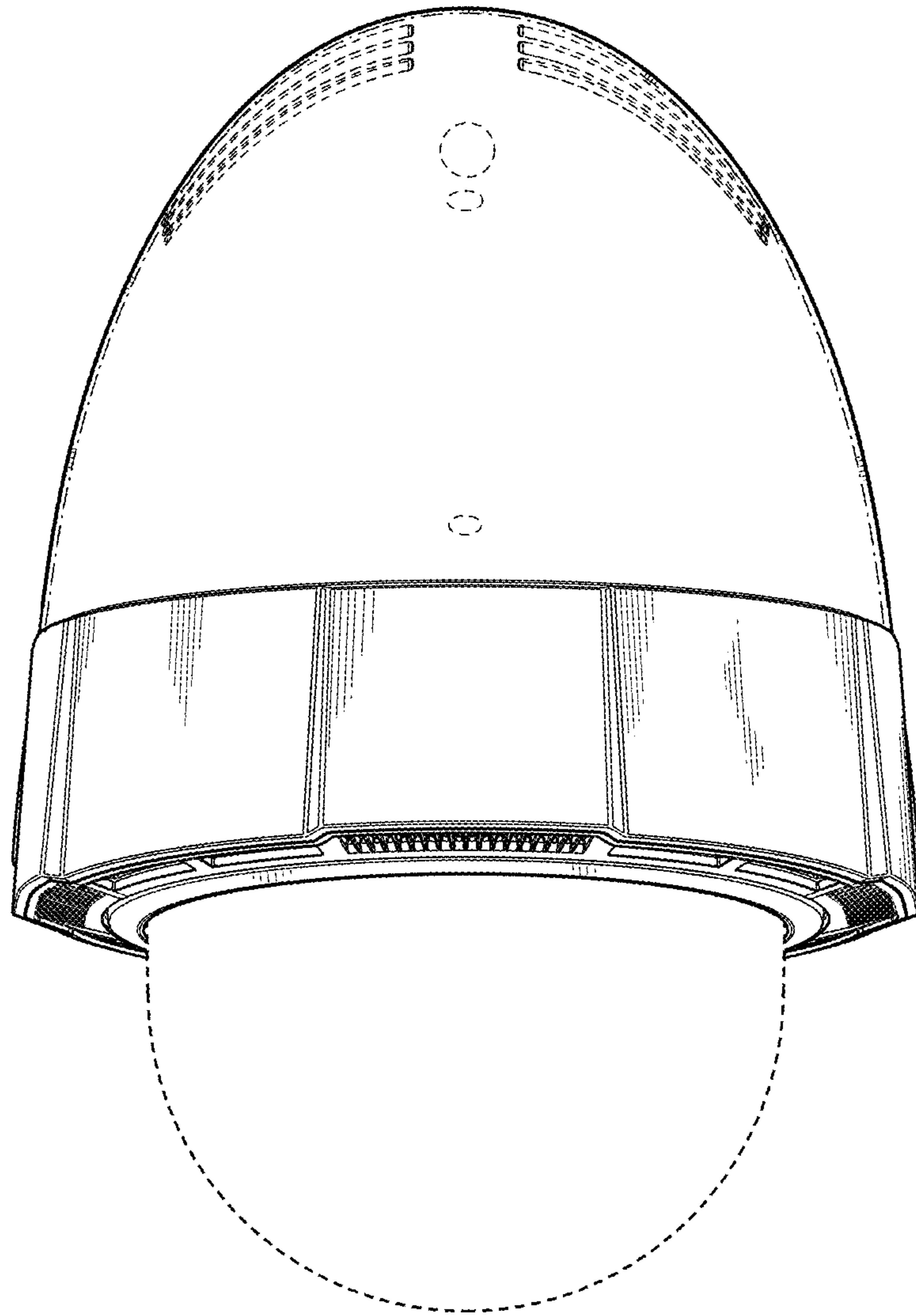


Fig. 2

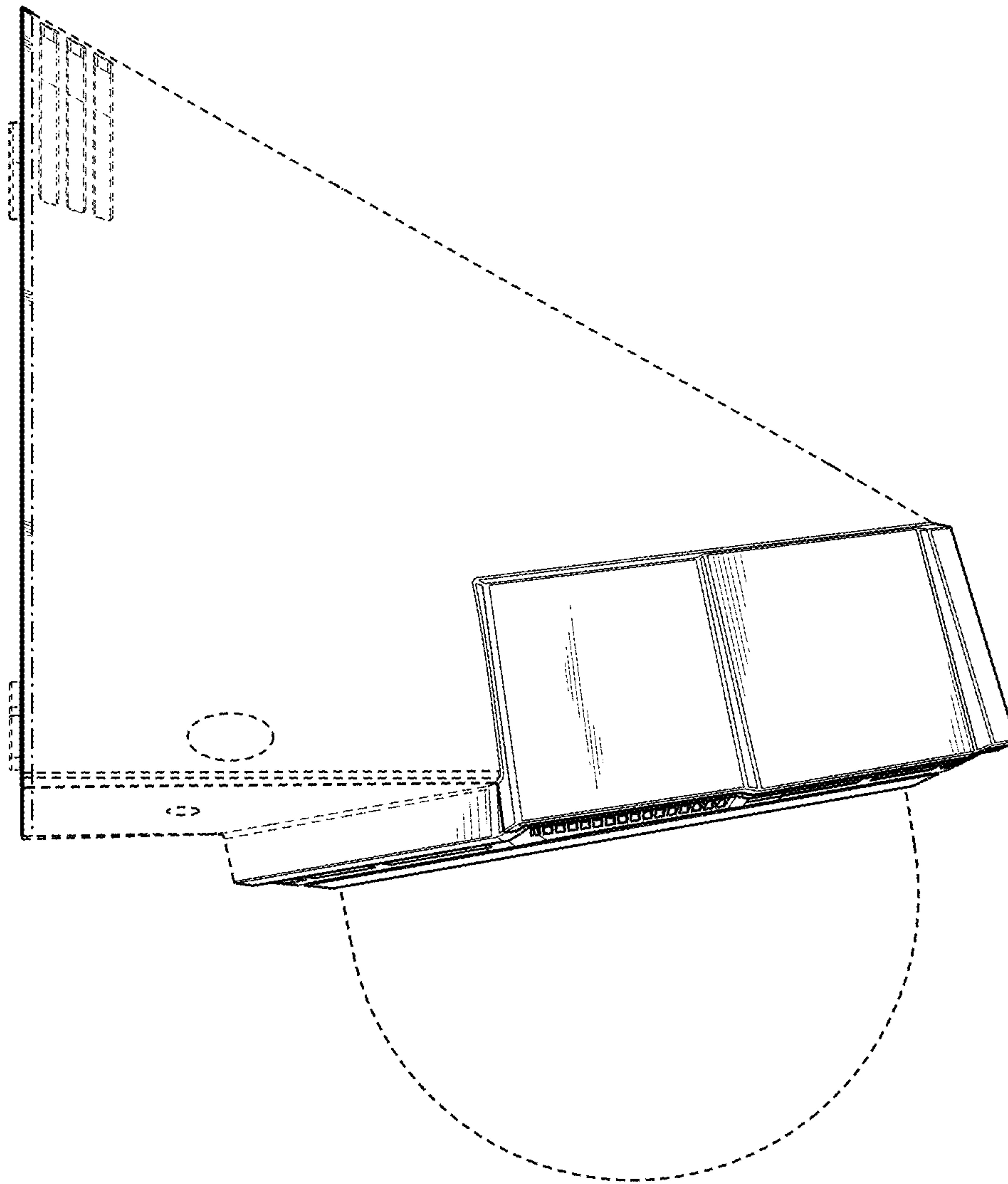


Fig. 3

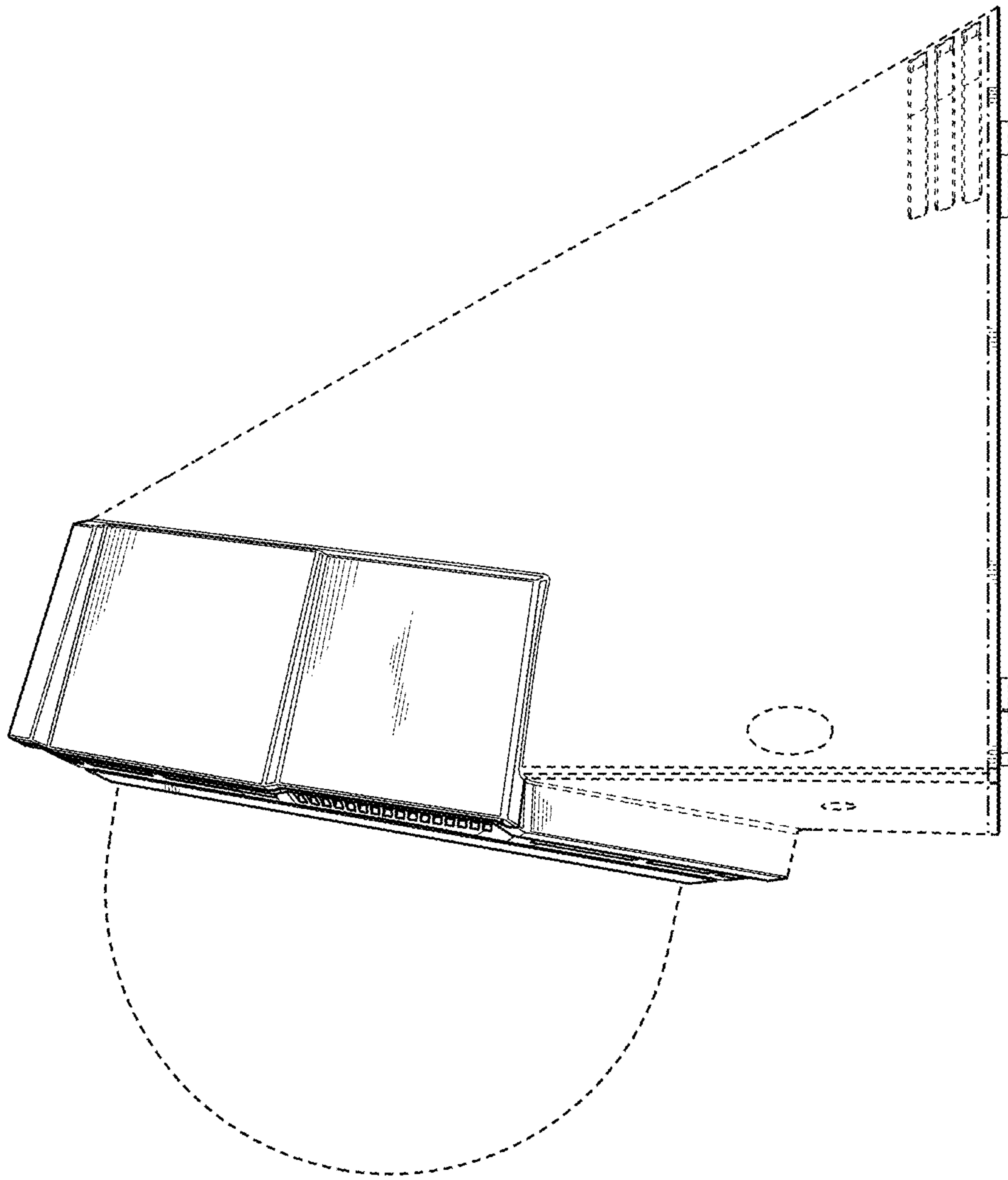


Fig. 4

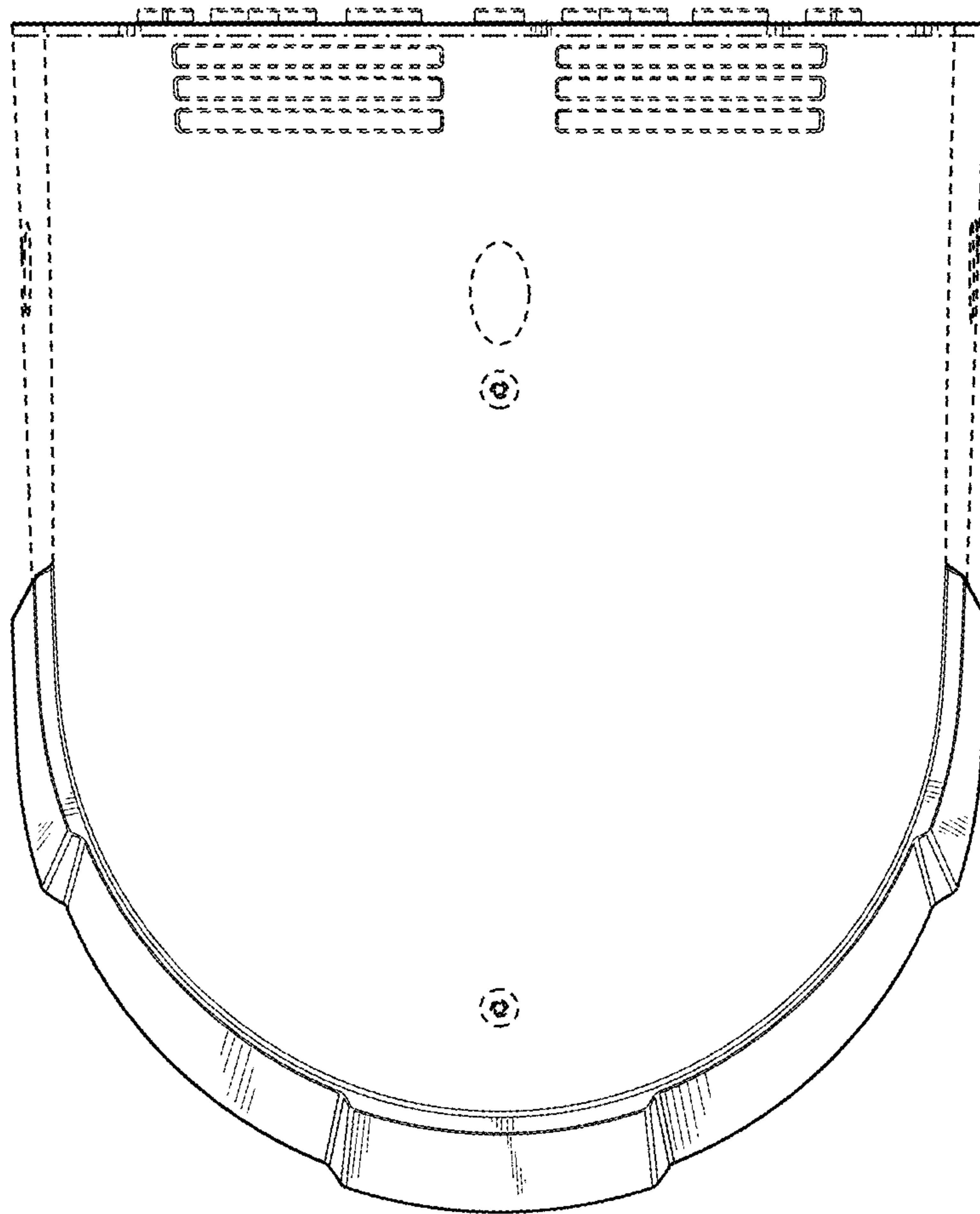


Fig. 5

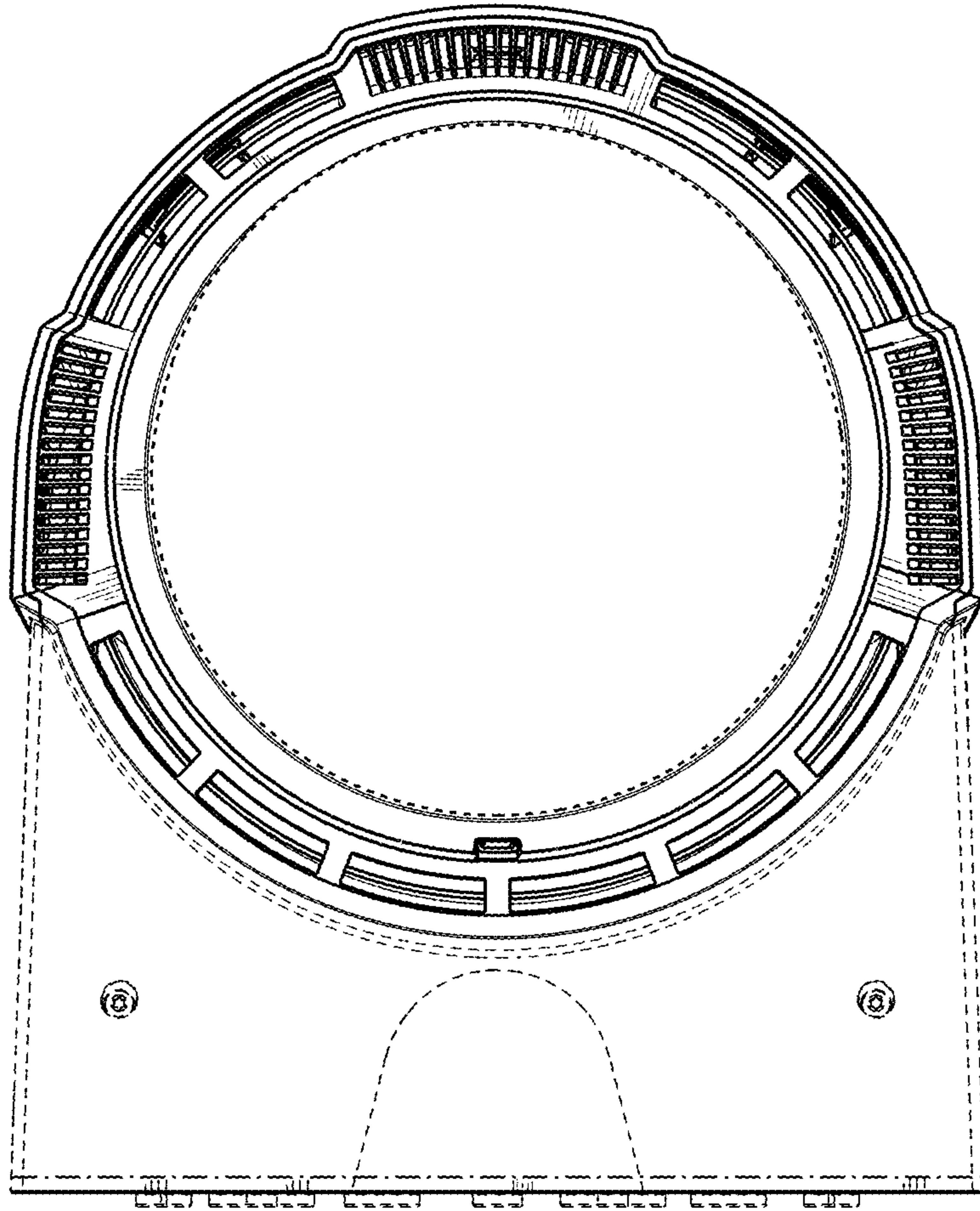


Fig. 6

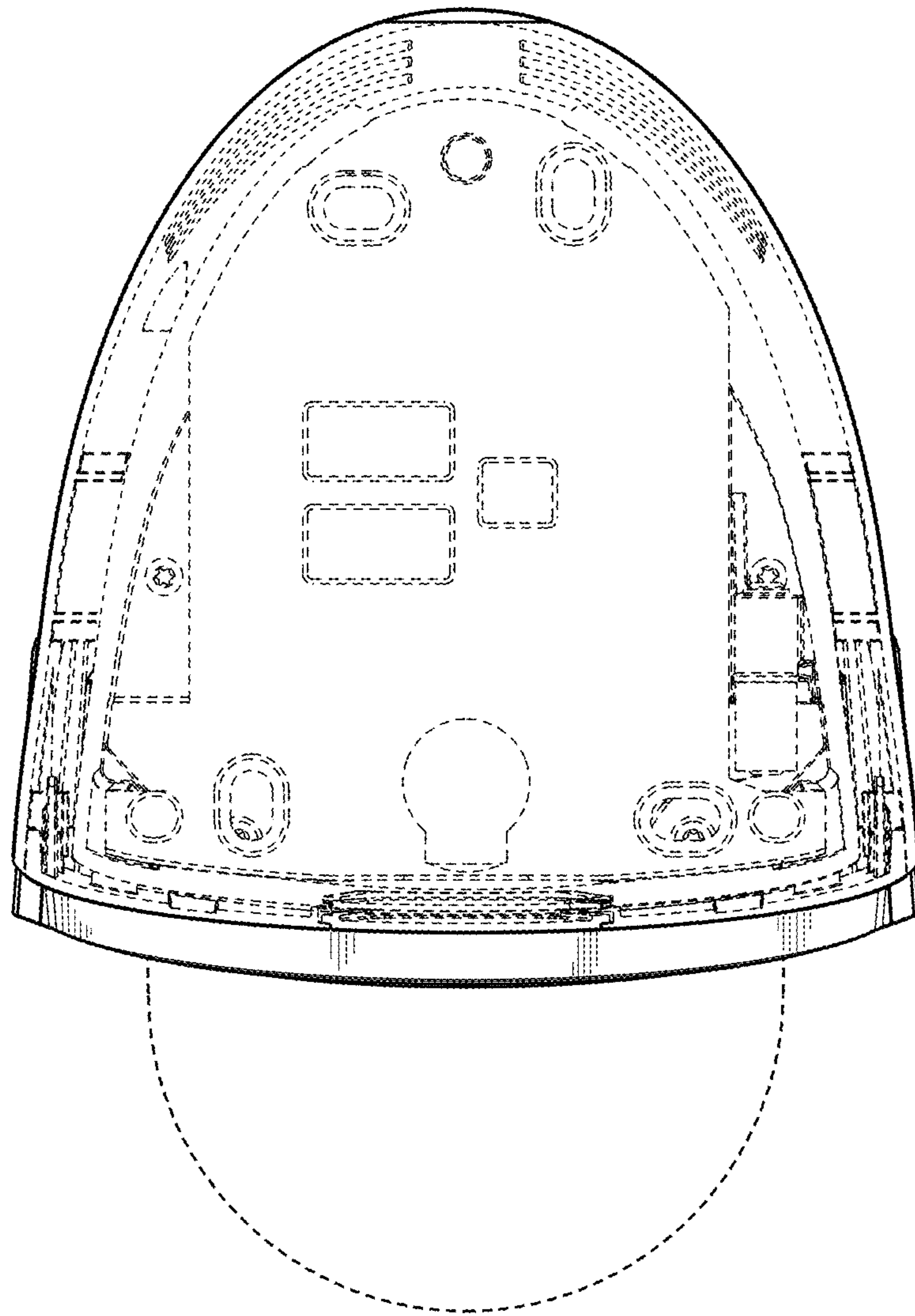


Fig. 7