



US00D812672S

(12) **United States Design Patent**
Patulski et al.

(10) **Patent No.:** **US D812,672 S**
(45) **Date of Patent:** **** Mar. 13, 2018**

(54) **BODY CAMERA**

(71) Applicant: **TASER International, Inc.**, Scottsdale, AZ (US)

(72) Inventors: **Nathan A. Patulski**, Scottsdale, AZ (US); **William J. Soper**, Bristol (GB); **John W. Wilson**, Phoenix, AZ (US)

(73) Assignee: **TASER INTERNATIONAL, INC.**, Scottsdale, AZ (US)

(**) Term: **15 Years**

(21) Appl. No.: **29/531,022**

(22) Filed: **Jun. 23, 2015**

(51) **LOC (11) Cl.** **16-05**

(52) **U.S. Cl.**
USPC **D16/219**

(58) **Field of Classification Search**
USPC D16/200, 202–206, 208, 218, 219;
348/373–376; 396/535, 539–541
CPC G03B 15/03; G03B 17/02; G03B 17/04;
G03B 17/56; G03B 19/04; H04N 5/2251;
H04N 5/2252; H04N 5/2253; H04N
5/2254; H04N 2101/00

See application file for complete search history.

(56) **References Cited**

U.S. PATENT DOCUMENTS

D554,679 S * 11/2007 Nagayama D16/202
D572,285 S * 7/2008 Kuroda D16/202

D652,067 S * 1/2012 Katsuraku D16/219
D729,297 S * 5/2015 Ikegame D16/202
D781,362 S * 3/2017 Ikegame D16/211
D781,363 S * 3/2017 Ikegame D16/211

* cited by examiner

Primary Examiner — Philip S Hyder

Assistant Examiner — Ramzi Almatrahi

(74) *Attorney, Agent, or Firm* — Lawrence Letham

(57) **CLAIM**

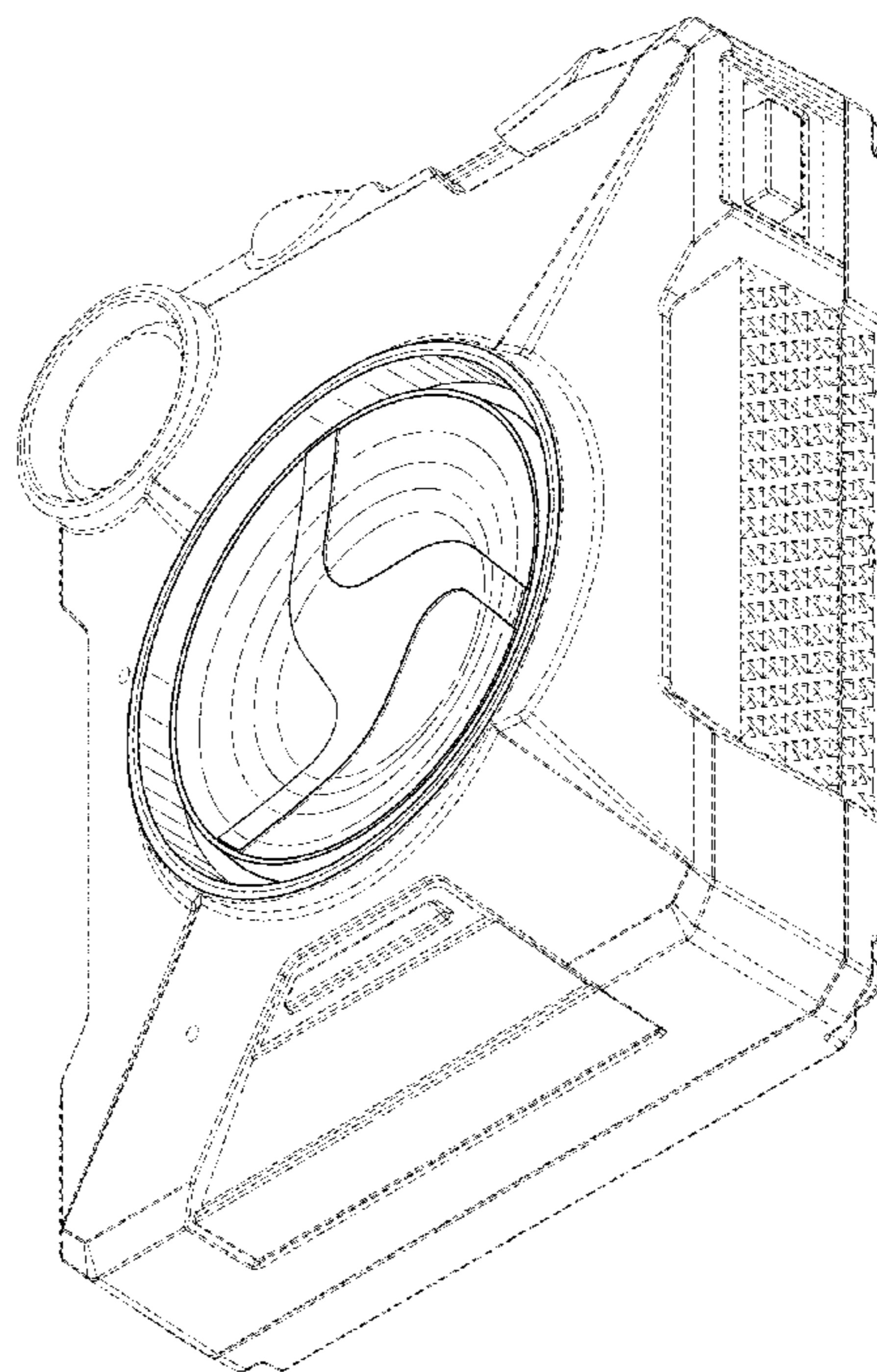
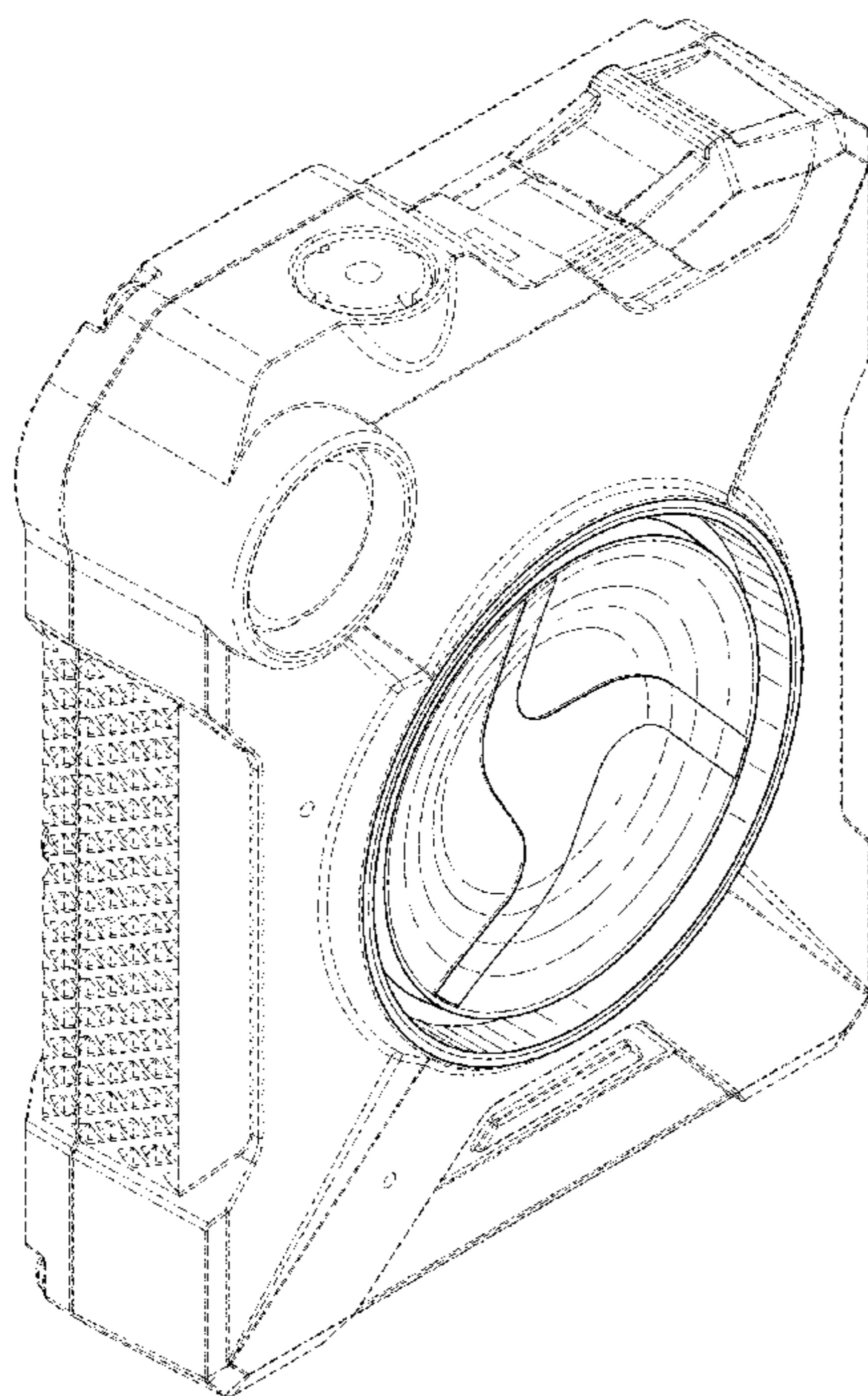
The ornamental design for a body camera, as shown and described.

DESCRIPTION

FIG. 1 is a left front isometric view of a body camera according to a first embodiment of our new design; FIG. 2 is a right front isometric view of the body camera shown in FIG. 1; FIG. 3 is a front view of the body camera shown in FIG. 1; FIG. 4 is a top view of the body camera shown in FIG. 1; FIG. 5 is a bottom view of the body camera shown in FIG. 1; FIG. 6 is a left side view of the body camera shown in FIG. 1; FIG. 7 is a right side view of the body camera shown in FIG. 1; and, FIG. 8 is a partial cross-sectional view of the body camera shown in FIG. 1.

The broken lines show portions of the body camera that form no part of the claimed design.

1 Claim, 6 Drawing Sheets



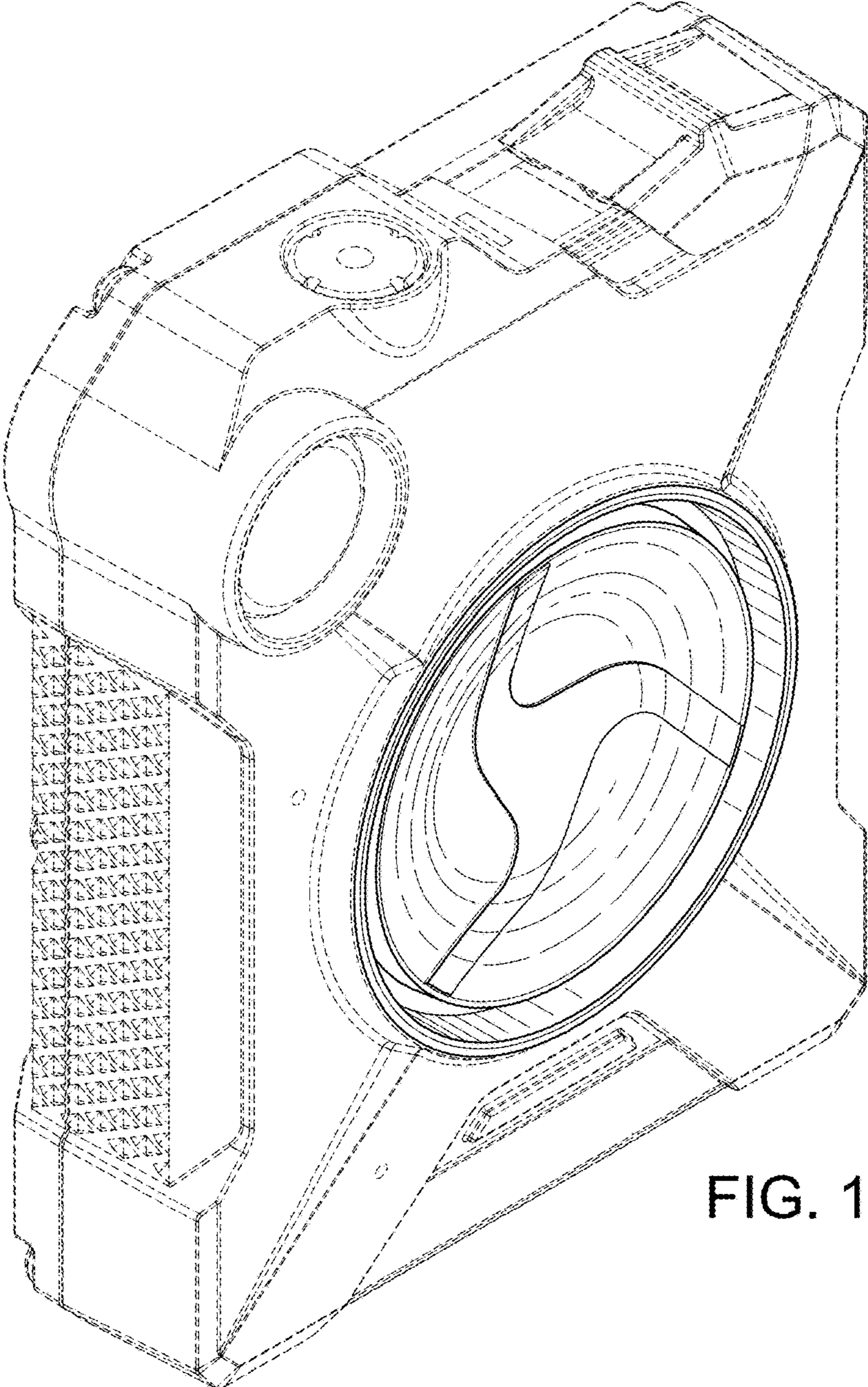


FIG. 1

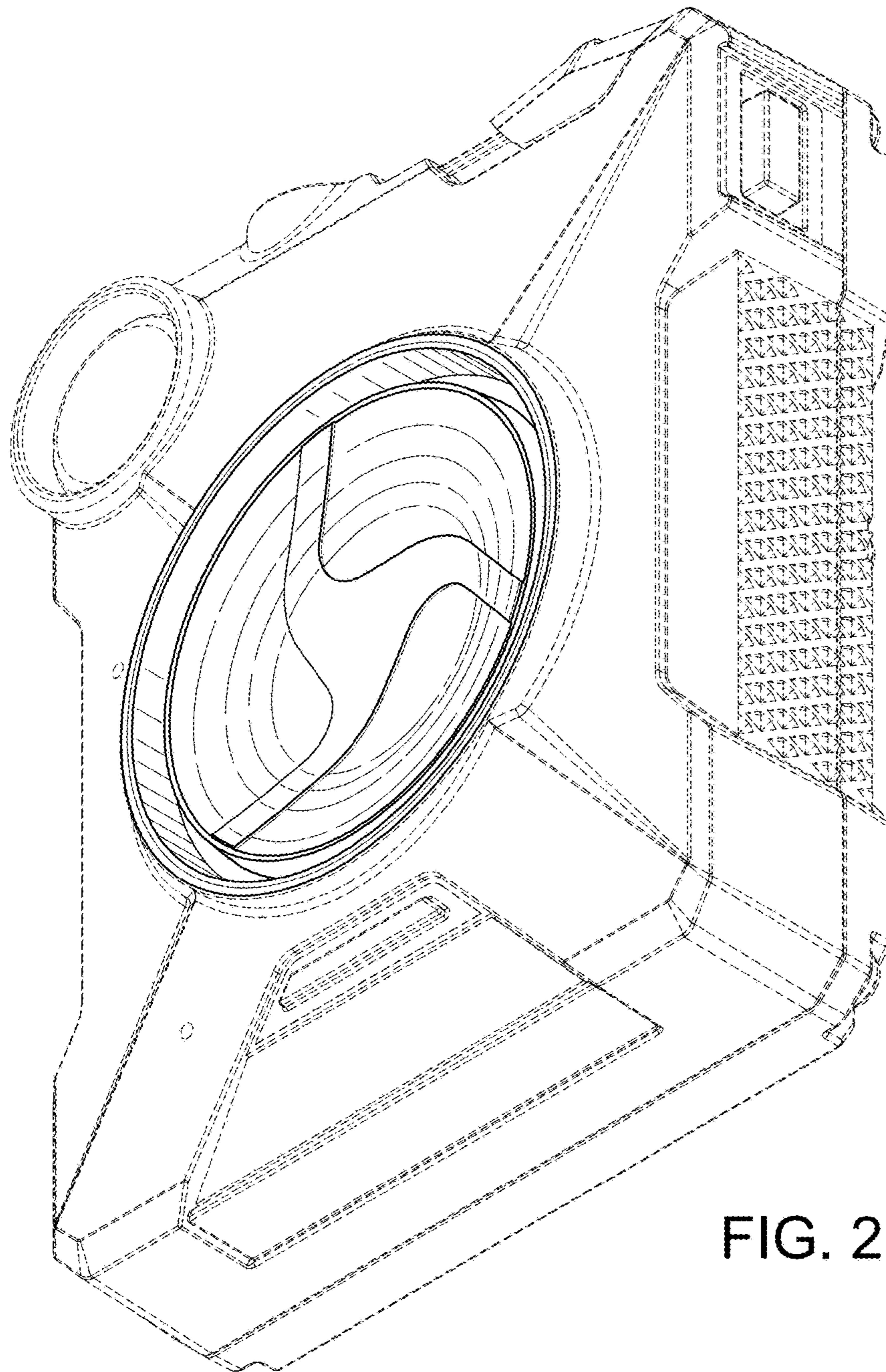
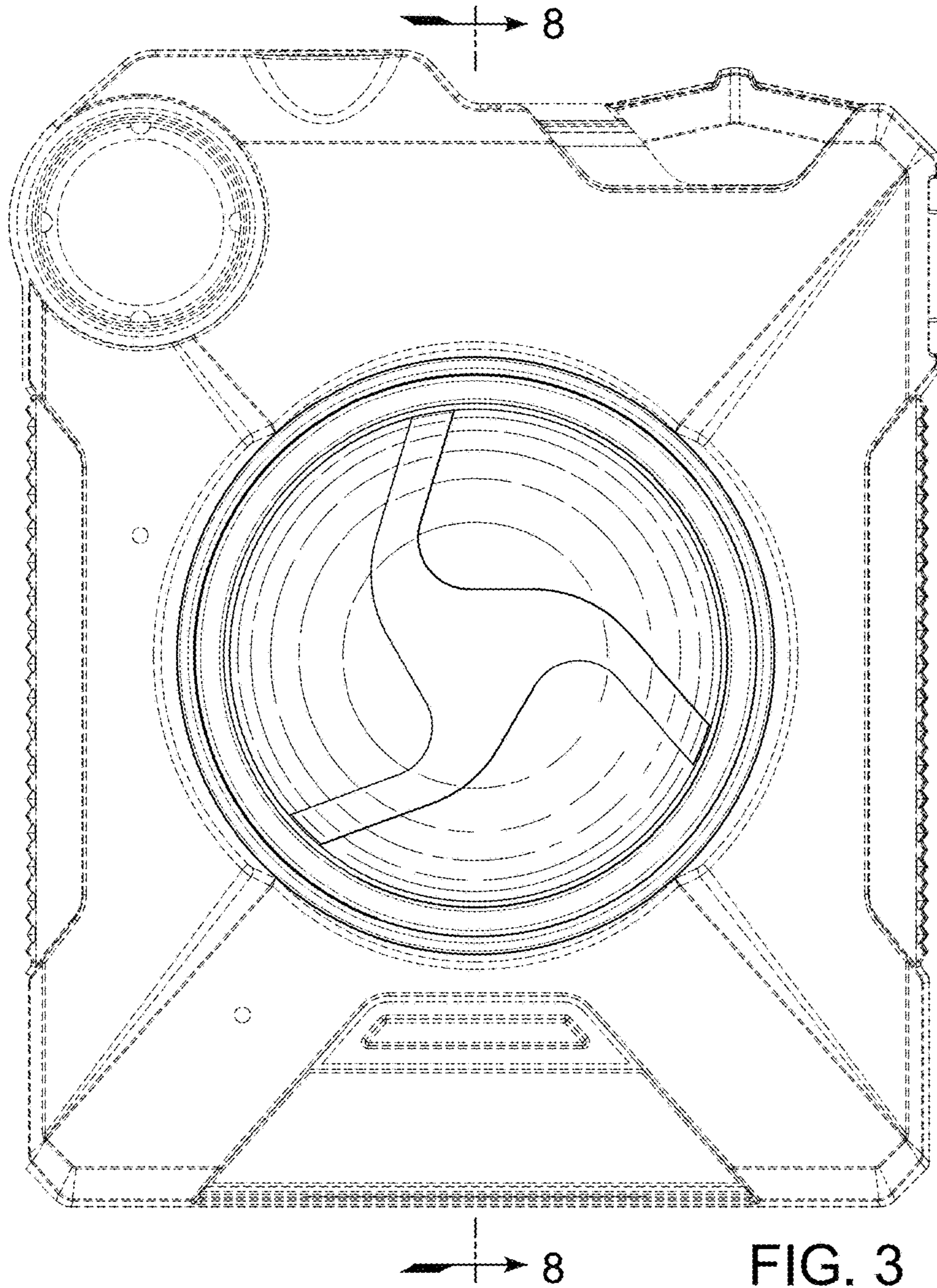


FIG. 2



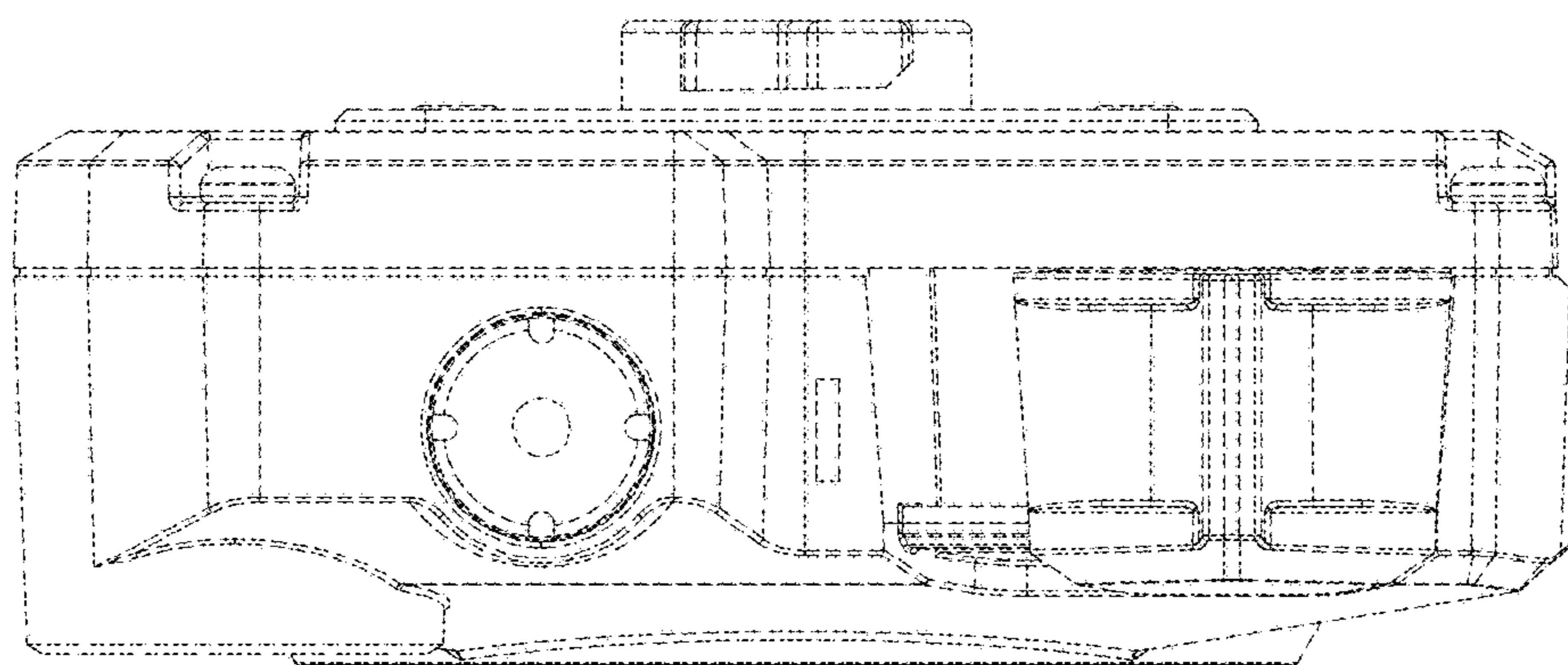


FIG. 4

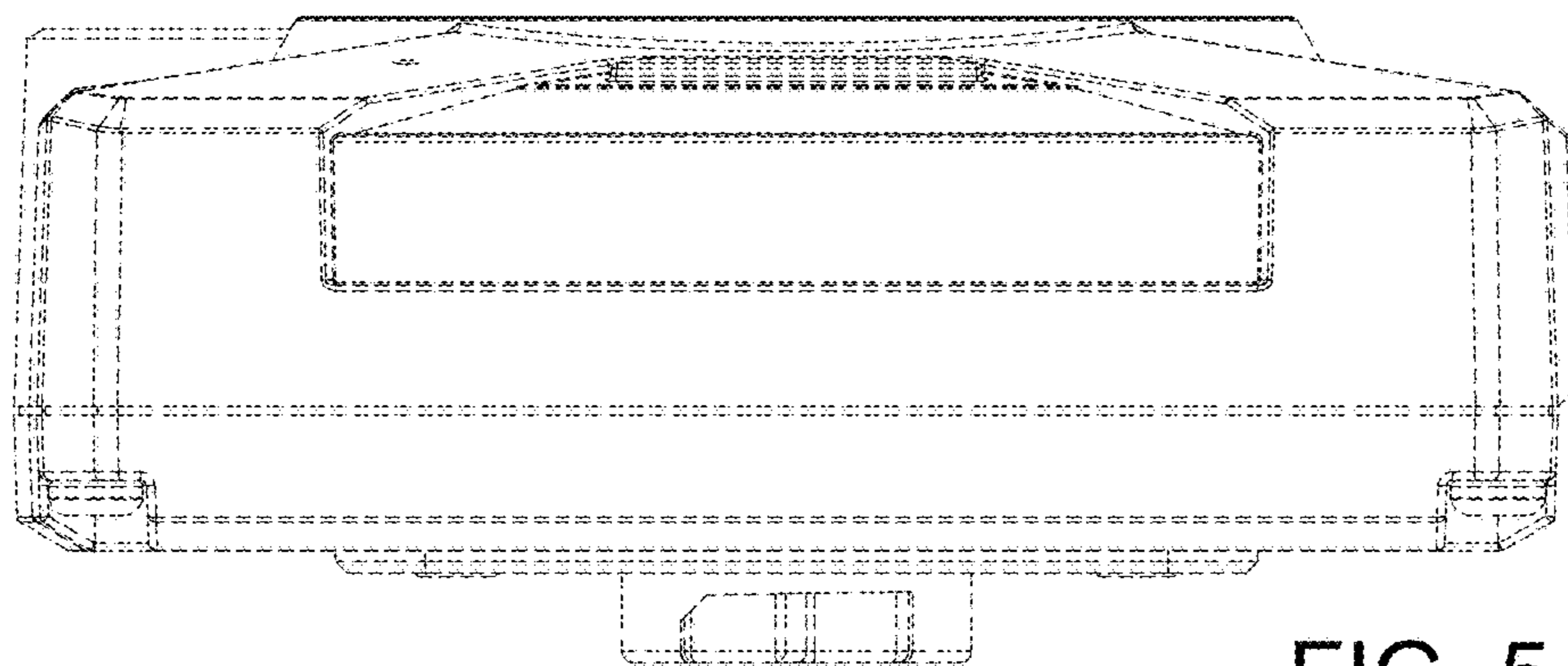


FIG. 5

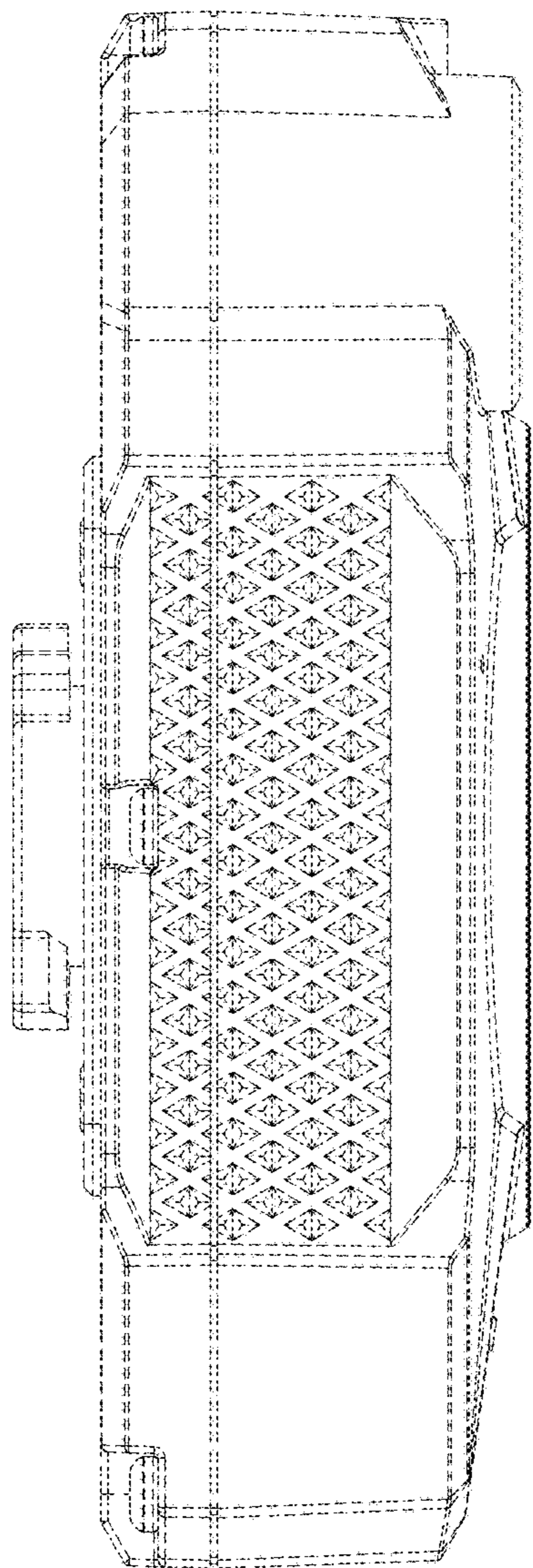


FIG. 6

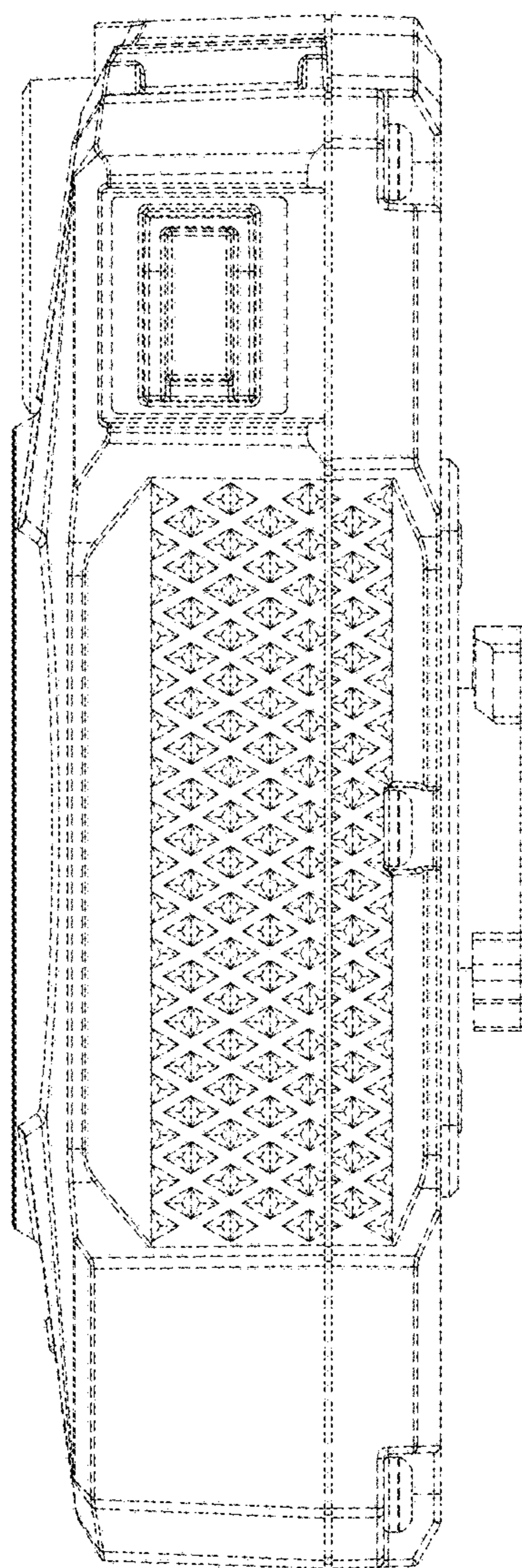


FIG. 7

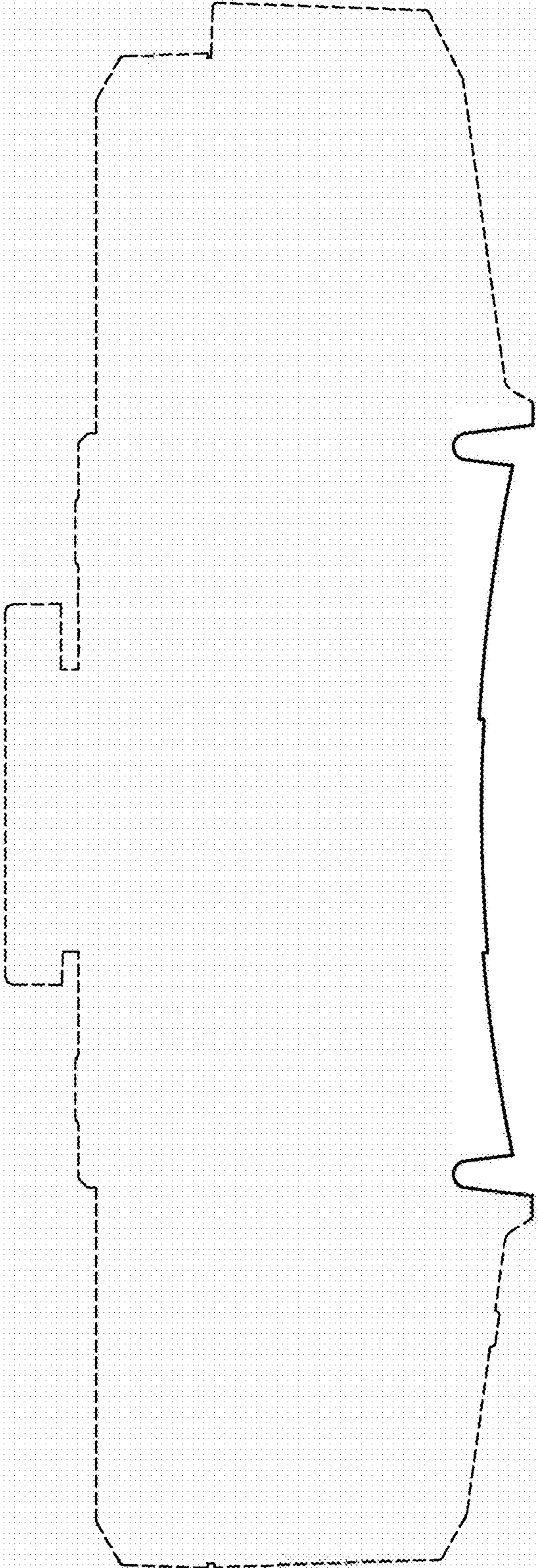


FIG. 8