



US00D812670S

(12) **United States Design Patent** (10) **Patent No.:** **US D812,670 S**
Andersson et al. (45) **Date of Patent:** **** Mar. 13, 2018**

(54) **MONITORING CAMERA**

(56) **References Cited**

(71) Applicant: **AXIS AB**, Lund (SE)

U.S. PATENT DOCUMENTS

(72) Inventors: **Kristina Andersson**, Arlov (SE);
Anders Lundquist, Genarp (SE);
Daniel Ahman, Lomma (SE); **Mathias Walter**, Arlov (SE); **Morten Bergstrom**, Bjarred (SE)

4,394,692 A 7/1983 Randmae et al.
4,414,576 A 11/1983 Randmae
D273,012 S 3/1984 Kozloski
D403,340 S 12/1998 Arbuckle
D607,033 S * 12/2009 Arbuckle D16/203
7,762,731 B2 7/2010 Arbuckle et al.
D638,871 S 5/2011 Bergstrom et al.

(Continued)

(73) Assignee: **AXIS AB**, Lund (SE)

FOREIGN PATENT DOCUMENTS

(**) Term: **15 Years**

TW D157862 12/2013

(21) Appl. No.: **29/607,567**

OTHER PUBLICATIONS

(22) Filed: **Jun. 14, 2017**

http://www.axis.com/files/image_gallery/ph_m1103_left.jpg. (Jan. 1, 2014).

(Continued)

Related U.S. Application Data

(62) Division of application No. 29/539,650, filed on Sep. 16, 2015.

Primary Examiner — Philip S Hyder

Assistant Examiner — Ramzi Almatrahi

(74) *Attorney, Agent, or Firm* — Volpe and Koenig, P.C.

(30) **Foreign Application Priority Data**

(57) **CLAIM**

The ornamental design for a monitoring camera, as shown and described.

Mar. 16, 2015 (EM) 002655027-0001
Mar. 16, 2015 (EM) 002655027-0002

DESCRIPTION

(51) **LOC (11) Cl.** **16-01**

(52) **U.S. Cl.**
USPC **D16/203**

(58) **Field of Classification Search**
USPC D16/200, 202–208, 218, 219, 242;
348/143, 148, 151, 373–376; 396/419,
396/427, 535, 539–541; 248/176.1, 187.1
CPC G03B 17/02; G03B 19/04; G03B 17/56;
G03B 17/04; G03B 15/03; H04N 5/2251;
H04N 5/2252; H04N 5/2253; H04N
5/2254; H04N 7/181; H04N 7/183; H04N
7/18

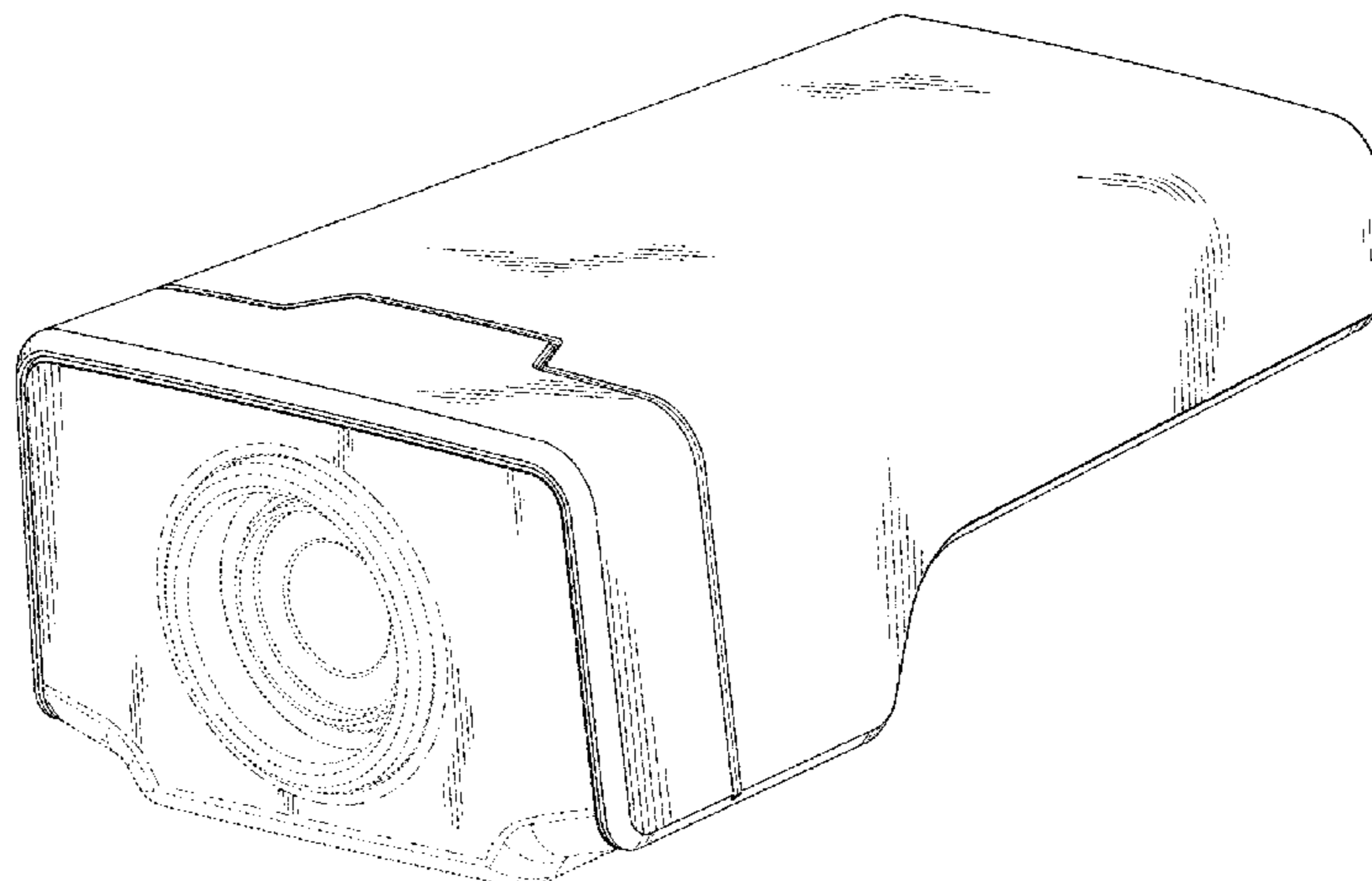
FIG. 1 is a perspective view of a monitoring camera showing our new design;
FIG. 2 is a front elevational view thereof;
FIG. 3 is a top plan view thereof;
FIG. 4 is a left side elevational view thereof;
FIG. 5 is a right side elevational view thereof;
FIG. 6 is a bottom plan view thereof; and,
FIG. 7 is a rear elevational view thereof.

The broken lines depict portions of a monitoring camera in which the design is embodied and form no part of the claimed design.

The dot-dash lines denote the boundary of the claim and form no part of the claimed design.

See application file for complete search history.

1 Claim, 4 Drawing Sheets



(56)

References Cited

U.S. PATENT DOCUMENTS

D642,607 S 8/2011 Bergstrom et al.
D643,454 S 8/2011 Zaliauskas et al.
D661,719 S * 6/2012 Katori D16/203
D672,382 S * 12/2012 Zeinoun D16/203
D679,308 S 4/2013 Park et al.
D684,619 S 6/2013 Chapple et al.
D691,187 S * 10/2013 Seo D16/203
D691,646 S * 10/2013 Bergstrom D16/203
D730,420 S * 5/2015 Janssen D16/200
D732,597 S * 6/2015 Celler D16/203
D739,888 S * 9/2015 Liang D16/203
D741,933 S 10/2015 Bergstrom et al.
D748,710 S 2/2016 Bergstrom et al.
9,392,149 B2 * 7/2016 Grotto G03B 17/55
2011/0052179 A1 3/2011 Jung et al.

OTHER PUBLICATIONS

http://www.axis.com/files/image_gallery/ph_p1311_leftangle_1012.jpg. (Jan. 1, 2014).
http://www.axis.com/files/image_gallery/q1614_wall_angle_left_1310_hi.jpg. (Jan. 1, 2014).
http://www.axis.com/files/image_gallery/ph_q1755_left.jpg. (Jan. 1, 2014).
http://www.axis.com/files/image_gallery/140_bjc/ph_m1143_1144_left.jpg. (Jan. 1, 2014).

* cited by examiner

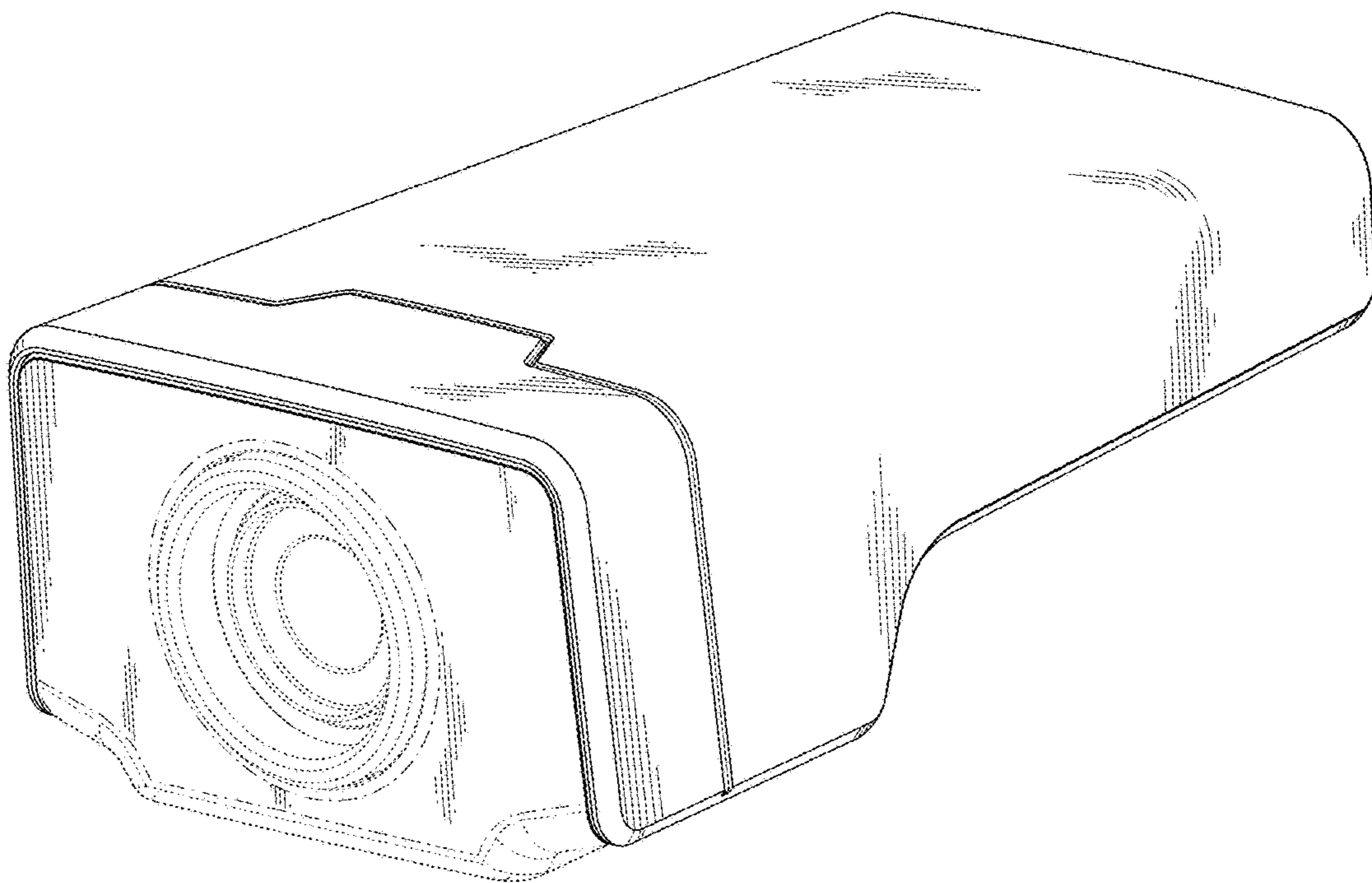


Figure 1

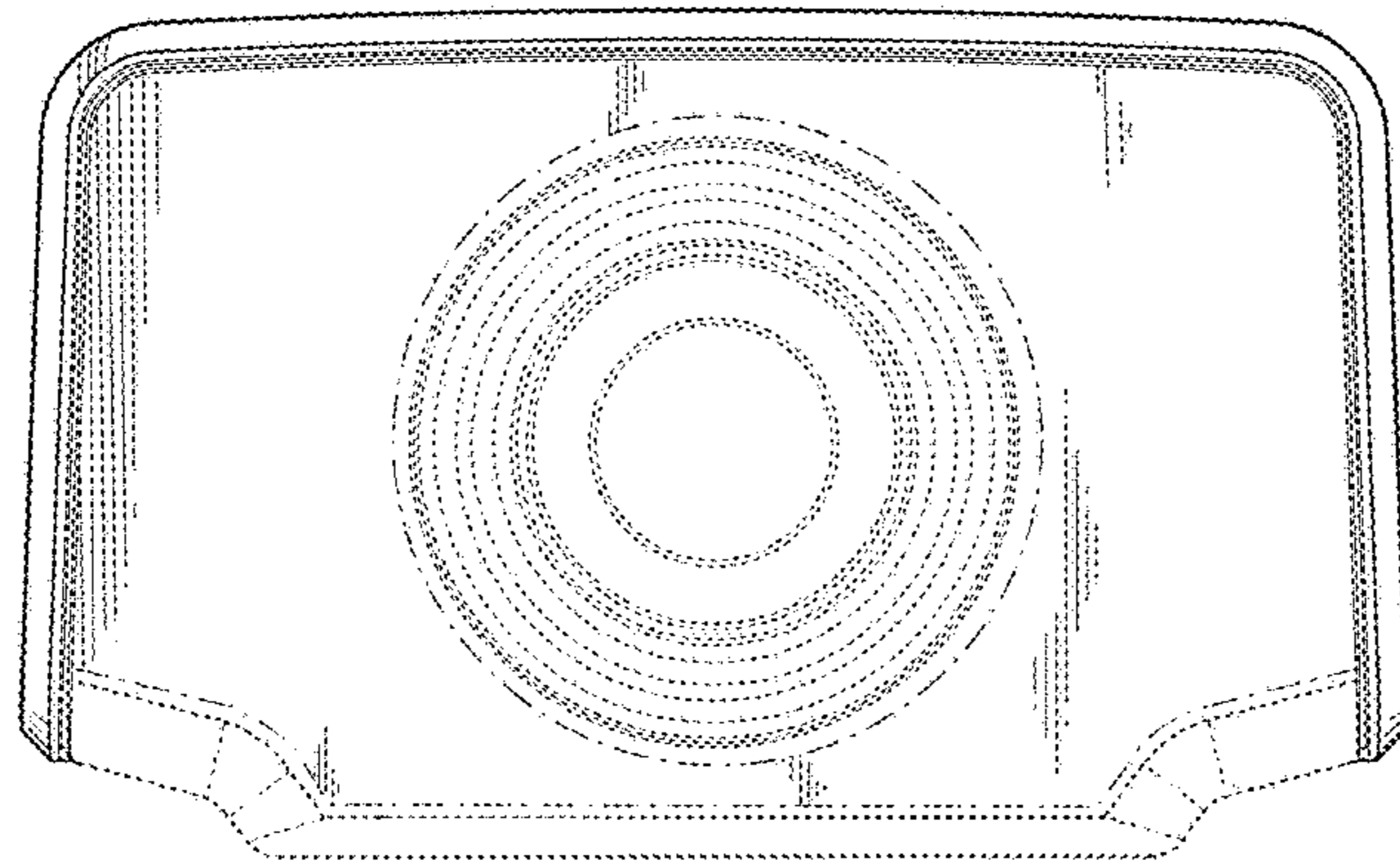


Figure 2

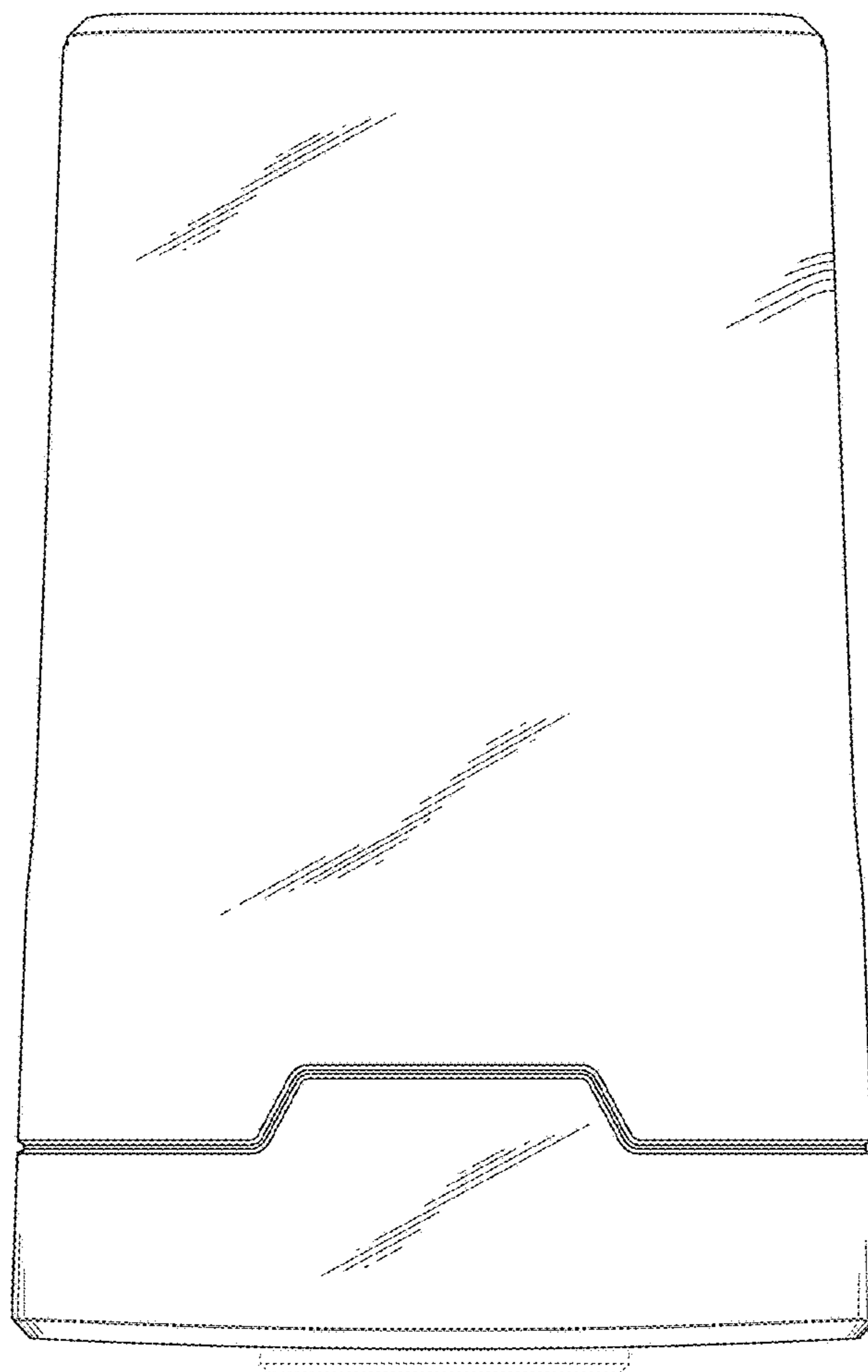


Figure 3

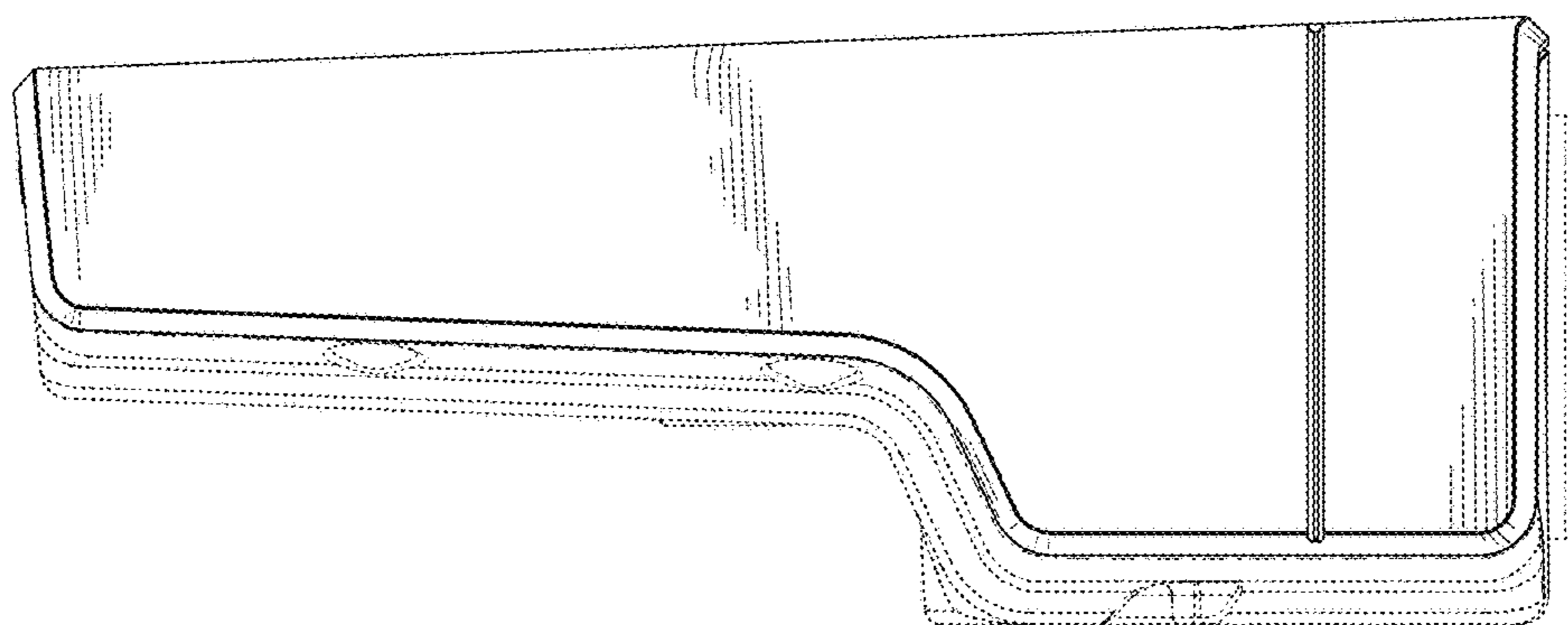


Figure 4

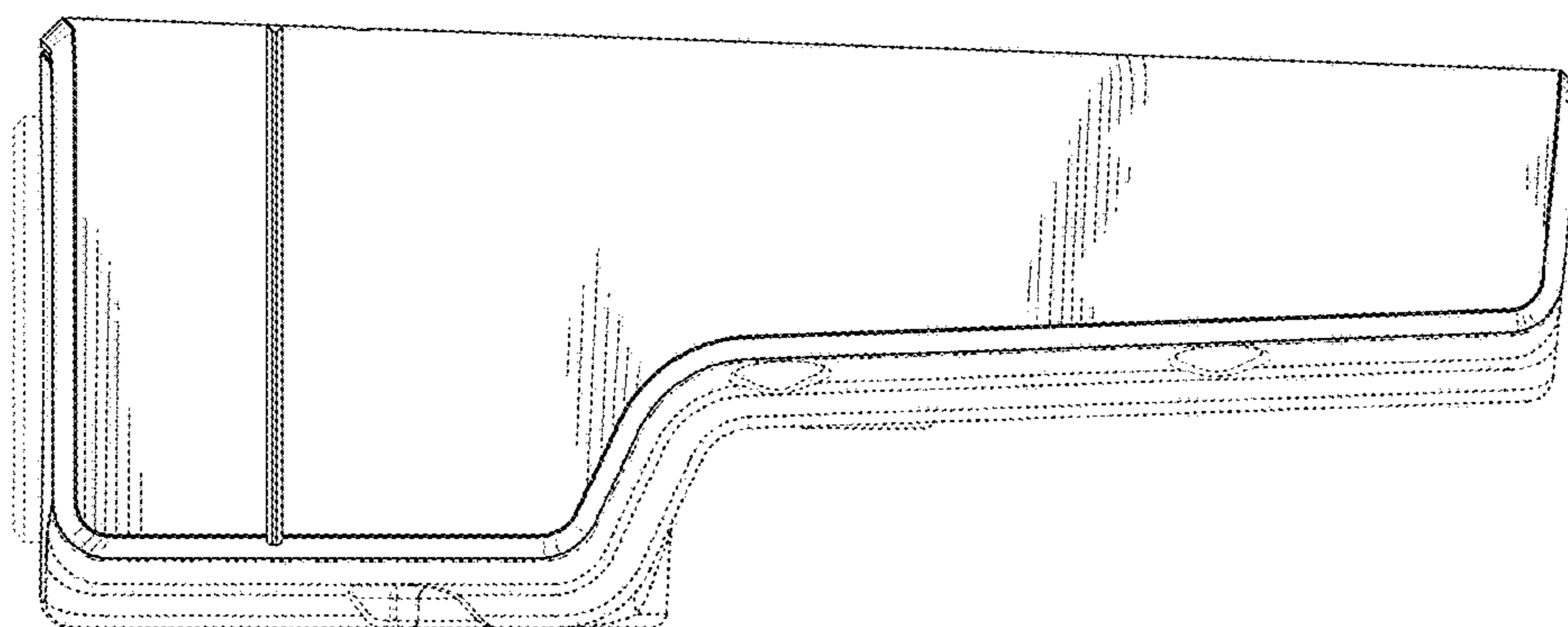


Figure 5

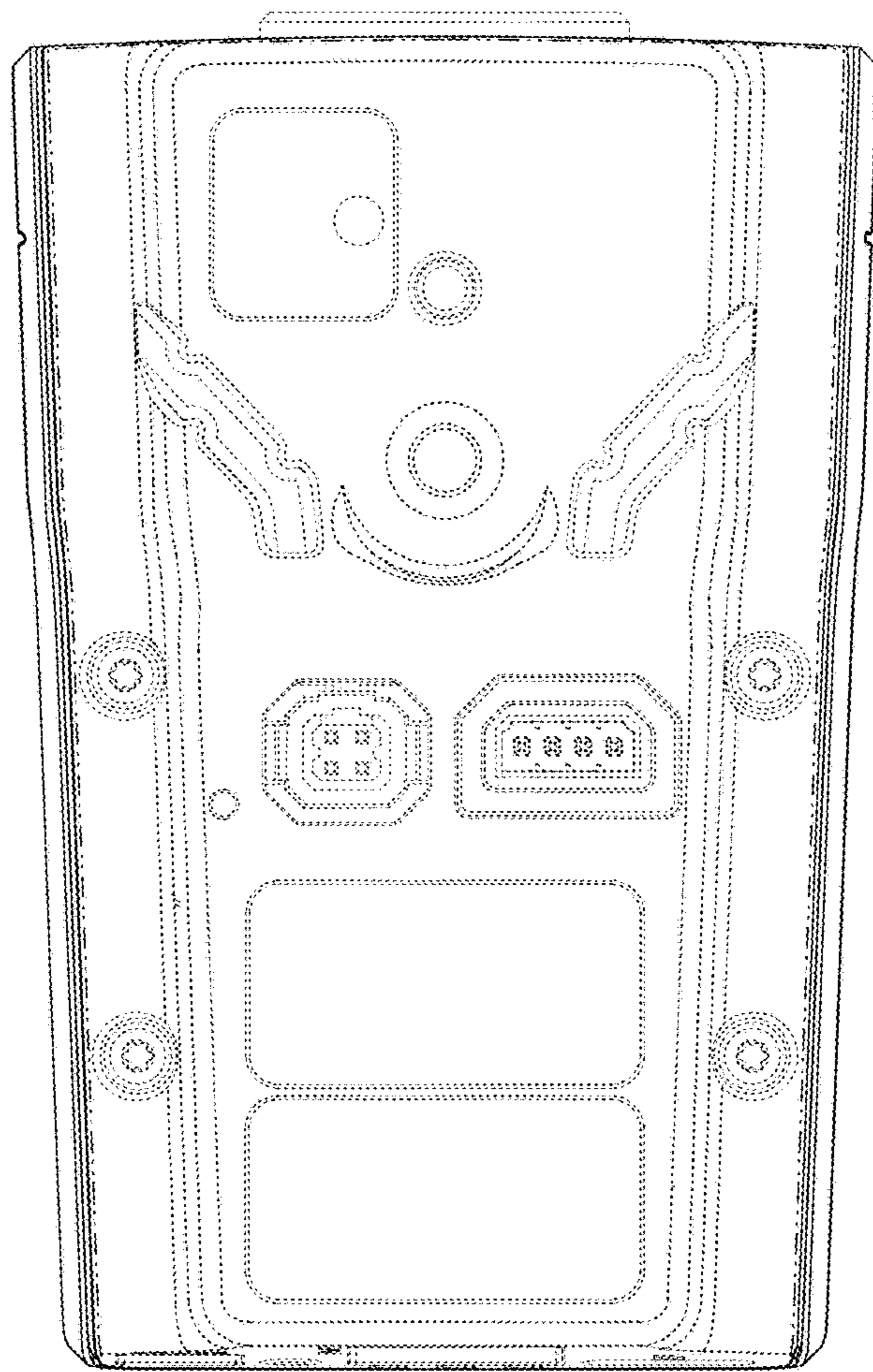


Figure 6

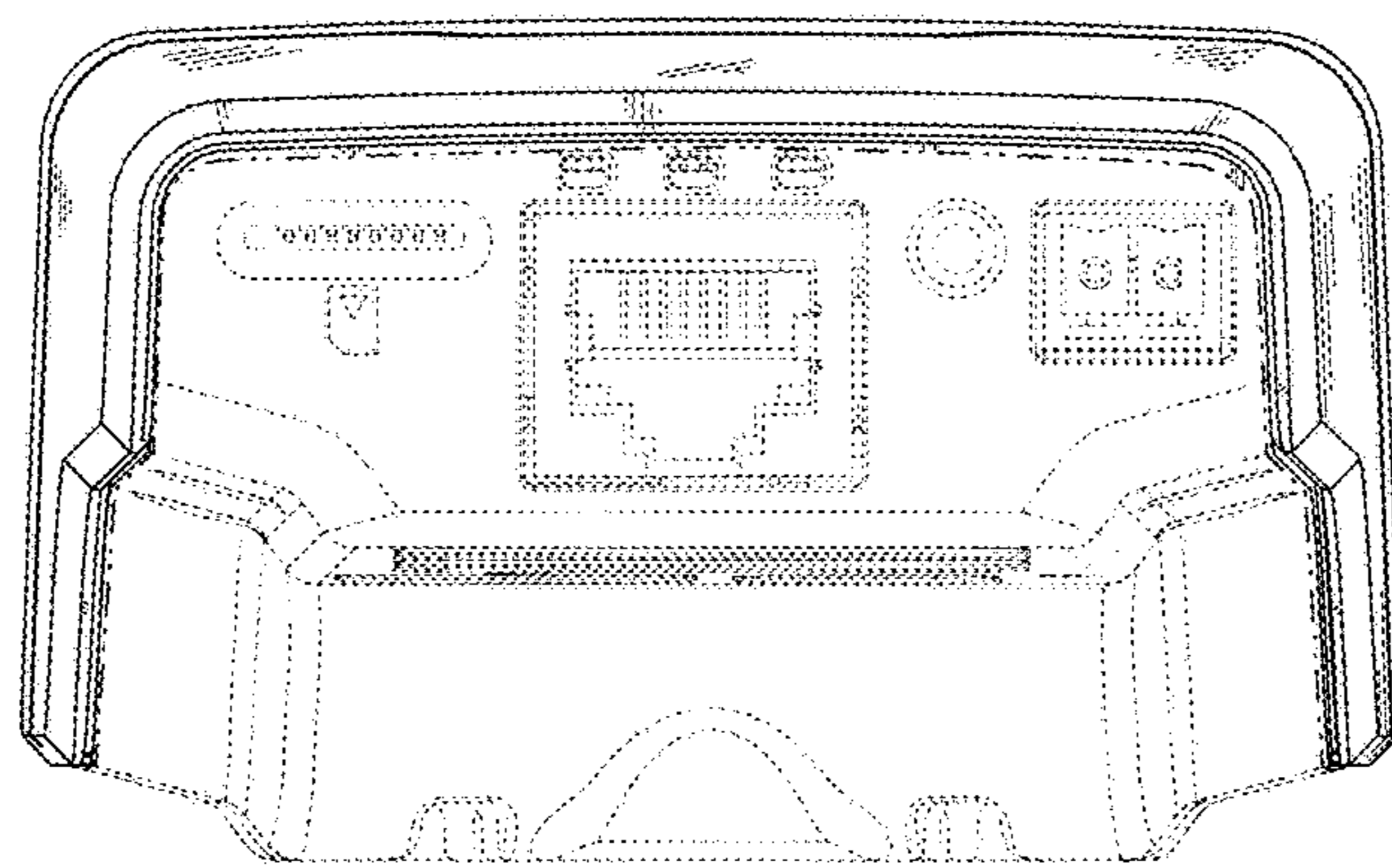


Figure 7