



US00D812669S

(12) **United States Design Patent**  
**Huang et al.**

(10) **Patent No.:** **US D812,669 S**  
(45) **Date of Patent:** **\*\* Mar. 13, 2018**

(54) **VEHICLE SURVEILLANCE CAMERA**

(71) Applicant: **VIVOTEK INC.**, New Taipei (TW)

(72) Inventors: **Chung-Yon Huang**, New Taipei (TW);  
**Wei-Kai Tang**, New Taipei (TW)

(73) Assignee: **VIVOTEK INC.**, New Taipei (TW)

(\*\*) Term: **15 Years**

(21) Appl. No.: **29/577,047**

(22) Filed: **Sep. 9, 2016**

(51) **LOC (11) Cl.** ..... **16-01**

(52) **U.S. Cl.**  
USPC ..... **D16/203**; D16/202

(58) **Field of Classification Search**  
USPC ..... D16/200–220, 239, 242, 243, 244, 245;  
D3/267, 265; D26/140, 26, 138, 142, 60,  
D26/61, 62, 63, 106, 107, 128, 131;  
D12/187; D14/204, 195, 181, 183, 215,  
D14/209, 210, 224  
CPC .. A61B 5/00; A61B 17/34; B60R 1/00; B60R  
11/04; B64D 47/08; F16M 11/12; G03B  
5/00; G03B 7/26; G03B 11/04; G03B  
15/00; G03B 17/56; G03B 17/00; G03B  
17/55; G03B 17/02; G08B 15/00; G11B  
5/60; G06K 9/00; H04N 5/232; H04N  
5/225; H04N 7/18; H04N 7/173; H04N  
13/02

See application file for complete search history.

(56) **References Cited**

**U.S. PATENT DOCUMENTS**

D273,012 S \* 3/1984 Kozloski ..... D16/203  
D403,340 S \* 12/1998 Arbuckle ..... D16/203  
D416,569 S \* 11/1999 Green ..... D16/201  
D556,233 S \* 11/2007 Webb ..... D16/202  
D558,811 S \* 1/2008 Higgins ..... D16/203  
D606,105 S \* 12/2009 Hinkel ..... D16/203  
7,705,882 B2 \* 4/2010 Engel ..... H04N 1/00217  
348/207.1  
D629,436 S \* 12/2010 Cheng ..... D16/203

D700,231 S \* 2/2014 Berkmortel ..... D16/203  
D739,887 S \* 9/2015 Fish, Jr. .... D16/202  
D747,380 S \* 1/2016 Fish, Jr. .... D14/230  
D750,684 S \* 3/2016 Katori ..... D16/203  
D754,777 S \* 4/2016 Fish, Jr. .... D12/223  
D757,146 S \* 5/2016 Walter ..... D16/203  
2014/0160290 A1 \* 6/2014 Wu ..... B60R 1/00  
348/148

**FOREIGN PATENT DOCUMENTS**

CN 303440047 \* 11/2015

**OTHER PUBLICATIONS**

Vivotek MD7560 Outdoor IP, announced Jul. 24, 2014 [online],  
[site visited Sep. 15, 2017], Available from Internet, URL: <https://  
web.archive.org/web/20140726113752/https://www.  
networkwebcams.com/vivotek-md7560-vandal-resistant-outdoor-  
ip-camera>.\*

\* cited by examiner

*Primary Examiner* — Barbara Fox  
*Assistant Examiner* — Mary C Ramirez  
(74) *Attorney, Agent, or Firm* — Winston Hsu

(57) **CLAIM**

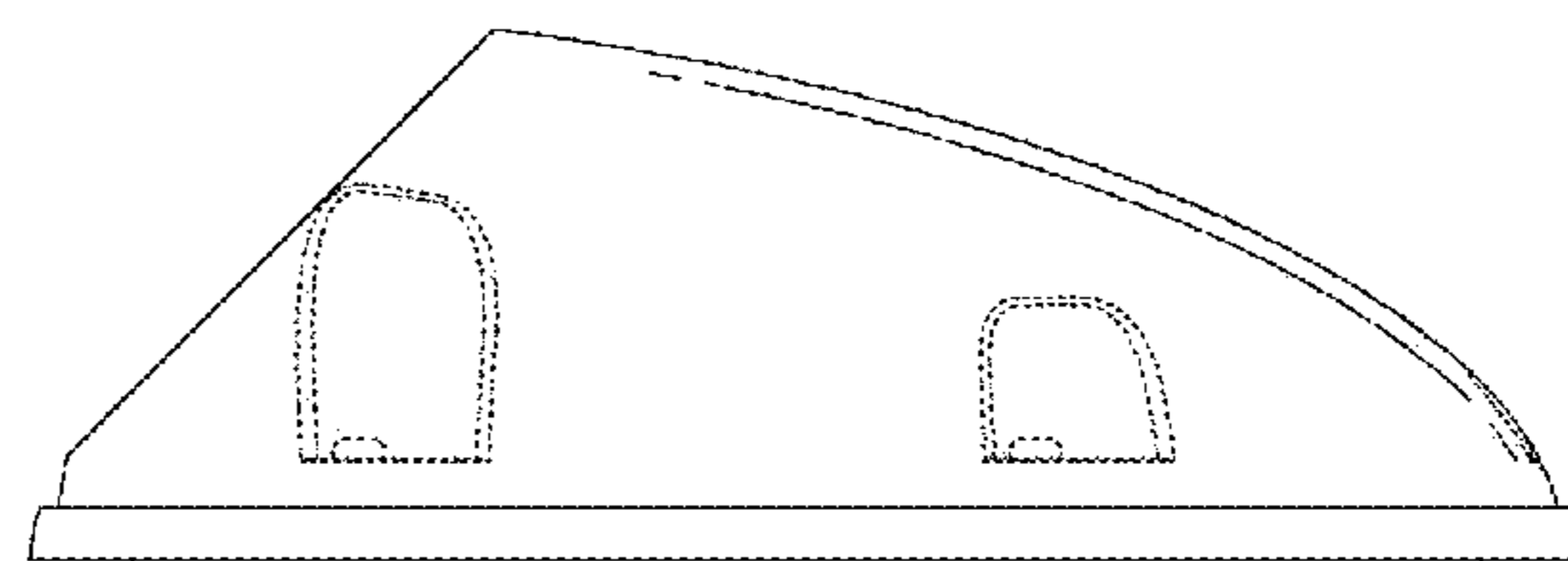
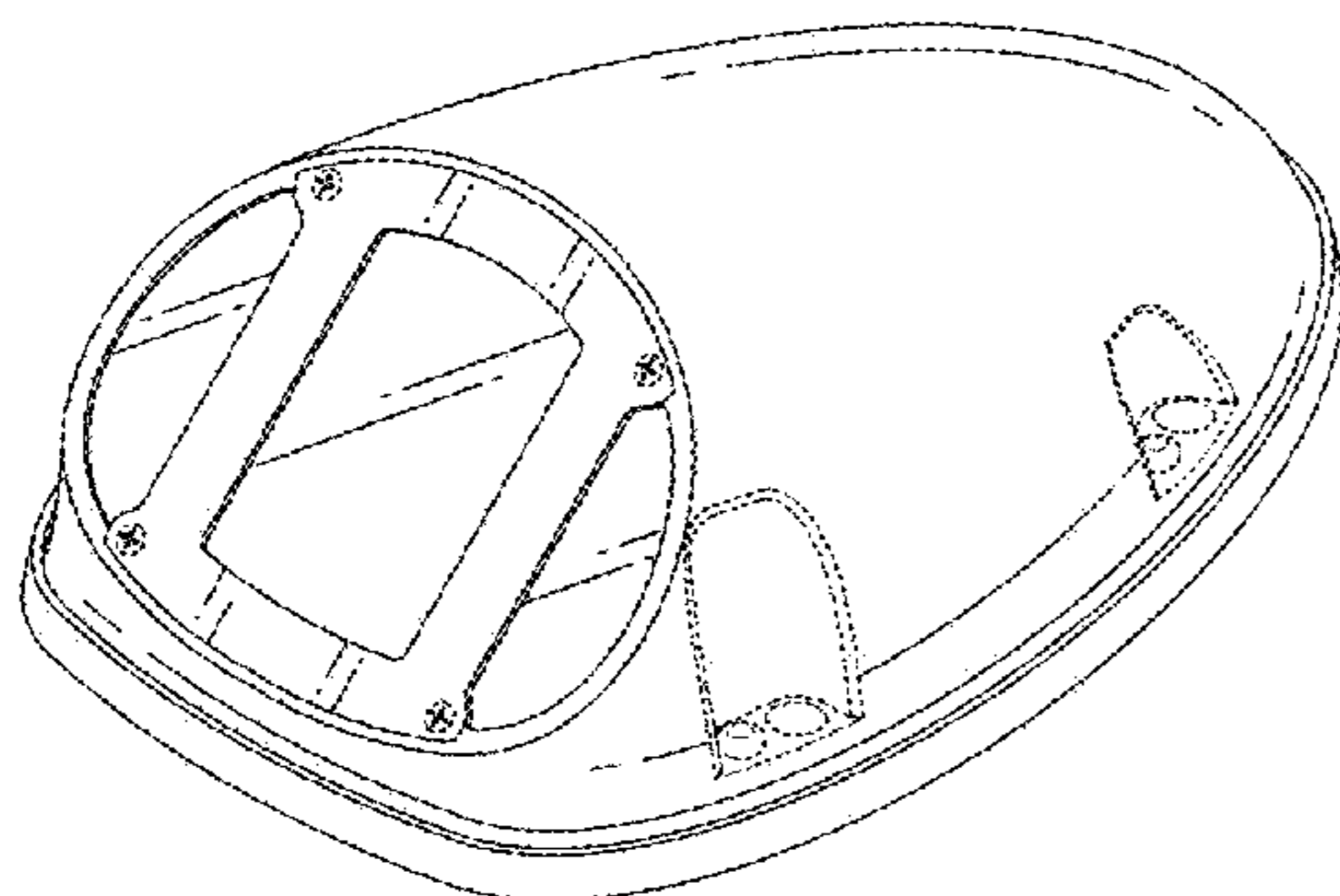
The ornamental design for a vehicle surveillance camera, as  
shown and described.

**DESCRIPTION**

FIG. 1 is a front, right, top perspective view of a vehicle  
surveillance camera showing our new design;  
FIG. 2 is a front view thereof;  
FIG. 3 is a rear view thereof;  
FIG. 4 is a left side view thereof;  
FIG. 5 is a right side view thereof;  
FIG. 6 is a top view thereof; and,  
FIG. 7 is a bottom view thereof.

The broken lines depict portions of a vehicle surveillance  
camera in which the design is embodied and form no part of  
the claimed design.

**1 Claim, 7 Drawing Sheets**



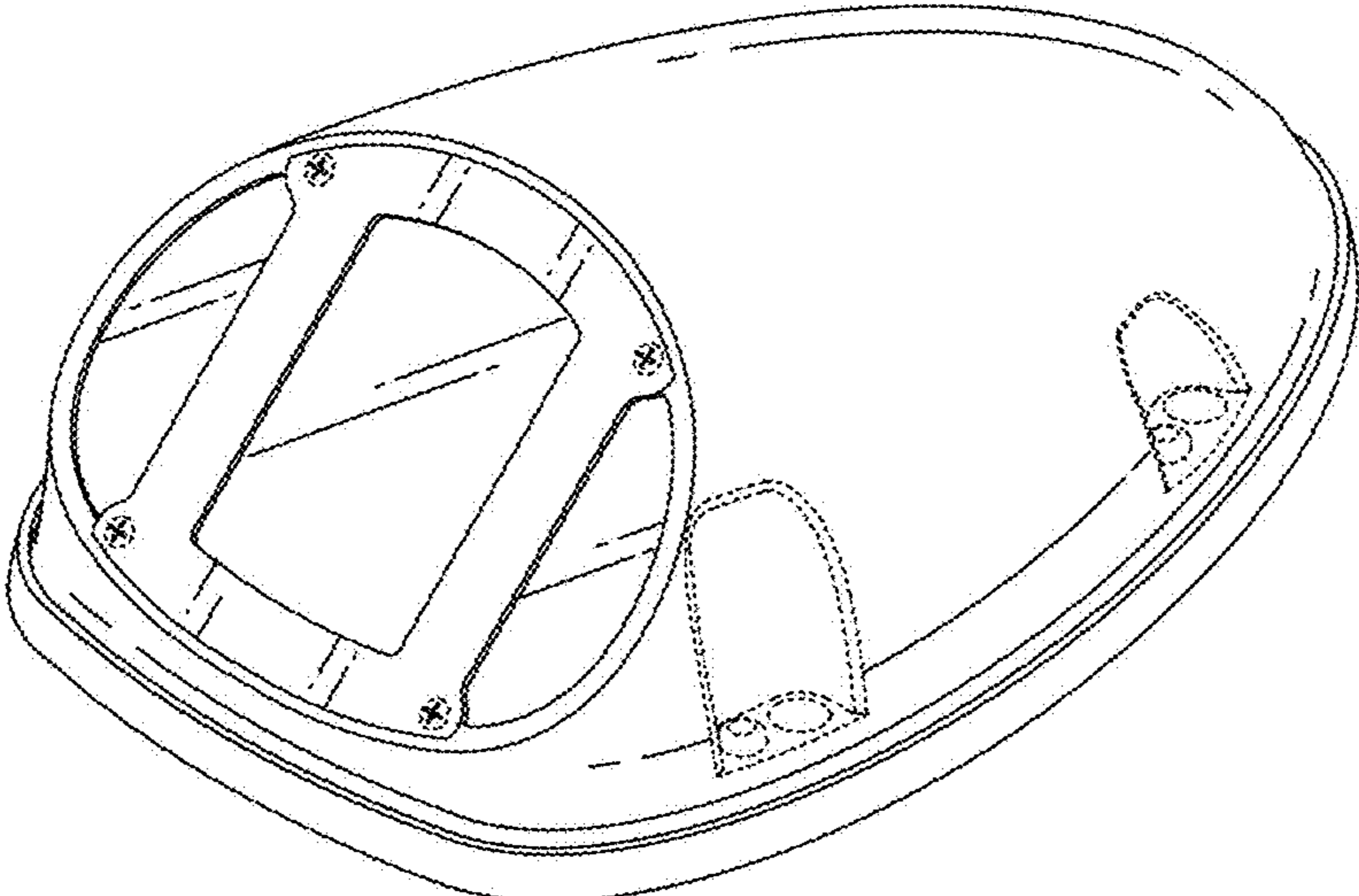


FIG. 1

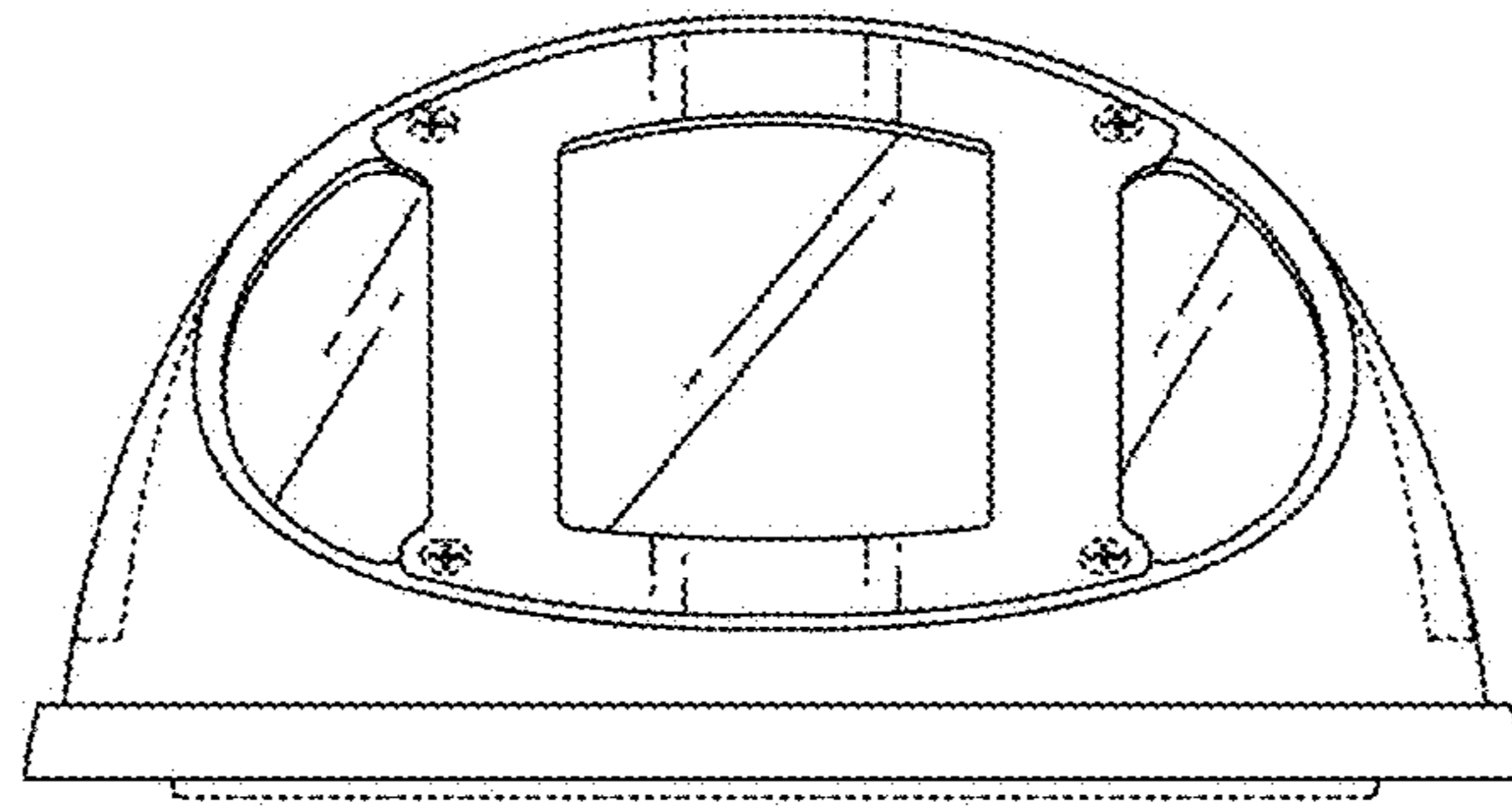


FIG. 2

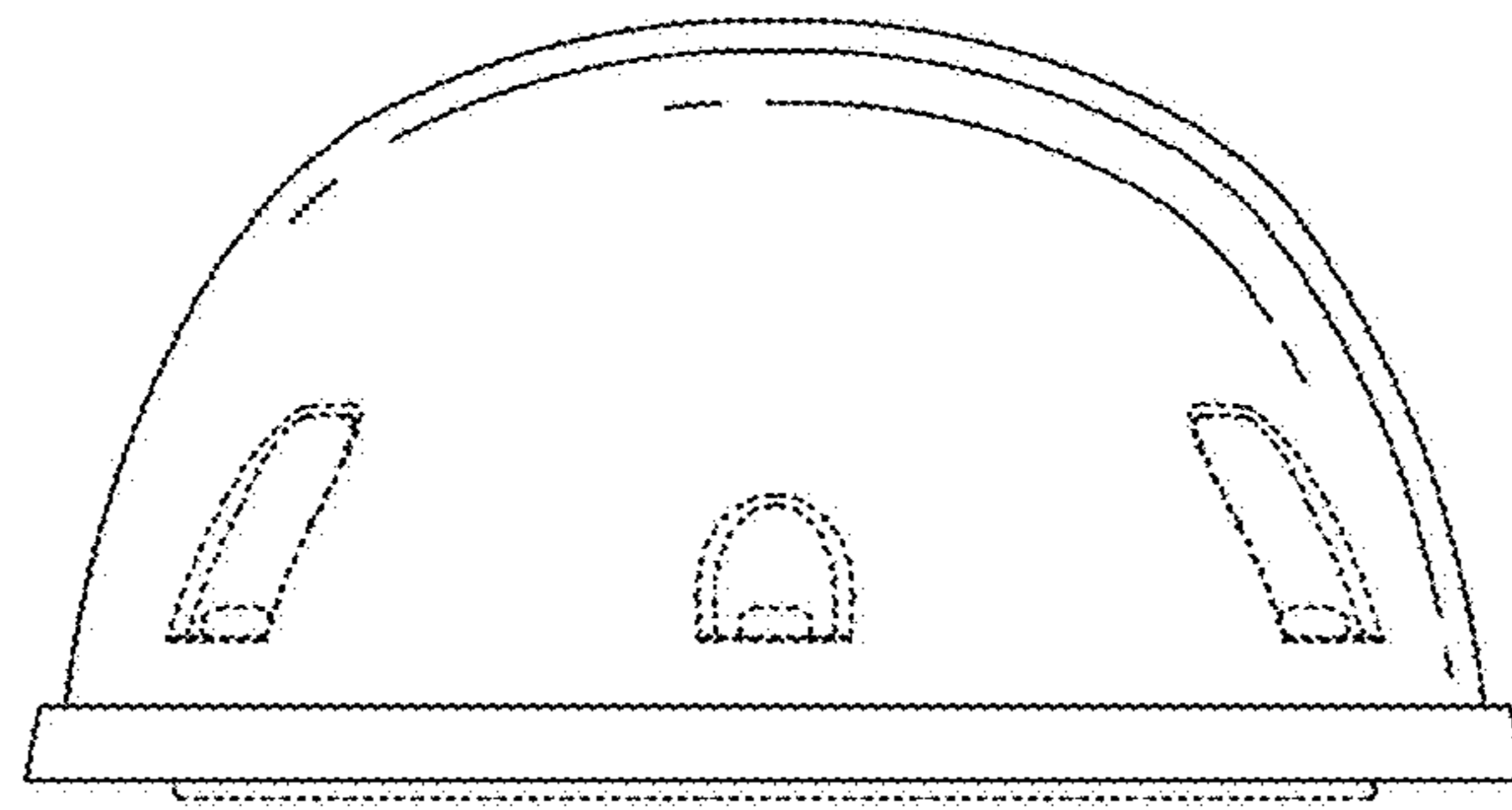


FIG. 3

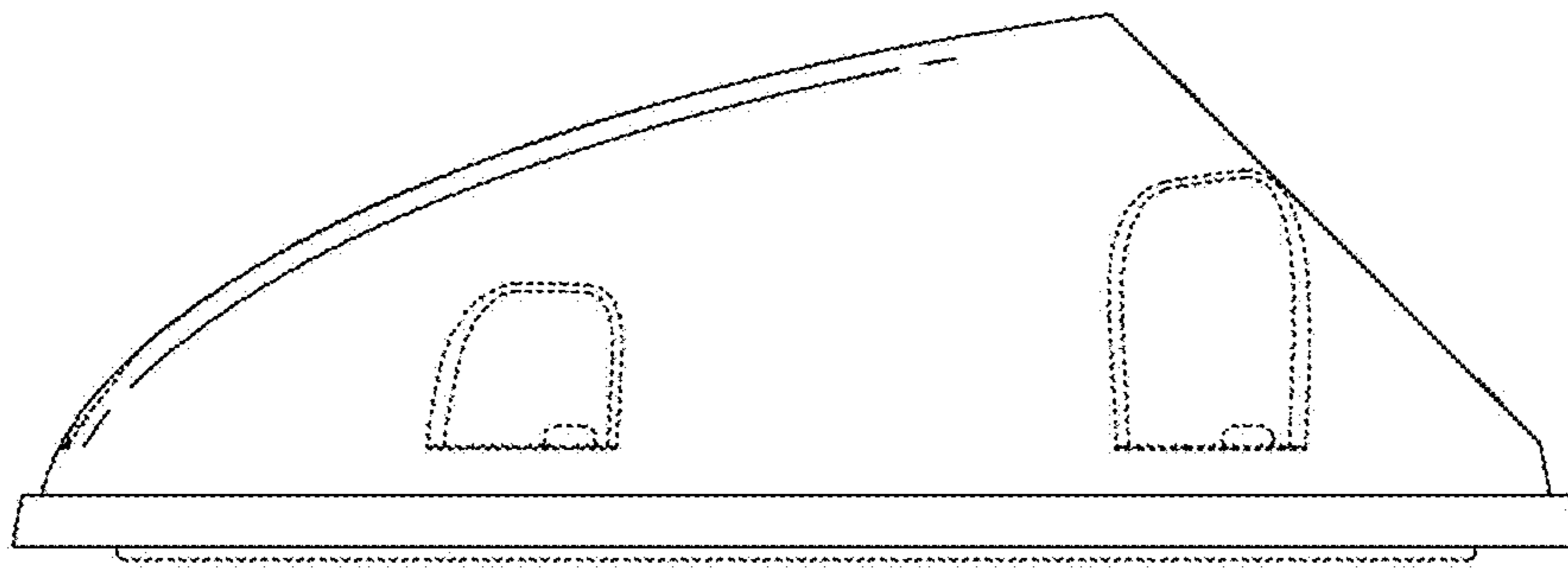


FIG. 4

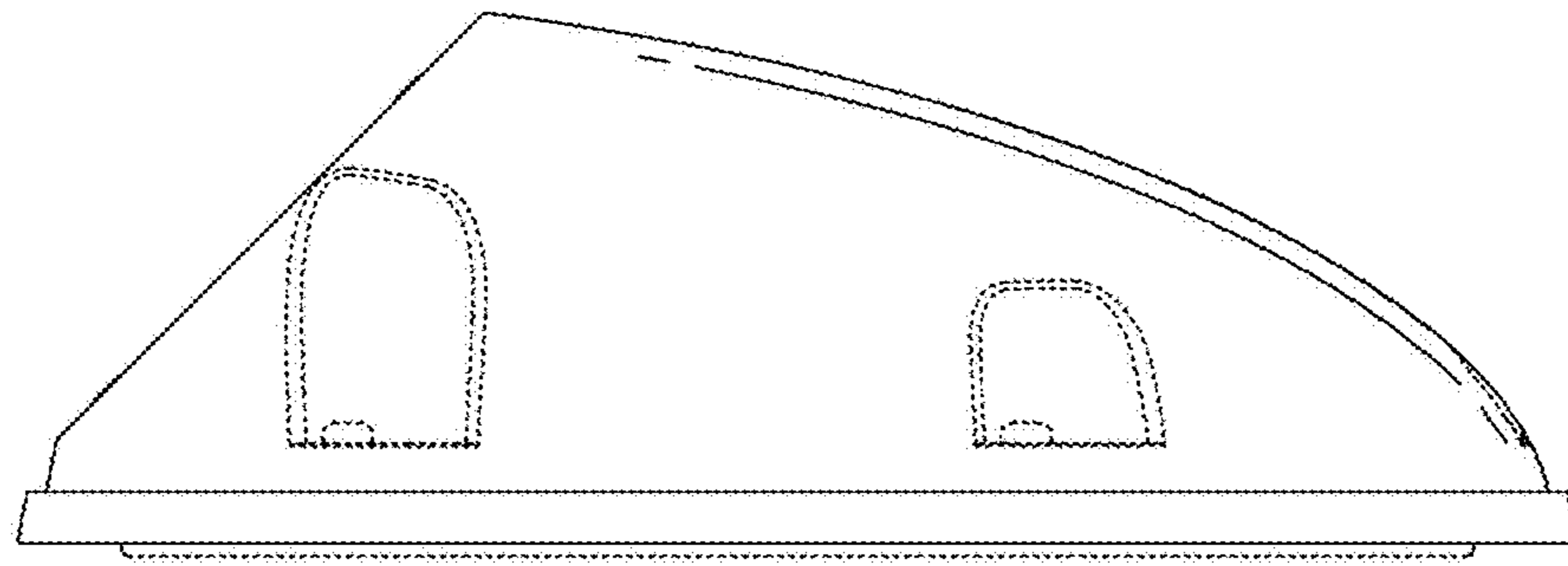


FIG. 5

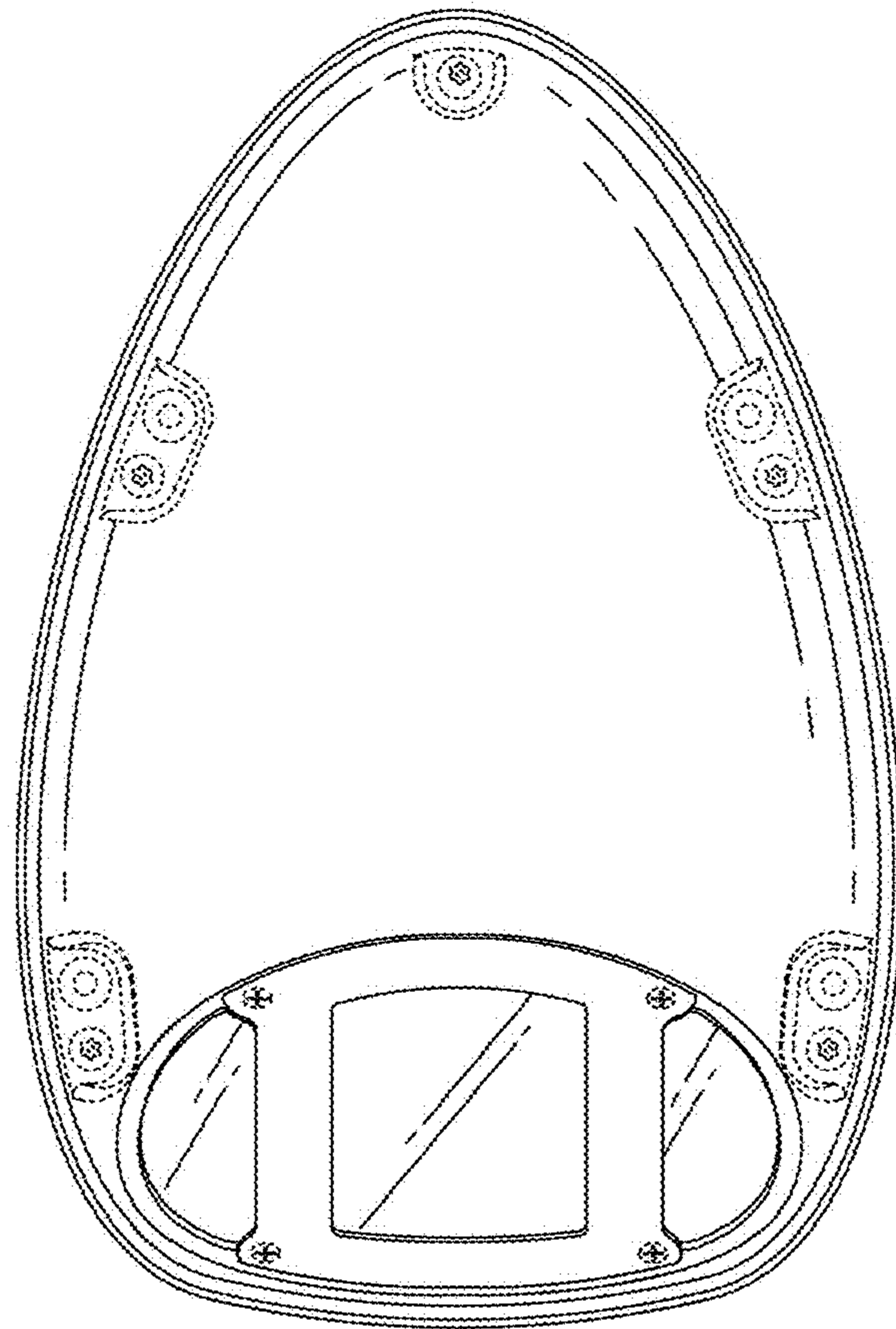


FIG. 6

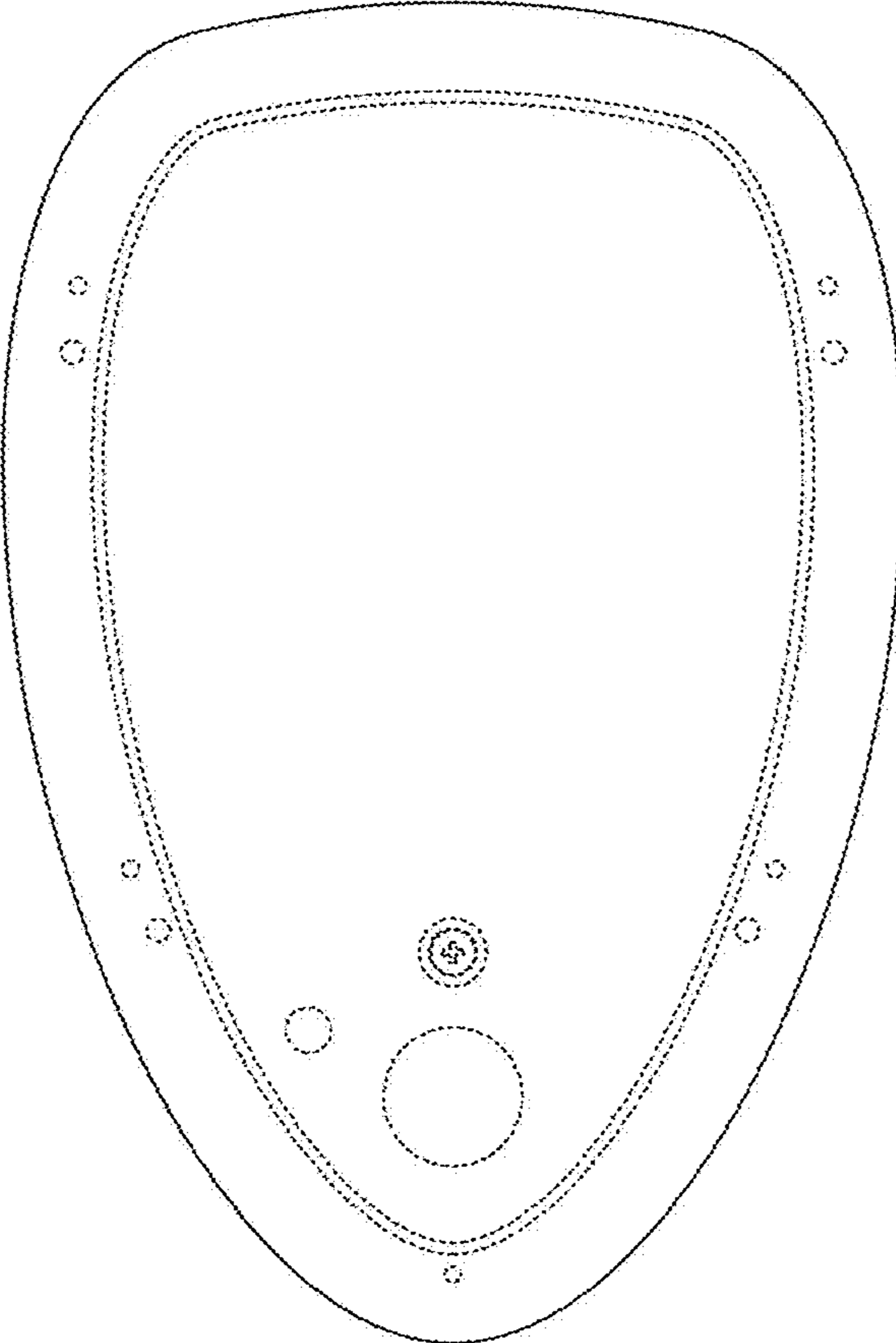


FIG. 7