



US00D812668S

(12) **United States Design Patent** (10) **Patent No.:** **US D812,668 S**
Elie (45) **Date of Patent:** **** Mar. 13, 2018**

(54) **CAMERA WITH SOLAR PANEL**

(71) Applicant: **ENLAPS**, Meylan (FR)
(72) Inventor: **Jerome Elie**, Grenoble (FR)
(73) Assignee: **Enlaps**, Meylan (FR)
(**) Term: **15 Years**

(21) Appl. No.: **35/500,706**

(22) Filed: **Feb. 22, 2016**

(80) **Hague Agreement Data**

Int. Filing Date: **Feb. 22, 2016**
Int. Reg. No.: **DM/089572**
Int. Reg. Date: **Feb. 22, 2016**
Int. Reg. Pub. Date: **Mar. 11, 2016**

(30) **Foreign Application Priority Data**

Aug. 23, 2015 (FR) 20154041

(51) **LOC (11) Cl.** **16-01**

(52) **U.S. Cl.**
USPC **D16/202**

(58) **Field of Classification Search**
USPC D16/200, 208, 210, 211–212, 221, 229;
396/427, 535–541; 348/143, 373–376
See application file for complete search history.

(56) **References Cited**

U.S. PATENT DOCUMENTS

D671,975 S * 12/2012 Siann D16/203

OTHER PUBLICATIONS

<https://www.kickstarter.com/projects/885592927/enlaps-world-1st-unlimited-time-lapse-photography>, Dec. 10, 2015.*
<https://www.cinema5d.com/enlaps-tikee-camera-on-kickstarter-makes-timelapse-simple/>, Dec. 10, 2015.*

* cited by examiner

Primary Examiner — Richard E Chilcot

(74) *Attorney, Agent, or Firm* — TraskBritt

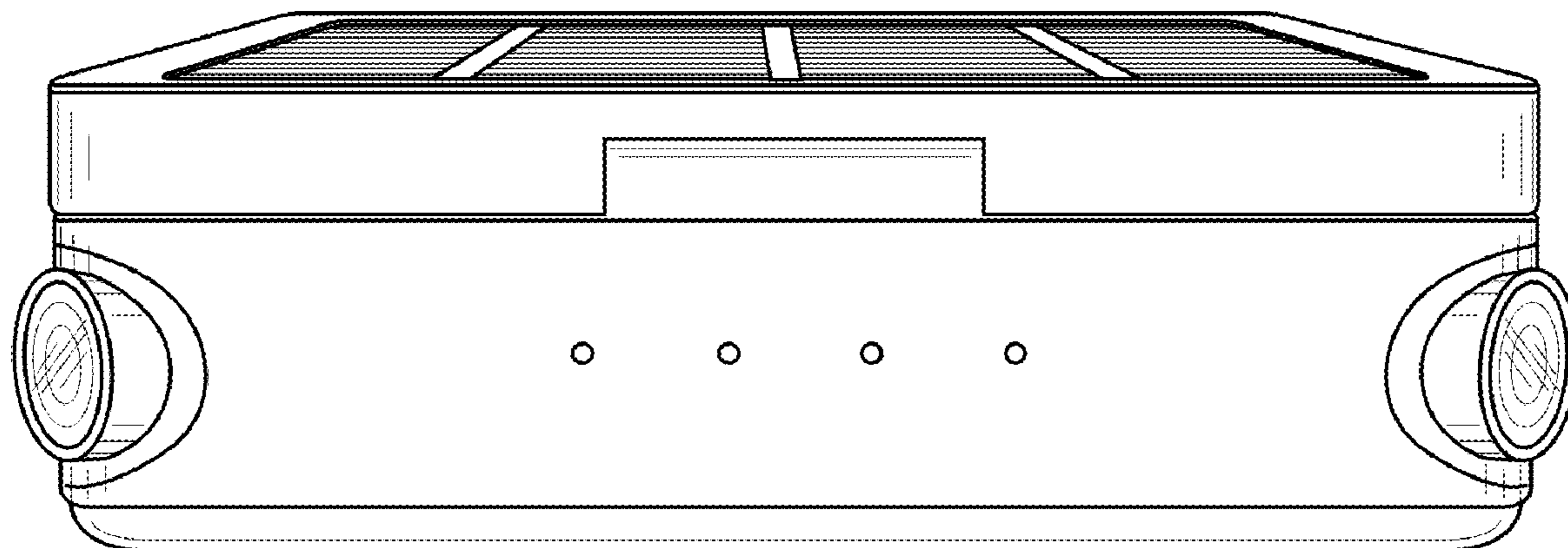
(57) **CLAIM**

The ornamental design for a camera with solar panel, as shown and described.

DESCRIPTION

1. Camera with flash lamp
FIG. 1.1 is a front perspective view of a camera with solar panel in closed position showing my new design;
FIG. 1.2 is a rear right perspective view thereof showing solar panel in open position;
FIG. 1.3 is a front right perspective view thereof showing solar panel in a rotated open position;
FIG. 1.4 is a bottom right perspective view thereof showing solar panel in closed position; and
FIG. 1.5 is a side view thereof showing solar panel in closed position.

1 Claim, 3 Drawing Sheets



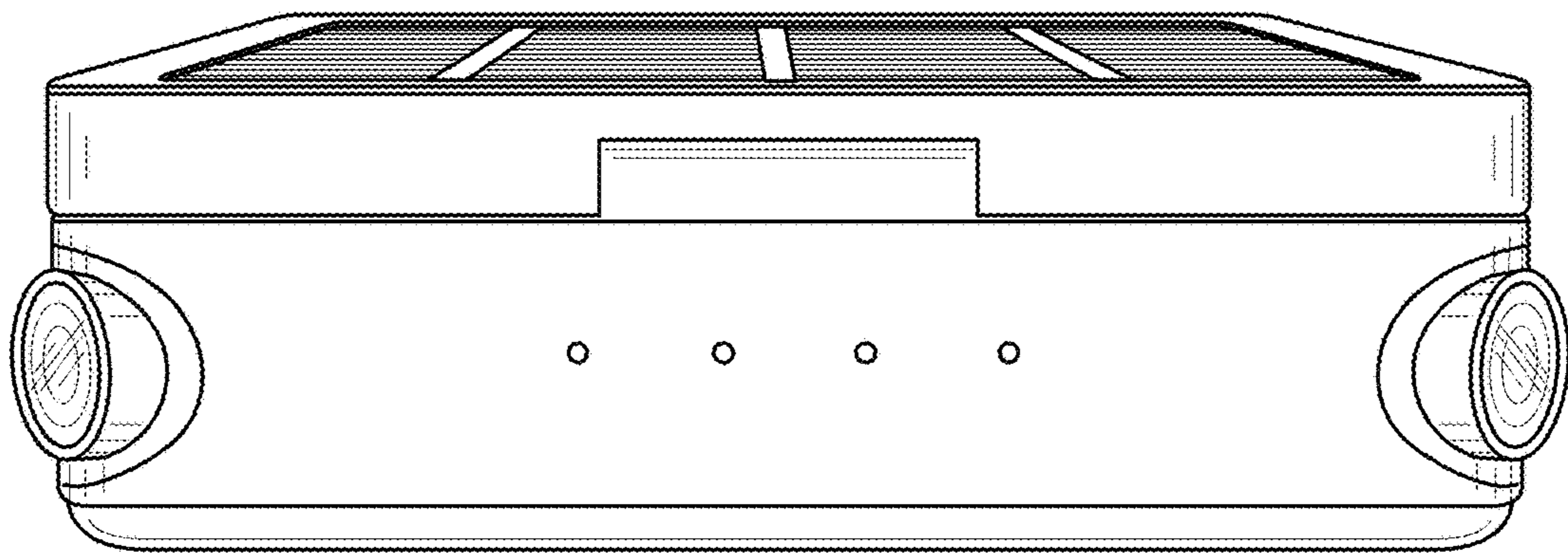


FIG. 1.1

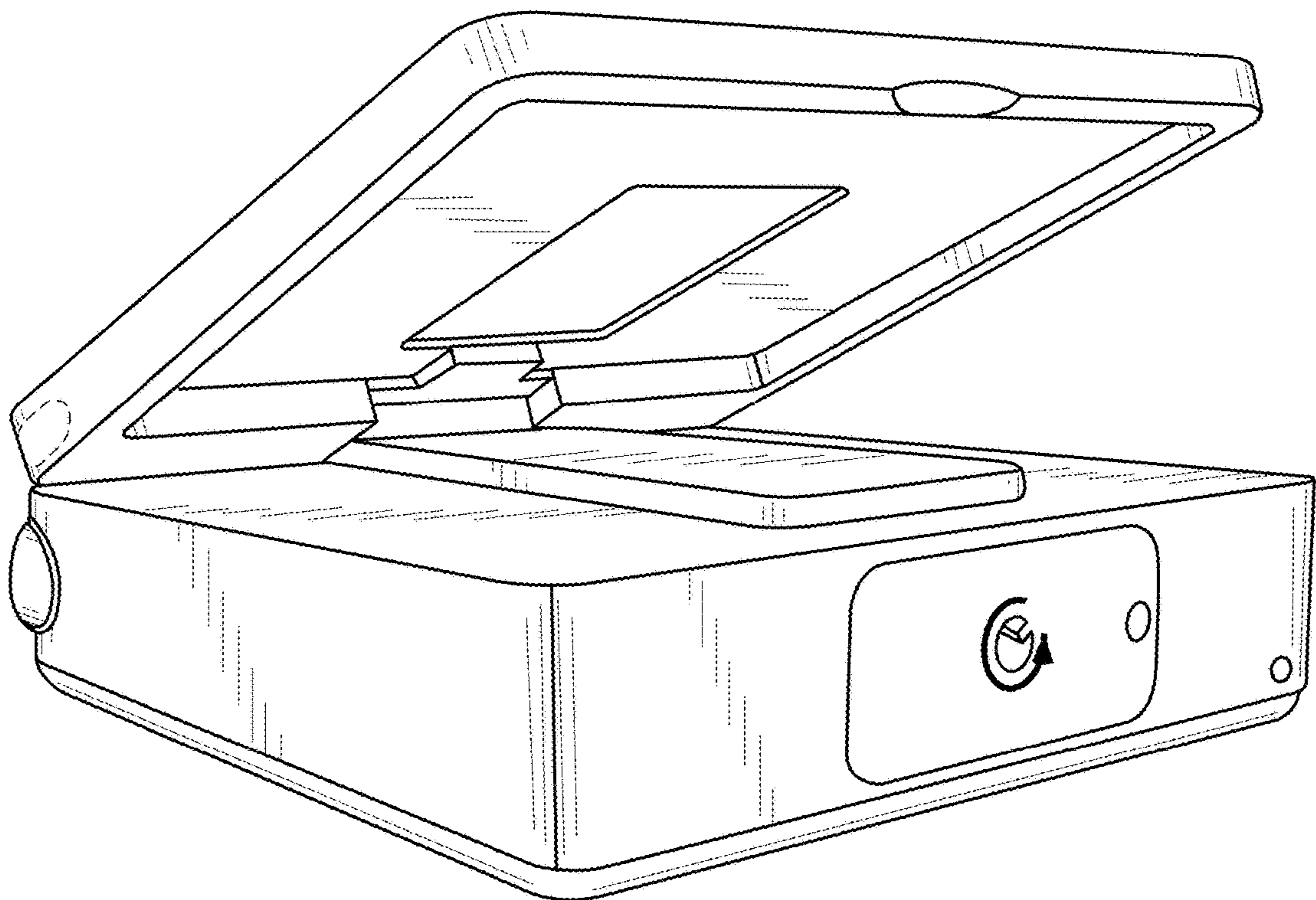


FIG. 1.2

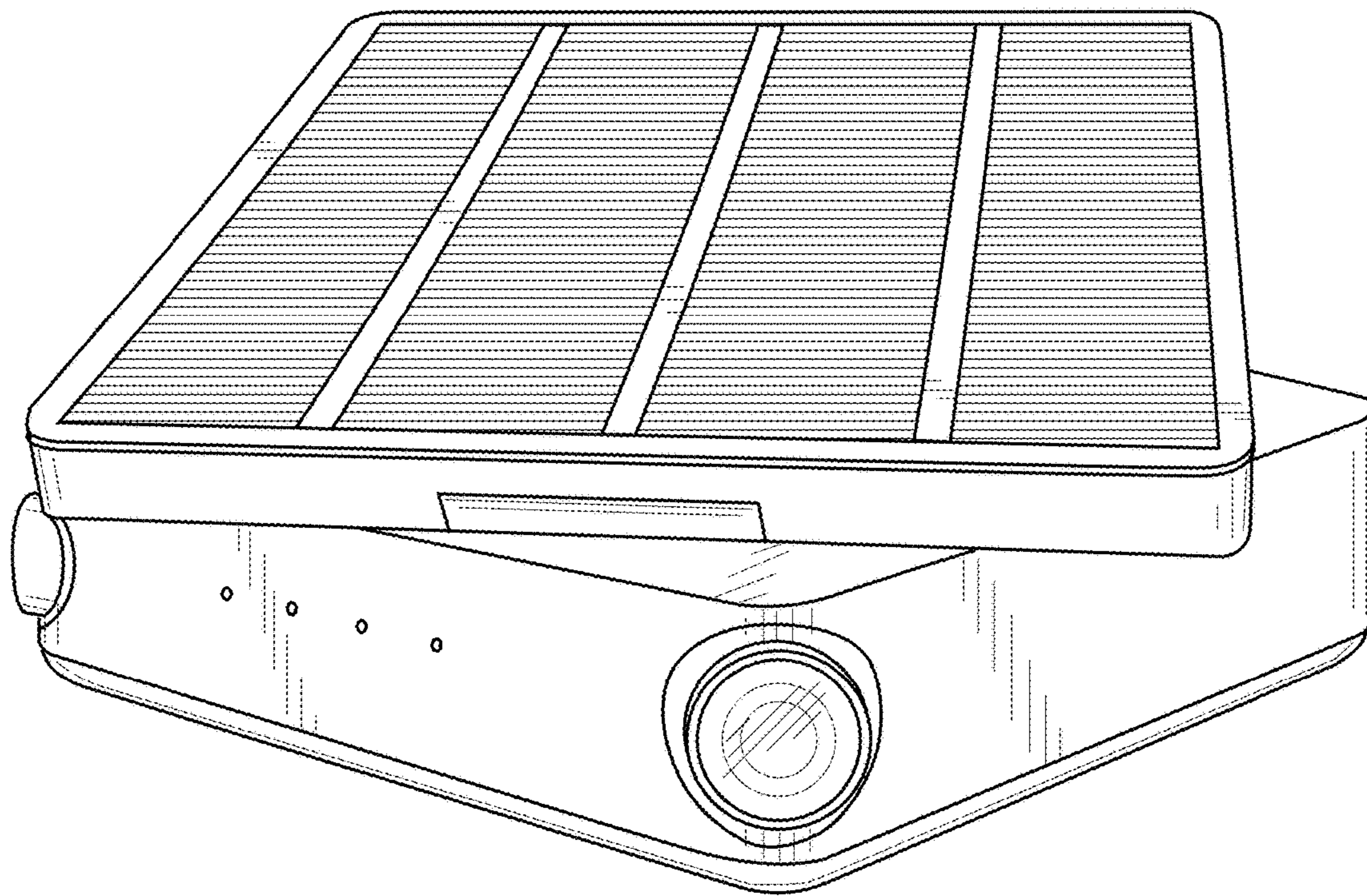


FIG. 1.3

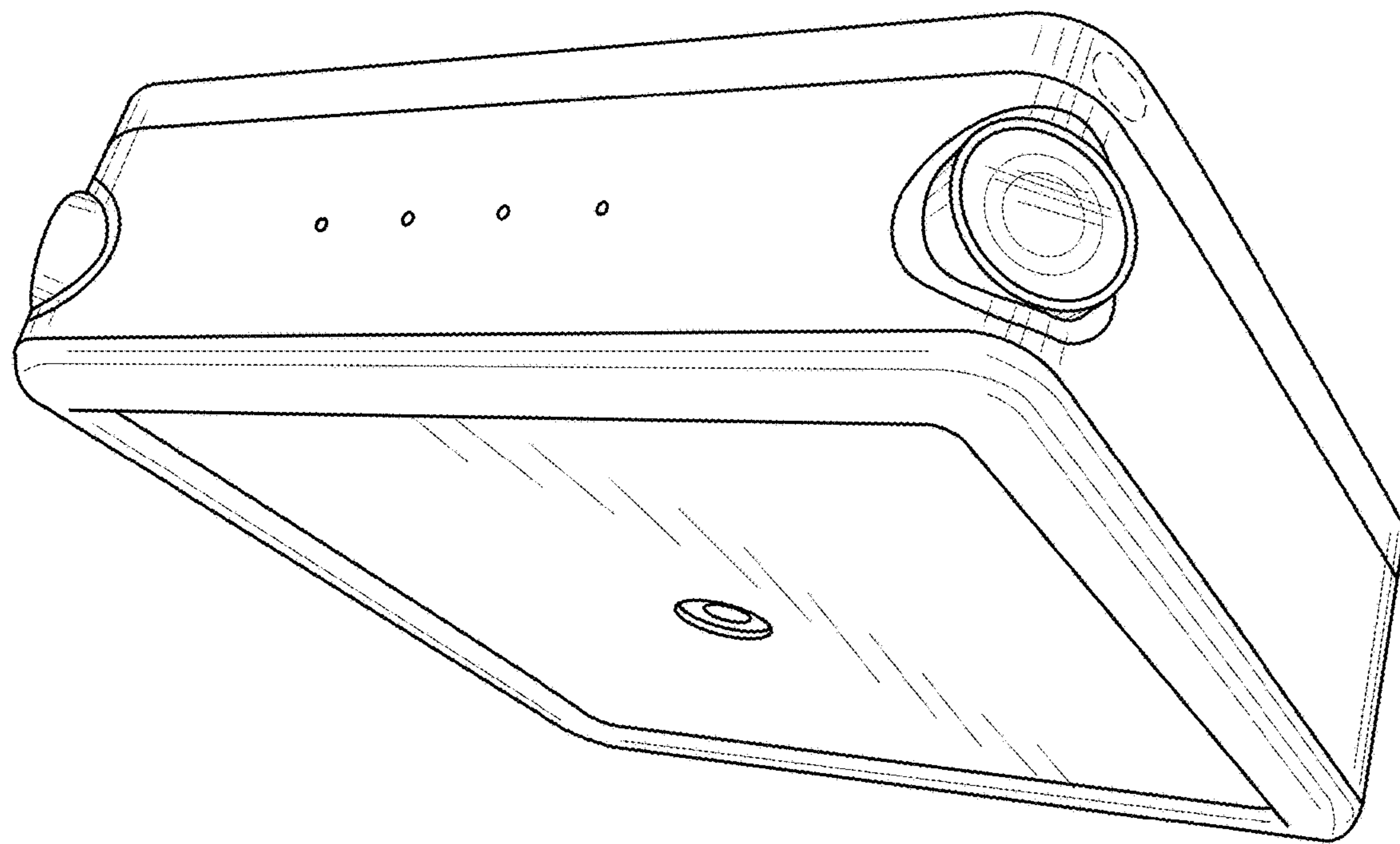


FIG. 1.4

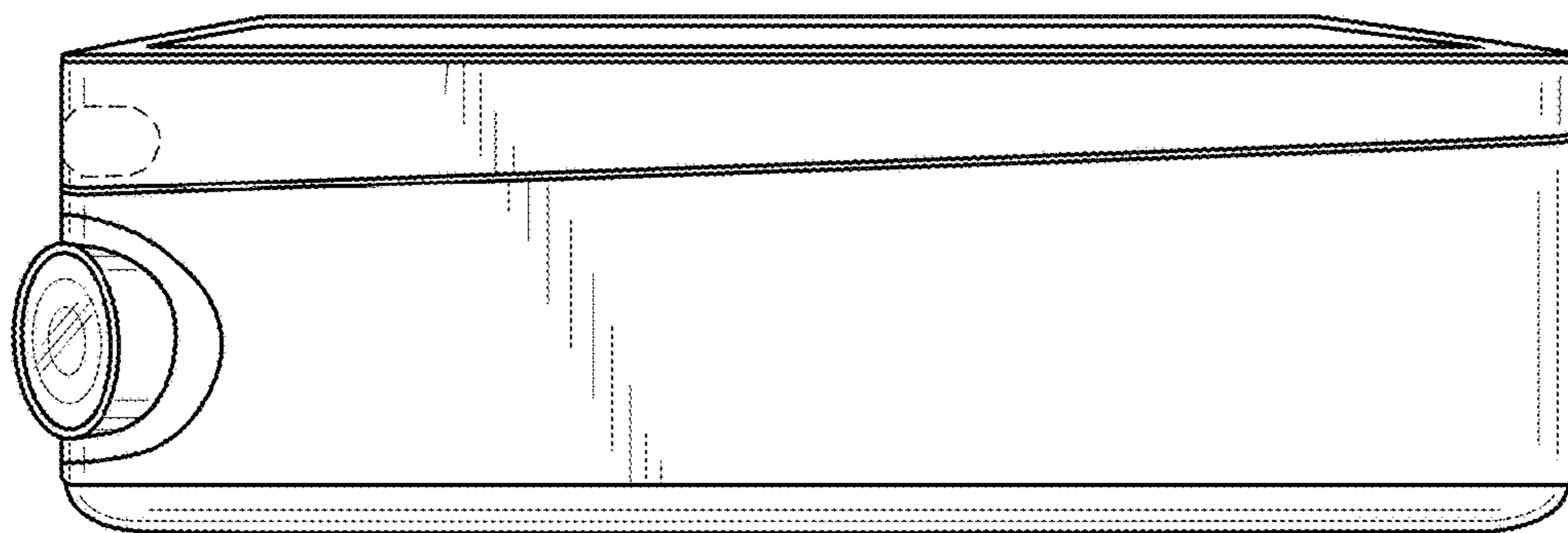


FIG. 1.5

UNITED STATES PATENT AND TRADEMARK OFFICE
CERTIFICATE OF CORRECTION

PATENT NO. : D812,668 S
APPLICATION NO. : 35/500706
DATED : March 13, 2018
INVENTOR(S) : Jerome Elie

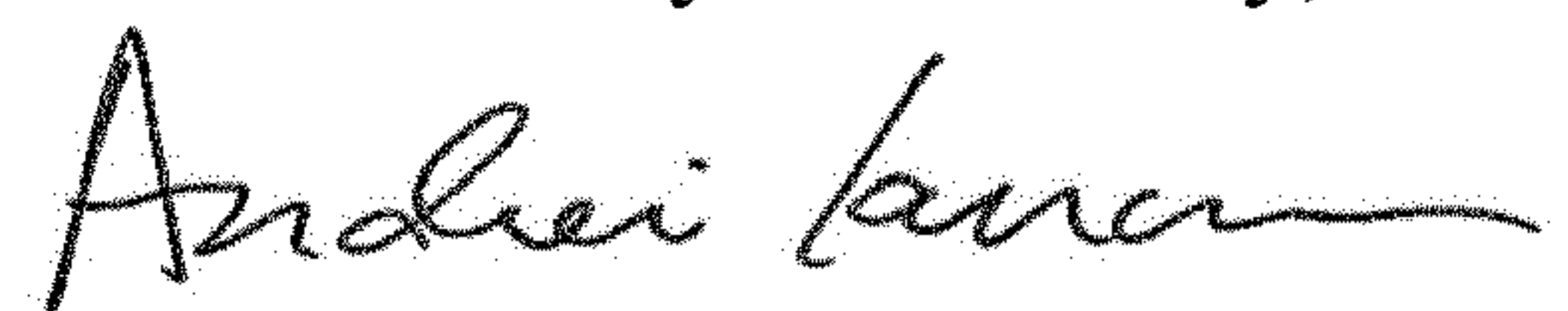
Page 1 of 1

It is certified that error appears in the above-identified patent and that said Letters Patent is hereby corrected as shown below:

On the Title Page

Item (57), Under DESCRIPTION: delete first line of text "1. Camera with flash lamp"

Signed and Sealed this
Nineteenth Day of February, 2019



Andrei Iancu
Director of the United States Patent and Trademark Office