



US00D812667S

(12) **United States Design Patent**
Kubo et al.

(10) **Patent No.:** **US D812,667 S**
(45) **Date of Patent:** **** Mar. 13, 2018**

(54) **VIDEO CAMERA**

(71) Applicant: **JVC KENWOOD Corporation**,
Yokohama-shi, Kanagawa (JP)

(72) Inventors: **Katsuhiko Kubo**, Yokohama (JP); **Keiji Tsuchiya**, Yokohama (JP); **Hideyuki Matsumoto**, Yokohama (JP)

(73) Assignee: **JVC KENWOOD CORPORATION**,
Yokohama-Shi, Kanagawa (JP)

(**) Term: **15 Years**

(21) Appl. No.: **29/553,910**

(22) Filed: **Feb. 5, 2016**

(30) **Foreign Application Priority Data**

Aug. 7, 2015 (JP) D2015-017570

(51) **LOC (11) Cl.** **16-01**

(52) **U.S. Cl.**
USPC **D16/202**

(58) **Field of Classification Search**
USPC D3/267-269; D9/424-426, 430, 499;
D16/200-208, 211, 216-219, 221, 230,
D16/237

CPC .. G03B 17/08; G03B 17/568; G03B 2217/00;
H04N 5/2252; H04N 5/225

See application file for complete search history.

(56) **References Cited**

U.S. PATENT DOCUMENTS

D382,578 S * 8/1997 Cieslikowski D16/200
D474,221 S * 5/2003 Cheng D16/218
D496,382 S * 9/2004 Yamakami D16/200
D504,904 S * 5/2005 Nagai D16/203
D510,376 S * 10/2005 Yamakami D16/200

D515,610 S * 2/2006 Yamakami D16/200
D539,319 S * 3/2007 Masamitsu D16/200
D550,742 S * 9/2007 Ishii D16/200
D616,481 S * 5/2010 Wampler D16/208
D628,614 S * 12/2010 Barley D16/203
D646,313 S * 10/2011 Woodman D16/200
D657,808 S * 4/2012 Woodman D16/200
D674,428 S * 1/2013 Woodman D16/207
D674,429 S * 1/2013 Woodman D16/207
D699,775 S * 2/2014 Li D16/200
D699,777 S * 2/2014 Li D16/200
D702,277 S * 4/2014 Woodman D16/218
D702,747 S * 4/2014 Woodman D16/200
D719,601 S * 12/2014 Richardson D16/218
2014/0104488 A1 * 4/2014 Samuels H04N 5/2252
348/374

* cited by examiner

Primary Examiner — Susan E Krakower

Assistant Examiner — L. A. Grabenstetter

(74) *Attorney, Agent, or Firm* — Cantor Colburn LLP

(57) **CLAIM**

The ornamental design for a video camera, as shown and described.

DESCRIPTION

FIG. 1 is a front and right side perspective view of a video camera.

FIG. 2 is a front view of the video camera of FIG. 1.

FIG. 3 is a rear view of the video camera of FIG. 1.

FIG. 4 is a top view of the video camera of FIG. 1.

FIG. 5 is a bottom view of the video camera of FIG. 1.

FIG. 6 is a right side view of the video camera of FIG. 1; and,

FIG. 7 is a left side view of the video camera of FIG. 1.

The broken lines in the drawings are for the purpose of illustrating portions of the video camera that form no part of the claimed design.

1 Claim, 7 Drawing Sheets

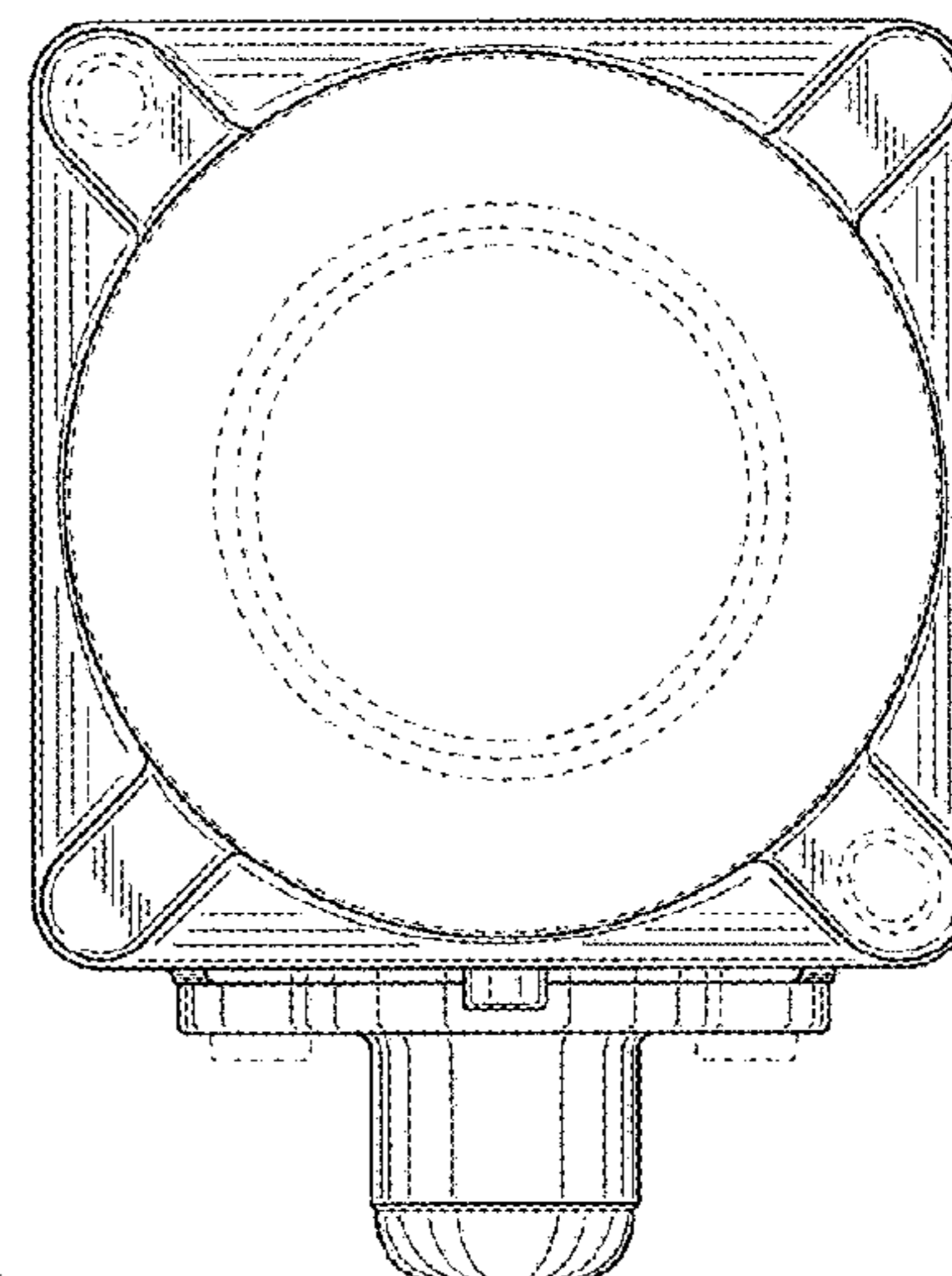
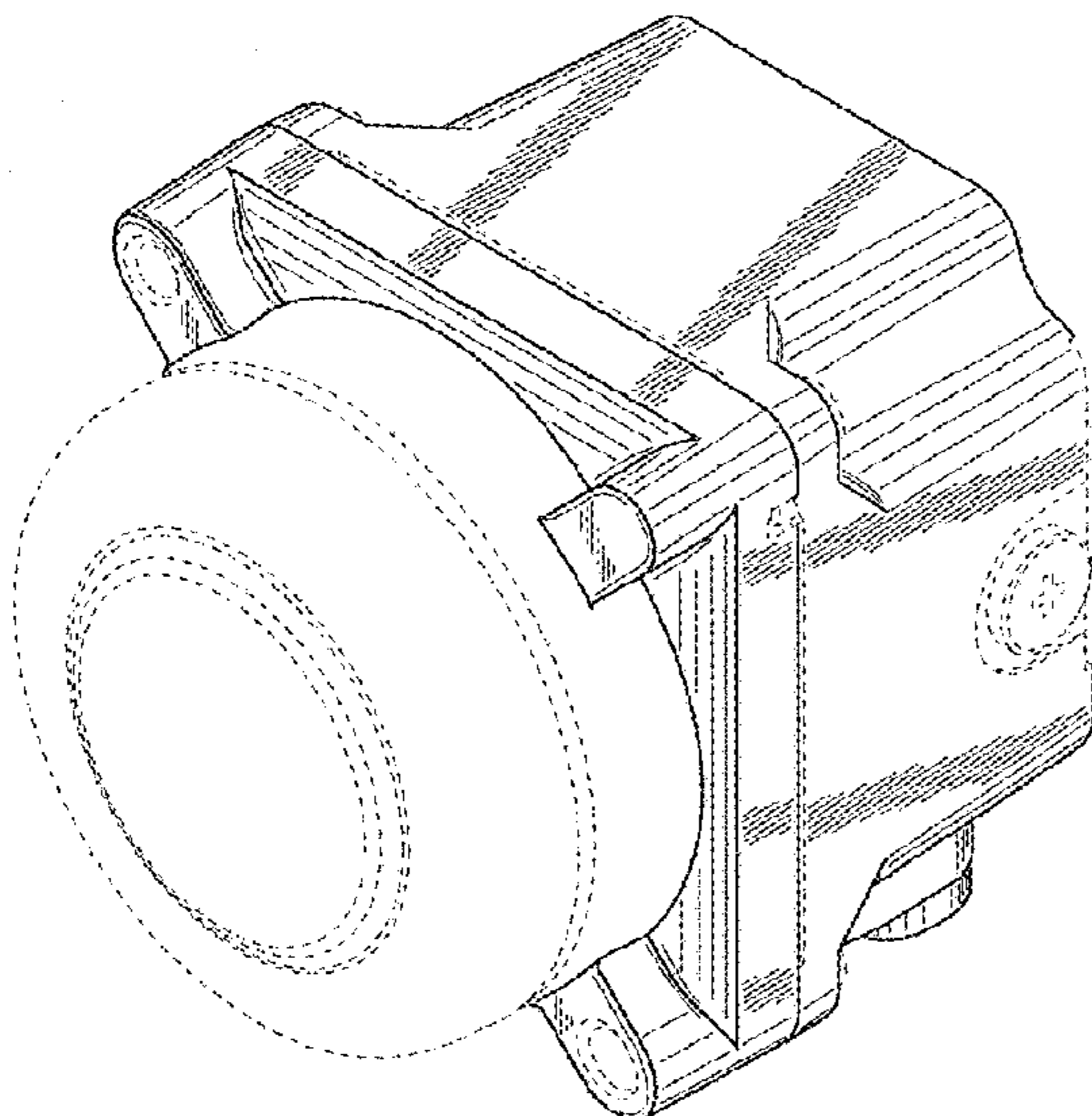


FIG. 1

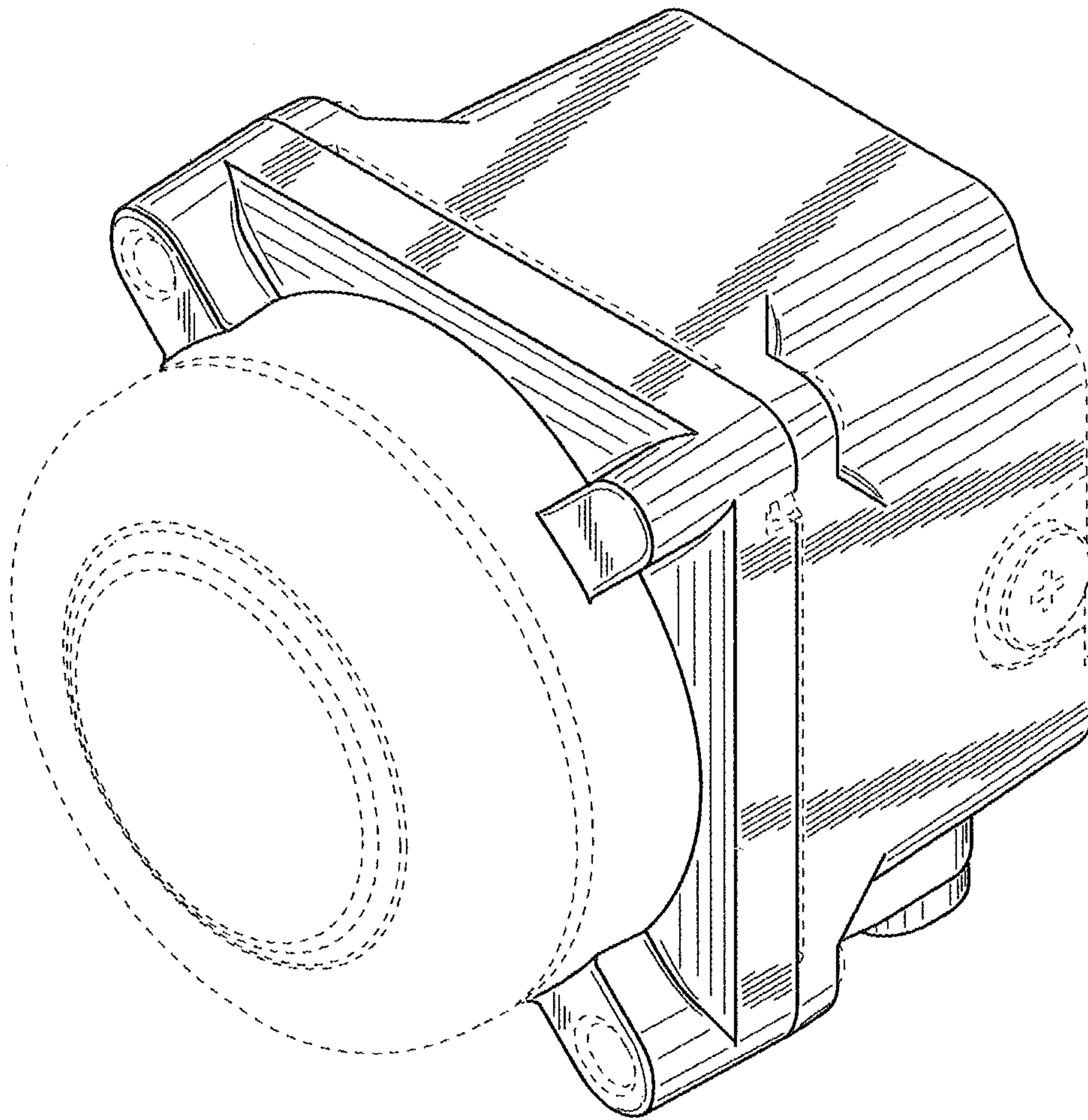


FIG. 2

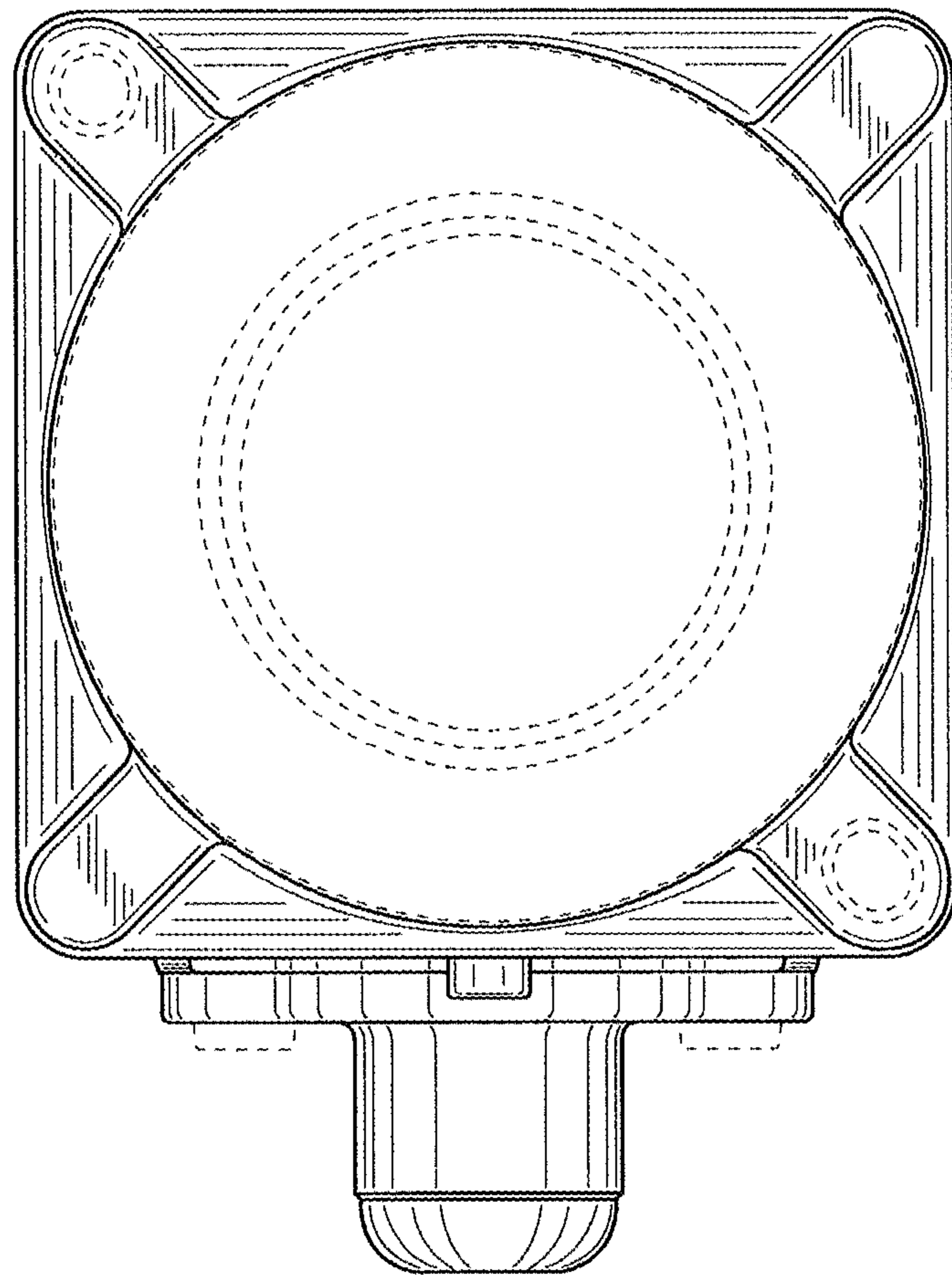


FIG. 3

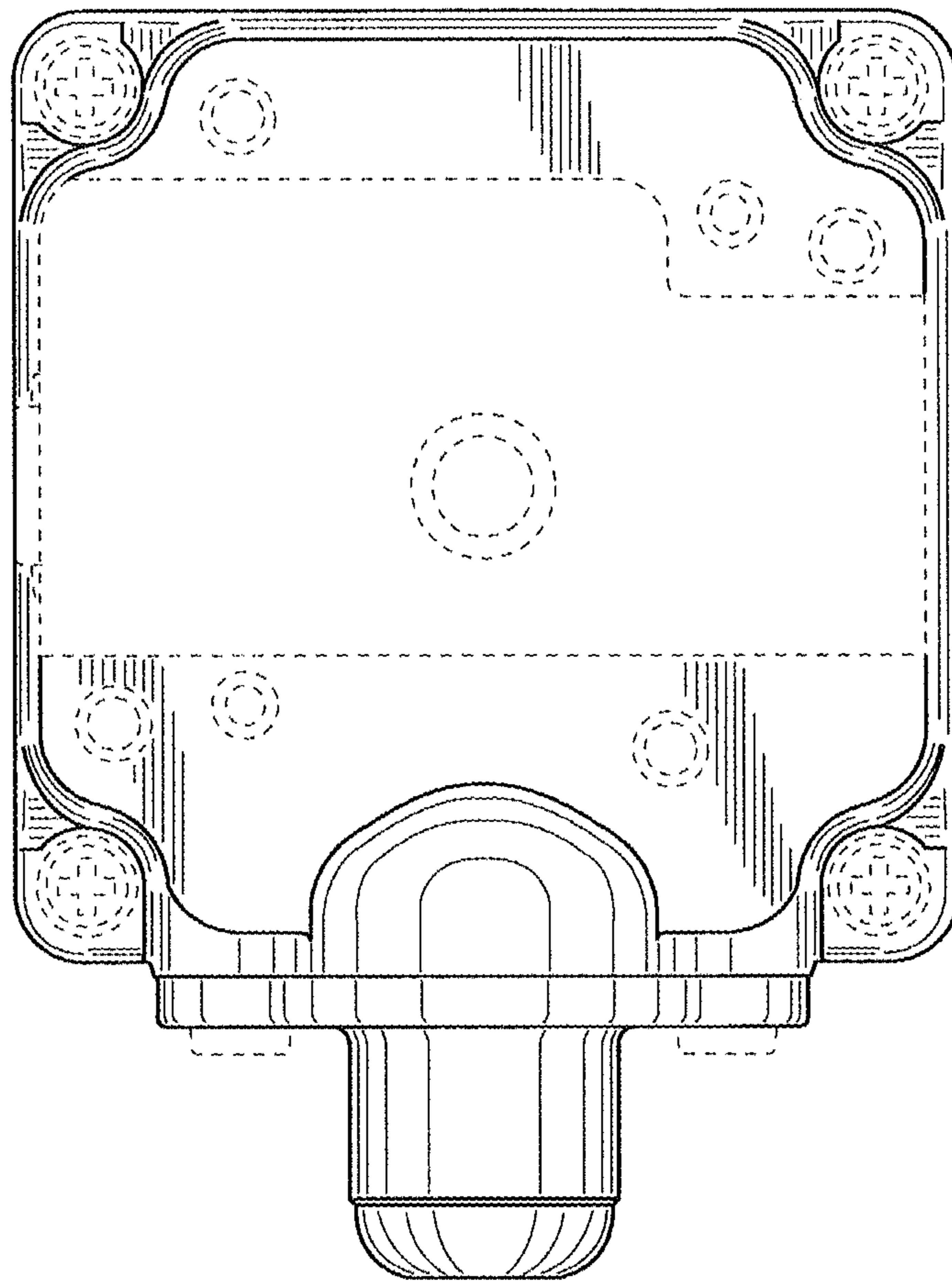


FIG. 4

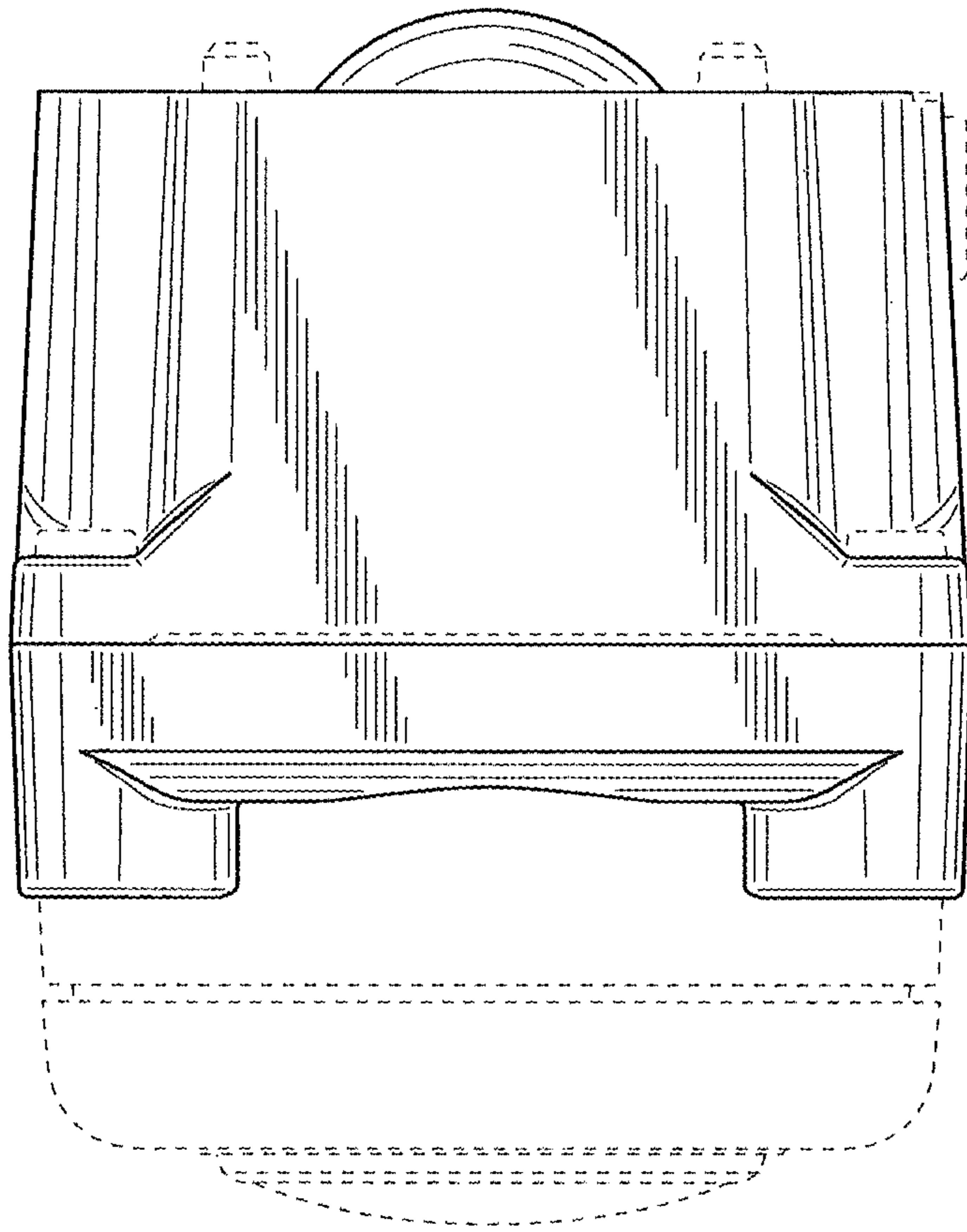


FIG. 5

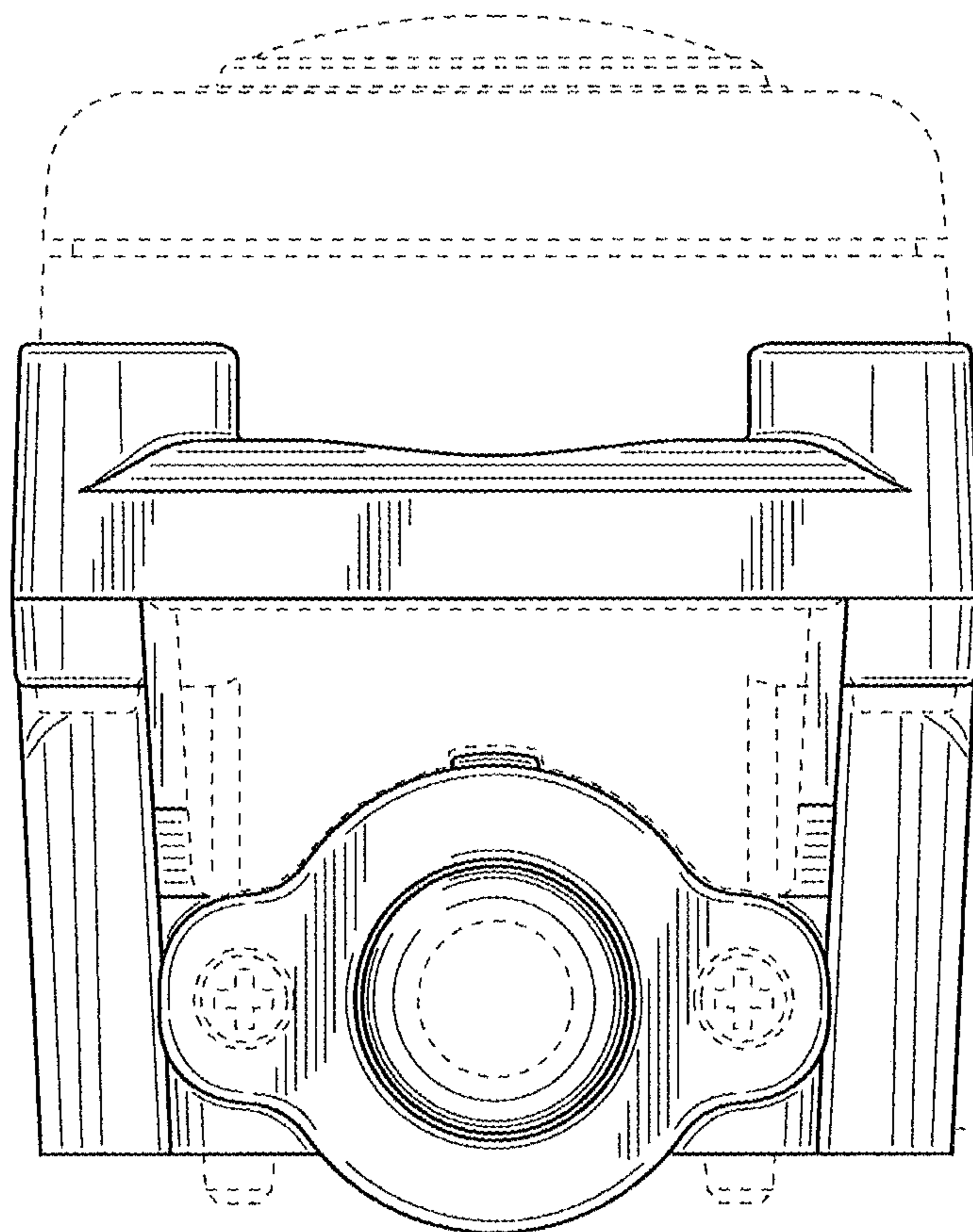


FIG. 6

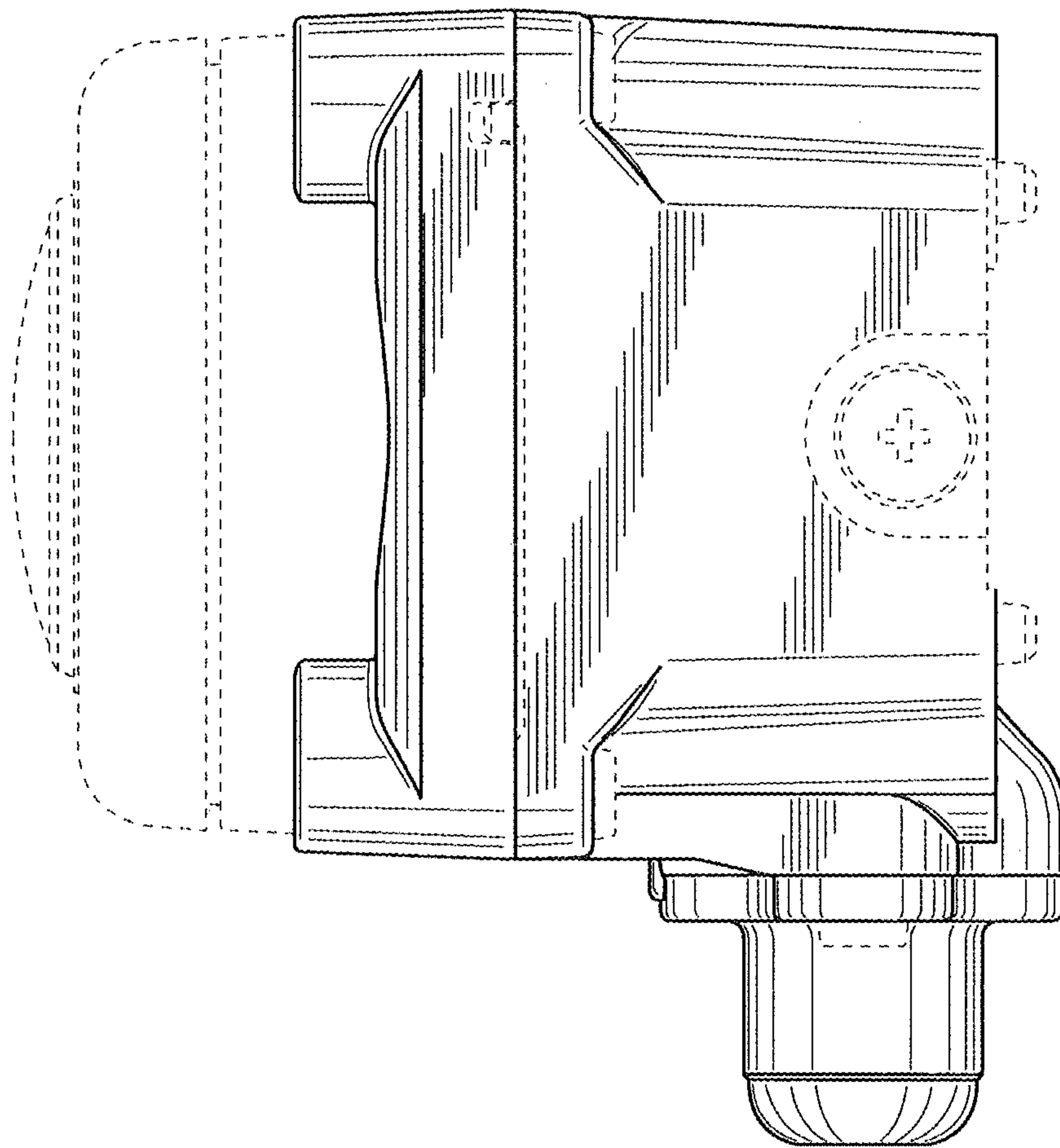


FIG. 7

