



US00D812666S

(12) **United States Design Patent**  
**Huang**

(10) **Patent No.:** **US D812,666 S**  
(45) **Date of Patent:** **\*\* Mar. 13, 2018**

(54) **MAGNIFIER WITH LIGHTING  
ARRANGEMENT**

(71) Applicant: **Kuan Da Huang**, Alhambra, CA (US)

(72) Inventor: **Kuan Da Huang**, Alhambra, CA (US)

(\*\*) Term: **15 Years**

(21) Appl. No.: **29/569,573**

(22) Filed: **Jun. 29, 2016**

(51) **LOC (11) Cl.** ..... **16-06**

(52) **U.S. Cl.**  
USPC ..... **D16/135**

(58) **Field of Classification Search**  
USPC ..... D24/138; D26/37, 62; D16/130-136  
CPC ..... F21L 2/00; F21L 4/00; F21L 4/005; F21L  
17/00; F21L 13/08; F21Y 2101/00; F21V  
21/406; F21W 2131/406; F21W 2131/407  
See application file for complete search history.

(56) **References Cited**

**U.S. PATENT DOCUMENTS**

D243,394 S *	2/1977	Nerad	351/159.02
D424,725 S *	5/2000	Cousins	D26/37
D425,225 S *	5/2000	Holderfield	D26/37
D492,713 S *	7/2004	Yip	D16/135
D580,466 S *	11/2008	Pola	D16/135
D580,573 S *	11/2008	Leslie	D26/37
D599,390 S *	9/2009	Takishima	D16/135
D600,729 S *	9/2009	Takishima	D16/135
D602,060 S *	10/2009	Takishima	D16/135
D603,438 S *	11/2009	Takishima	D16/130

D631,075 S *	1/2011	Liu	D16/134
D690,343 S *	9/2013	Yip	D16/135
D758,466 S *	6/2016	Liu	D16/135
D790,619 S *	6/2017	Huang	D16/135

**OTHER PUBLICATIONS**

Magnifier with Lighting Arrangement | Menas LUX Illuminated Stand Magnifier | Amazon, post date Aug. 6, 2015, © 1996-2017 amazon, [online], [site visited Aug. 14, 2017], Available at <https://www.amazon.com/Eschenbach-MenasLux-Illuminated-Stand-Magnifier/dp/B007HONU9A>.\*

\* cited by examiner

*Primary Examiner* — Sheryl Lane

*Assistant Examiner* — Jennifer M Campbell

(74) *Attorney, Agent, or Firm* — Tsz Lung Yeung

(57) **CLAIM**

The ornamental design for a magnifier with lighting arrangement, as shown and described.

**DESCRIPTION**

FIG. 1 is a top perspective view of a magnifier with lighting arrangement showing my new design.

FIG. 2 is a front view thereof.

FIG. 3 is a rear view thereof.

FIG. 4 is a left end view thereof.

FIG. 5 is a right end view thereof.

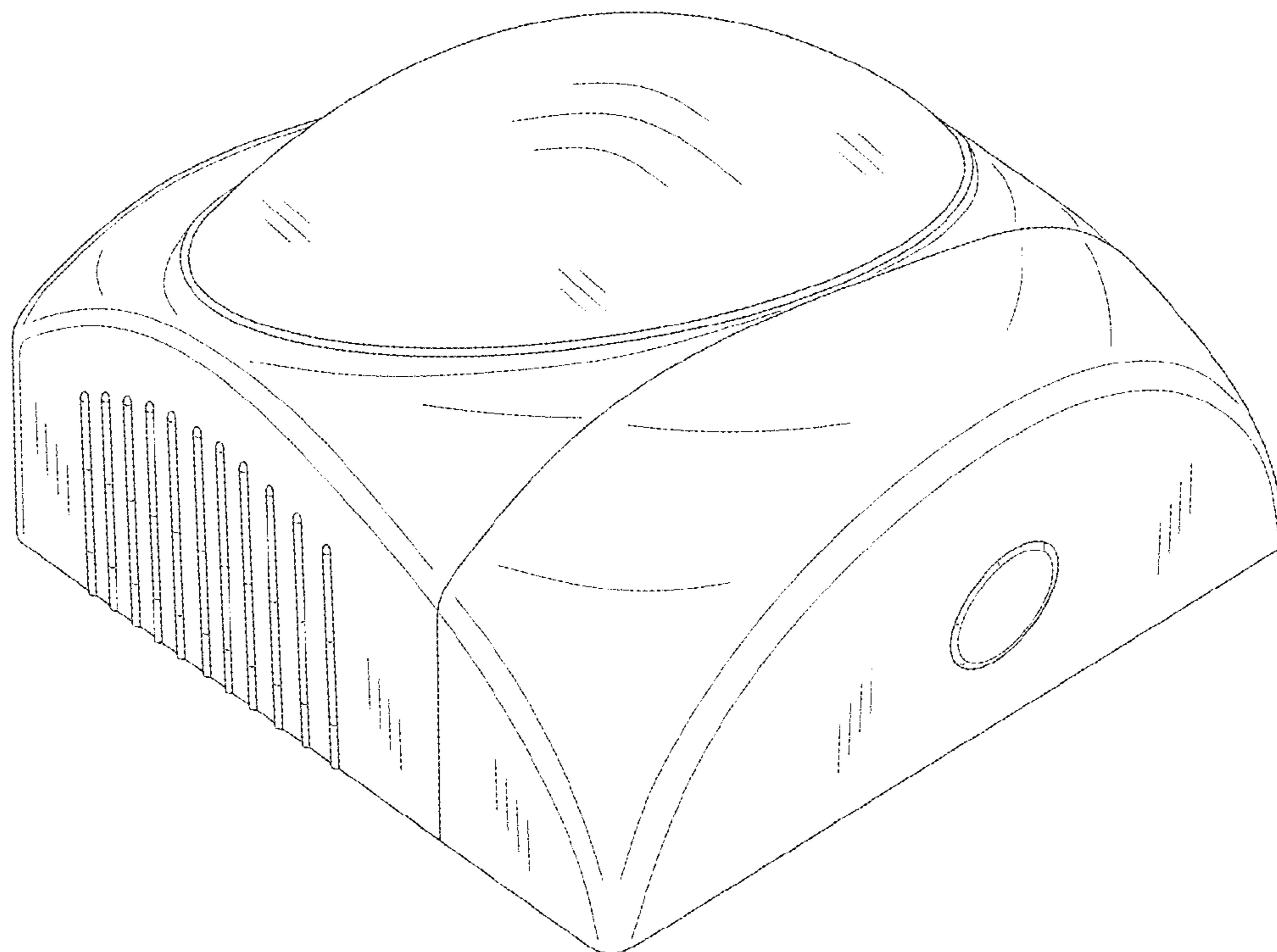
FIG. 6 is a top view thereof.

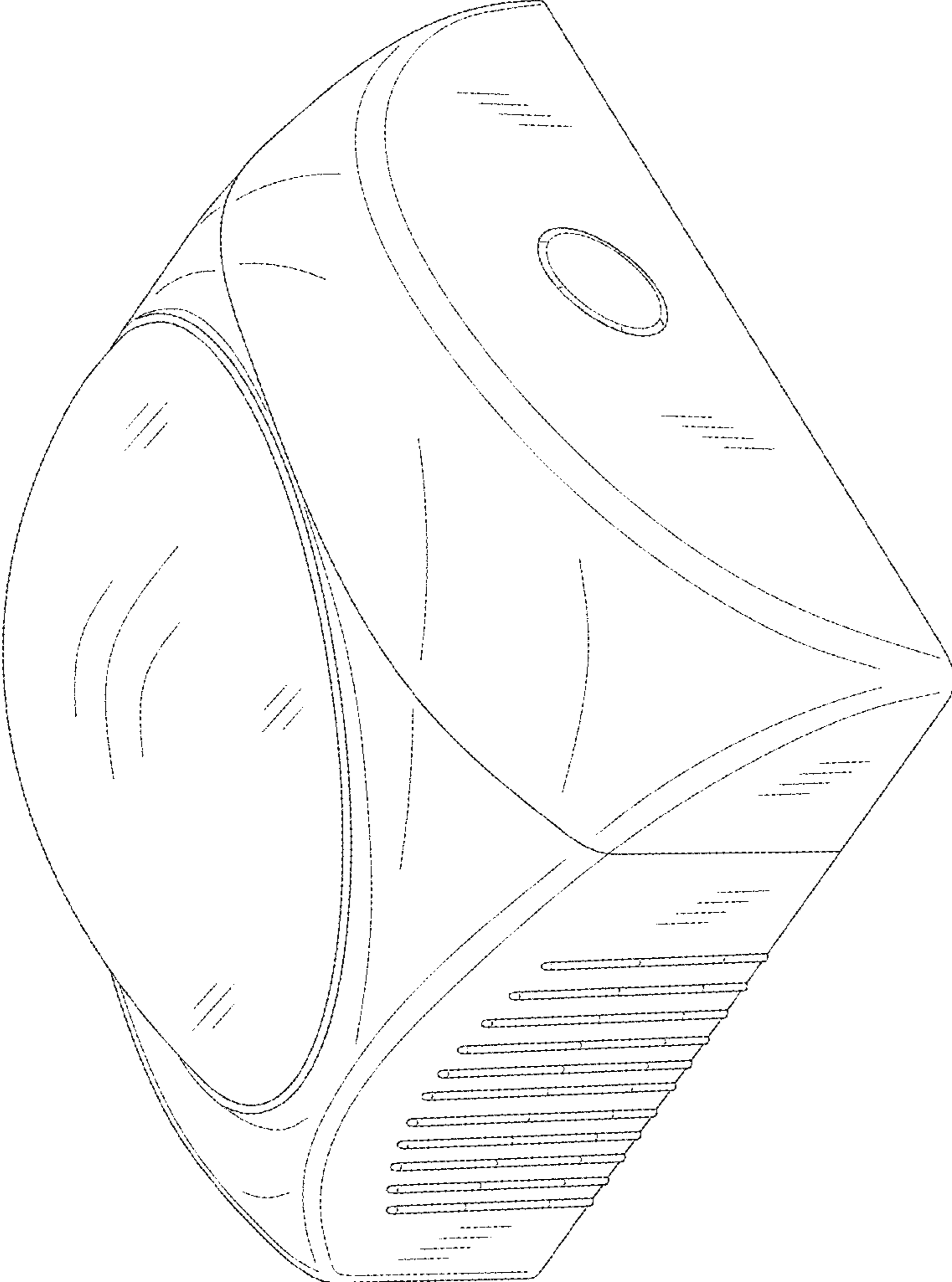
FIG. 7 is a bottom view thereof; and,

FIG. 8 is a bottom perspective view thereof.

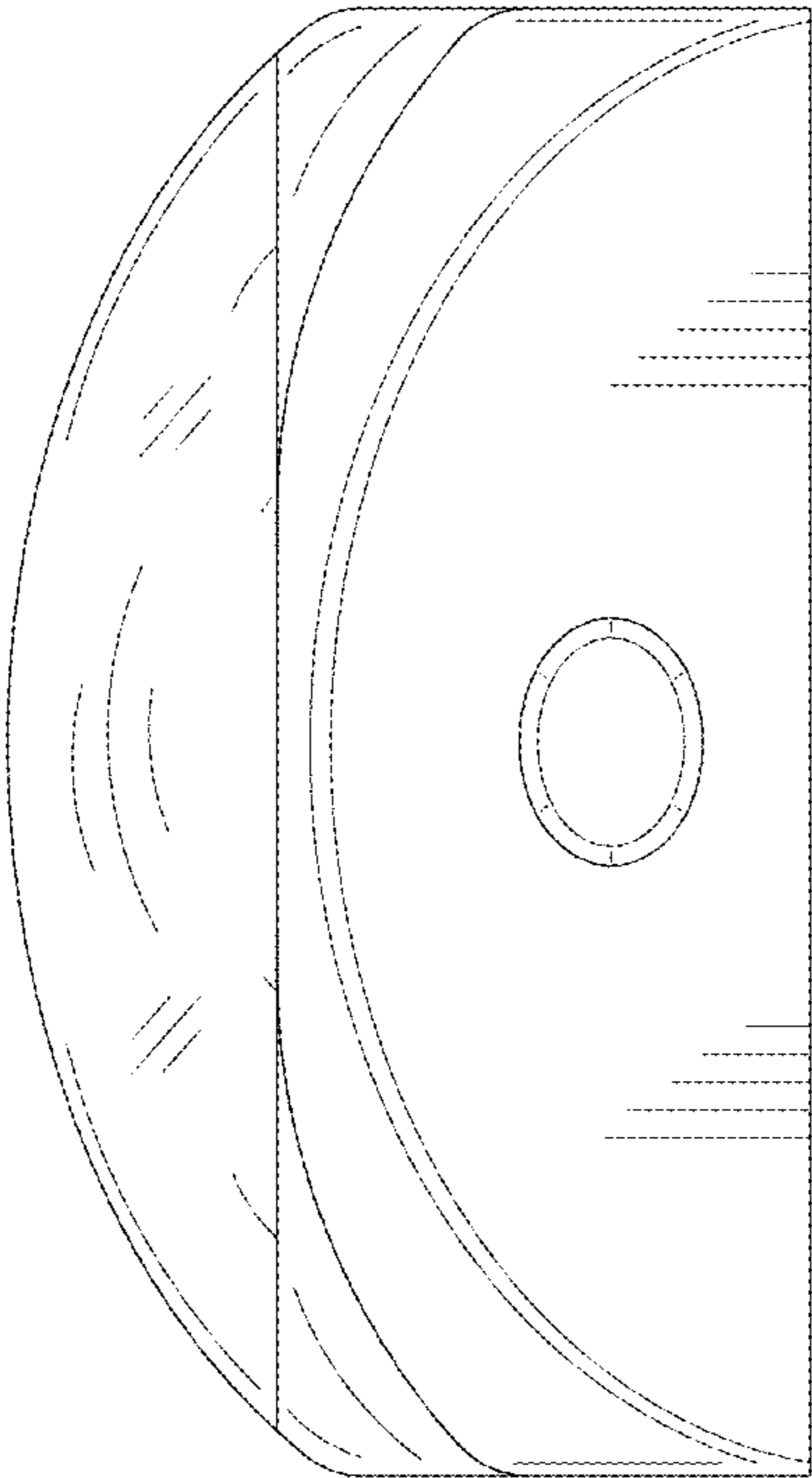
The broken lines in the drawings represent unclaimed portion and form no part of the claim.

**1 Claim, 8 Drawing Sheets**

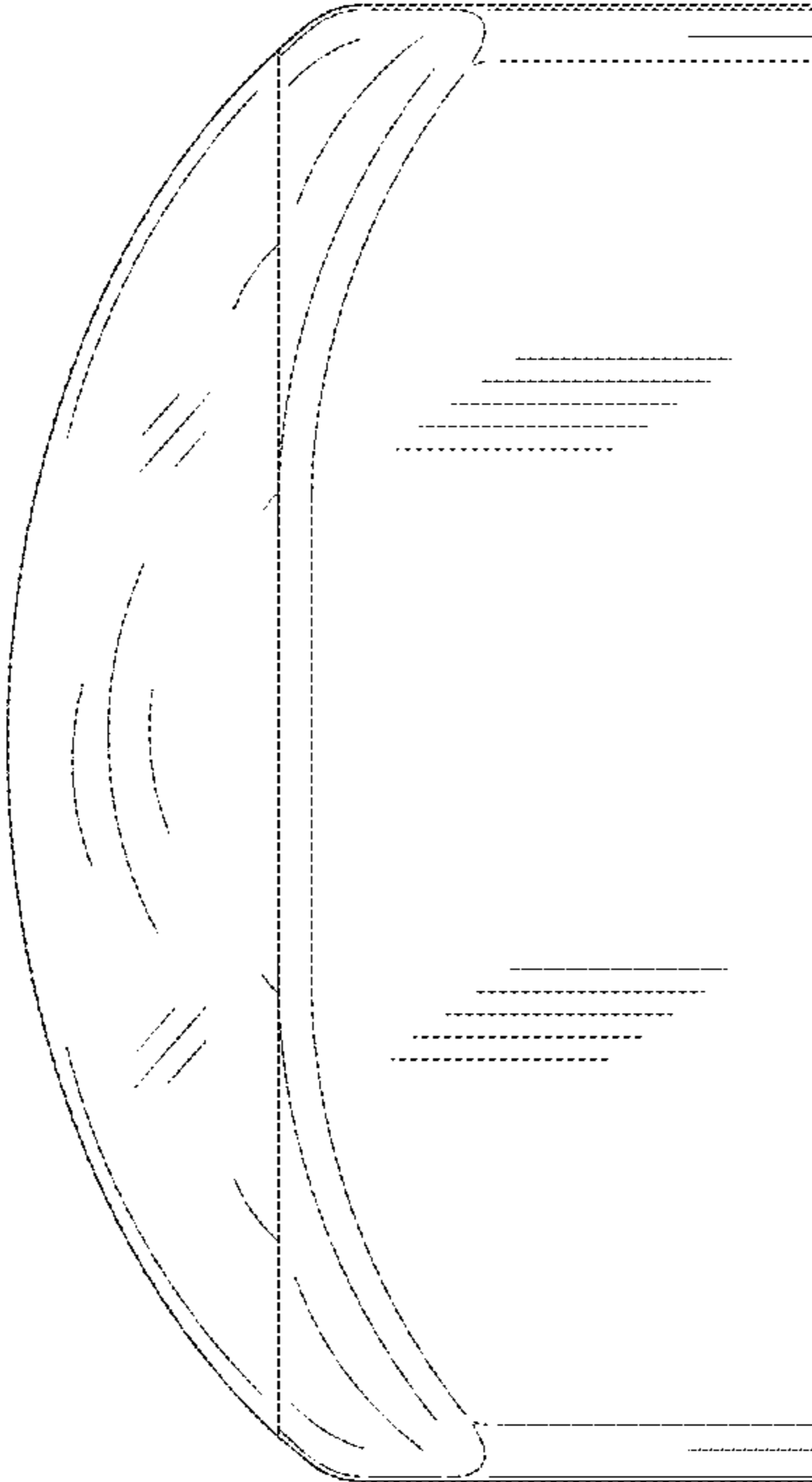




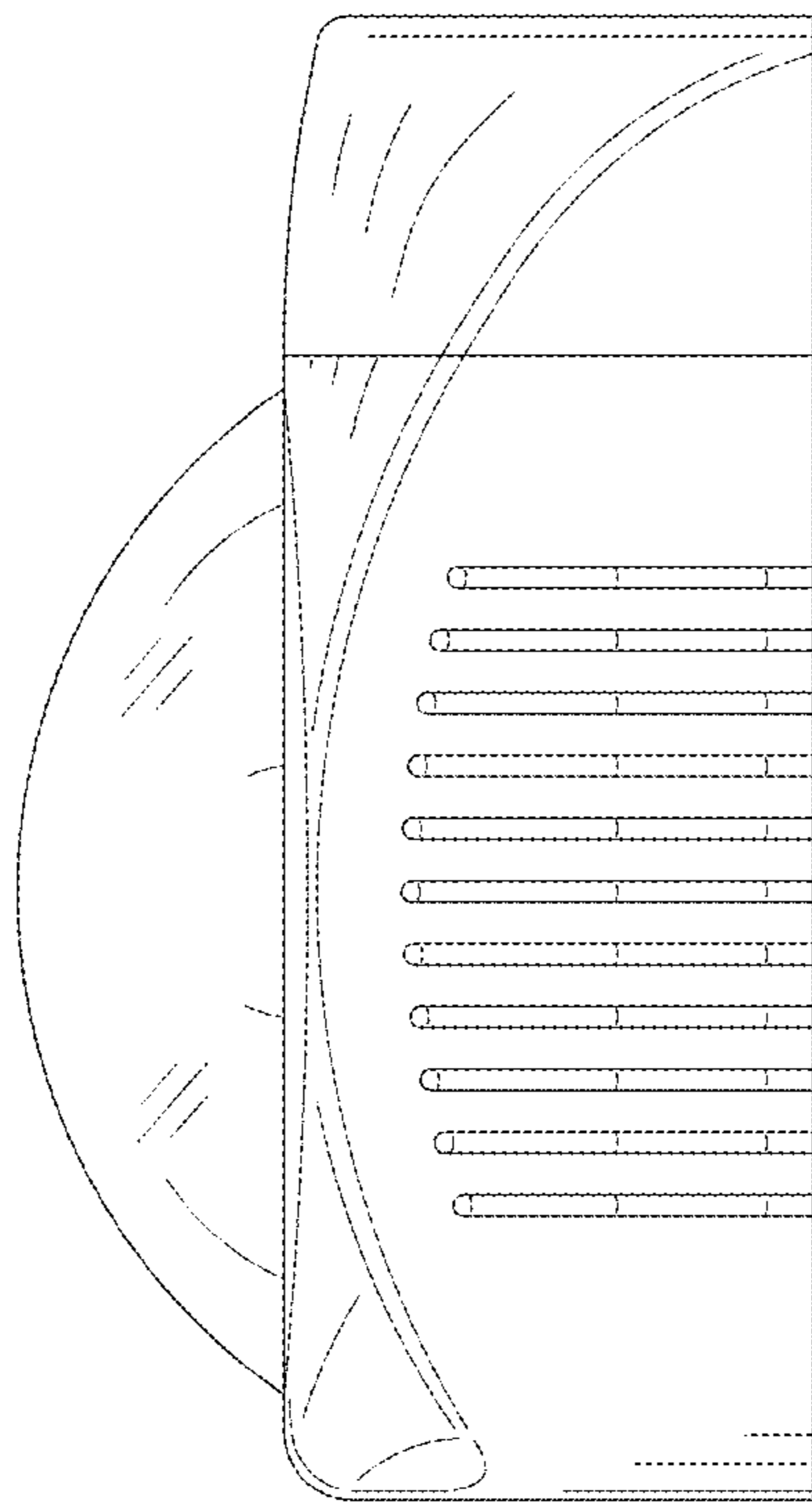
**FIG. 1**



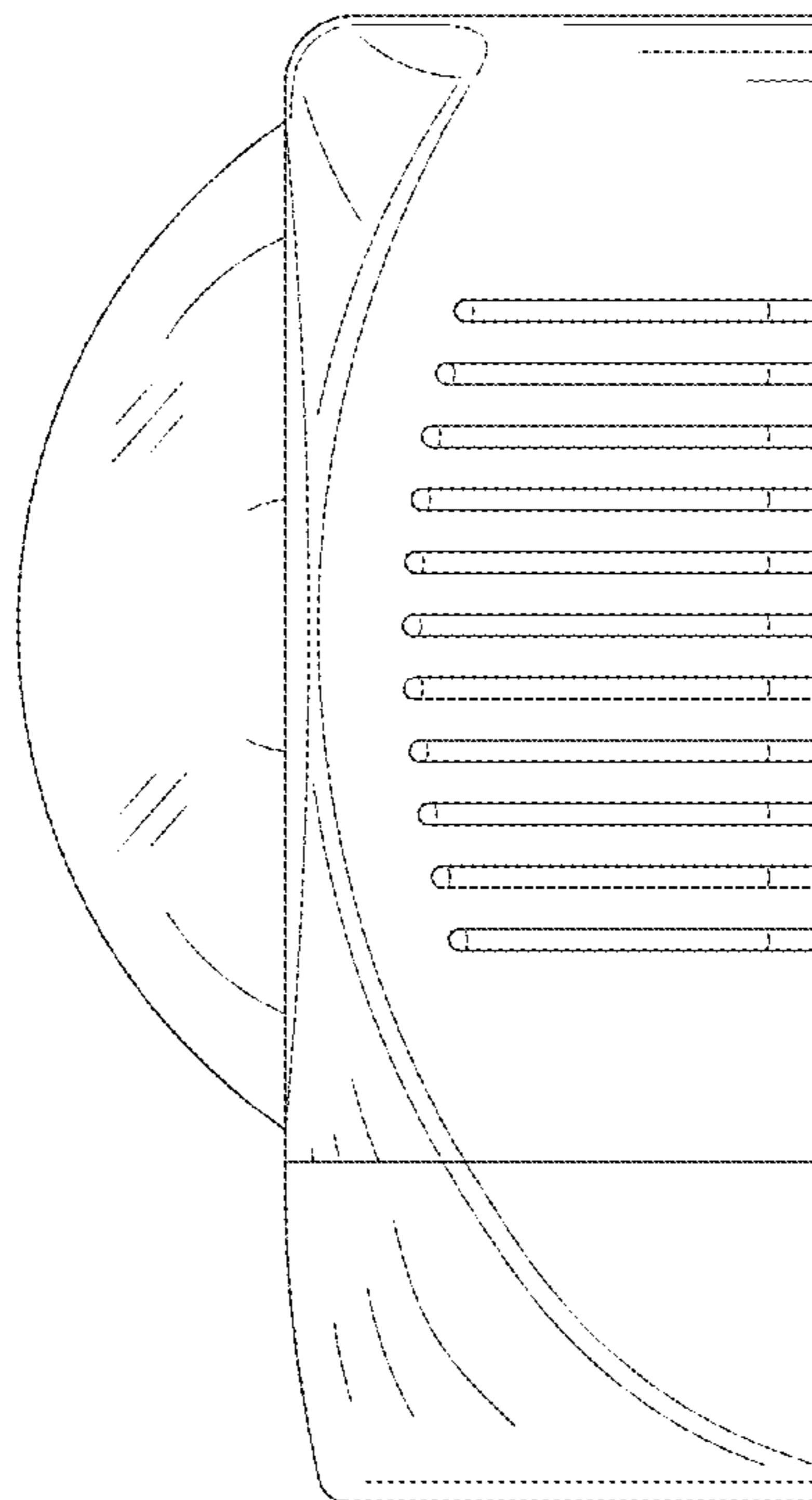
*FIG. 2*



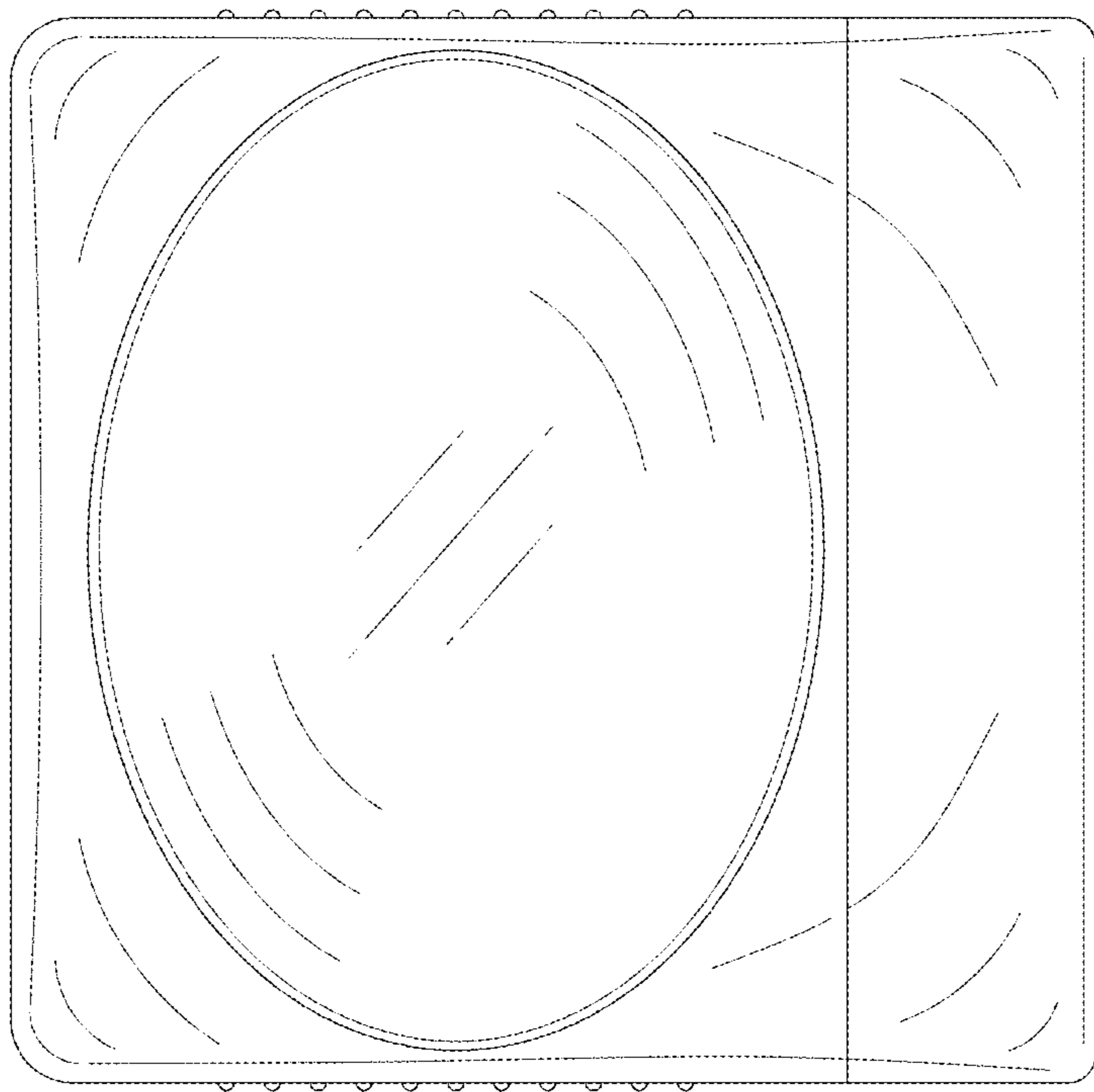
*FIG. 3*



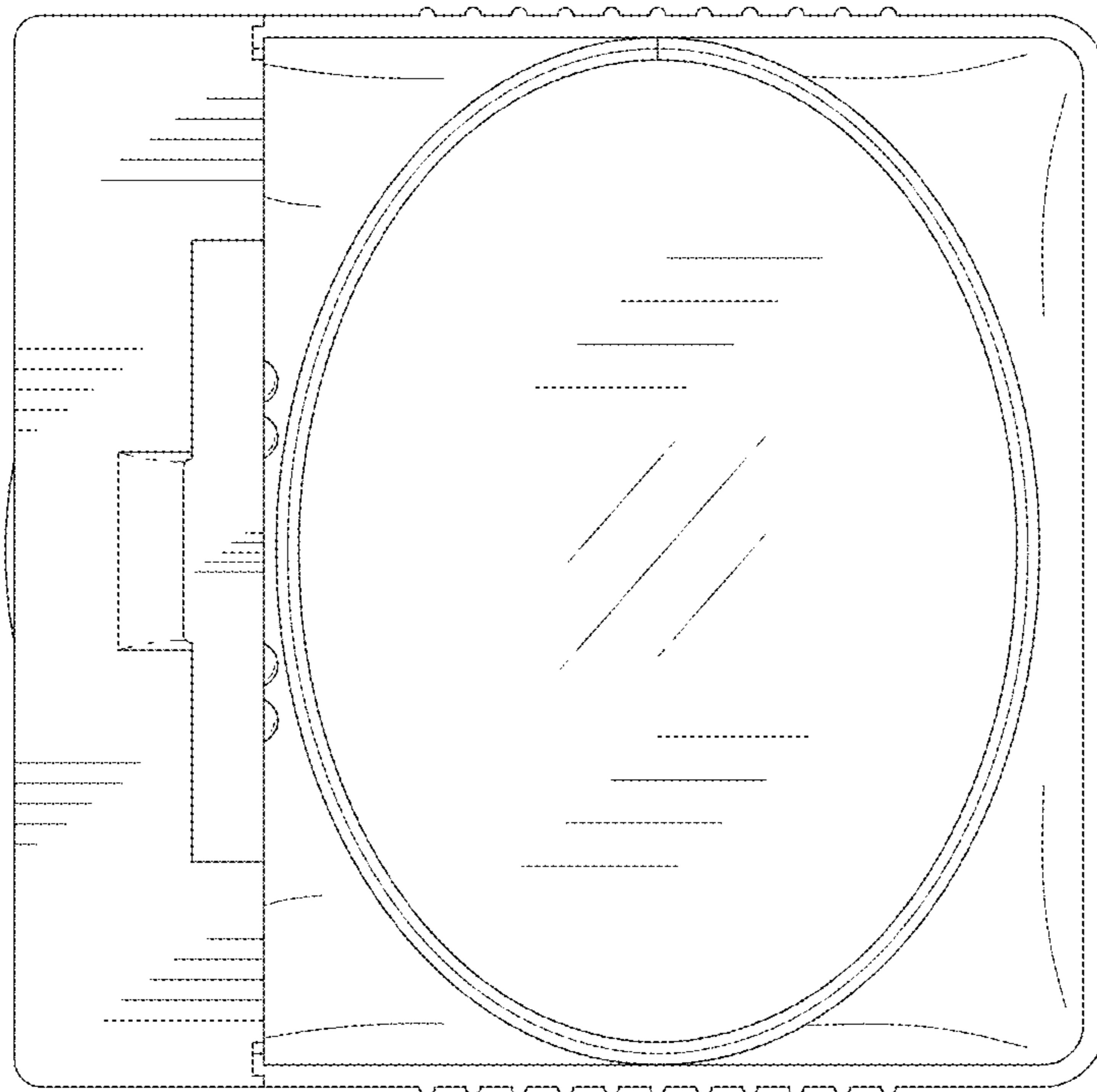
**FIG. 4**



*FIG. 5*



*FIG. 6*



*FIG. 7*



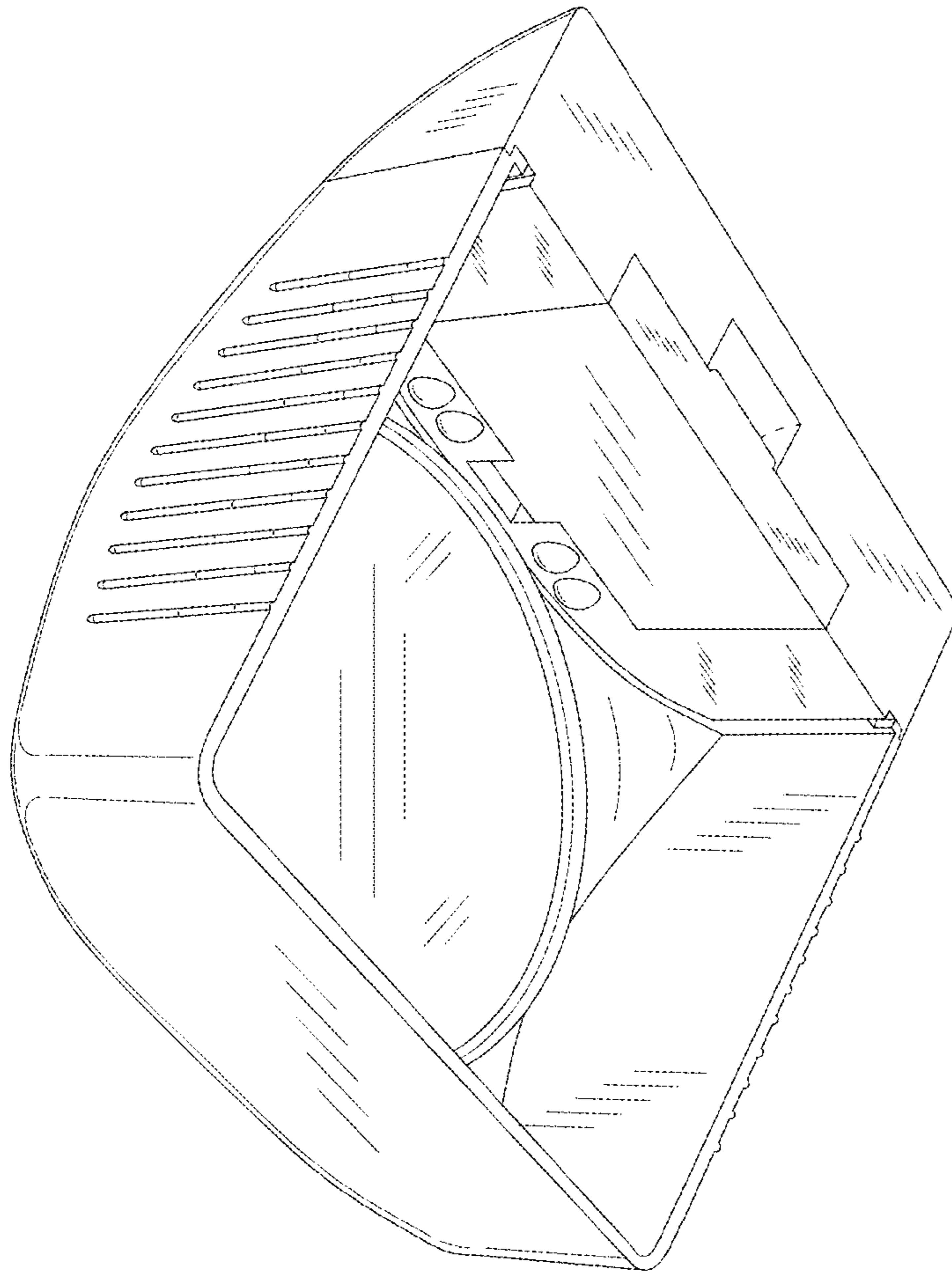


FIG. 8