



US00D812665S

(12) **United States Design Patent**
Klein et al.

(10) **Patent No.:** **US D812,665 S**
(45) **Date of Patent:** **** Mar. 13, 2018**

- (54) **MICROSCOPE HOUSING**
- (71) Applicant: **LIFE TECHNOLOGIES CORPORATION**, Carlsbad, CA (US)
- (72) Inventors: **Sandro Klein**, Irvine, CA (US); **Joshua Mead**, San Diego, CA (US); **Lance Hussey**, Thousand Oaks, CA (US)
- (73) Assignee: **Life Technologies Corporation**, Carlsbad, CA (US)
- (**) Term: **15 Years**
- (21) Appl. No.: **29/597,557**
- (22) Filed: **Mar. 17, 2017**

Related U.S. Application Data

- (62) Division of application No. 29/558,208, filed on Mar. 16, 2016, now Pat. No. Des. 785,690.
- (51) **LOC (11) Cl.** **16-06**
- (52) **U.S. Cl.**
USPC **D16/131**
- (58) **Field of Classification Search**
USPC D16/130, 131, 134, 136, 137, 219, 235,
D16/237; D26/120, 124
CPC G02B 21/004; G02B 21/008; G02B
21/0088; G02B 21/20; G02B 21/22;
G02B 21/24
See application file for complete search history.

(56) **References Cited**

U.S. PATENT DOCUMENTS

D252,276 S	7/1979	Griffith
D260,402 S	8/1981	Hodgson
D261,397 S	10/1981	Speaker
4,337,991 A	7/1982	Benajam
D290,129 S	6/1987	Kahute
D354,761 S	1/1995	Komatsuzaki et al.

D429,265 S	8/2000	Holbl et al.	
D664,174 S	7/2012	Tanaka	
D771,169 S	11/2016	Weber	
D784,433 S *	4/2017	Weber	D16/131
D785,690 S *	5/2017	Klein	D16/131
2015/0253561 A1	9/2015	Lee et al.	

* cited by examiner

Primary Examiner — Sheryl Lane
Assistant Examiner — Calvin E Vansant

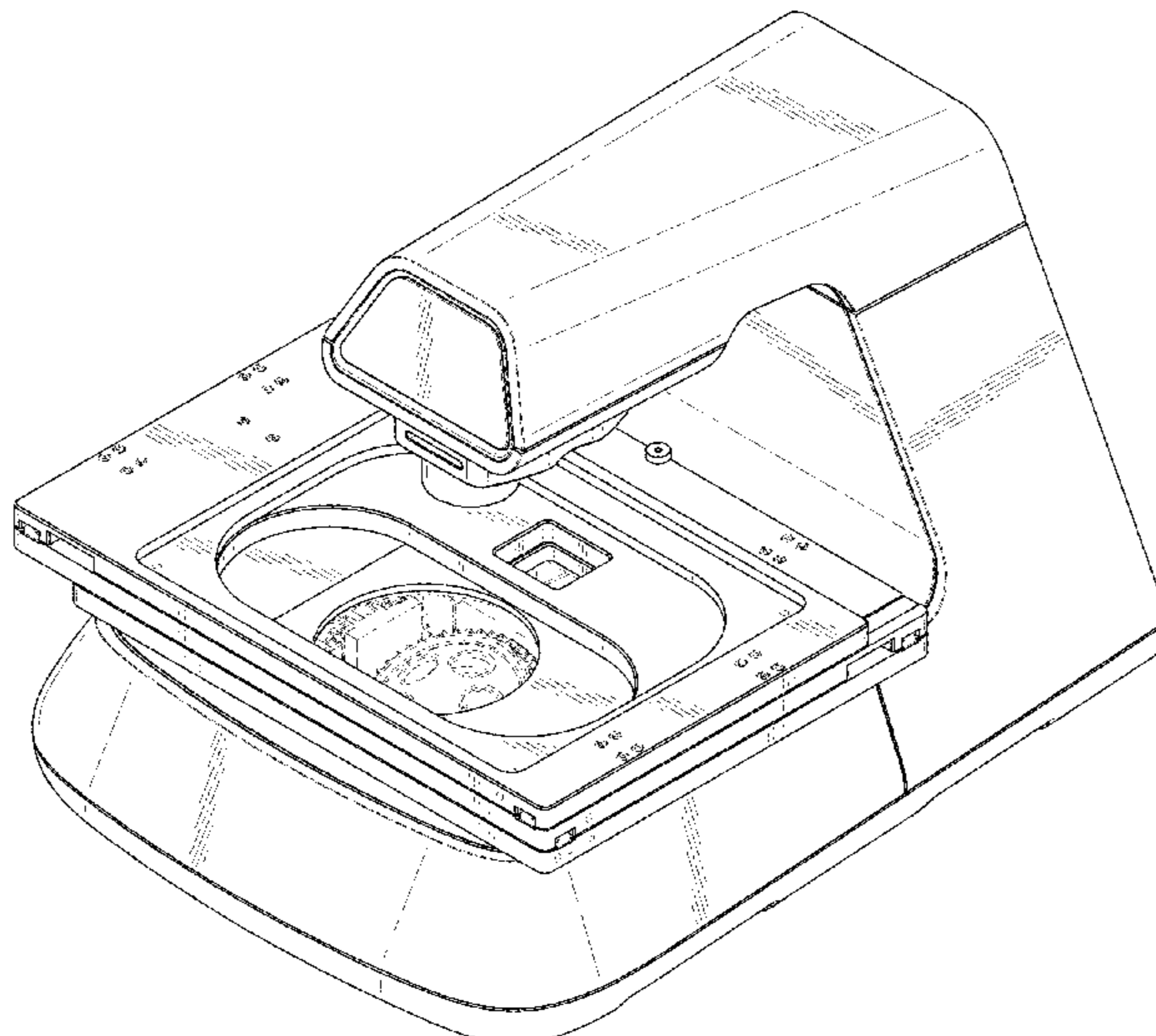
(57) **CLAIM**

The ornamental design for a microscope housing, as shown and described.

DESCRIPTION

FIG. 1 is a perspective view of a microscope housing of our new design.
 FIG. 2 is a front view of a microscope housing of our new design.
 FIG. 3 is a rear view of a microscope housing of our new design.
 FIG. 4 is a right side view of a microscope housing of our new design.
 FIG. 5 is a left side view of a microscope housing of our new design.
 FIG. 6 is a top view of a microscope housing of our new design.
 FIG. 7 is a bottom view of a microscope housing of our new design.
 FIG. 8 is a perspective view of a microscope housing of our new design showing a left-shifted stage.
 FIG. 9 is a perspective view of a microscope housing of our new design showing a forward-shifted stage; and,
 FIG. 10 is a perspective view of a microscope housing of our new design showing a left and forward shifted stage.
 The broken lines represent portions of the microscope housing and form no part of the claimed design.

1 Claim, 10 Drawing Sheets



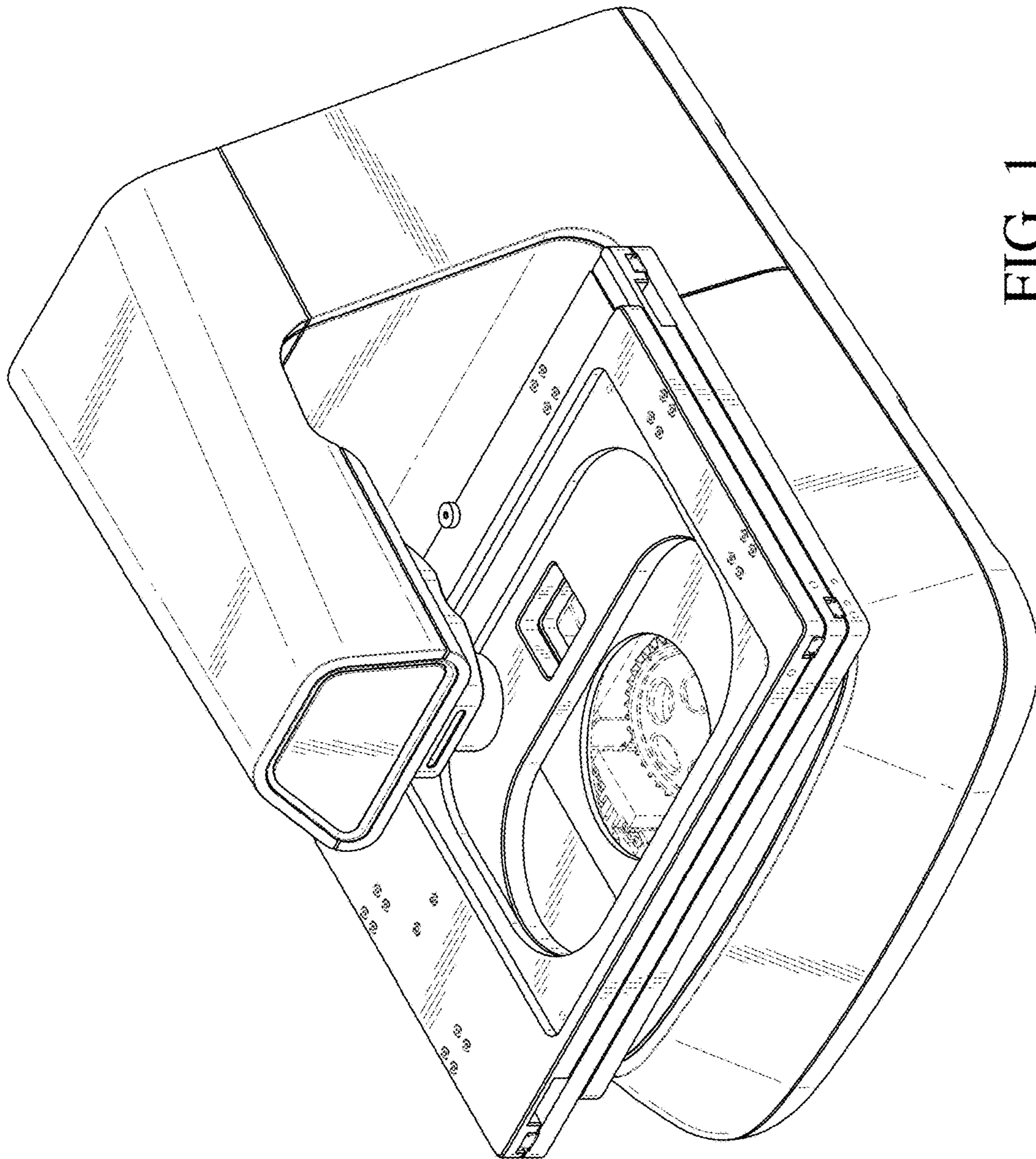


FIG. 1

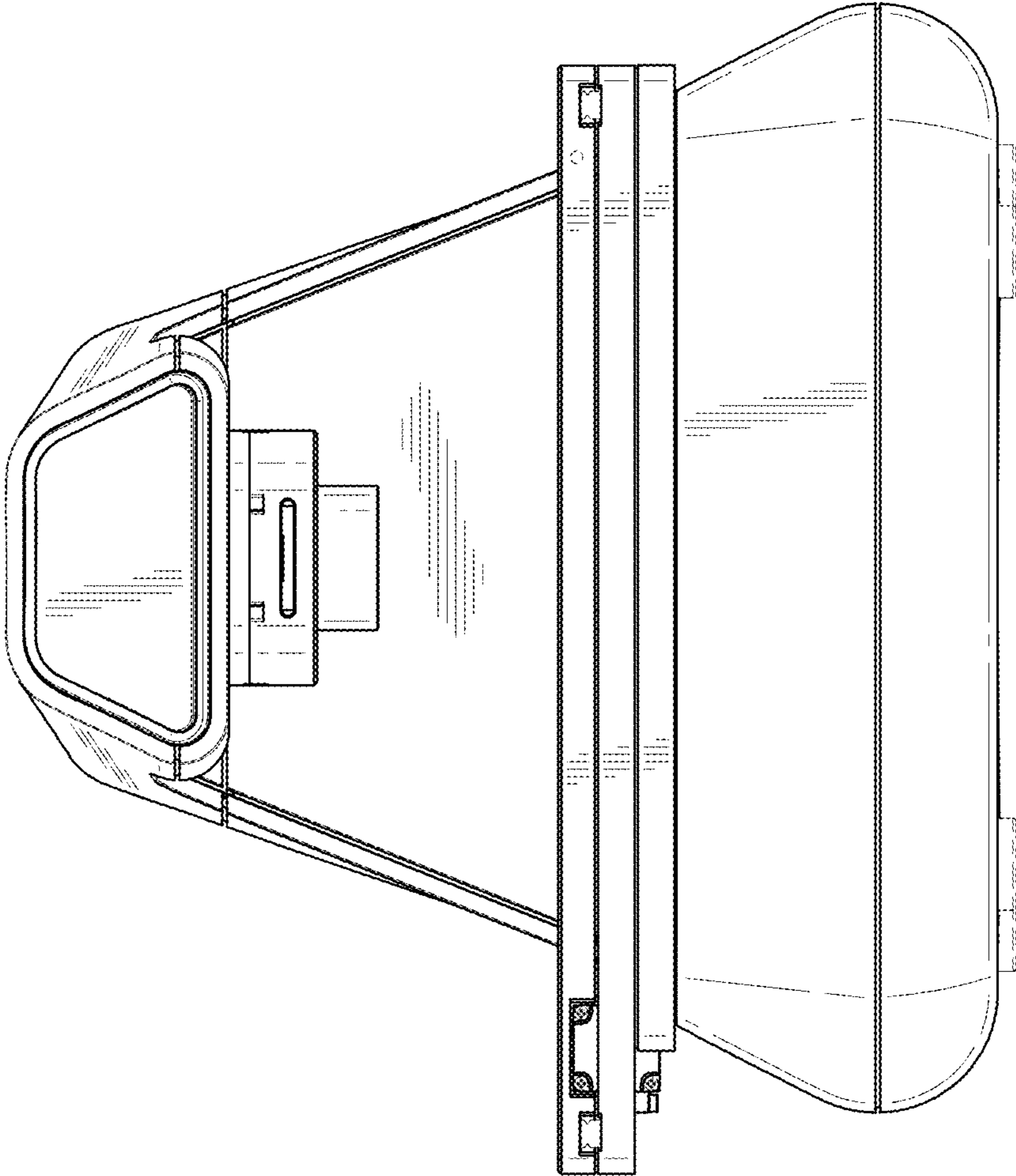


FIG. 2

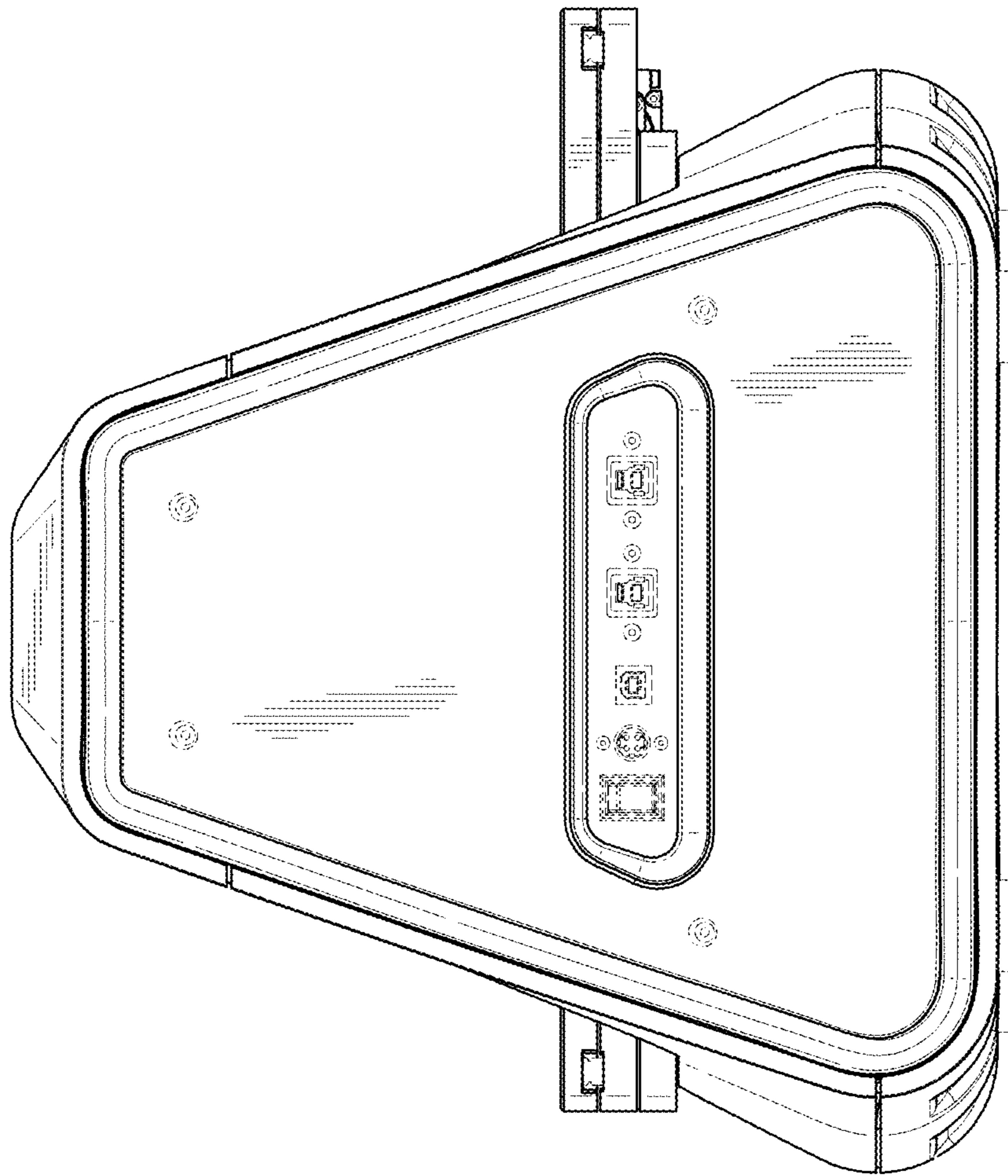


FIG. 3

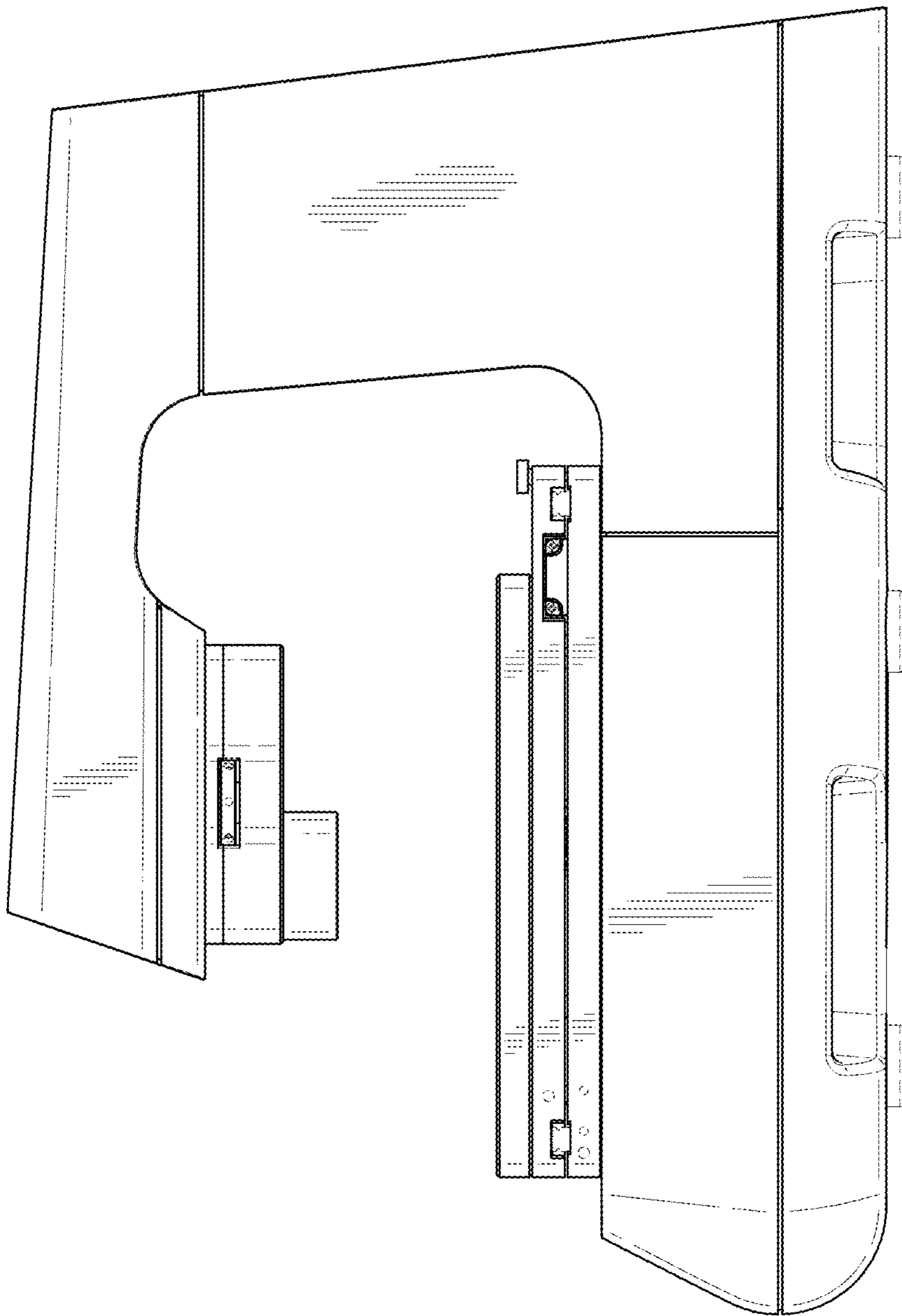


FIG. 4

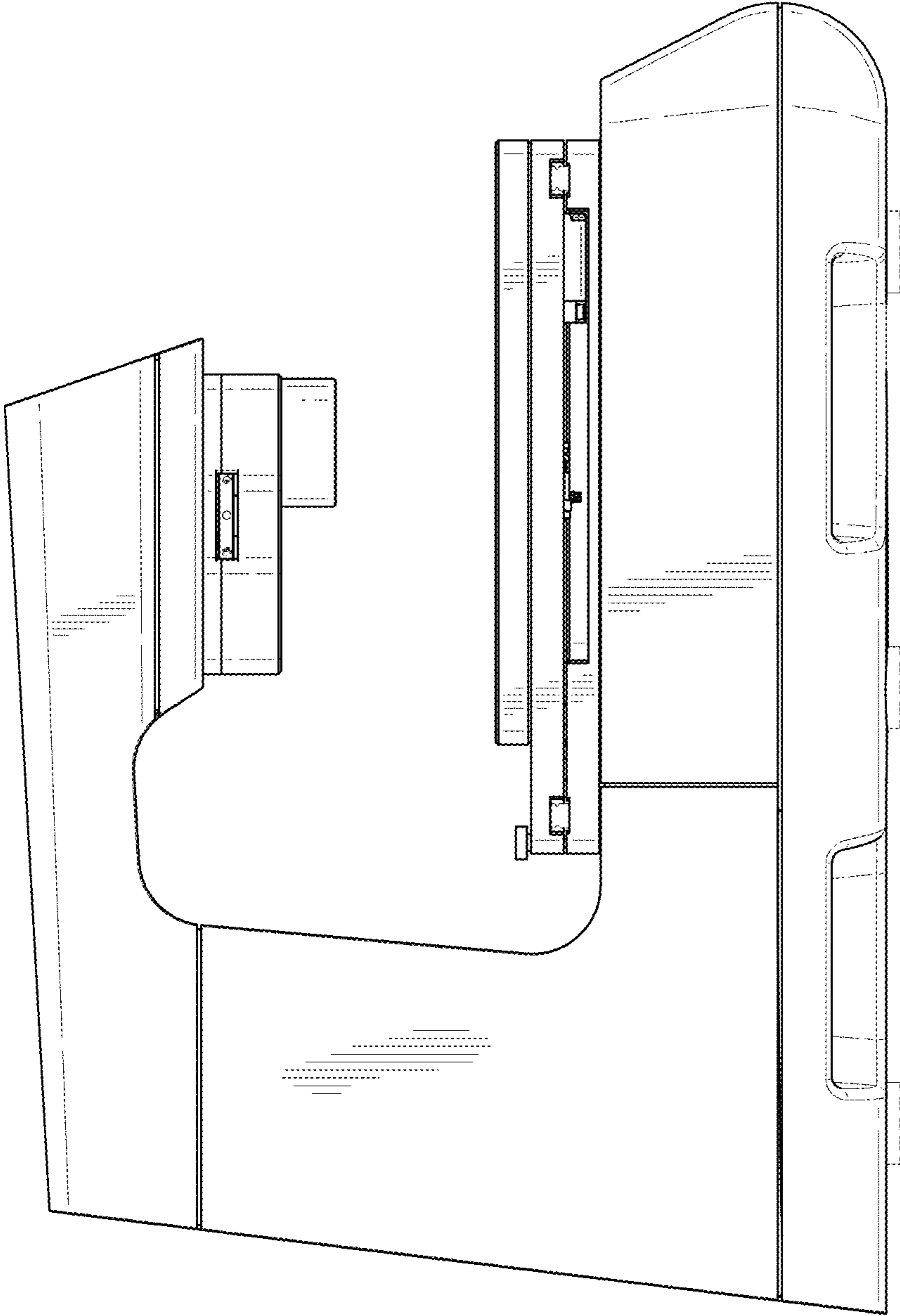


FIG. 5

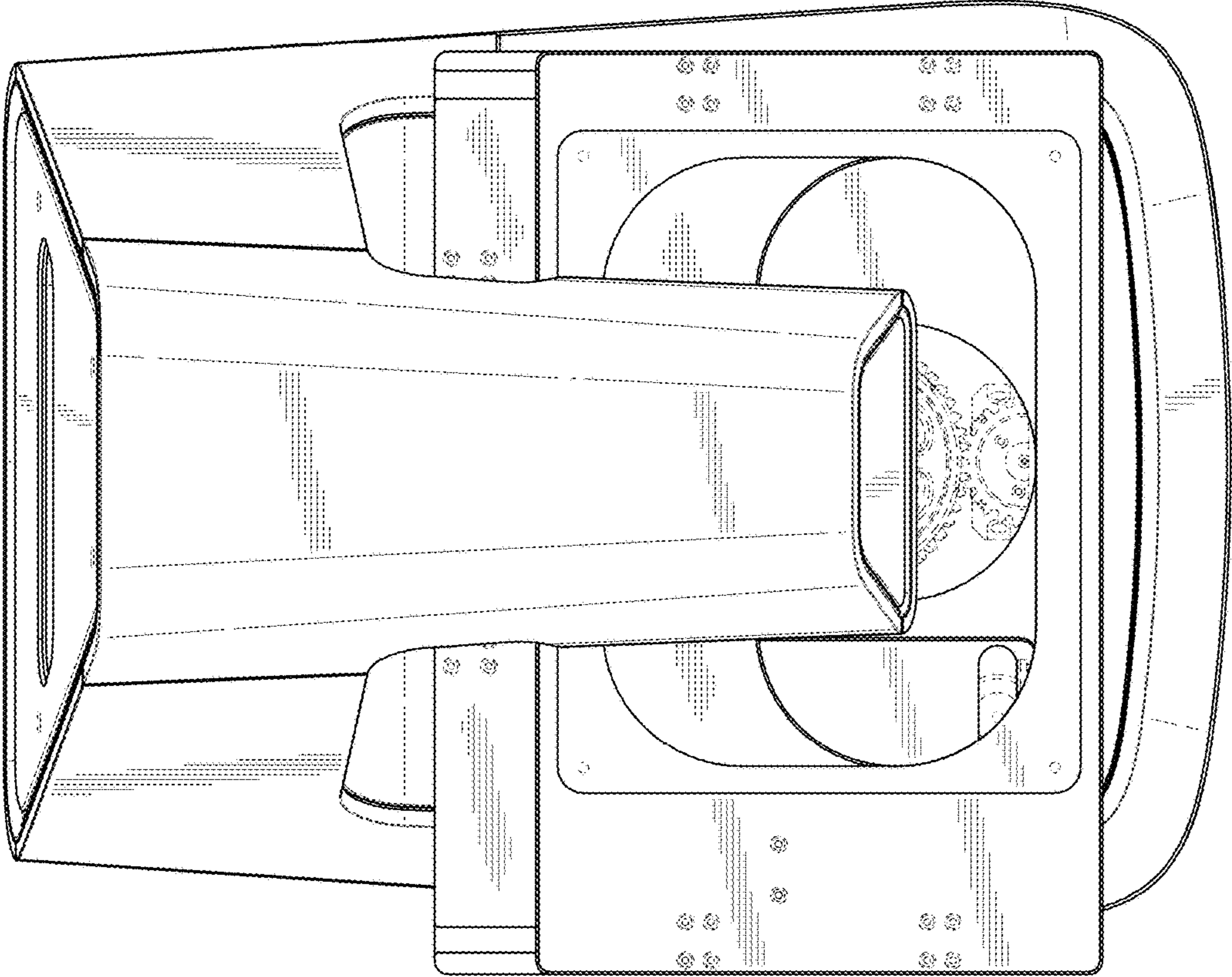


FIG. 6

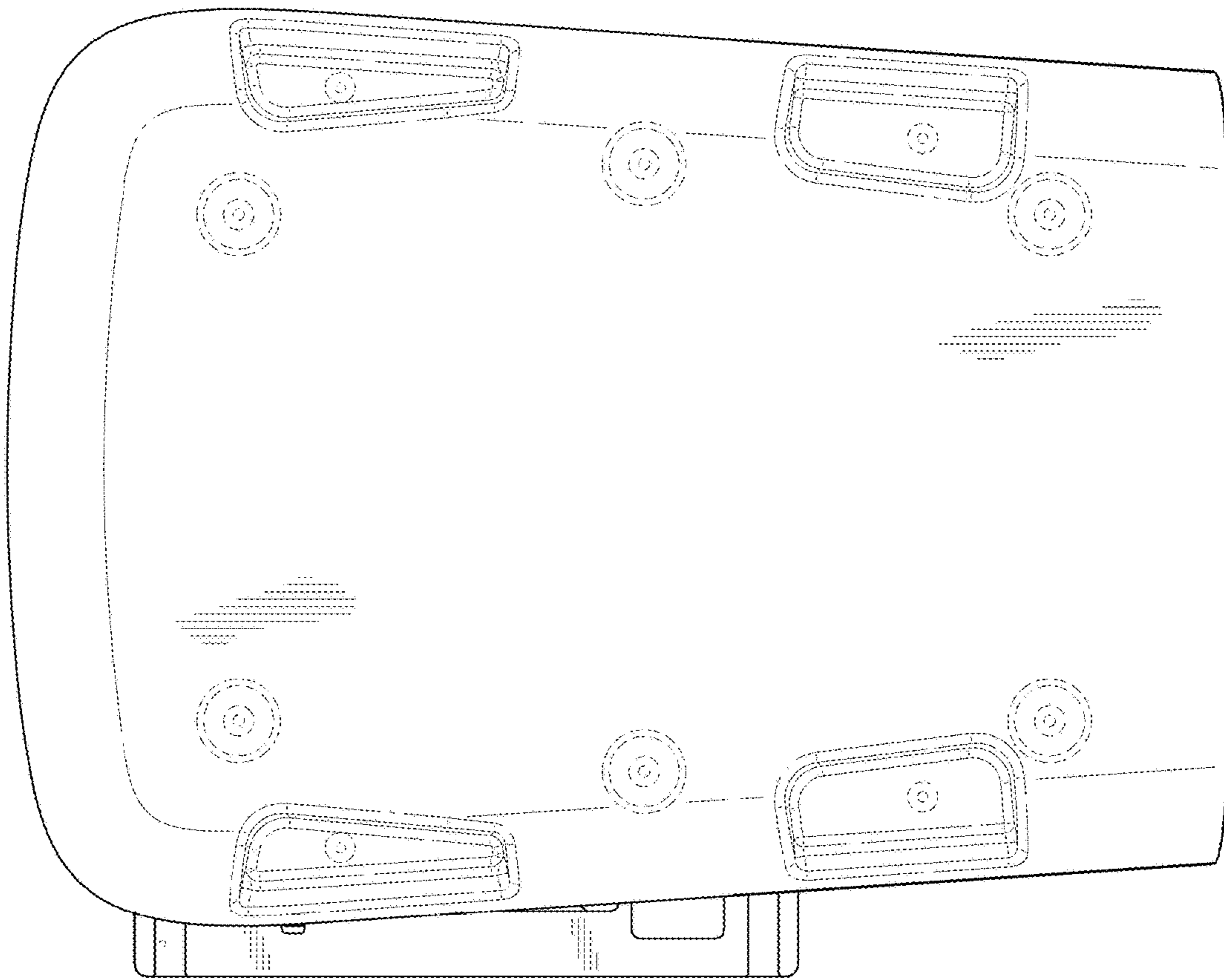


FIG. 7

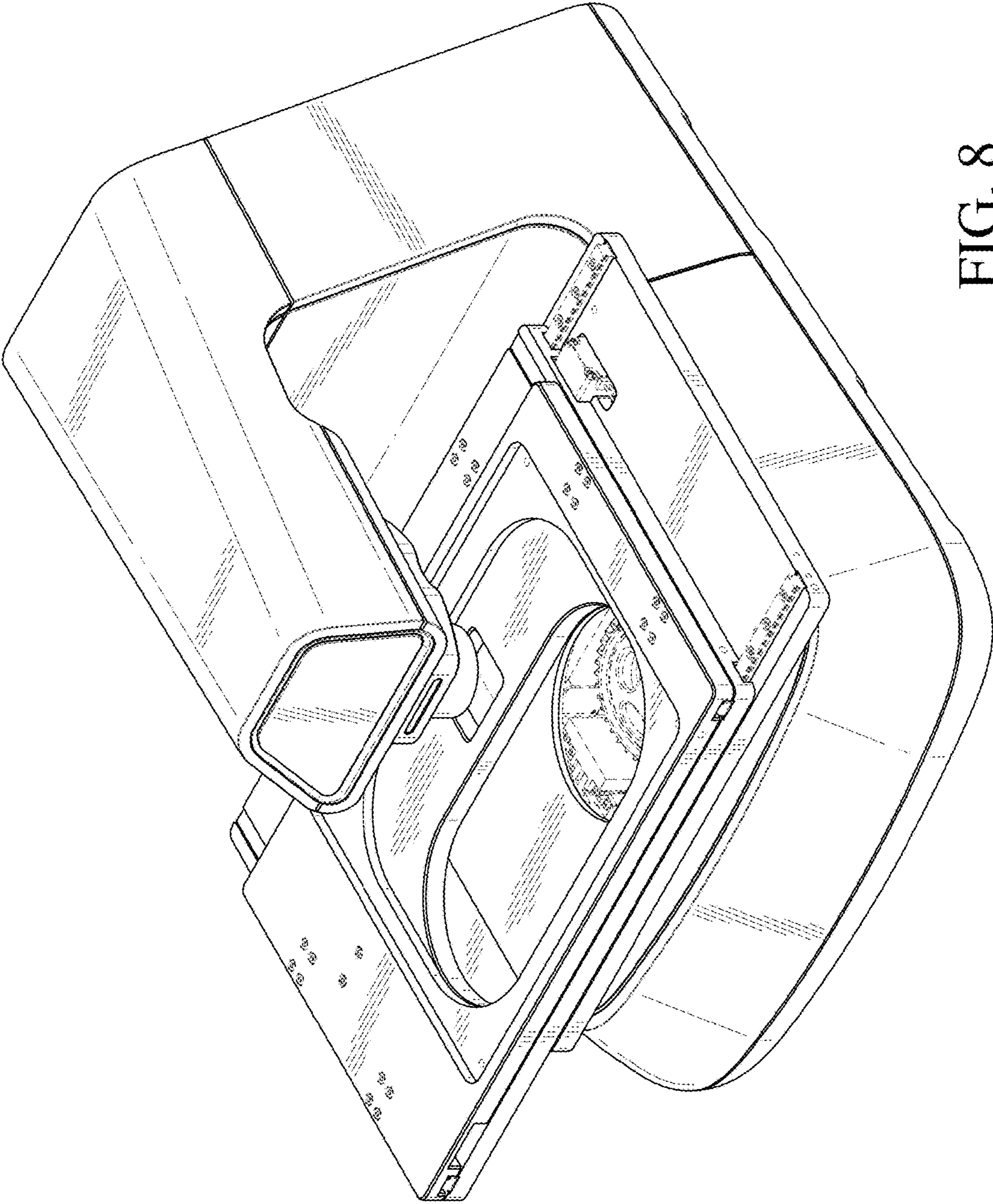


FIG. 8

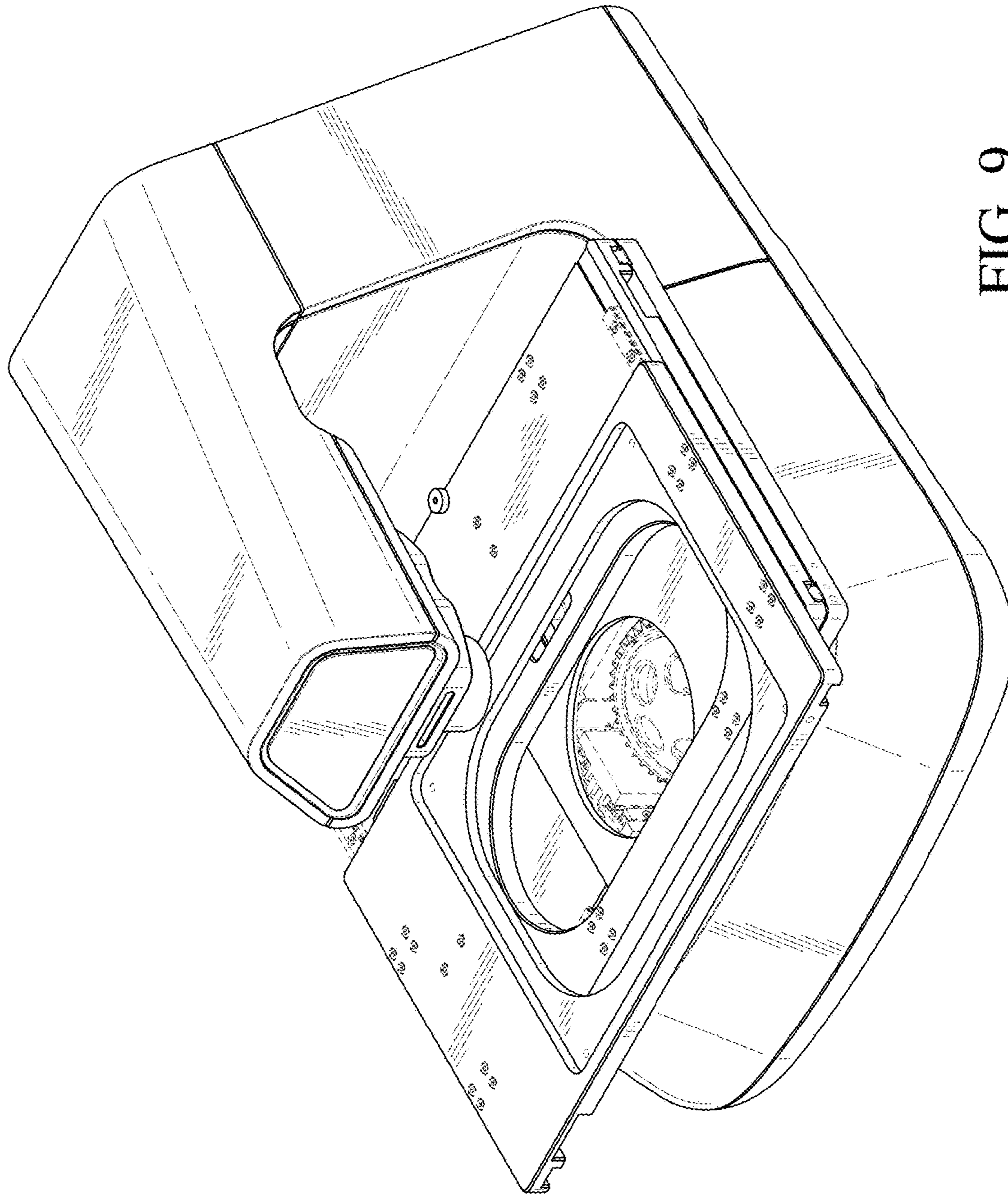


FIG. 9

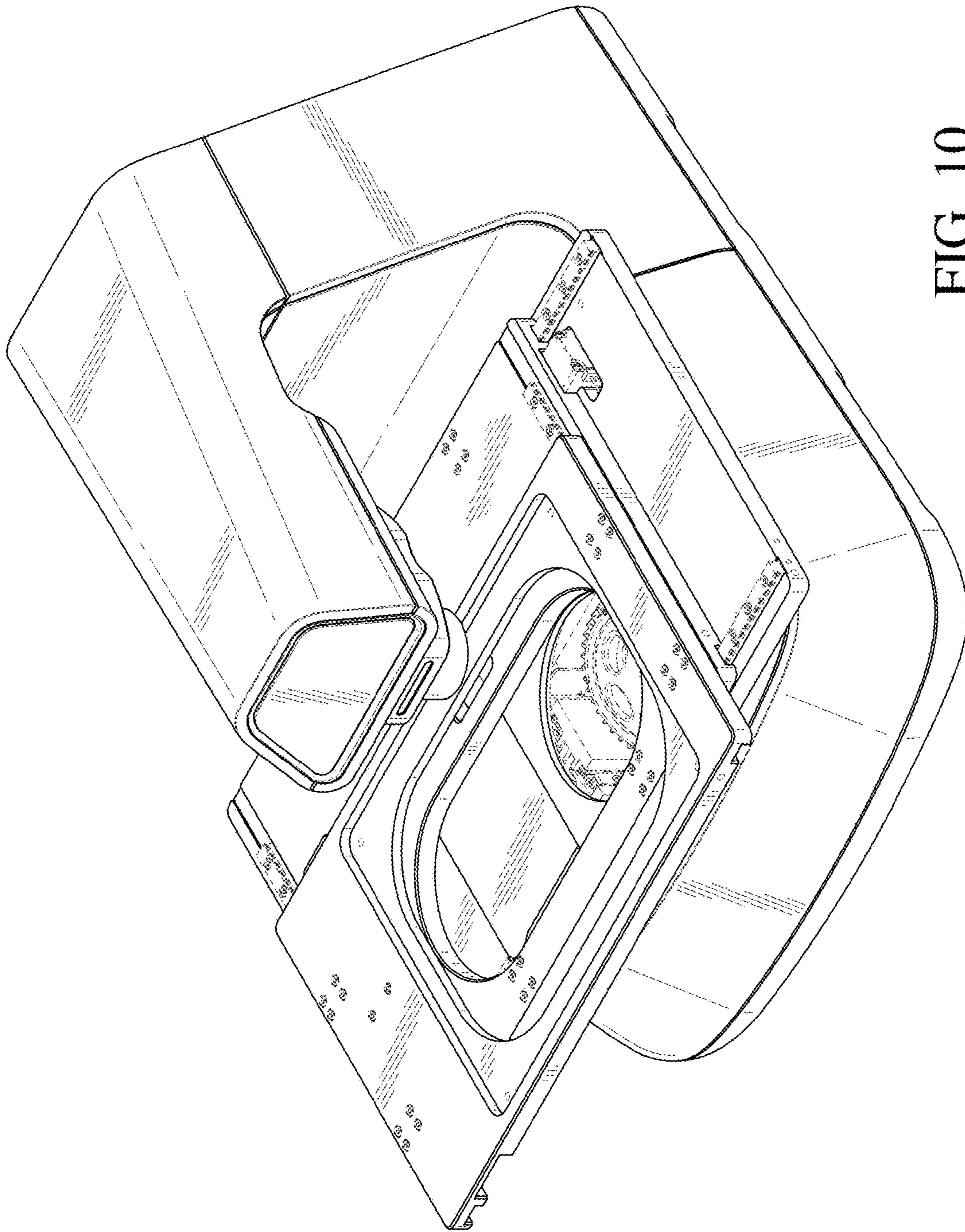


FIG. 10