



US00D812663S

(12) **United States Design Patent**  
**Waters et al.**

(10) **Patent No.:** **US D812,663 S**  
(45) **Date of Patent:** **\*\* Mar. 13, 2018**

(54) **AUTONOMOUS MOBILE ROBOT**

(71) Applicant: **CLEARPATH ROBOTICS, INC.**,  
Kitchener (CA)

(72) Inventors: **Scott Waters**, Hollis, NH (US);  
**Michael Hanuschik**, Mountain View,  
CA (US)

(73) Assignee: **CLEARPATH ROBOTICS, INC.**,  
Kitchener (CA)

(\*\*) Term: **15 Years**

(21) Appl. No.: **29/558,800**

(22) Filed: **Mar. 22, 2016**

(51) **LOC (11) Cl.** ..... **15-99**

(52) **U.S. Cl.**  
USPC ..... **D15/199**

(58) **Field of Classification Search**  
USPC ..... D12/91; D15/199; D21/578; D24/18,  
D24/28, 34; D34/16  
CPC ..... G05D 1/0022; G05D 2201/0209; G08C  
17/00; G08C 2201/40  
See application file for complete search history.

(56) **References Cited**

**U.S. PATENT DOCUMENTS**

- 4,137,984 A \* 2/1979 Jennings ..... B62D 1/28  
180/168
- 4,962,453 A \* 10/1990 Pong, Jr. .... A47L 11/4011  
180/167
- 5,658,120 A \* 8/1997 Watanabe ..... B23Q 7/1436  
280/781
- D647,132 S \* 10/2011 Kim ..... D18/55
- D677,723 S \* 3/2013 Buel ..... D18/59

(Continued)

**OTHER PUBLICATIONS**

Amazon Robotics, "Our Vision", <https://www.amazonrobotics.com/#vision>, 2016.

Fetch Robotics, "Fetch", <http://fetchrobotics.com/freight/>, 2016.  
Omron Adept Technologies, Inc., "Adept Mobile Products", <http://www.adept.com/products/mobile-robots/mobile-platforms/lynx/general>, 2016.

*Primary Examiner* — Patricia A Palasik  
(74) *Attorney, Agent, or Firm* — Perry + Currier Inc.

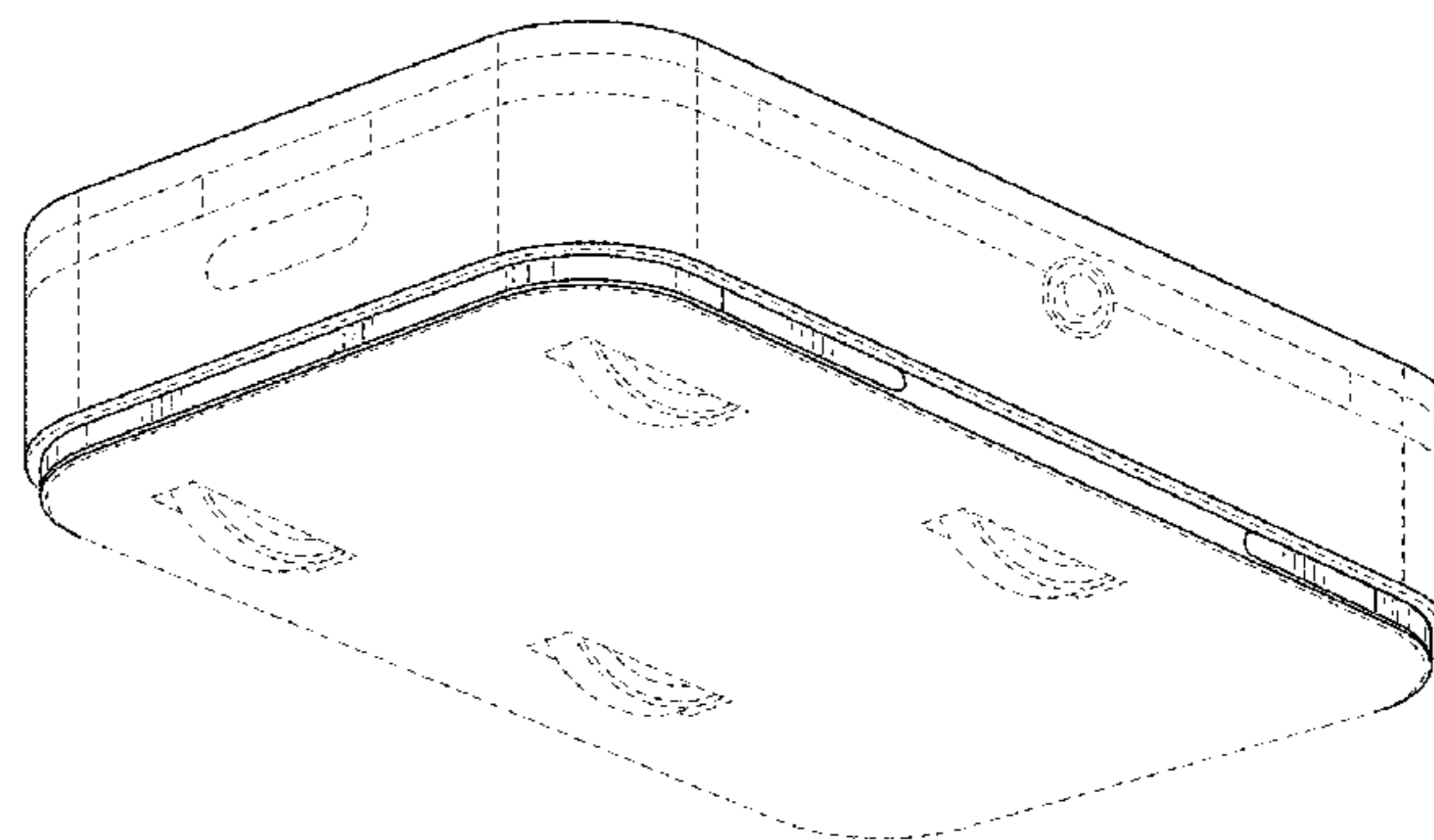
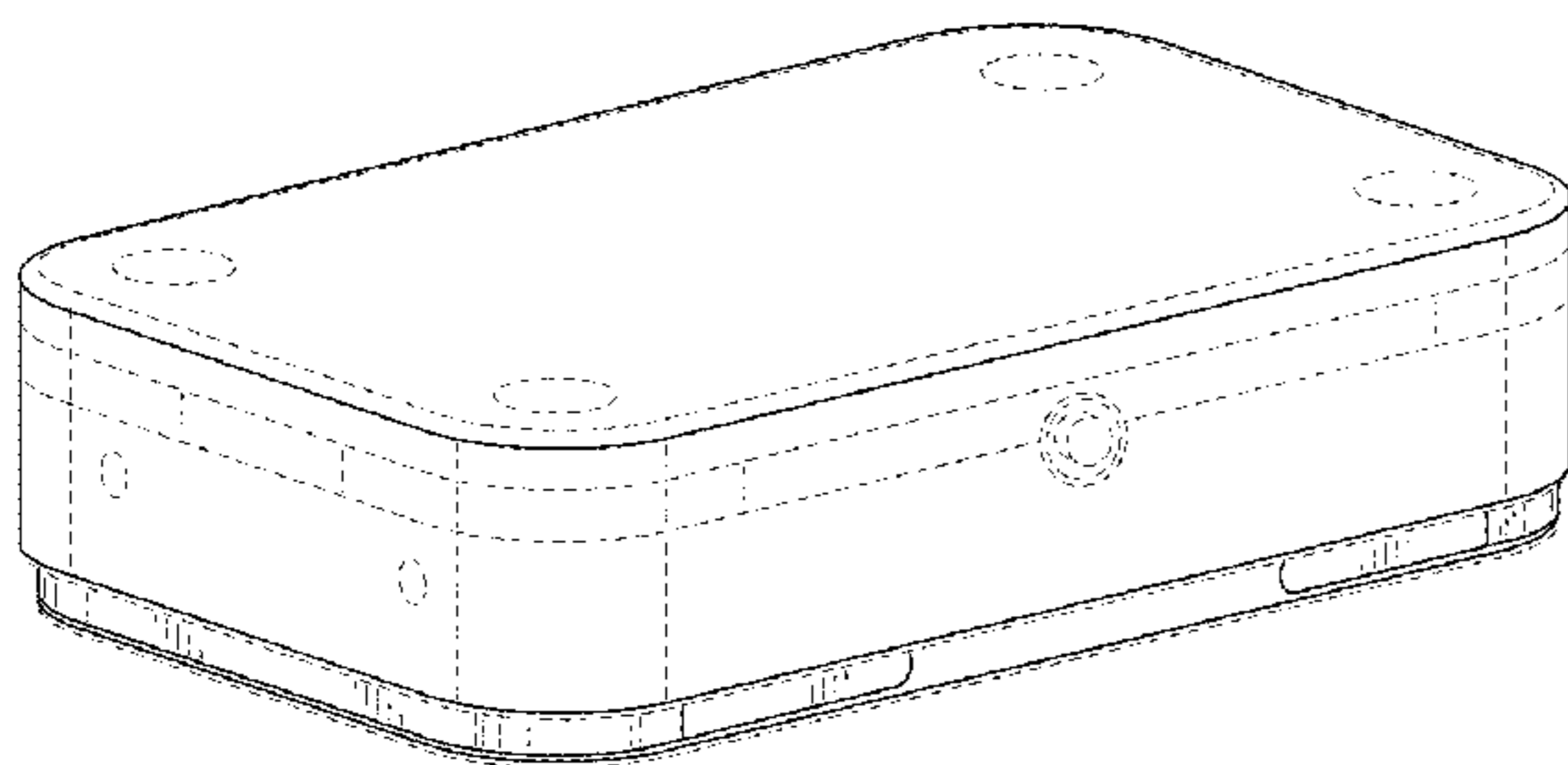
(57) **CLAIM**

The ornamental design for an autonomous mobile robot, as shown and described.

**DESCRIPTION**

FIG. 1 is a front and top perspective view of an autonomous mobile robot showing the design;  
 FIG. 2 is a rear and bottom perspective view of the design of FIG. 1;  
 FIG. 3 is a left side elevational view of the design of FIG. 1;  
 FIG. 4 is a front elevational view of the design of FIG. 1;  
 FIG. 5 is a right side elevational view of the design of FIG. 1;  
 FIG. 6 is a rear elevational view of the design of FIG. 1;  
 FIG. 7 is a top plan view of the design of FIG. 1;  
 FIG. 8 is a bottom plan view of the design of FIG. 1;  
 FIG. 9 is a front and top perspective view of an autonomous mobile robot showing an alternative embodiment of the design;  
 FIG. 10 is a rear and bottom perspective view of the design of FIG. 9;  
 FIG. 11 is a left side elevational view of the design of FIG. 9;  
 FIG. 12 is a front elevational view of the design of FIG. 9;  
 FIG. 13 is a right side elevational view of the design of FIG. 9;  
 FIG. 14 is a rear elevational view of the design of FIG. 9;  
 FIG. 15 is a top plan view of the design of FIG. 9; and,  
 FIG. 16 is a bottom plan view of the design of FIG. 9.  
 The broken lines in the drawings depict unclaimed environmental subject matter.

**1 Claim, 8 Drawing Sheets**



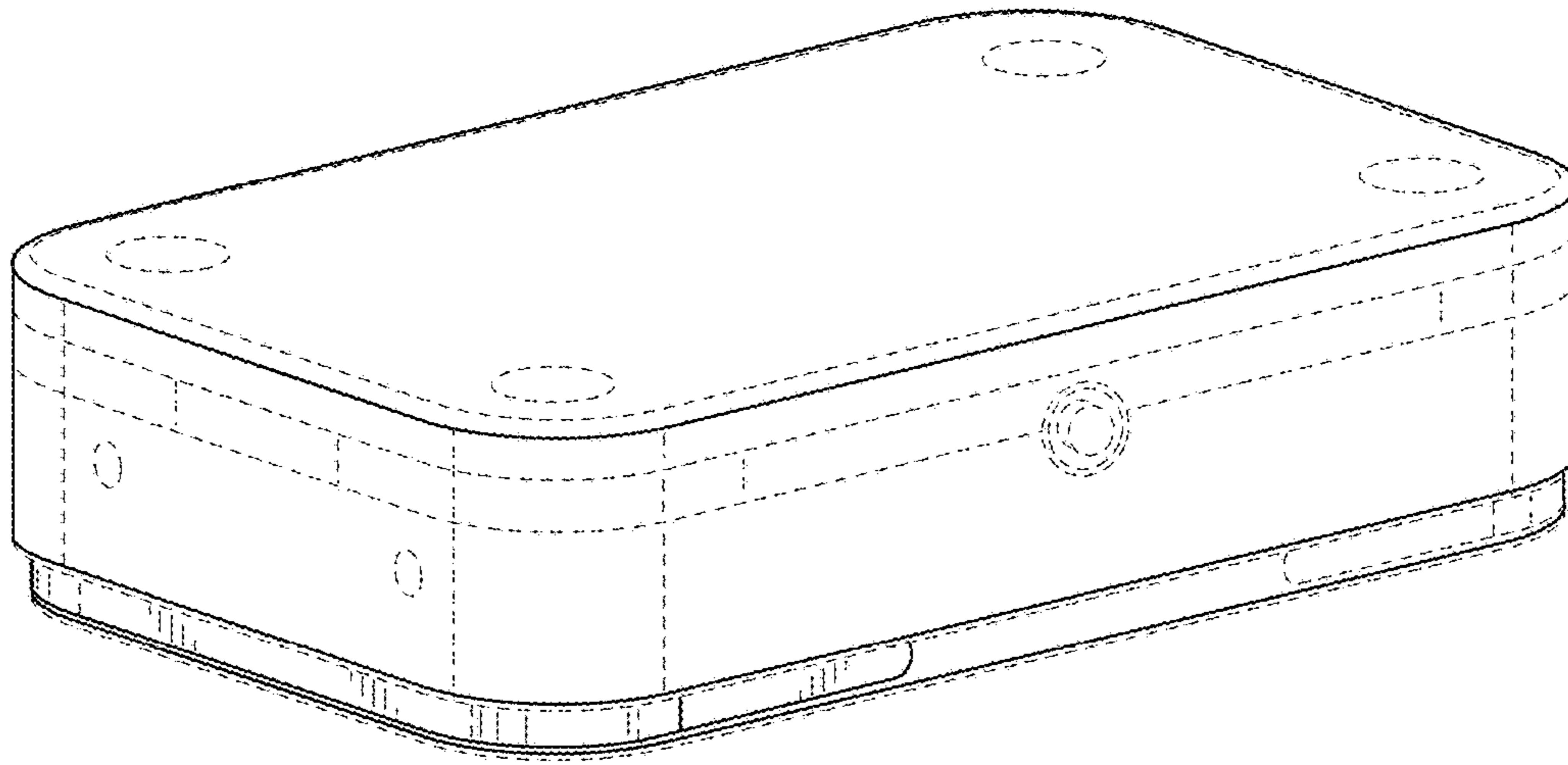
(56)

References Cited

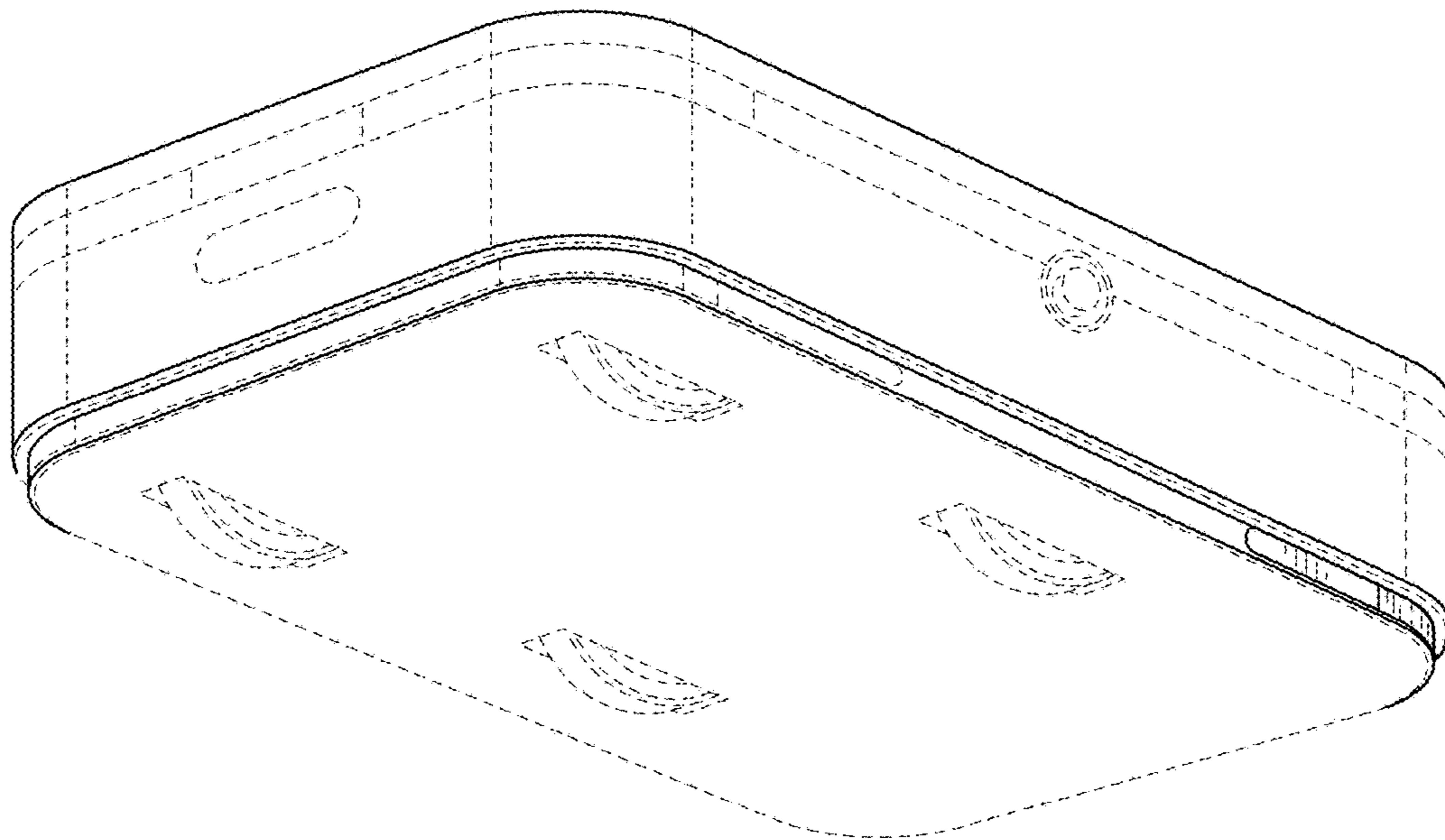
U.S. PATENT DOCUMENTS

8,898,844 B1 *	12/2014	Dooley	.....	A47L 11/10 15/319
D724,141 S *	3/2015	Kim	.....	D18/55
D725,184 S *	3/2015	Kim	.....	D18/55
D732,586 S *	6/2015	Chen	.....	D15/122
D732,587 S *	6/2015	Hsu	.....	D15/122
D734,814 S *	7/2015	Yeh	.....	D18/50
D740,359 S *	10/2015	So	.....	D18/55
D743,647 S *	11/2015	Heck	.....	D32/21
D746,881 S *	1/2016	Anantha	.....	D15/122
D748,878 S *	2/2016	Dooley	.....	D32/21
D749,153 S *	2/2016	Anantha	.....	D15/122
D749,171 S *	2/2016	Nakagawa	.....	D18/55
D752,661 S *	3/2016	Anantha	.....	D15/122
D763,330 S *	8/2016	Olive	.....	D15/122
D766,998 S *	9/2016	Kao	.....	D15/122
D770,545 S *	11/2016	Olive	.....	D15/122
D771,164 S *	11/2016	Noorazar	.....	D15/122
D776,174 S *	1/2017	Summit	.....	D15/122
D781,955 S *	3/2017	Kim	.....	D18/50
D783,693 S *	4/2017	Reches	.....	D15/122
D787,574 S *	5/2017	Lee	.....	D15/122
D788,843 S *	6/2017	Lee	.....	D18/55
D792,923 S *	7/2017	Kim	.....	D18/55
2005/0144904 A1 *	7/2005	Veltkamp	.....	E04B 1/803 52/782.1
2013/0155450 A1 *	6/2013	Higashikawa	.....	B41J 2/1752 358/1.15
2014/0049003 A1 *	2/2014	Lu	.....	B65H 29/20 271/298
2014/0204141 A1 *	7/2014	Arakane	.....	B41J 2/04508 347/14
2014/0291917 A1 *	10/2014	Uchino	.....	B65H 1/02 271/147
2014/0350725 A1 *	11/2014	LaFary	.....	G06N 3/008 700/253
2016/0236409 A1 *	8/2016	Armani	.....	B29C 47/12
2016/0339634 A1 *	11/2016	Fuller	.....	B29C 67/0055
2017/0129167 A1 *	5/2017	Castanon	.....	B33Y 40/00

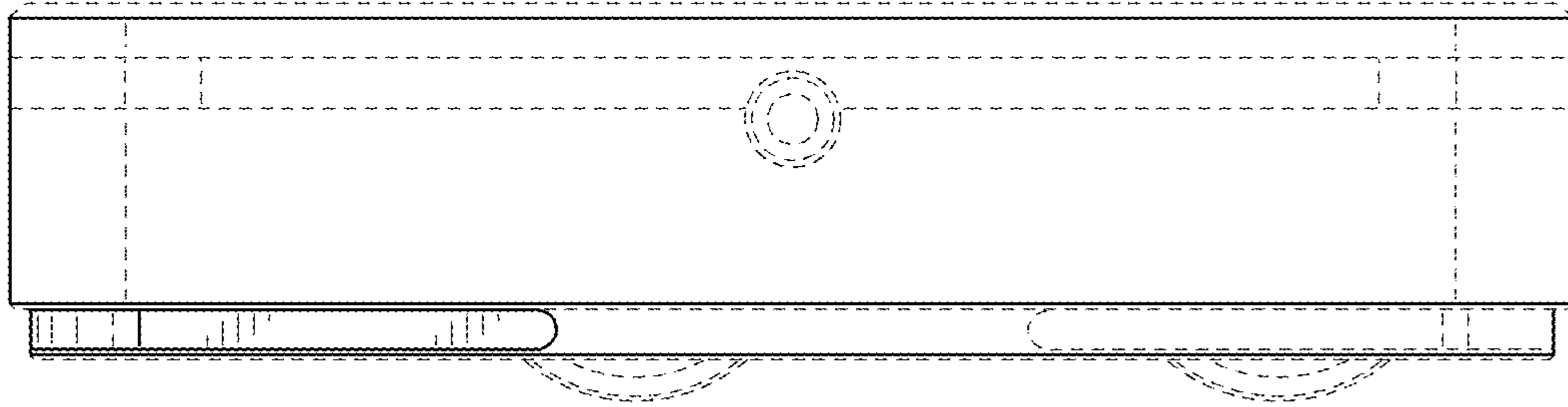
\* cited by examiner



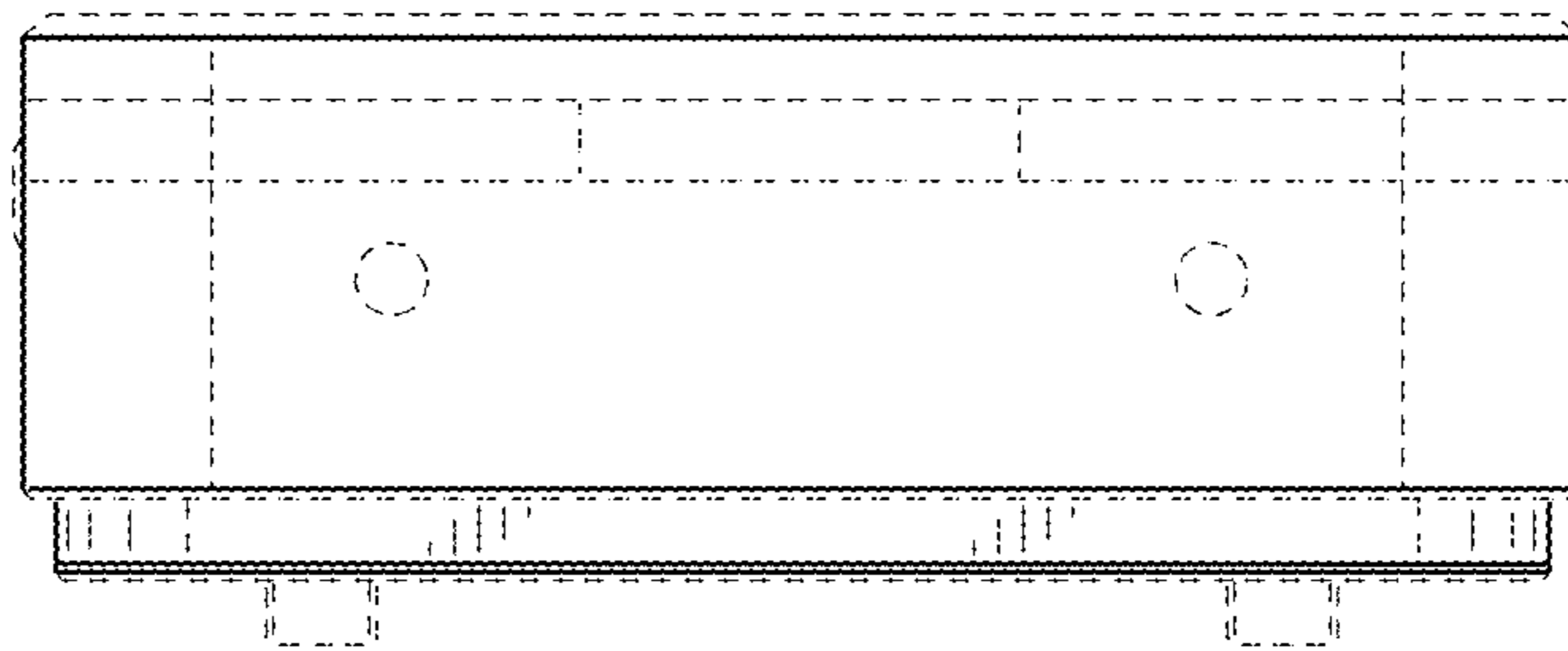
**FIG. 1**



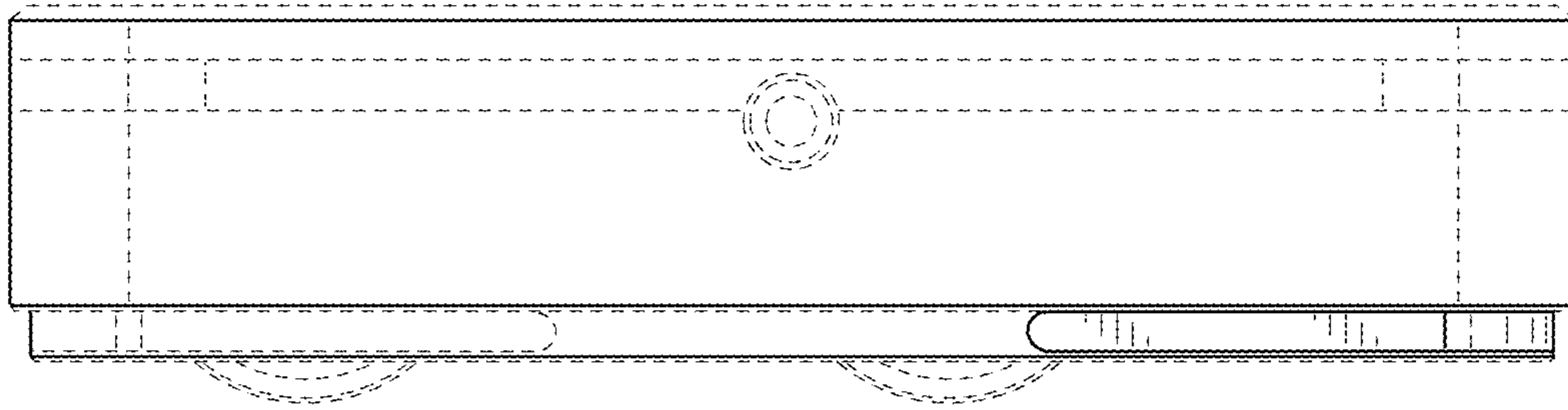
**FIG. 2**



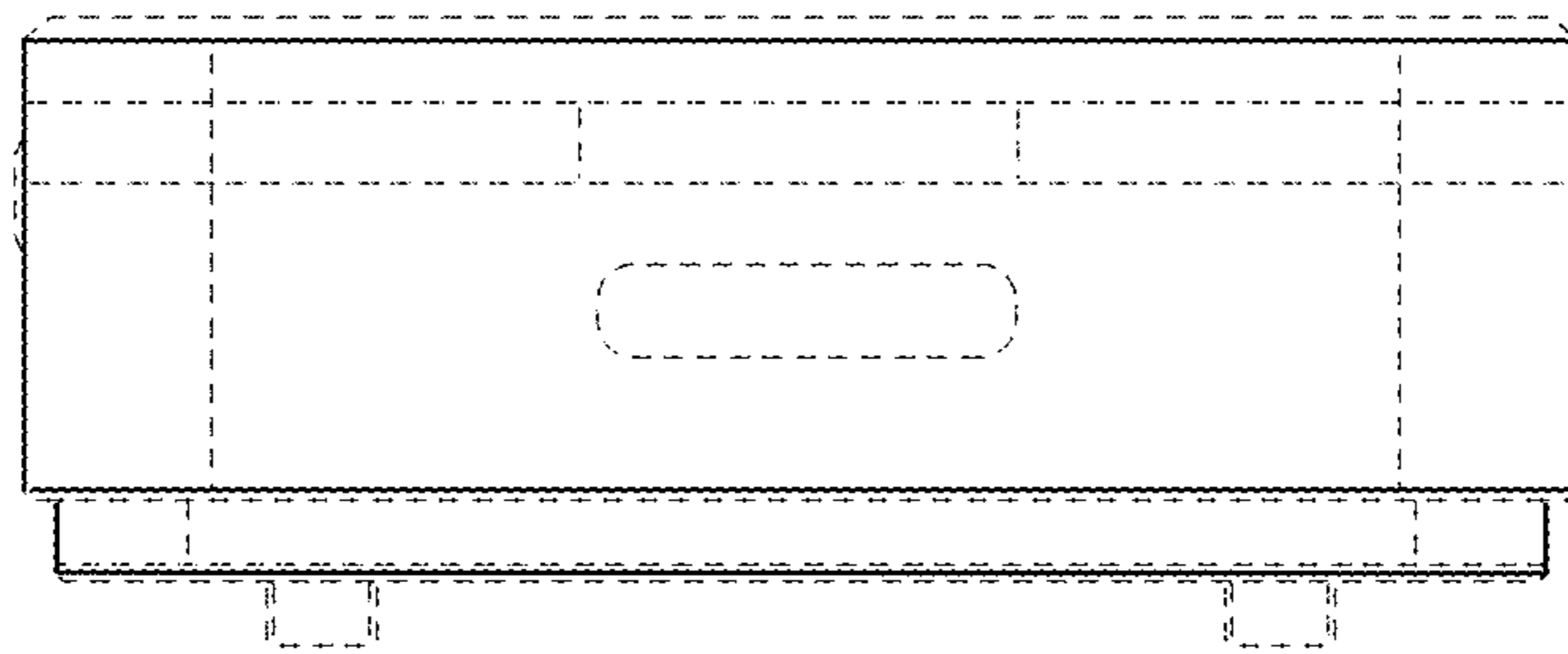
**FIG. 3**



**FIG. 4**



**FIG. 5**

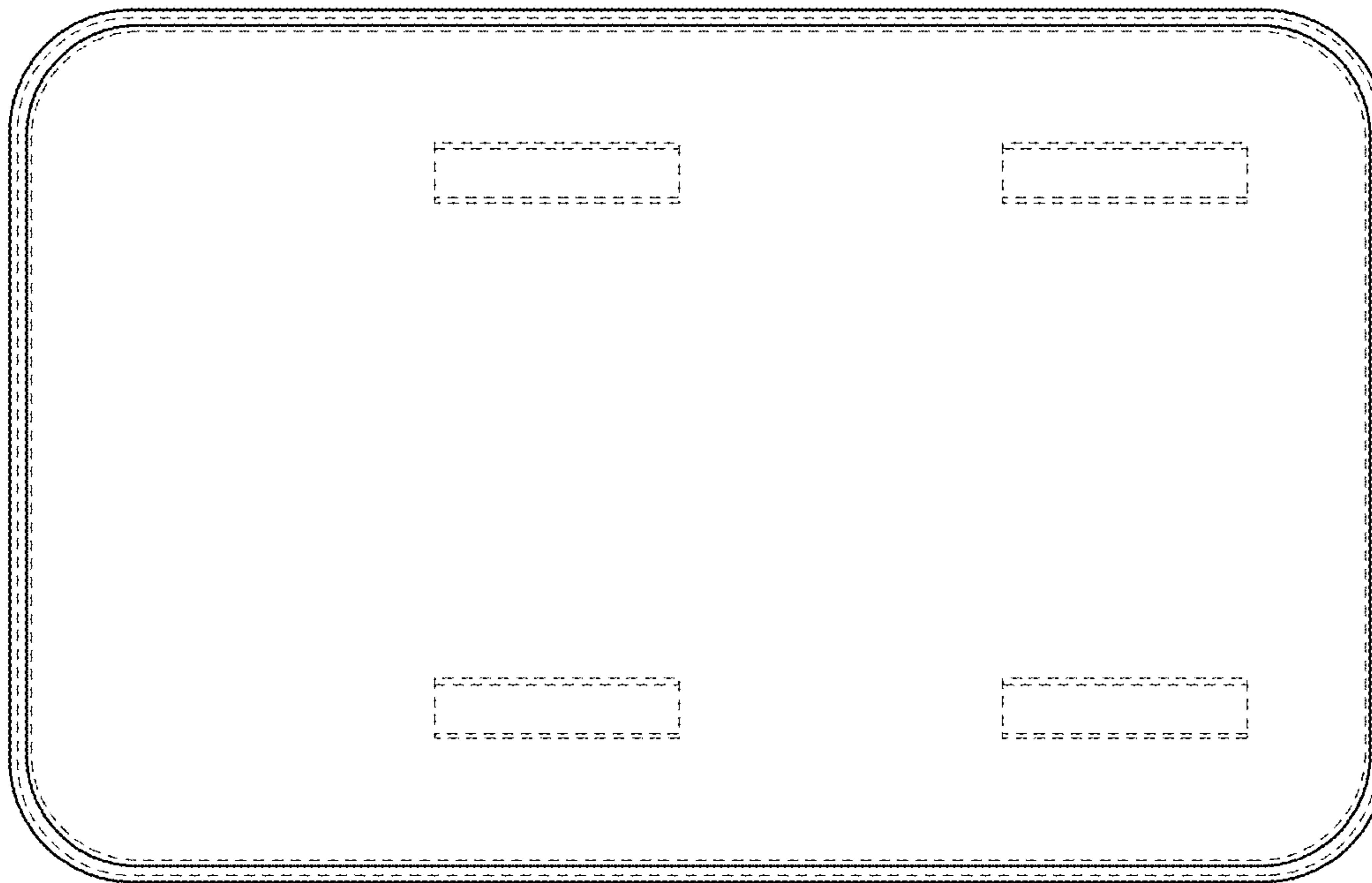


**FIG. 6**

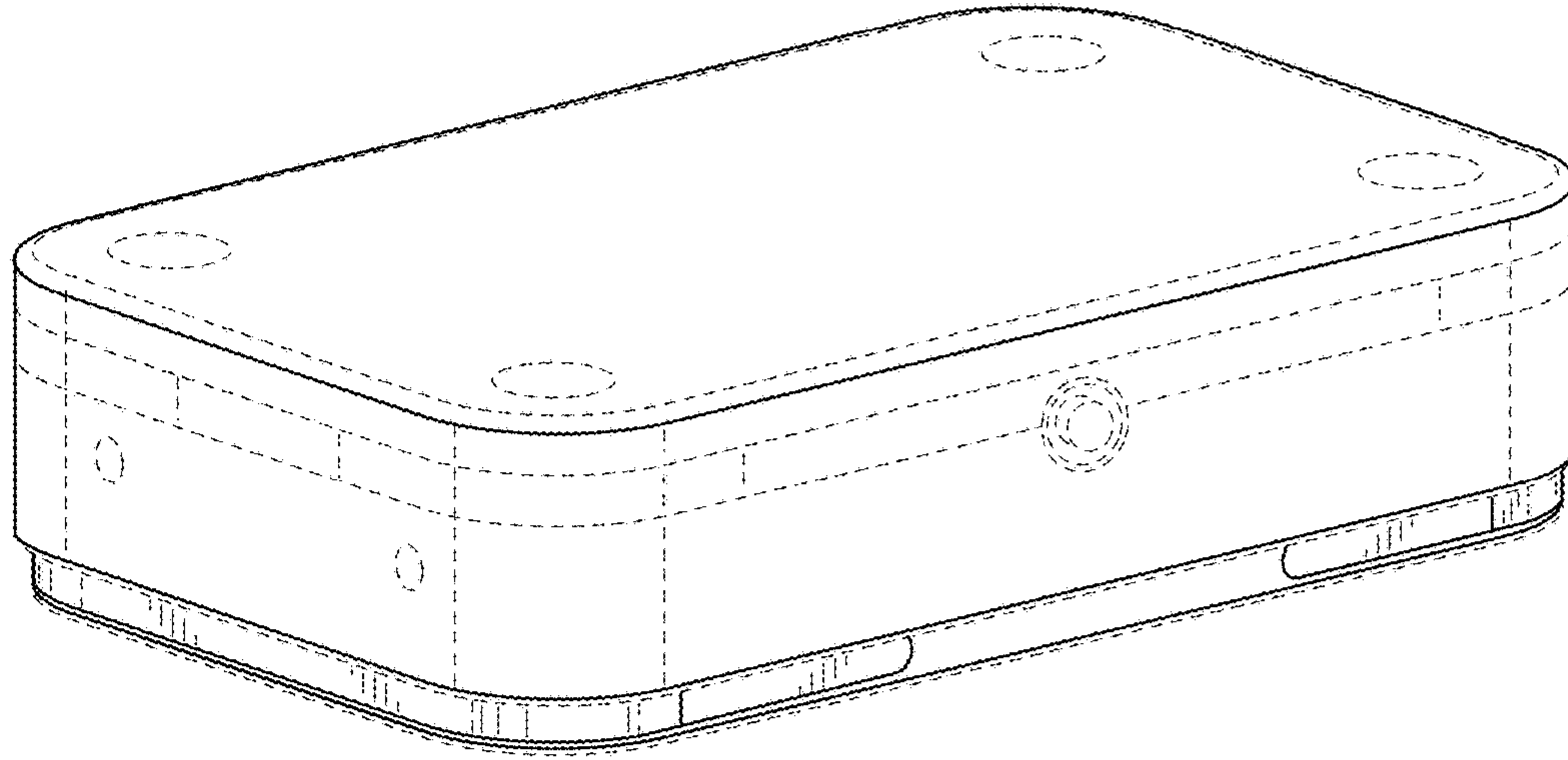




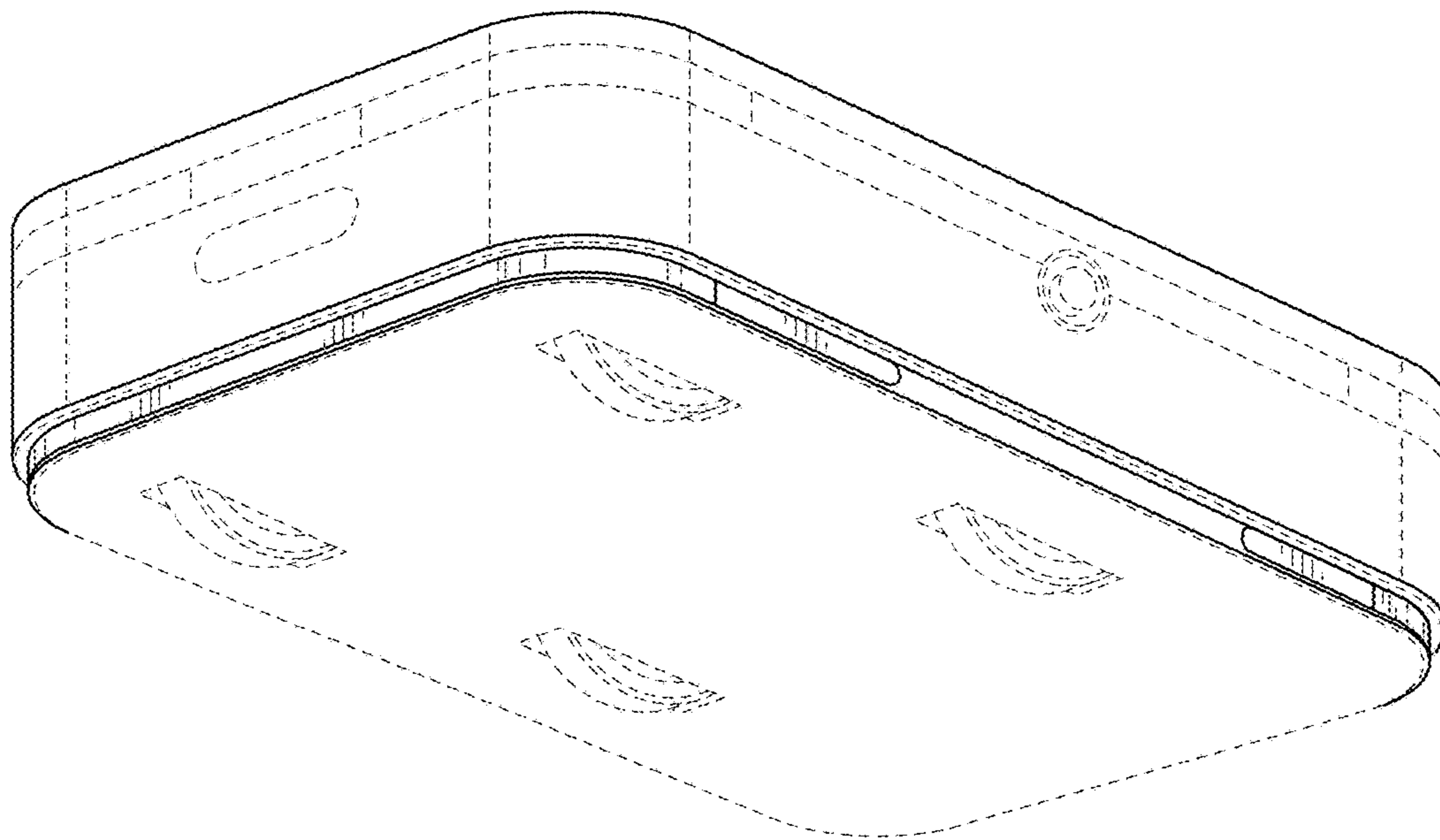
**FIG. 7**



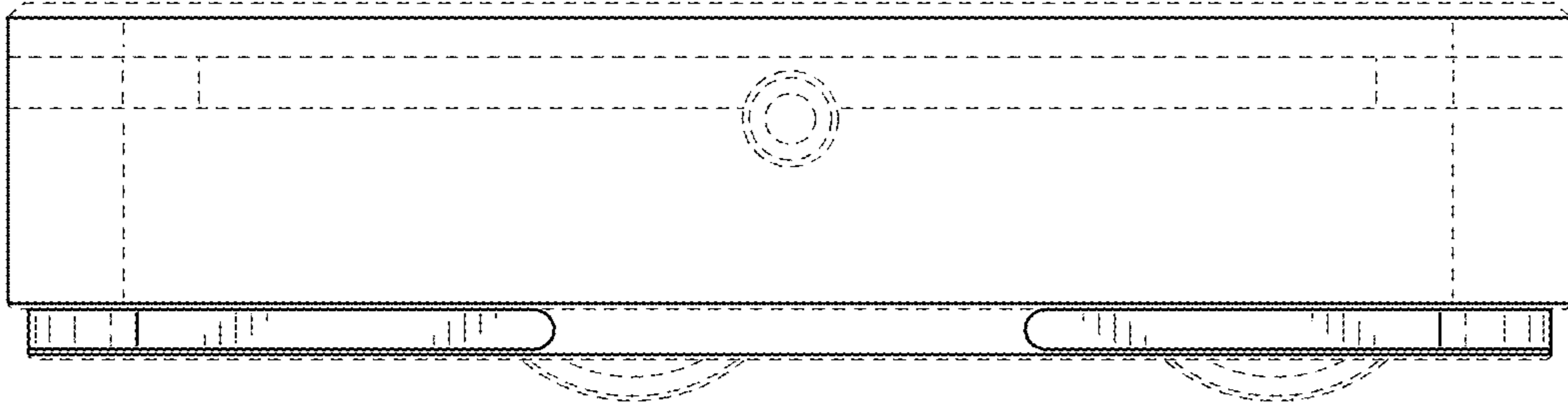
**FIG. 8**



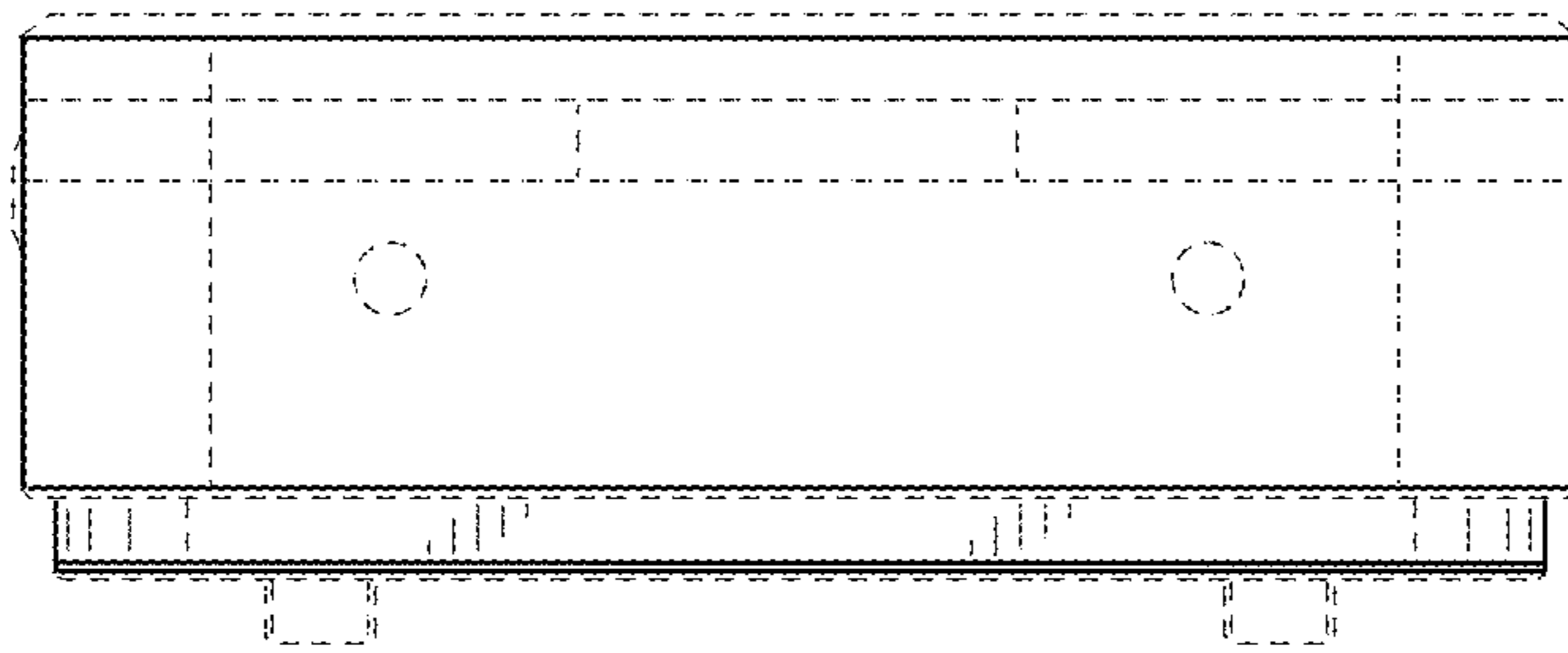
**FIG. 9**



**FIG. 10**

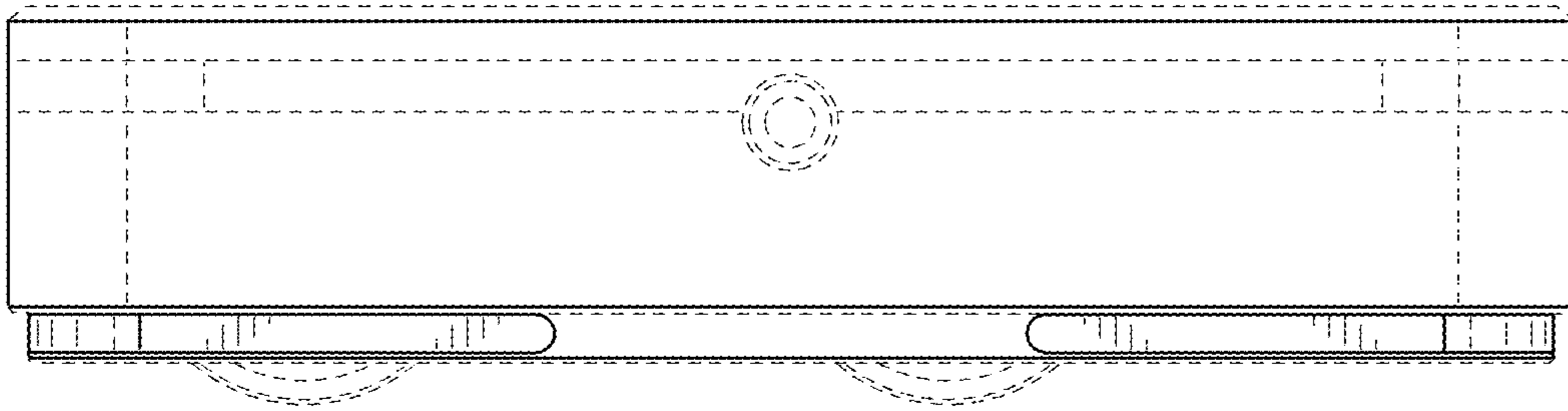


**FIG. 11**

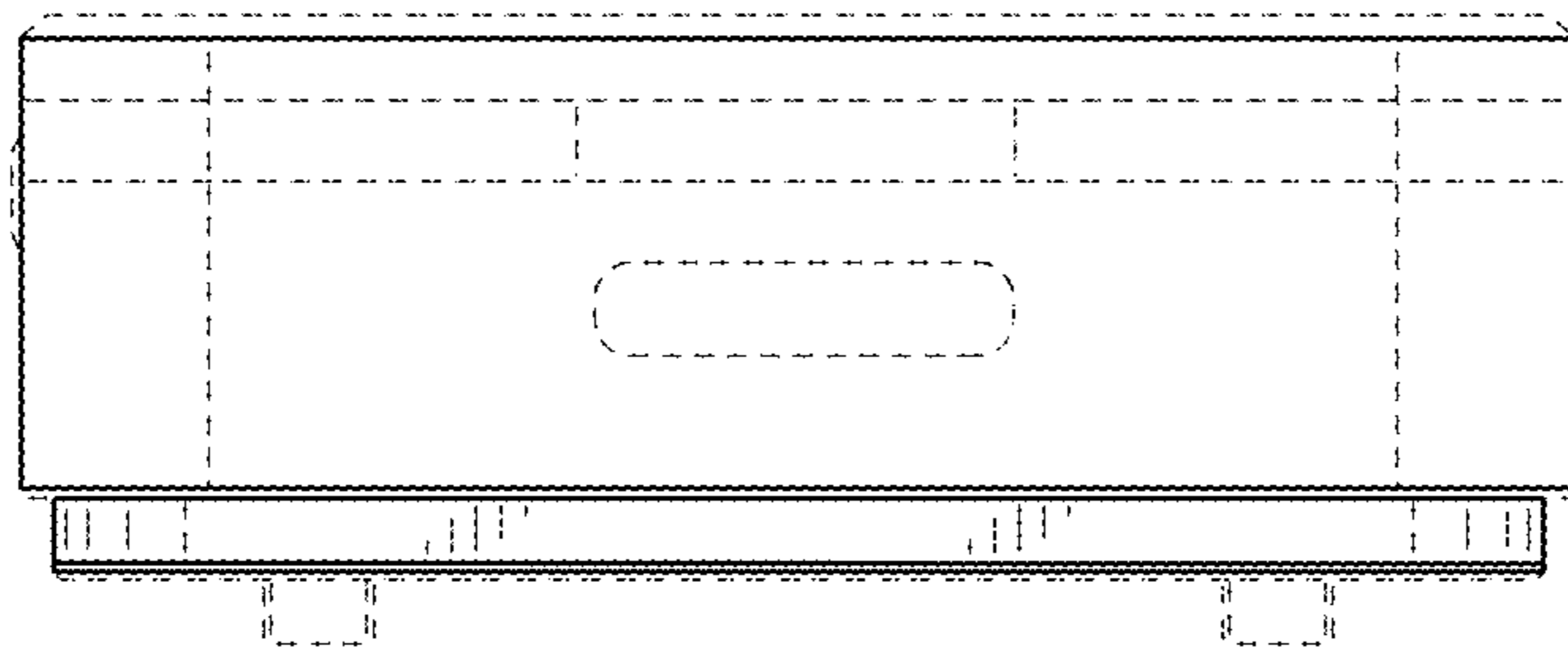


**FIG. 12**





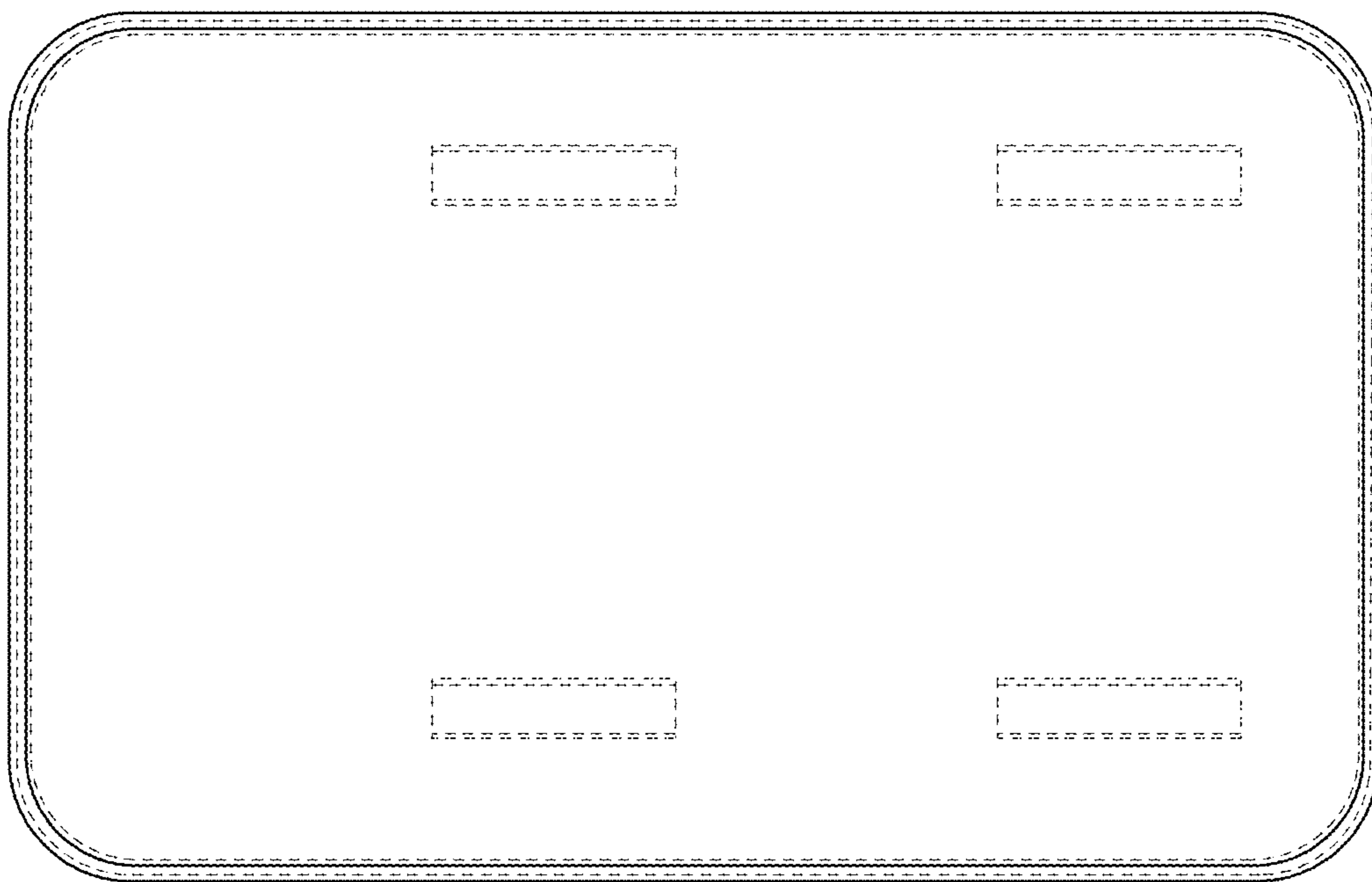
**FIG. 13**



**FIG. 14**



**FIG. 15**



**FIG. 16**