



US00D812660S

(12) **United States Design Patent** (10) **Patent No.:** **US D812,660 S**
Needel et al. (45) **Date of Patent:** **** Mar. 13, 2018**

(54) **BEARING PILLOW BRACKET**
(71) Applicant: **DEKA Products Limited Partnership**,
Manchester, NH (US)
(72) Inventors: **Gregory Needel**, Dallas, TX (US);
William D. Hunt, Gilmanon, NH
(US); **Daniel S. Karol**, Southborough,
MA (US)
(73) Assignee: **DEKA Products Limited Partnership**,
Manchester, NH (US)

D341,607 S * 11/1993 Waskiewicz D15/143
D343,179 S * 1/1994 Waskiewicz D15/143
5,395,171 A * 3/1995 Waskiewicz F16C 23/084
384/277
D367,069 S * 2/1996 Thom, Jr. D15/143
D376,160 S * 12/1996 Waskiewicz D15/143
5,836,702 A * 11/1998 Whiddon F16C 23/086
384/428
D427,217 S * 6/2000 Ostling D15/143
6,089,758 A * 7/2000 Ward F16C 35/047
384/537
6,623,169 B2 * 9/2003 Ward F16C 23/084
384/438

(Continued)

(**) Term: **15 Years**
(21) Appl. No.: **29/572,414**
(22) Filed: **Jul. 27, 2016**
(51) **LOC (11) Cl.** **15-09**
(52) **U.S. Cl.**
USPC **D15/143**
(58) **Field of Classification Search**
USPC D15/143, 123, 7-9; 308/15, 74; 384/29,
384/38, 43, 57, 537, 428-444, 448, 541,
384/412, 447
CPC F16C 23/084; F16C 23/08; F16C 23/00;
F16C 33/00; F16C 27/00; F16C 35/045;
F16C 35/047; F16C 35/04; F16C 19/06;
Y10S 384/908; Y10S 384/909
See application file for complete search history.

OTHER PUBLICATIONS

VEX Pillow Block Bearing & Lock Bar Pack—Vex Robotics
(<https://www.vexrobotics.com/>) <http://www.robotmesh.com/vex-robotics/structure/vex-pillow-block-bearing-lock-bar-pack> © 2016
Robot Mesh; Robot Mesh is a division of Keep I.T. Easy LLC (1
page).

(Continued)

Primary Examiner — Mark Goodwin
(74) *Attorney, Agent, or Firm* — Kathleen Chapman

(57) **CLAIM**

The ornamental design of a bearing pillow bracket, as shown
and described.

DESCRIPTION

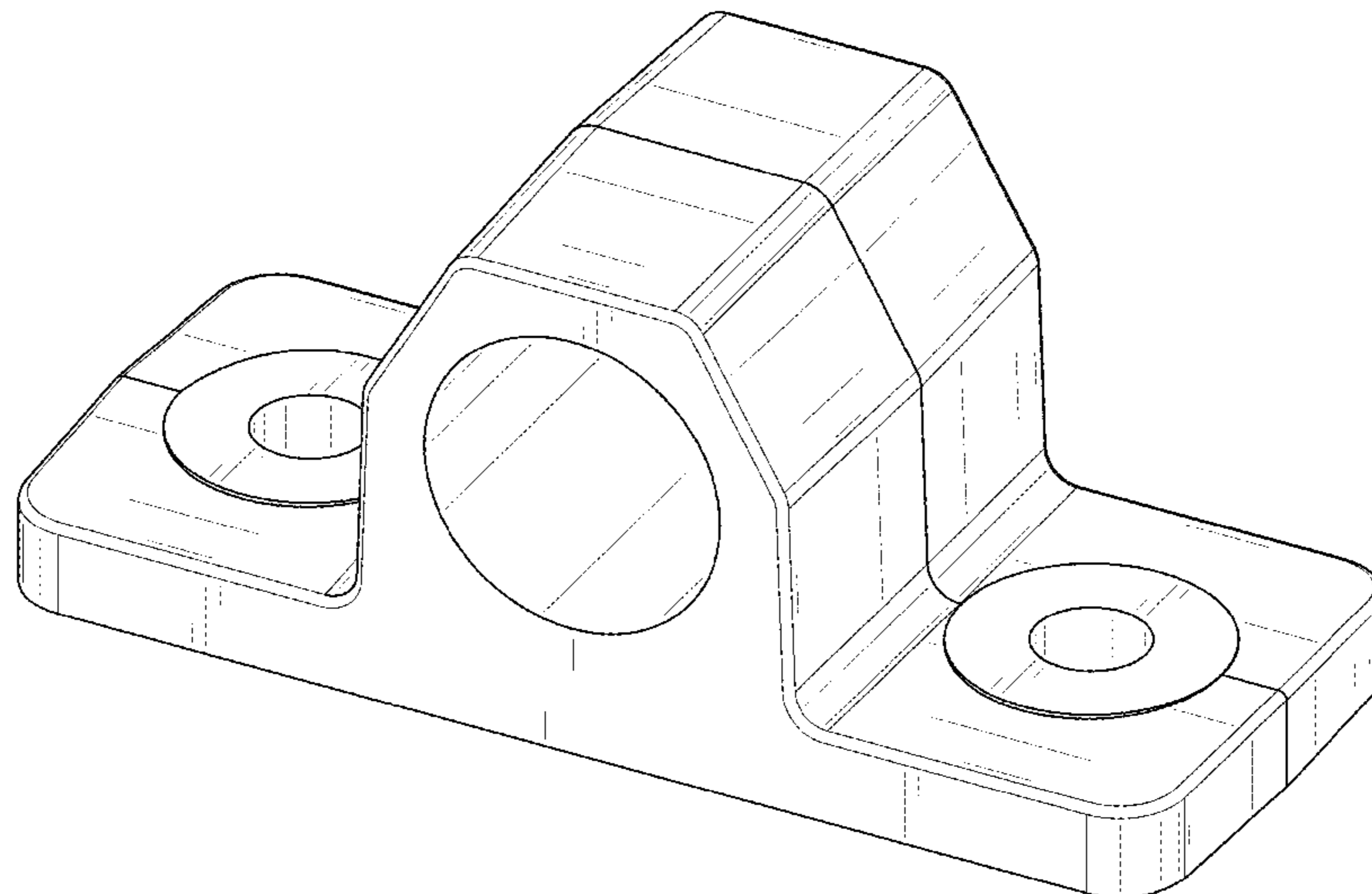
FIG. 1 is a front, top, right side perspective view of the
bearing pillow bracket, showing our new design;
FIG. 2 is a front side elevational view thereof;
FIG. 3 is a rear side elevational view thereof;
FIG. 4 is a left side elevational view thereof;
FIG. 5 is a right side elevational view thereof;
FIG. 6 is a top plan view thereof; and,
FIG. 7 is a bottom plan view thereof.

1 Claim, 6 Drawing Sheets

(56) **References Cited**

U.S. PATENT DOCUMENTS

3,873,167 A * 3/1975 Anderson F16C 23/084
384/495
3,936,099 A * 2/1976 Braun F16C 23/084
384/537
4,005,917 A * 2/1977 Richardson F16C 35/04
384/432
D269,786 S * 7/1983 Ostling D15/143
D339,595 S * 9/1993 Waskiewicz D15/138
D341,605 S * 11/1993 Waskiewicz D15/143



(56)

References Cited

U.S. PATENT DOCUMENTS

D616,004 S * 5/2010 Andersson D15/143
D716,352 S * 10/2014 Jansson D15/123

OTHER PUBLICATIONS

Pillow Bracket—Craftex Cleaning Systems (<http://www.craftexcleaningsystems.co.uk/>) <http://www.craftexcleaningsystems.co.uk/spare-parts-accessories-c3/machine-spare-parts-c95/piliow-bracket-p3816> © 2017 Craftex Cleaning Systems (1 page).

* cited by examiner

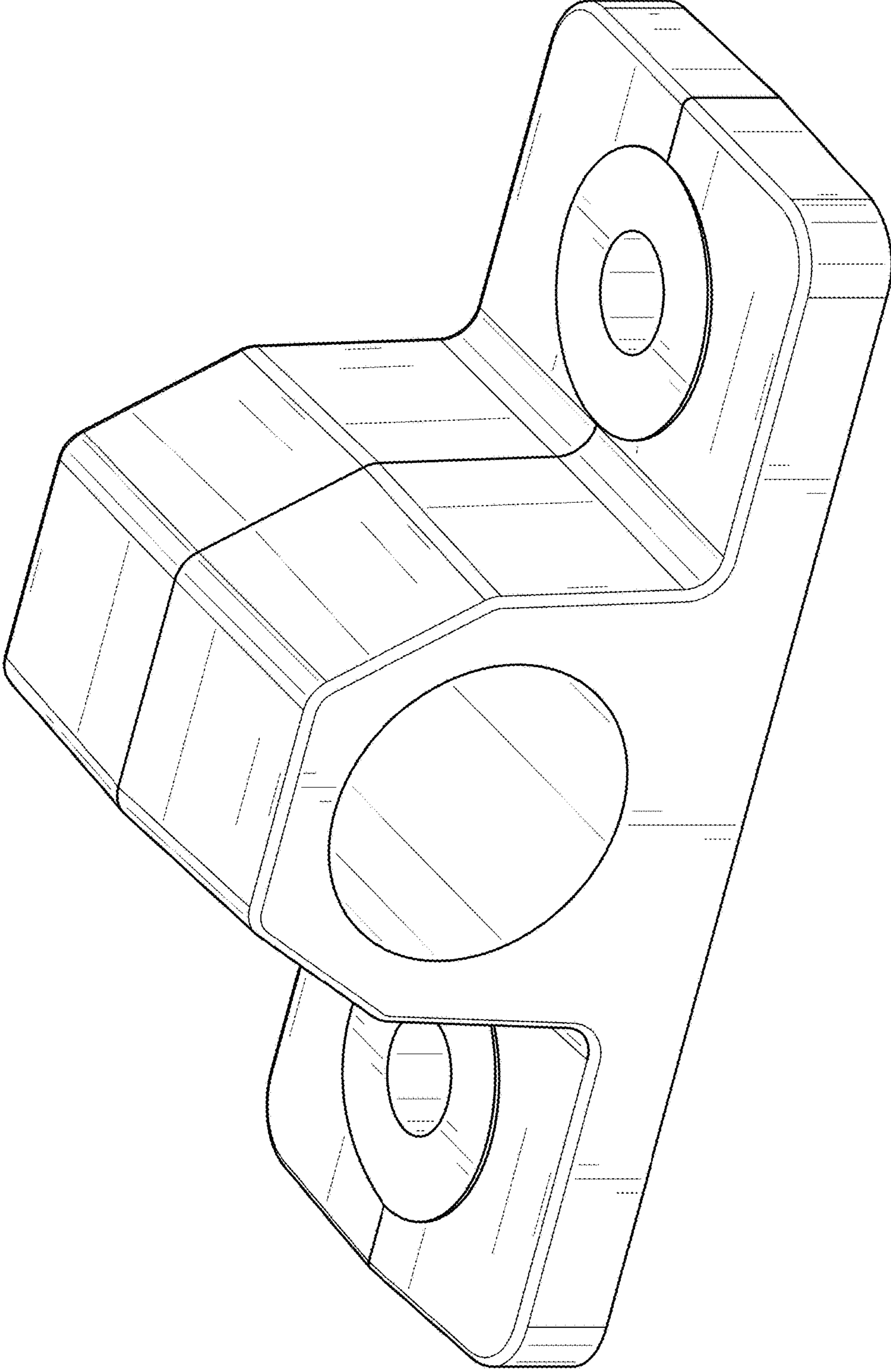


FIG. 1

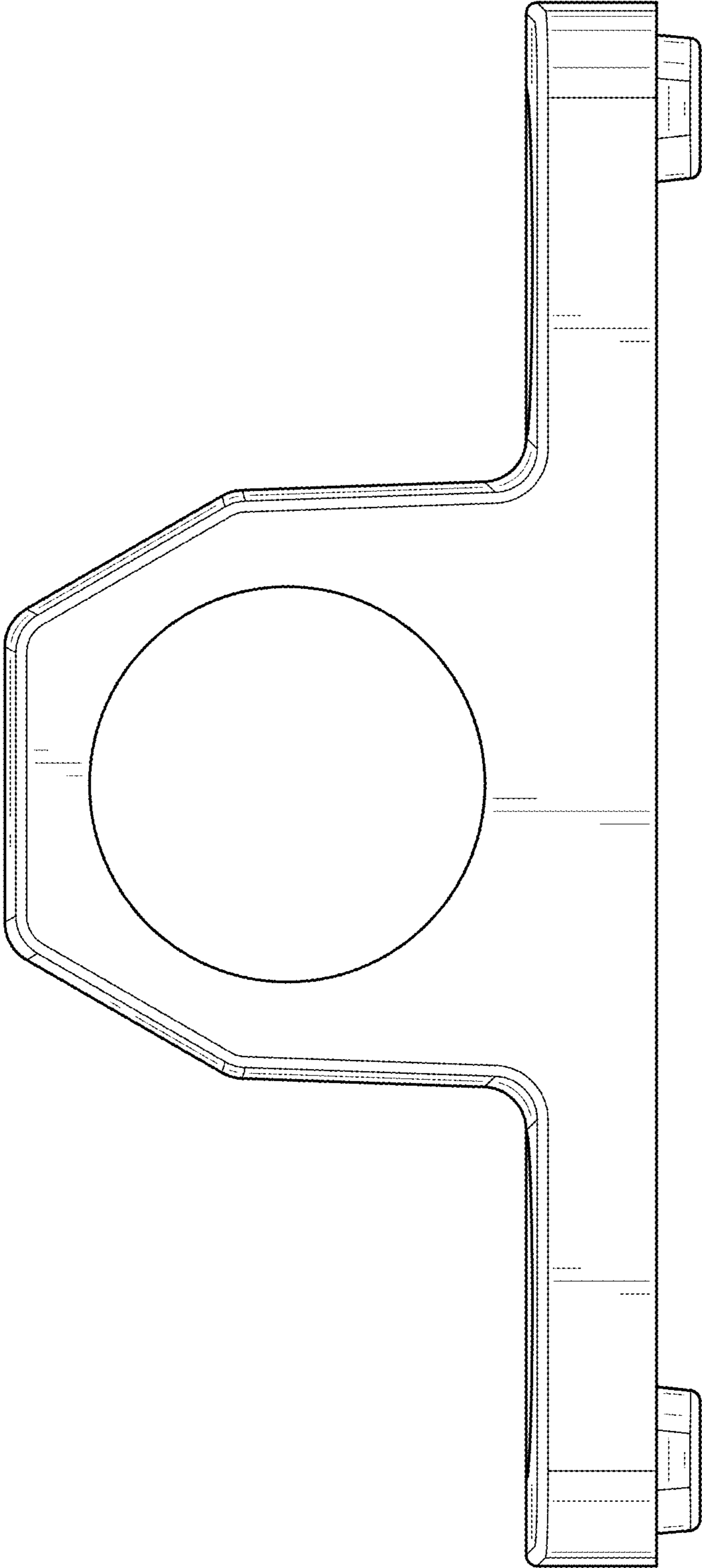


FIG. 2

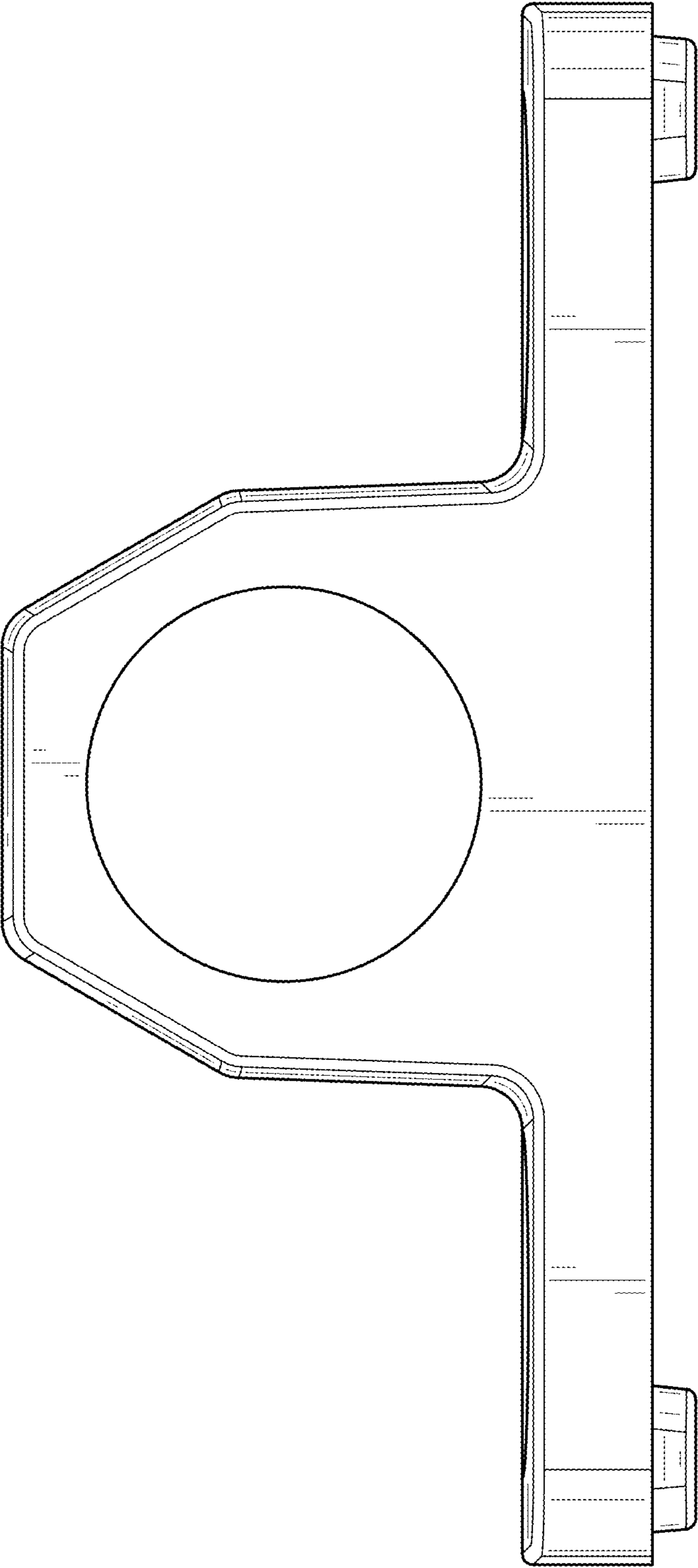


FIG. 3

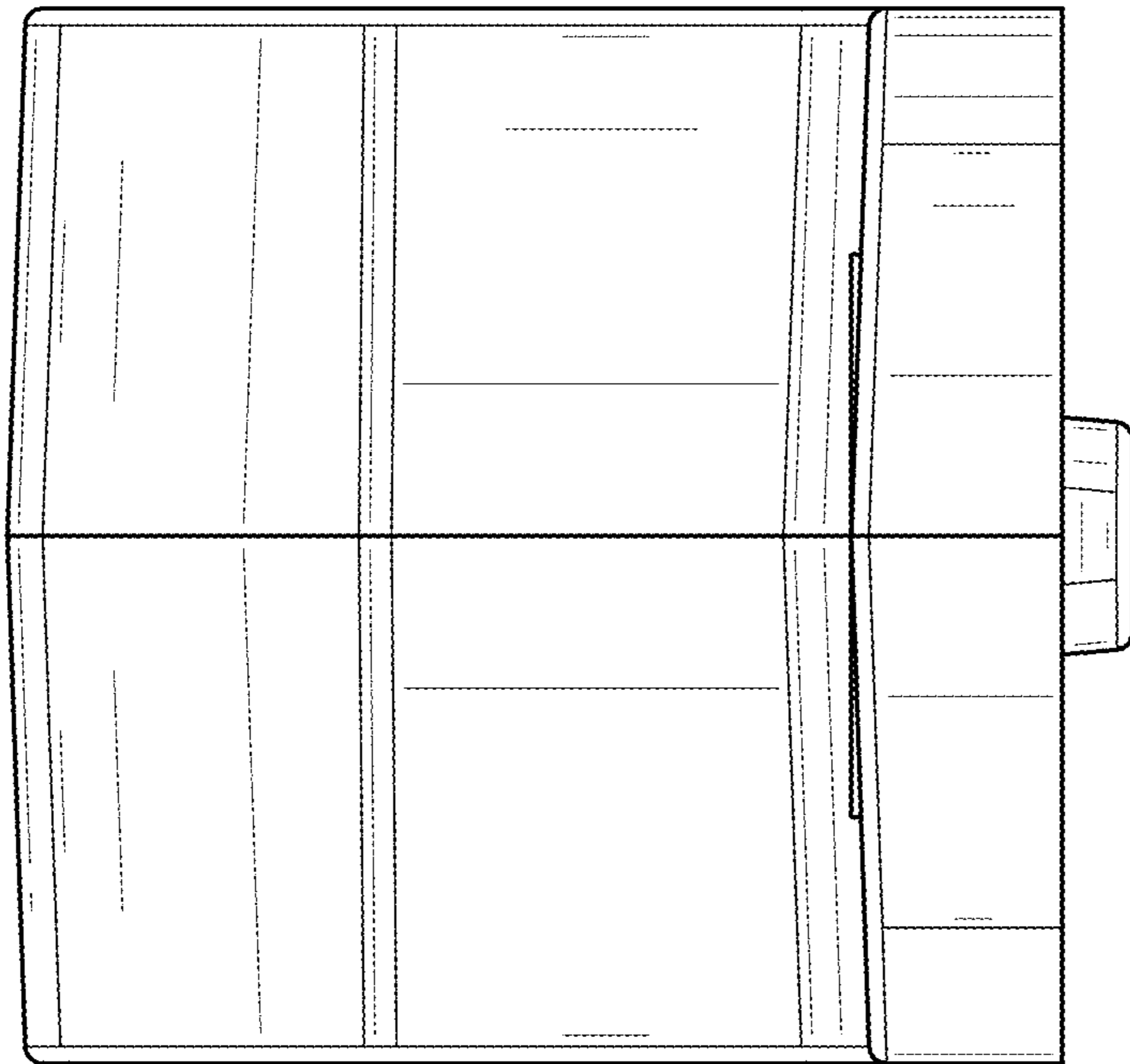


FIG. 5

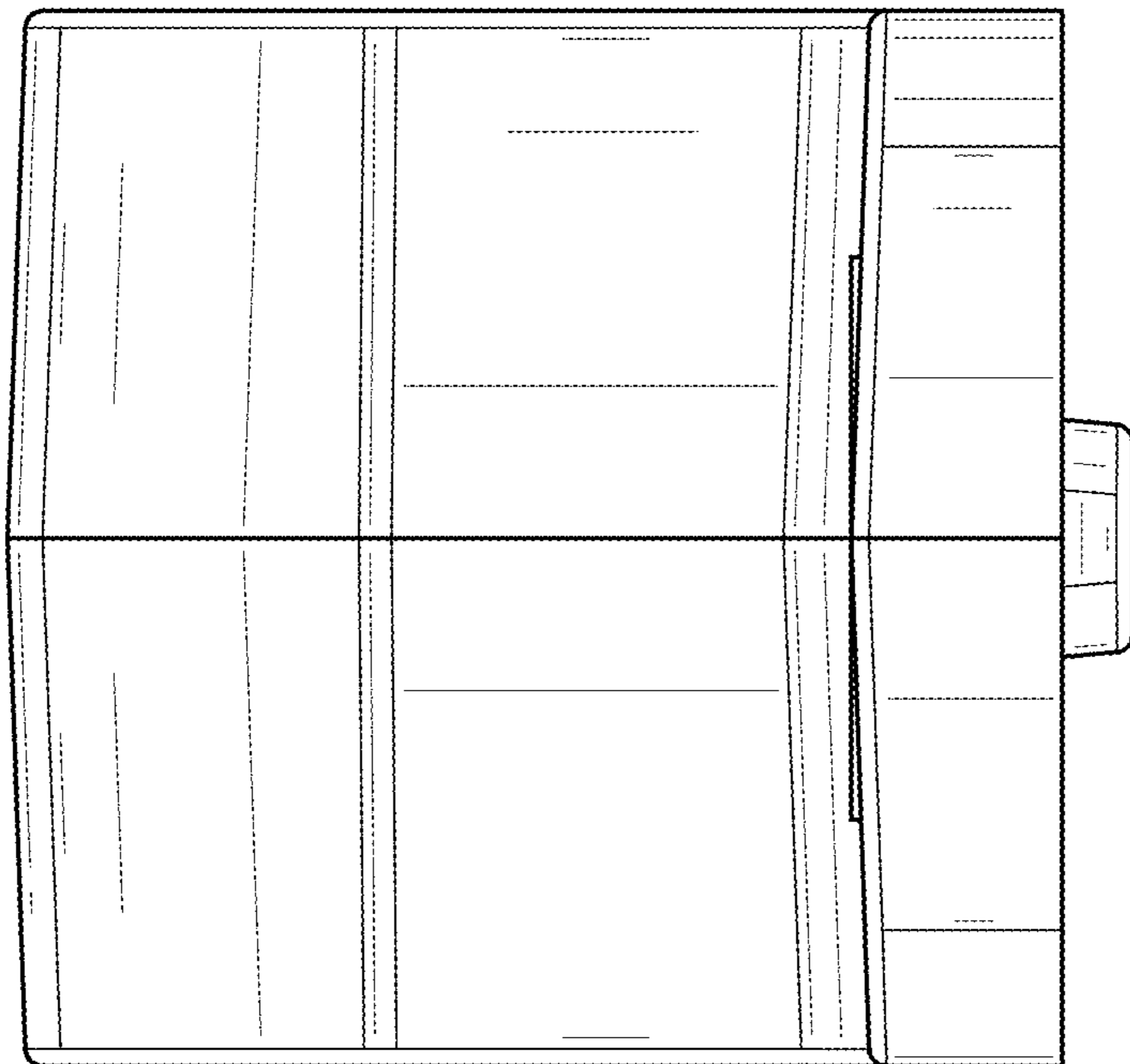


FIG. 4

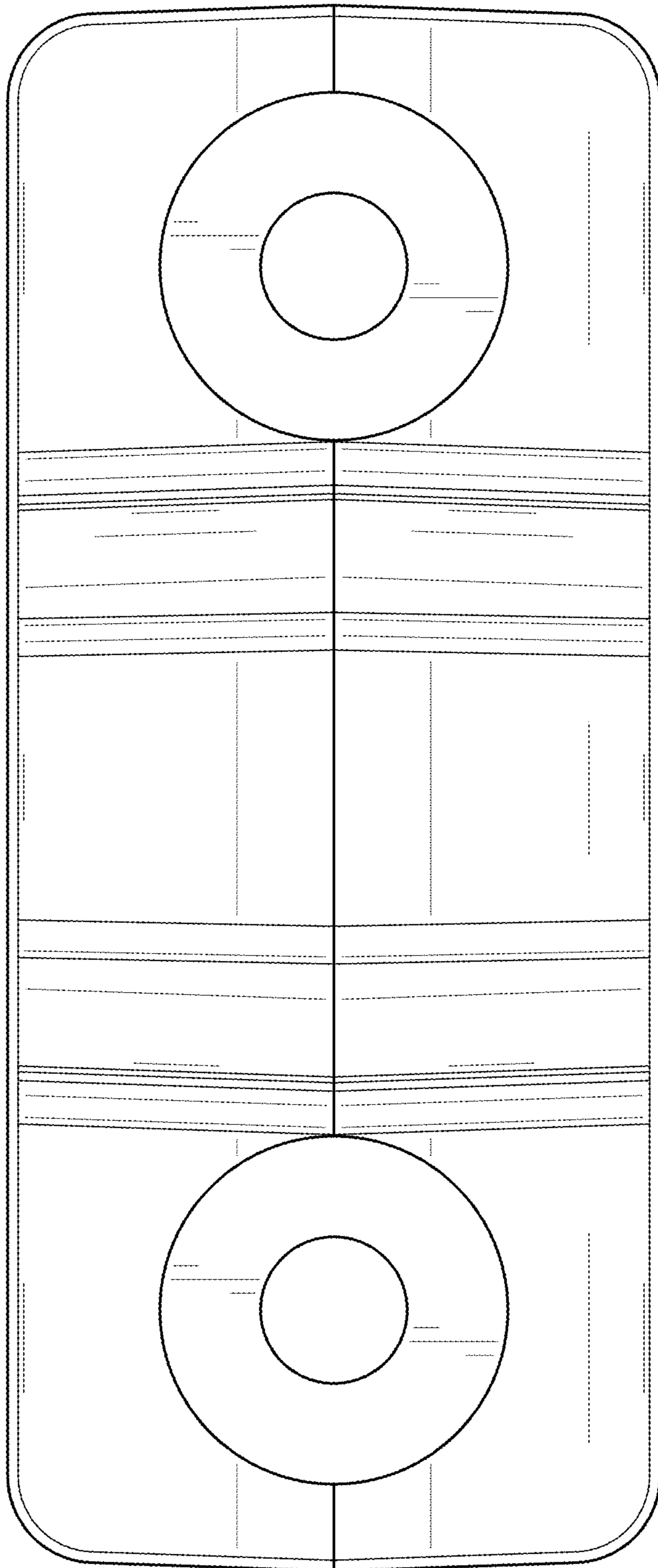


FIG. 6

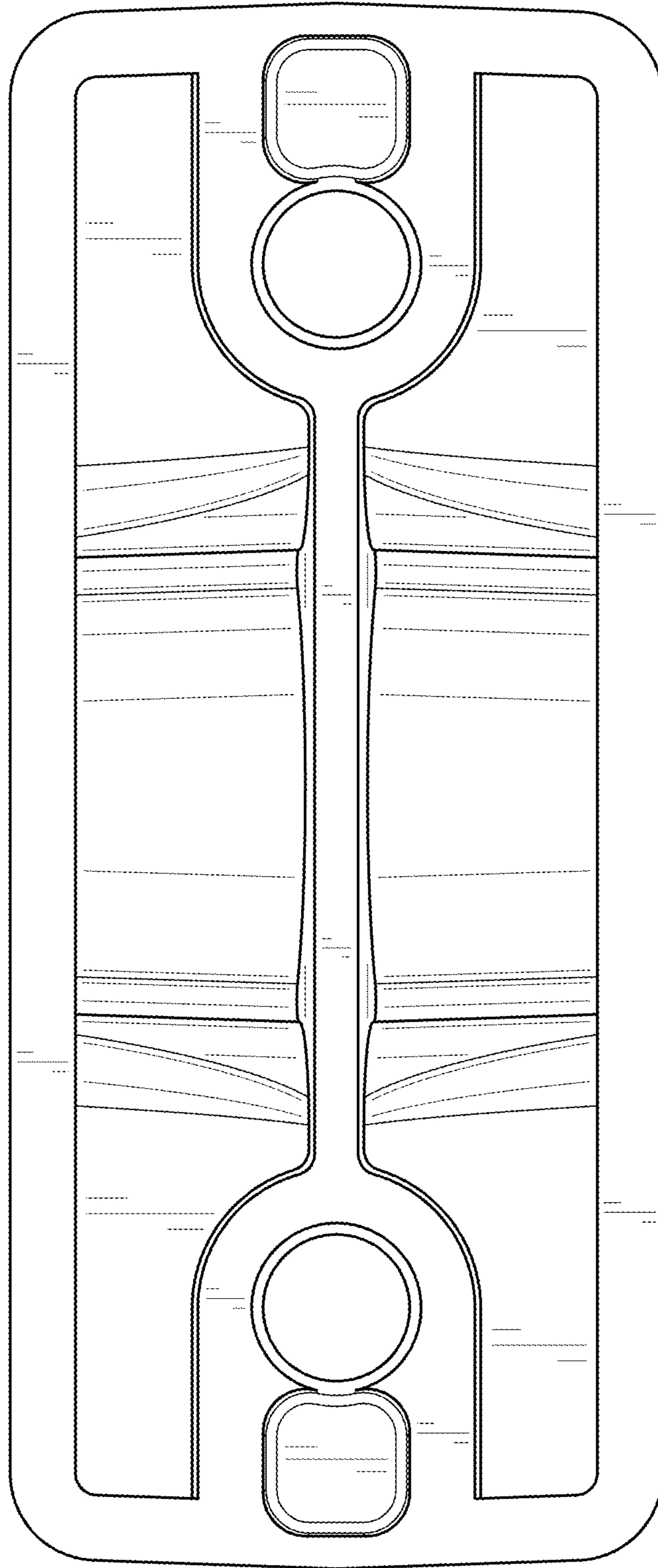


FIG. 7